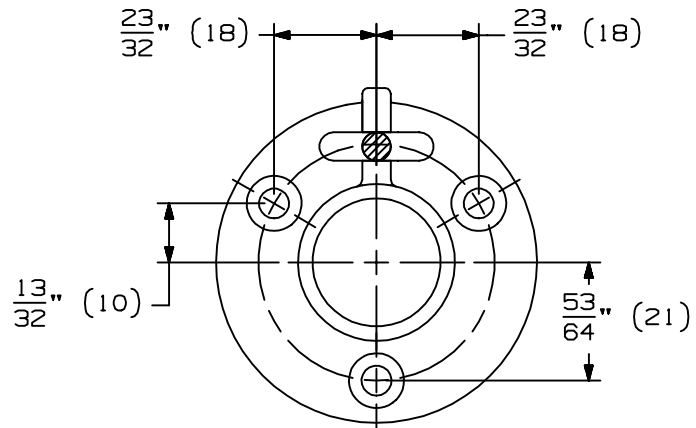


WS445



WS449

**INSTRUCTIONS:**

1. OPEN DOOR TO DESIRED POSITION.
2. PLACE STRIKE AND HOLDER IN DESIRED LOCATION.
3. LOCATE MOUNTING HOLES FOR BOTH THE STRIKE AND THE BODY.
4. PREPARE MOUNTING HOLES AS NECESSARY.
5. INSTALL BODY AND STRIKE.

	QTY	SCREW DETAILS
WS445 BODY	1	3/8"-12 THREADED STUD
	1	LEAD EXP SHIELD
	1	#8 X 1" OPHWS
WS449 BODY	3	#12 X 1 1/4" OPHWS
	3	#12 PLASTIC SHIELD
STRIKE	2	#8 X 1" OPHSMS



WS445 & WS449  
MANUAL WALL HOLDER  
INSTALLATION TEMPLATE



NOTE: DIMENSIONS IN ( ) ARE MILLIMETERS.

TEMPLATE INST. WS445-449\_0  
NUMBER:

DATE:  
09-01-01