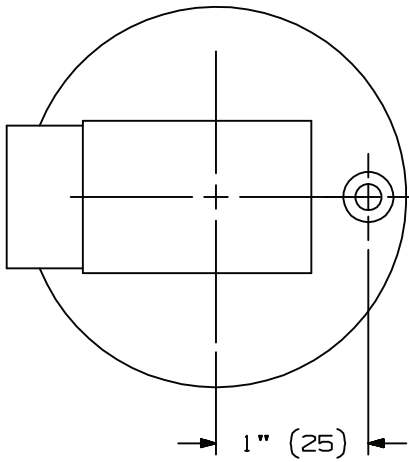
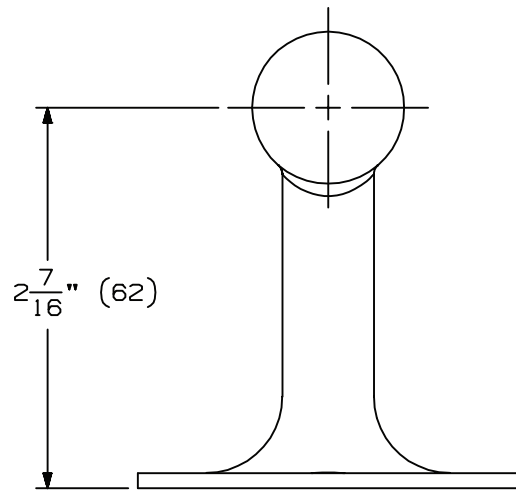
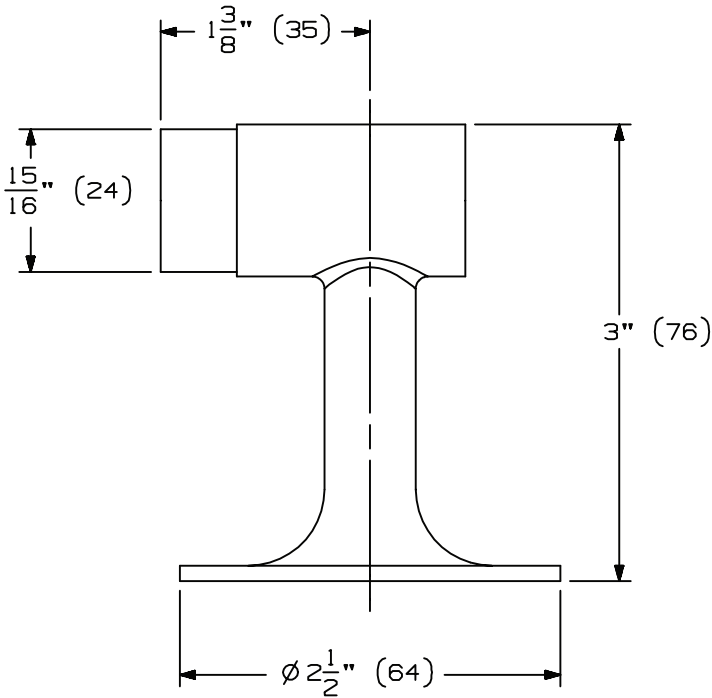
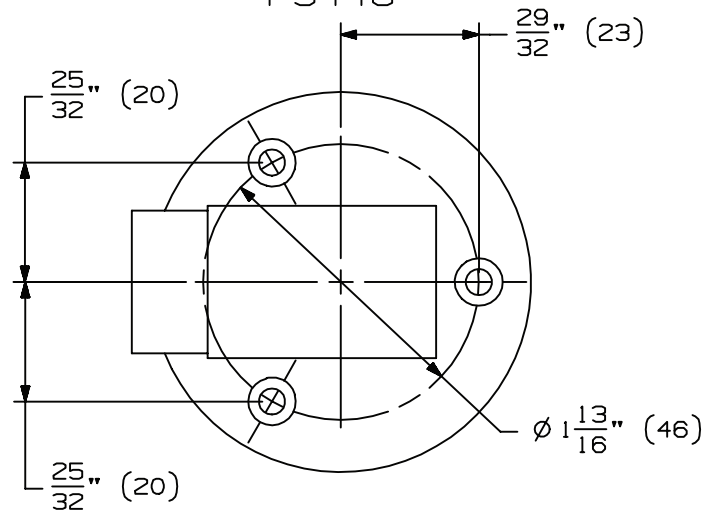


FS444



FS448



**INSTRUCTIONS:**

1. PLACE BUMPER IN DESIRED LOCATION & LOCATE MOUNTING HOLES.
2. PREPARE MOUNTING HOLES.
3. INSTALL FLOOR STOP.

FS448	3	#12 X 1 1/4" OPHWS
FS444	1	3/8-12 THREADED STUD
	1	LEAD EXPANSION SHIELD (1/2" DIA. X 2-1/4")
	1	#8 X 1" OPHWS
	1	#8 LEAD ANCHOR

**IVES**

FS444 & FS448 FLOOR STOP  
INSTALLATION INSTRUCTIONS

**ALLEGION**

NOTE: DIMENSIONS IN ( ) ARE IN MILLIMETERS

TEMPLATE  
NUMBER: INST.FS444-448\_b

Date:  
07-29-14