



# COR7G, COR9G

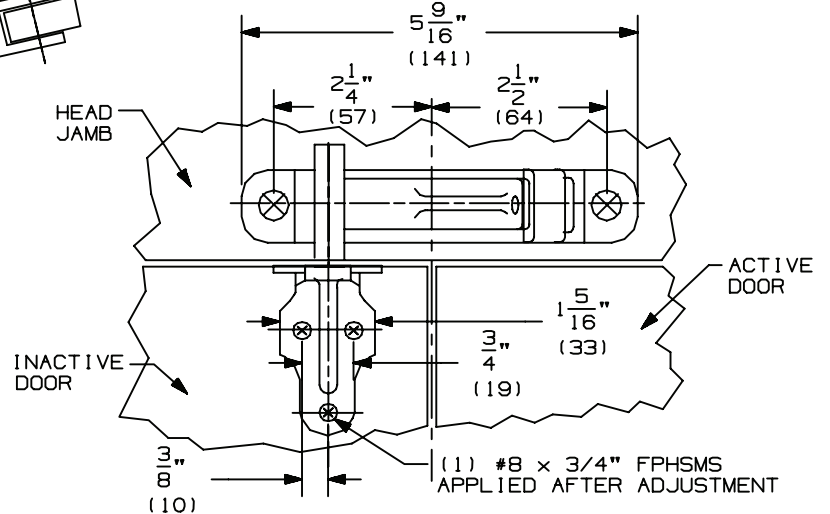
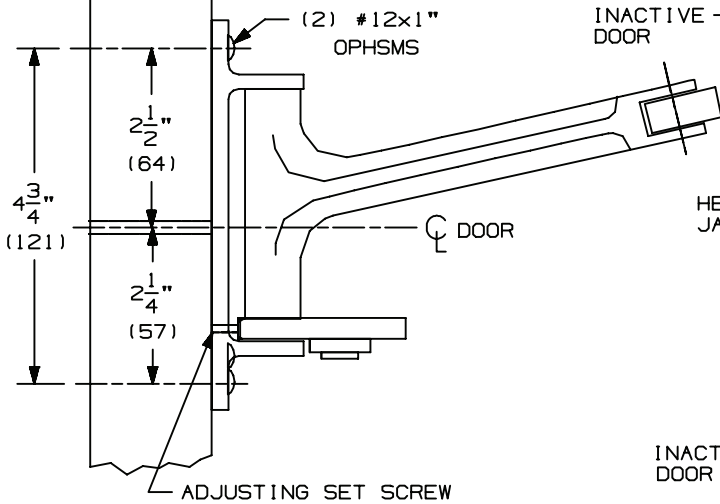
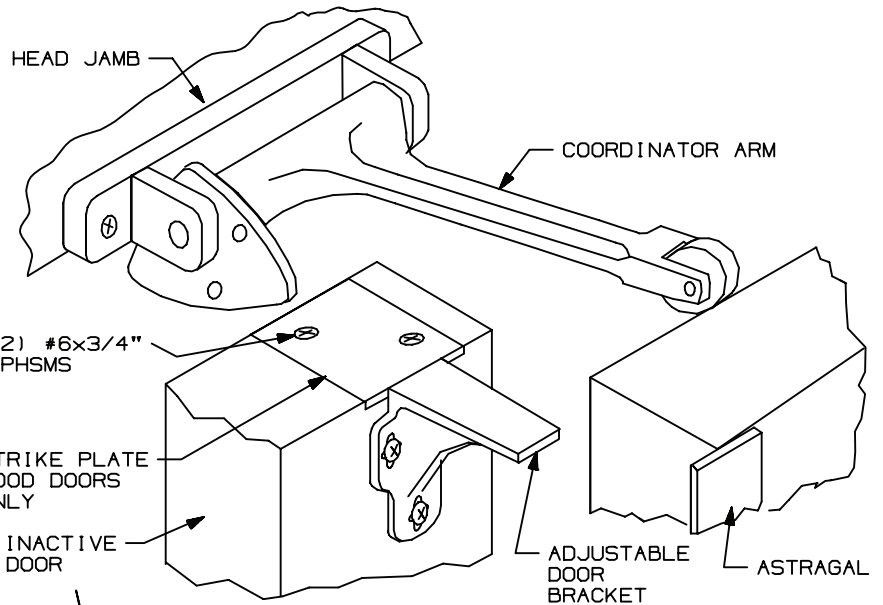
# IVES

## INST.CORG

### Gravity Coordinator

### Installation Instructions

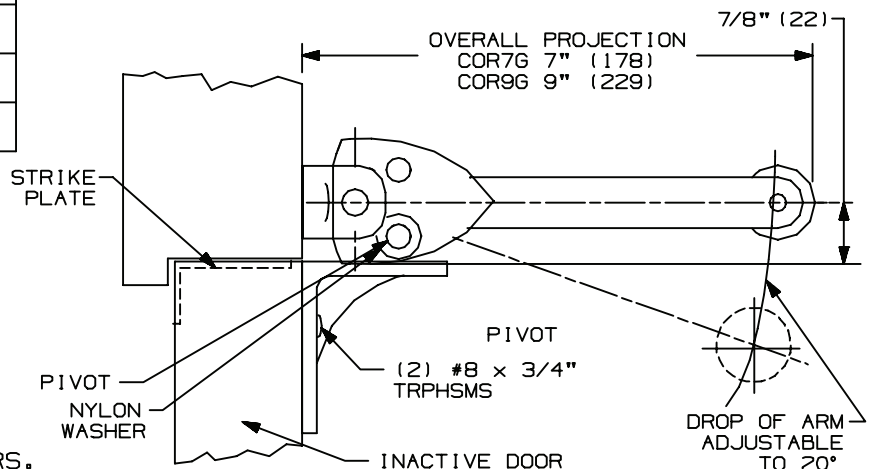
COORDINATING DEVICE FOR USE ON DOORS SWINGING IN PAIRS WITH OR WITHOUT OVERLAPPING ASTRAGAL. NON-HANDED. HOLDS ACTIVE DOOR, PREVENTING IT FROM CLOSING BEFORE THE INACTIVE DOOR. HELPS PROTECT THE ASTRAGAL. GRAVITY ACTION ARM ADJUSTABLE ON TOP.



	QTY	SCREW DETAILS
COORDINATOR	2	10-24 X 1" UFPHMS
	2	10 X 1" OPHSMS
DOOR BRACKET	2	8 X 1" FPHSMS
STRIKE PLATE	2	8 X 1" FPHSMS

**PIVOT WASHER INSTALLATION:** INSTALL HALF-THREADED PIVOT AND NYLON WASHER INTO DRILLED AND TAPPED HOLE ON OUTSIDE OF COR SHORT ARM. USE HOLE NEAREST TOP OF DOOR, SO WHEN INSTALLED, NYLON WASHER WILL RIDE OVER STRIKE PLATE AS INACTIVE DOOR CLOSES

NOTES: DIMENSIONS IN ( ) ARE MILLIMETERS.



**Customer Service**  
1-877-671-7011 www.allegion.com/us



© Allegion 2014  
Printed in U.S.A.  
INST.CORG Rev. 01/14-b