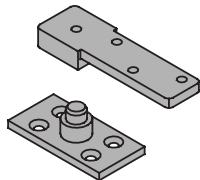
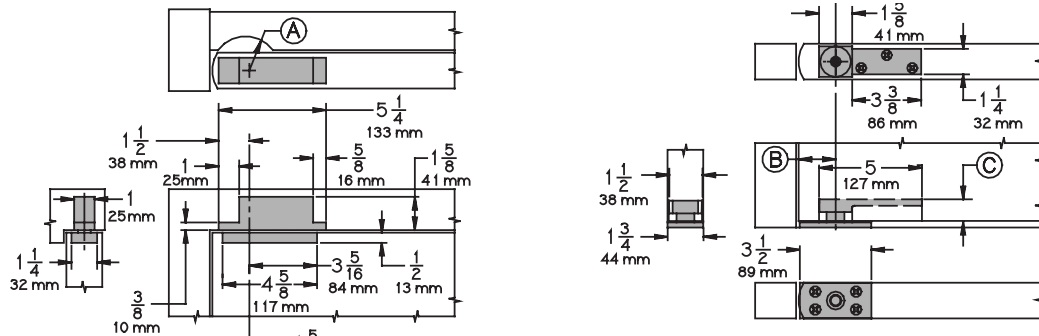


7255 Center Hung Pivot

- Non-Handed
- Top, header mount
- Bottom, base plate mount
- Easy installation tilt on bearing and bearing pin.
- Use with 1-3/4" minimum door thickness.
- Adjustable floor to door clearance 3/16" to 3/4", consultant factory if greater than 3/4"..
- Maximum door load 500 pounds
- Vertical adjustment range 3/16", with positive locking

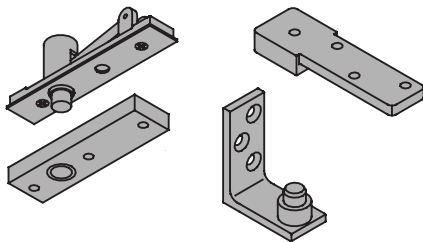


Meets ANSI/BHMA A156.4 C07032



- Radius Stop (A) to clear heel of door edge.
- Pivot distance (B) 1-3/4" (44mm) minimum from jamb to centerline of pivot pin. Radius heel edge of door, 1-5/8" (41mm) minimum recommended.
- Clearance from bottom edge of door to floor mounting surface is adjustable from 3/16" (5mm) to 3/4" (19mm) by varying the depth of the mortise (C) in the bottom of the door, refer to Chart D. Consult factory when clearance is over 3/4" (19mm).

7255J Center Hung Pivot



Meets ANSI/BHMA A156.4 C07042

- Non-Handed
- Top, header mount
- Bottom, jamb mount
- Easy installation tilt on bearing and bearing pin.
- Use with 1-3/4" minimum door thickness.
- Adjustable floor to door clearance 3/16" to 3/4", consult factory if greater than 3/4".
- Maximum door load 500 pounds
- Vertical adjustment range 3/16", with positive locking

