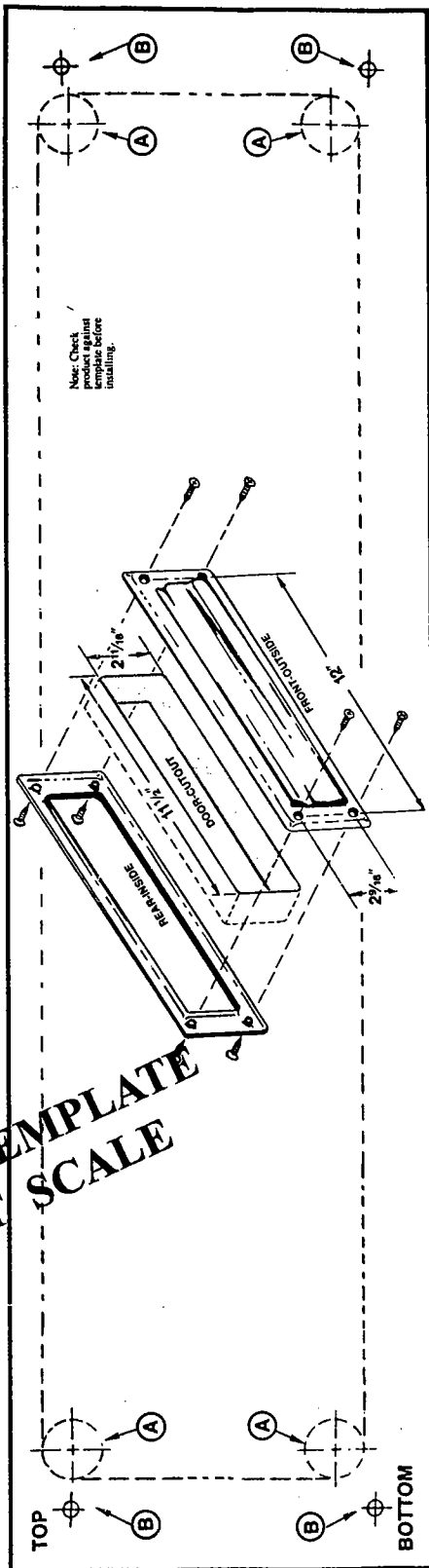


MAIL SLOT

FOR USE ON EXTERIOR AND INTERIOR DOORS OF HOMES, CONDOMINIUMS, APARTMENTS AND OFFICES. FEATURES A SPRING-LOADED FRONT PLATE WITH INTERLOCKING FLAP AND FRAME ASSURING WEATHERITE™ CLOSING, AND A COVERED BACK PLATE WHICH COVERS DOOR CUTOUT, REDUCES DRAFT, PROVIDES ADDED SECURITY, AND ENHANCES PRODUCT APPEARANCE.

**NOT A TEMPLATE
DO NOT SCALE**



Note: Check product against door before installing.

INSTALLATION INSTRUCTIONS

TOOLS REQUIRED: Drill, 1/2" spade bit and 1/8" drill bit, sabre saw, Phillips screwdriver and pencil.

1. Position template on flat surface in center of door approximately .36" from bottom of door and mark four circle centers (A) and four screw holes (B).
2. Using 1/2" spade bit, drill four circle centers (A) from front of door to a depth that allows spade bit tip to penetrate back of door, then finish hole by drilling from back of door. Mark horizontal and vertical dotted cut-out lines of opening from hole to hole.

MAINTENANCE INSTRUCTIONS

H.B. Ives Sullid Reseal products have a clear protective lacquer coating which helps prevent discoloration. Do not use abrasive waxes or cleaners.

ASK FOR OTHER FINE DECORATIVE HARDWARE BY H.B. IVES



3. Using sabre saw, cut out opening.
4. Drill pilot holes for screws with 1/8" drill bit approximately 1/2" deep. Secure front plate.
5. Place back plate over opening on inside of door. Make sure that flap can be lifted, and closes freely. Mark screw holes and drill pilot holes with 1/8" drill bit and secure.

*Ask for IVES #601 sleeve to cover rough edges of cutout on solid or hollow core wood and/or metal doors.