



**224HD Full Mortise Aluminum Geared Continuous Hinge**

- Handing required when modified
- Door Edge Protector
- 48" Maximum Door Width
- 1/16" Door Inset
- Beveled or Square Edge Doors

For Doors Weighing up to 450 pounds without reinforcing, 600 pounds with reinforcing

Standard lengths 83", 85", 95", 120"

**Standard Mounting Hardware**

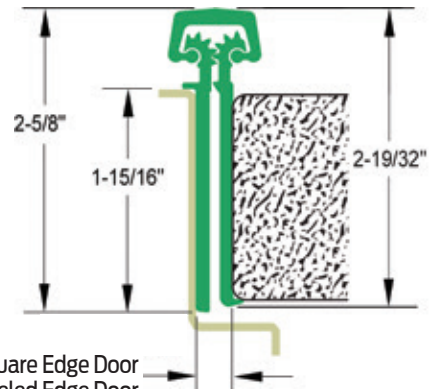
12-24 X 3/4" Steel Self Drilling, Self Tapping Screws

Optional WD - Wood Screws or SEC - Security Fasteners Available

**Finishes**

Clear (CL), Dark Bronze (DB)

Custom Anodizing and Painting are available, consult factory.



5/16" Clearance for Square Edge Door  
1/32" Clearance For Beveled Edge Door

**Electrical Cutouts**

Ives Aluminum Geared Continuous Hinges are available with factory modified cutouts to accommodate most electrical frame to door requirements. Special templates are required.

When ordering indicate the following:

1. Opening size.
2. Handing. LH, RH, RHR or LHR.
3. Manufacturer and model number of the electrical product being used. Example; Von Duprin EPT2

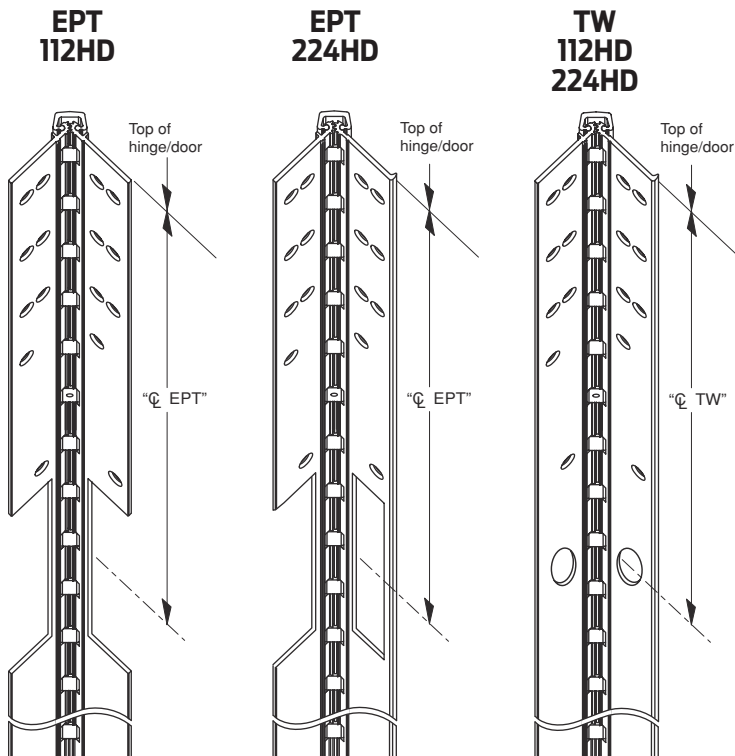
Because clearances may vary between door and frame manufacturer, and locations can be influenced by the door hardware it is always recommend contacting Ives Customer Technical for specific template information.

For your general information below are standard locations for Von Duprin EPT2 or EPT10, and monitor switch.

From Top Edge of Door to Center Line of Cut-Out

Standard Length	112HD EPT	224HD EPT	112HD/224HD TW
83"	30"	30"	41-1/2"
85"	32"	32"	42-1/2"
95"	42"	42"	57-3/4"
120"	67"	67"	81-25/32"

TWP option centered in hinge.



Note: See ordering guide in price book for proper placement.