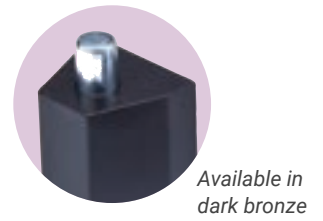


Pivots

Offset Pivots – For Aluminum Doors and Frames

- Die cast aluminum construction
- Full race ball bearing incorporated into bottom pivot portion
- Weight of door rests on floor mounted pivot portion; no sag
- Easily replaceable from inside door
- Theft resistant, weatherproof
- 1/8" (3.18 mm) vertical adjustment
- Available in two finishes; special order finishes available upon request
- Sets include fasteners
- Also available in dark bronze



IL-OP-10 Series – Vista Wall® & Old Castle® Style Doors

Flush Door Pivot and 1/8" (3.18 mm) Recessed Pivot Sets

Flush Pivot Sets

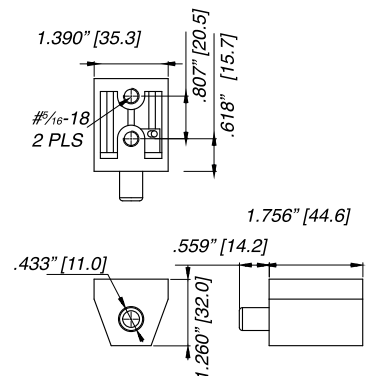
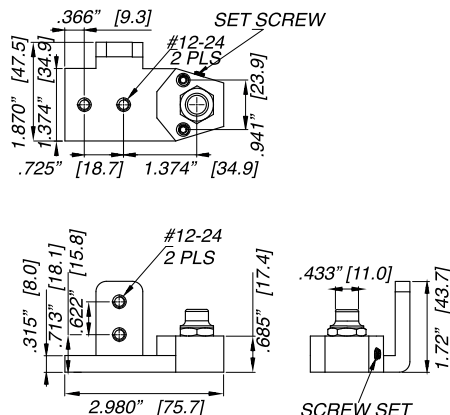
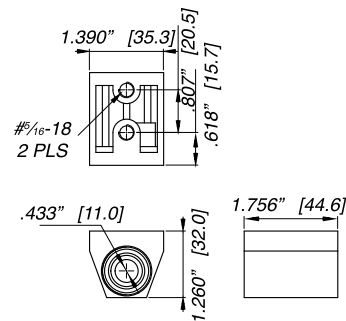
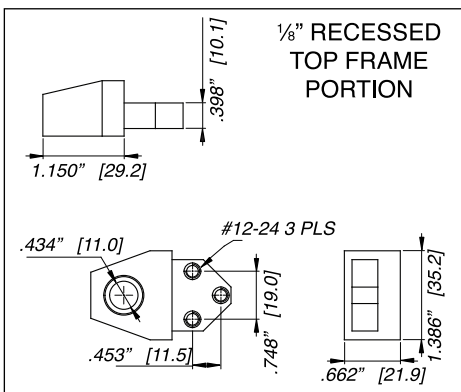
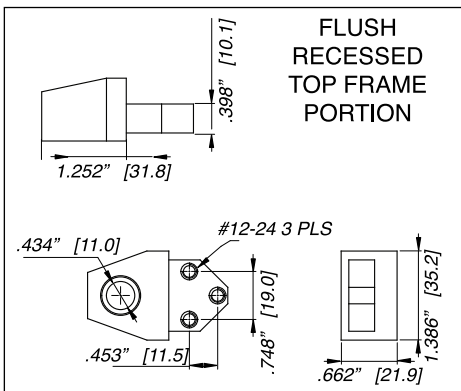
IL-OP-10-LH-AL SETS	LH, Clear
IL-OP-10-LH-DU SETS	LH, Dark Bronze
IL-OP-10-RH-AL SETS	RH, Clear
IL-OP-10-RH-DU SETS	RH, Dark Bronze

Recessed Pivots Sets

IL-OP-10-LH-AL-18 SETS	LH, Clear
IL-OP-10-LH-DU-18 SETS	LH, Dark Bronze
IL-OP-10-RH-AL-18 SETS	RH, Clear
IL-OP-10-RH-DU-18 SETS	RH, Dark Bronze

Screw Pack

IL-OP-10 SCREW PACK-AL	Clear
IL-OP-10 SCREW PACK-DU	Dark Bronze



IL-OP-12 Series – Armalite® and Trulite® Style Doors

Recessed Pivot Sets 1/8" (3.18 mm)

Recessed Pivots Sets

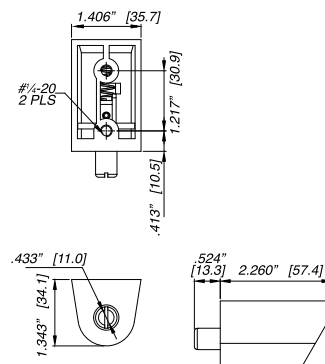
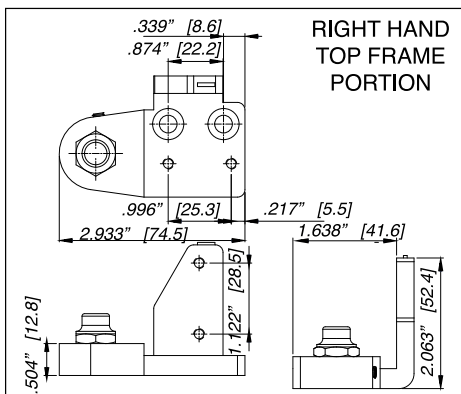
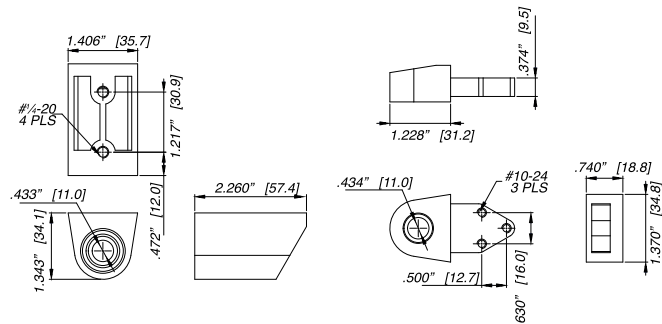
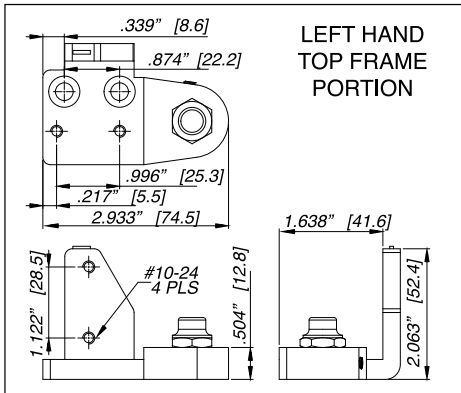
IL-OP-12-RH-AL SETS	RH, Clear
IL-OP-12-LH-AL SETS	LH, Clear
IL-OP-12-RH-DU SETS	RH, Dark Bronze
IL-OP-12-LH-DU SETS	LH, Dark Bronze



Available in dark bronze

Screw Pack

IL-OP-12 SCREW PACK-AL	Clear
IL-OP-12 SCREW PACK-DU	Dark Bronze



IL-OP-13 Series – YKK® Style Doors

Recessed Pivot Sets 1/8" (3.18 mm)

Recessed Pivot Sets

IL-OP-13-LH-AL SETS LH, Clear

IL-OP-13-LH-DU SETS LH, Dark Bronze

IL-OP-13-RH-AL SETS RH, Clear

IL-OP-13-RH-DU SETS RH, Dark Bronze

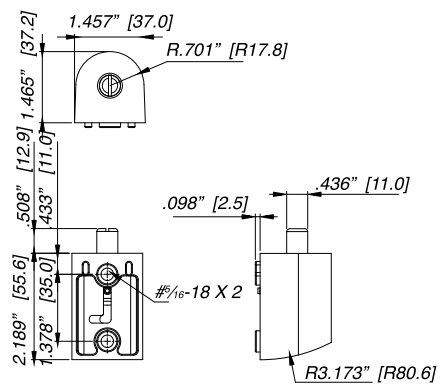
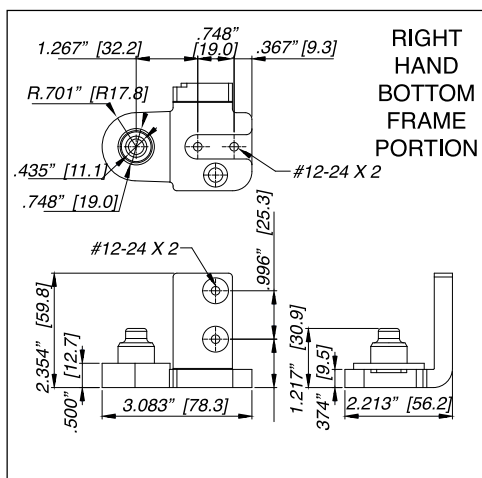
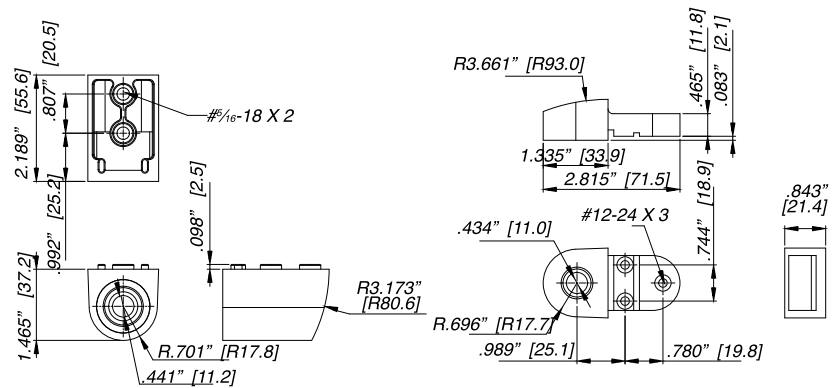
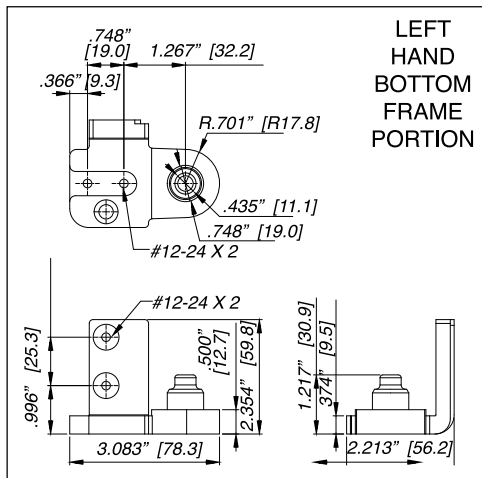
Screw Pack

IL-OP-13 SCREW PACK-AL Clear

IL-OP-13 SCREW PACK-DU Dark Bronze



Available in dark bronze



IL-OP-14 Series – US Aluminum® and Arcadia® Style Doors

Flush Door Pivot Sets

Flush Door Pivot Sets

IL-OP-14-LH-AL SETS LH, Clear

IL-OP-14-LH-DU SETS LH, Dark Bronze

IL-OP-14-RH-AL SETS RH, Clear

IL-OP-14-RH-DU SETS RH, Dark Bronze

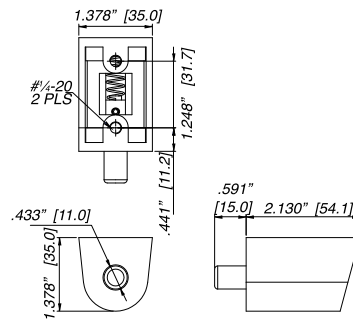
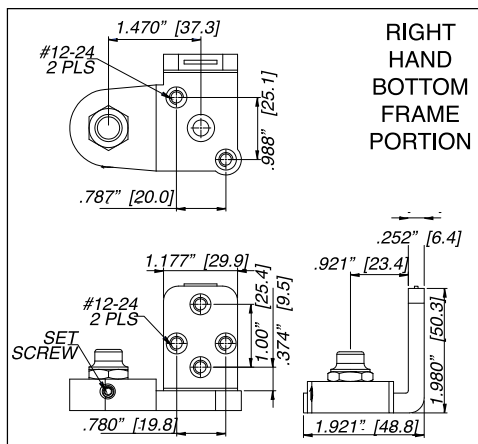
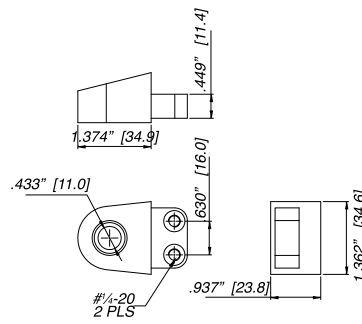
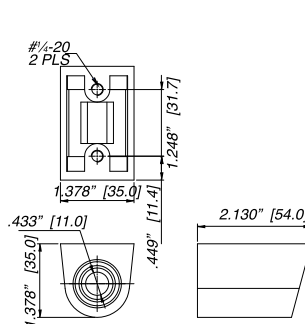
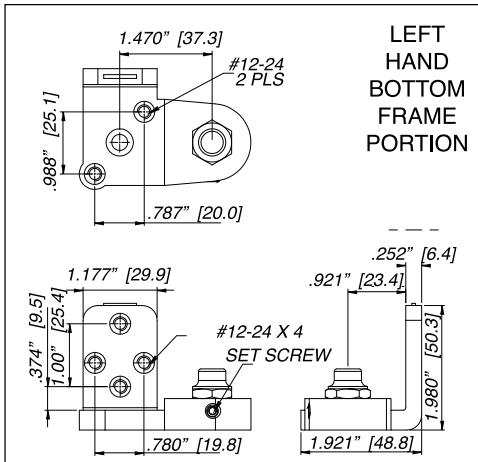
Screw Pack

IL-OP-14 SCREW PACK-AL Clear

IL-OP-14 SCREW PACK-DU Dark Bronze



Available in dark bronze



IL-OP-15 Series – Pittco® and Efco® Style Doors

31/32" (24.61mm) Recessed Pivot Sets

Recessed Door Pivot Sets

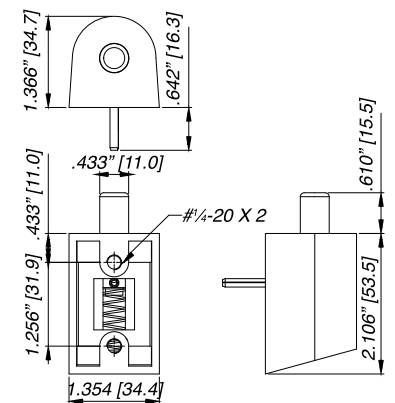
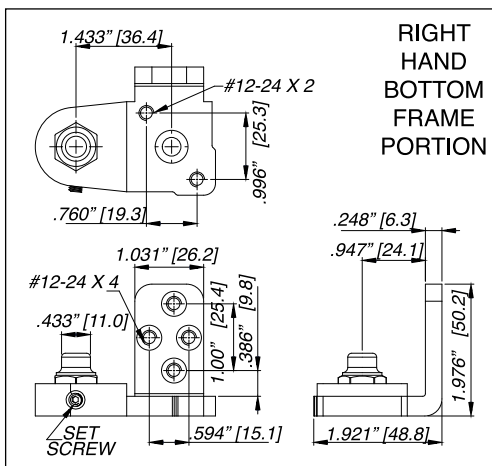
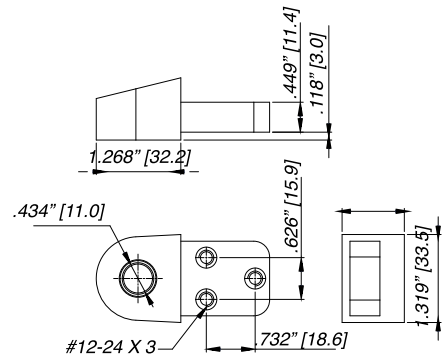
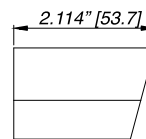
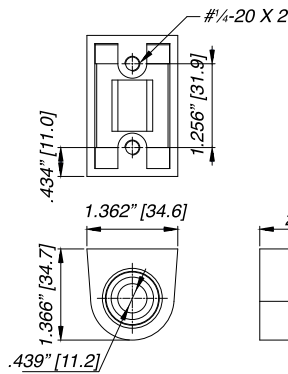
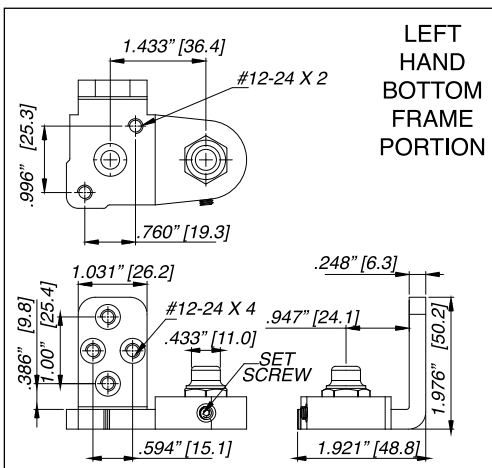
IL-OP-15-LH-AL SETS	LH, Clear
IL-OP-15-LH-DU SETS	LH, Dark Bronze
IL-OP-15-RH-AL SETS	RH, Clear
IL-OP-15-RH-DU SETS	RH, Dark Bronze

Screw Pack

IL-OP-15 SCREW PACK-AL	Clear
IL-OP-15 SCREW PACK-DU	Dark Bronze



Available in dark bronze



IL-OP-18 Top & Bottom Portion Set – Kawneer® Style Doors

1/8" (3.18 mm) Recessed Pivots - Top and Bottom sold separately to form a "set"

Recessed Door Pivot Sets

Top Pivot

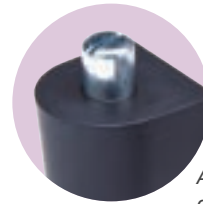
IL-OP-18-AL TOP PIVOT	NH, Clear
IL-OP-18-DU TOP PIVOT	NH, Dark Bronze

Bottom Pivot

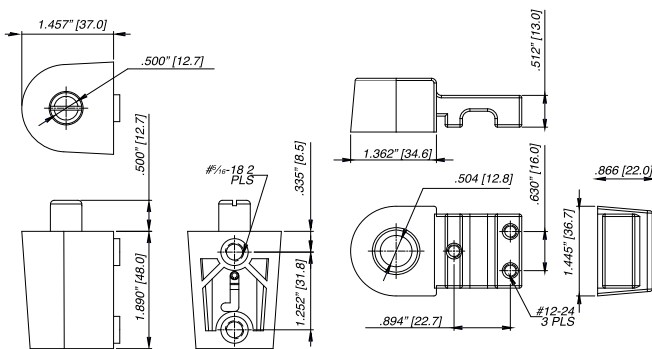
IL-OP-18-LH-AL BOTTOM	LH, Clear
IL-OP-18-LH-DU BOTTOM	LH, Dark Bronze
IL-OP-18-RH-AL BOTTOM	RH, Clear
IL-OP-18-RH-DU BOTTOM	RH, Dark Bronze

Screw Pack

IL-OP-18 SCREW PACK-AL	Clear
IL-OP-18 SCREW PACK-DU	Dark Bronze



Available in dark bronze

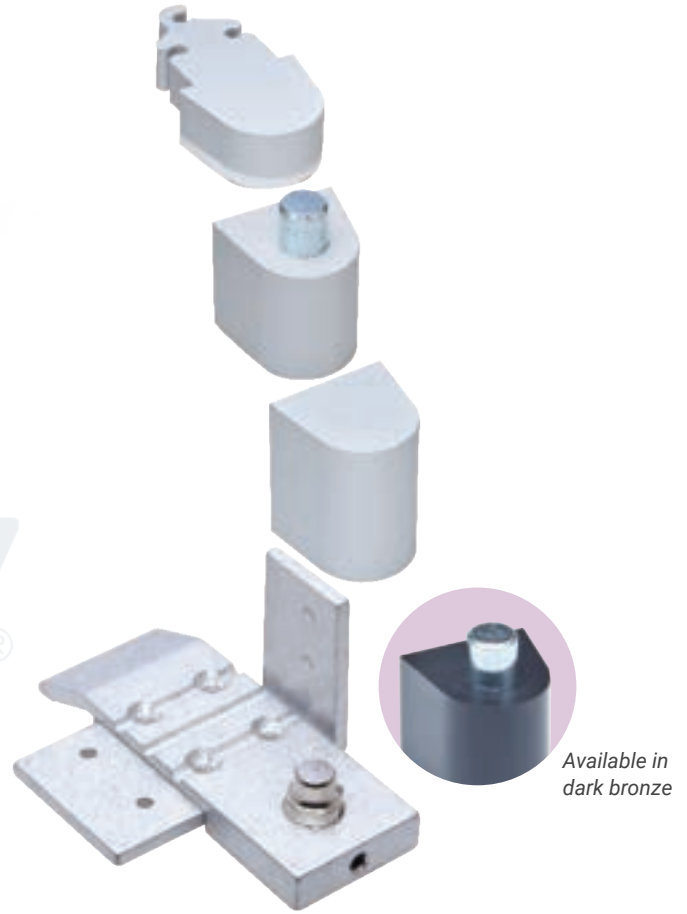


IL-OP-19 Series – Aldora® Style Doors

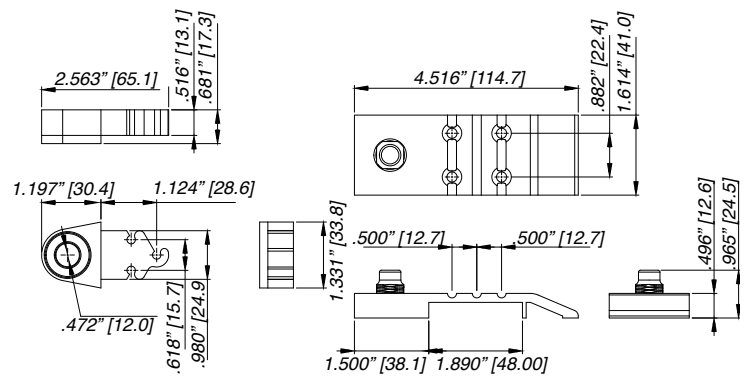
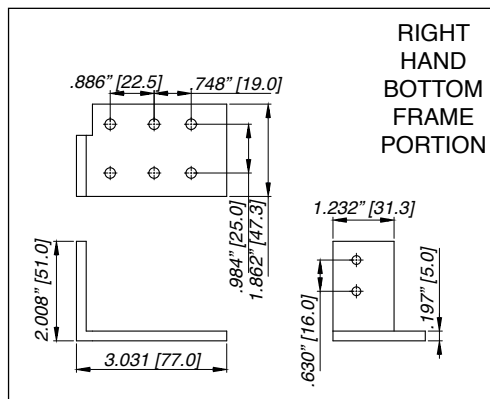
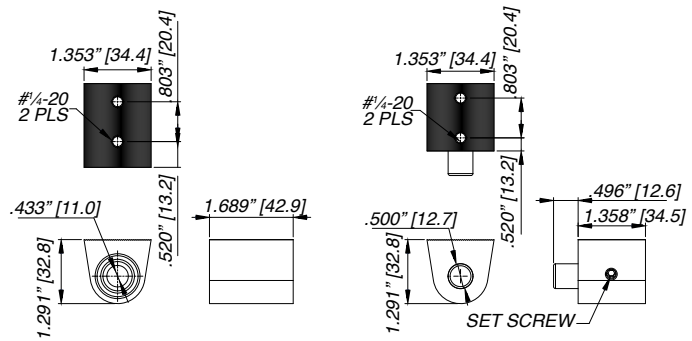
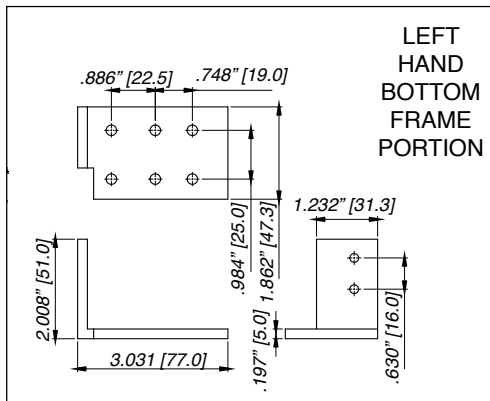
1/8" (3.18 mm) Recessed Pivot Sets

Recessed Door Pivot Sets

IL-OP-19-LH-AL	LH, Clear
IL-OP-19-LH-DU	LH, Dark Bronze
IL-OP-19-RH-AL	RH, Clear
IL-OP-19-RH-DU	Rh, Dark Bronze

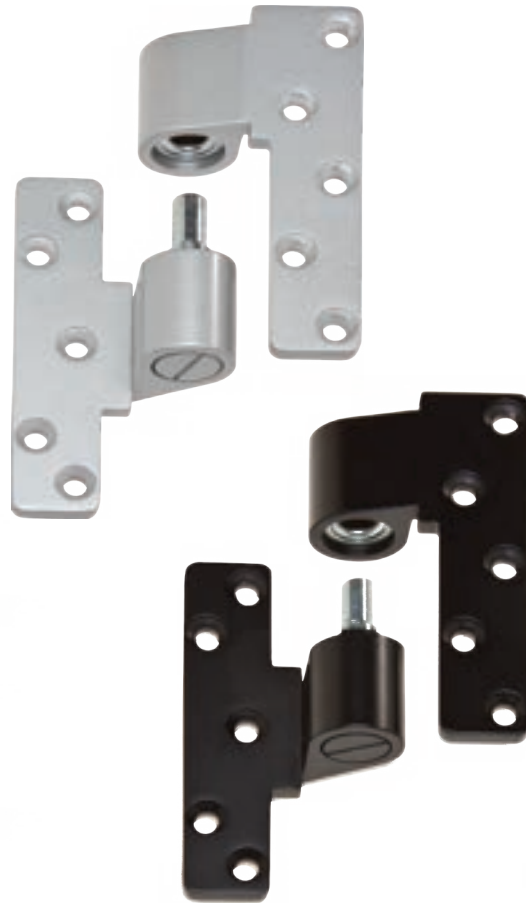


Available in dark bronze



Intermediate Pivots – For Aluminum Doors & Frames

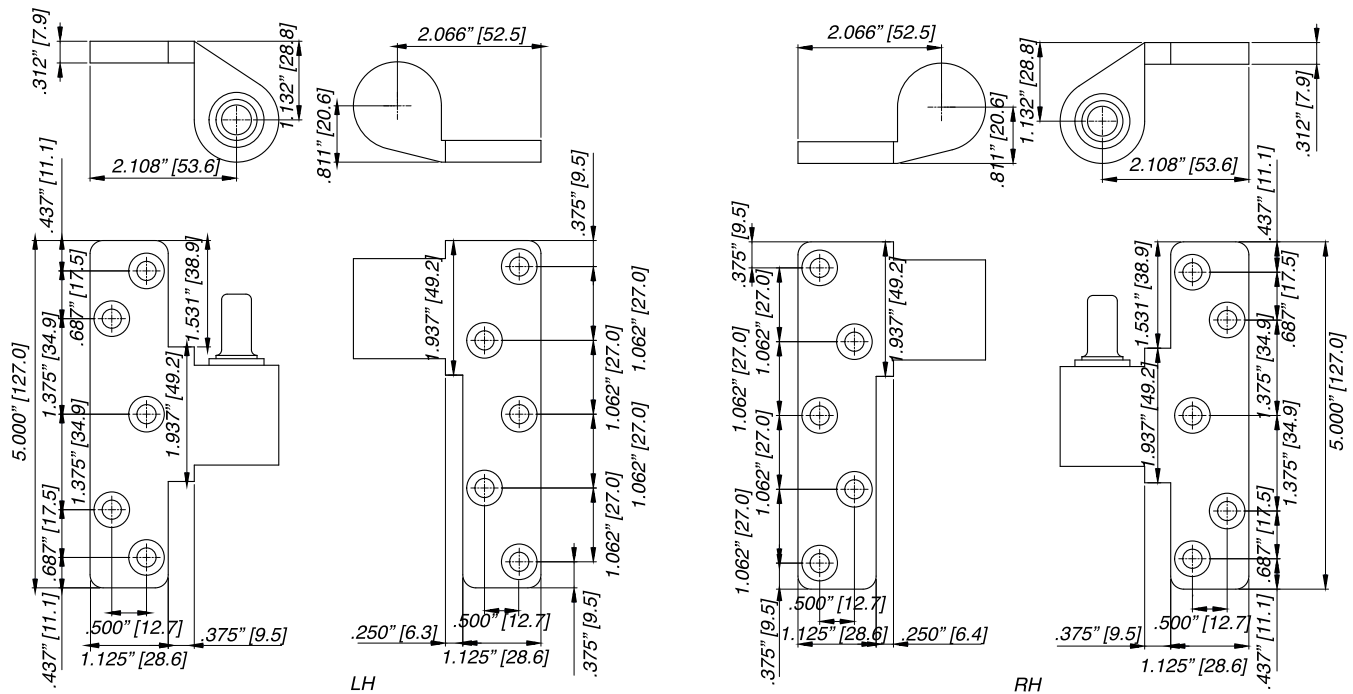
- Die cast aluminum construction
- Full race ball bearing incorporated into bottom pivot portion
- Easy vertical adjustment
- Supplied with fasteners
- Also available in dark bronze and black



IL-10 Series

3/4" (19.05 mm) Offset

IP-10-LH-AL	LH, Clear
IP-10-RH-AL	RH, Clear
IP-10-LH-DU	LH, Dark Bronze
IP-10-RH-DU	RH, Dark Bronze
IP-10-LH-DU-2	LH, Black
IP-10-RH-DU-2	RH, Black
Backing Plate	
IP-10	Steel Backing Plate



IP-22 Series

3/4" (19.05 mm) Offset

IP-22-LH-AL	LH, Clear
IP-22-LH-DU	LH, Dark Bronze
IP-22-RH-AL	RH, Clear
IP-22-RH-DU	RH, Dark Bronze

