

# Brass Cylinders, Storefront Hardware & Replacement Hardware





**Peaks®** has been enhanced to improve function and increase longevity. Many additional design and manufacturing improvements for this popular line of Key Control Cylinders are outlined at [www.ilco.us](http://www.ilco.us).



# Table of Contents

## Mortise Cylinder Deadbolt

Heavy Duty Deadbolts, Parts & Accessories.....	4-5
--	-----

## Cylinders

### Solid Brass Cylinders, Parts & Accessories

How to Order Cylinders.....	6-7
Mortise Cylinders.....	8-11
Mortise Cylinder Collars.....	12-13
Rim Cylinders.....	14-15
Key-In-Knob, Key-In-Lever, Key-In-Deadbolt Cylinders.....	16-19
IC Cores and Housings.....	20-23

<b>Profile Cylinders</b> .....	24-25
--------------------------------	-------

<b>Stock List &amp; Key List</b> .....	26-27
--	-------

## Storefront Deadlocks & Accessories

### Deadbolts

Deadbolt Mortise Locks.....	28-29
-----------------------------	-------

### Deadlatches

Deadlatch Mortise Locks.....	30-31
------------------------------	-------

### Trim

Lever Handles.....	34-35
Push/Pull Paddles .....	36-37

<b>Glass Door Rail Locks &amp; Dust Proof Strikes</b> .....	38-39
---	-------

### Pivots & Hinges

Pivots.....	40-48
Butt Hinge Strike .....	49

### Lock and Door Accessories

Faceplates.....	50
Deadlatch Strikes.....	51

Threshold.....	52-56
----------------	-------

Door Accessories (Lock Indicators, Door Stops).....	57
---	----

## Replacement Hardware

Night Latches .....	58
Jimmyproof Locks.....	59
Garage Door Lock, Rim Lockset .....	60
5 pin Rim Cylinder.....	61
Replacement Door Knobs .....	62
Mortise Locksets .....	63
Mail Box Locks, Showcase Lock, Lock Pick Gun.....	64
Flangible Padlock, Pin Kit, Split Key Rings .....	65

<b>Warranty Terms &amp; Conditions</b> .....	67
--	----

In compliance with current regulations relating to industrial property, we hereby state that the trademarks and/or or trade names within this document are the exclusive property of the authorized manufacturers. Said trade-marks or trade names are nominated only for the purposes of information. All information and illustrations in this document are for guidance only. We reserve the right to alter products designs, dimensions or information. The contents of this document are fully protected by Copyright and may not be copied or reproduced in any form, without written permission from Kaba Ilco Corp.

©Kaba Ilco Corp. 2022 All Rights Reserved



# Mortise Cylinder Deadbolts

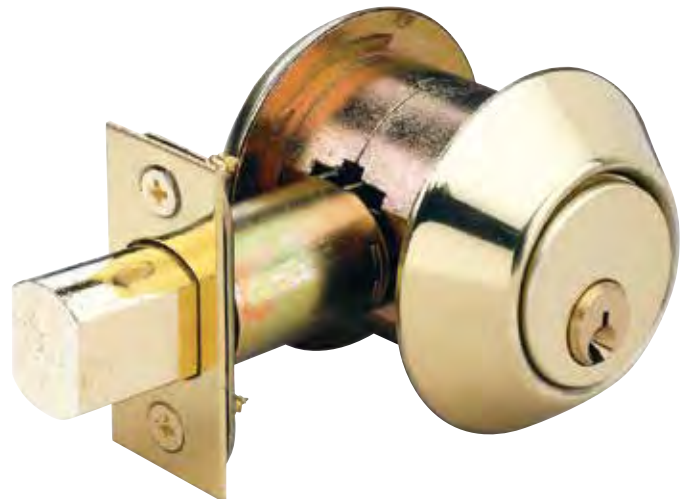
## 4500 Series — Heavy Duty, Professional Deadbolt

The Ilco Mortise Cylinder Deadbolt is heavy duty and made for professional installation. This lock can be installed on virtually any wood or metal door of any thickness.

- Sold with or without Cylinder
- Available Single Cylinder with ADA Turn Lever, Double Cylinder, Dummy and IC Core Housing
- Single Cylinder model has field reversible handing
- Accepts standard US thread mortise cylinder
- Operates with Lori® fan shaped or Adams Rite® Cam
- Cross bore 1 7/8"- 2 1/8" (47.3mm – 54mm)
- Standard 1" (25.4mm) edge bore
- 3 backsets; 2" (50.8mm), 2 3/8" (60.3mm), 2 3/4" (70mm)
- Drive in or screw in bolts



DOOR THICKNESS	CYLINDER LENGTH
1 3/8"-1 3/4"	15/16" (23.8mm)
1 3/4"-1 7/8"	1" (25.4mm)
1 7/8"-2 1/8"	1 1/8" (28.6mm)
2 1/8"-2 3/8"	1 1/4" (31.7mm)
2 3/8"-2 5/8"	1 3/8" (34.9mm)
2 5/8"-2 7/8"	1 1/2" (38.1mm)
2 7/8"-3 1/8"	1 5/8" (41.2mm)
3 1/8"-3 3/8"	1 3/4" (44.4mm)
3 3/8"-3 5/8"	1 7/8" (47.6mm)
3 5/8"-3 7/8"	2" (50.8mm)



## Mortise Cylinder Deadbolt ACCESSORIES & PARTS

### Front/Faceplate

4500-xx-5012	1" (25.4mm) for 2" (50.8mm) & 2 3/8" (60.3mm) Bolts
4510-xx-5012	1 1/8" (28.6mm) for 2 3/4" (69.8mm) Bolts Strikes
4500-xx-5011	For Wood Jam with Reinforcer
4500-xx-5013	For Steel Jam with Dust Box
4500-83-2000	Dust Box only

### Housing for Bolts

4500-84-5003	For 2 3/8" (60.3mm) & 2 3/4" (69.8mm) Backsets
4900-84-5005	For 2" (50.8mm) Backsets Thumbturn Lever /Rose Assembly
4500-xx-5016	Thumbturn Lever assembly for 4500 Series
4500-82-2007	Thumbturn Tailpiece only
4500-82-2008	Long Thumbturn Tailpiece -1 1/4" (31.7mm)

### Screws

4200-98-4011	Cam Screw
4500-82-4014	Housing Screw 8/32 X 1" (25.4mm)
4500-xx-4018	Thumbturn Lever Rose Assembly Screws

4500-xx-4025	Long Rose Screws for Thick Doors
4500-99-4015	Set Screw
4500-80-1017	3" (76.2mm) Screw for HD Strike
4500-xx-1036	3/4" (19.05mm) Screw for standard Strike/Front

### Collars & Roses

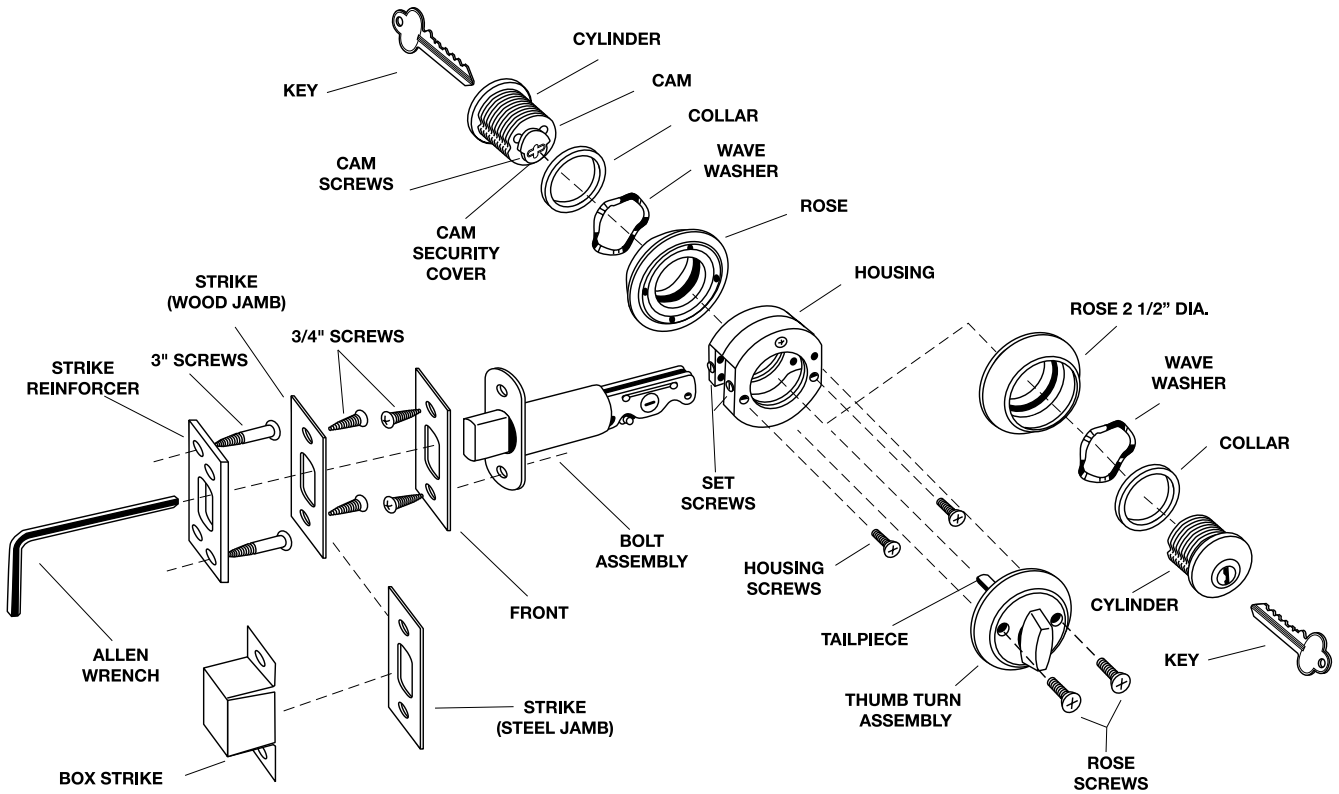
4500-xx-5017	Outside Rose
861E-xx-10	5/32" (3.97mm) Aluminum Collar
4500-81-4020	Wave Washer
4500-xx-5025	Spacer for Use With SFIC & Schlage LFIC

### Miscellaneous

4500-80-4016	5/64" (1.98mm) Long Shank Allen Wrench
863R-00-10	Deadbolt Fan Cam for Mortise Cylinder
4500-80-2013	Security Cover for Cam/Keyway
4500-82-1012	Steel Strike Reinforcer, less screws
4500-xx-5050	2 1/4" (57.1mm) Thick Door Kit for 4510 with 1 1/4" (31.7mm) Cylinder

"xx" indicates insert finish.





### How To Order Mortise Deadbolts

**45 - 2 - 4 - 04 - 26D - 5 - 2 - 5 - AA - KA 2**

1	2	3	4	5	6	7	8	9	10
DESIGN	FUNCTION	BOLT/ BACKSET	STRIKE	FINISH	CYLINDER OPTION	CYLINDER SIZE	NUMBER OF PINS	KEYWAY	KEYING
<b>1 DESIGN</b>	<b>2 FUNCTION</b>	<b>3 BOLT / BACKSET</b>	<b>4 STRIKE</b>	<b>5 FINISH</b>	<b>6 CYLINDER</b>	<b>7 CYLINDER LENGTH*</b>	<b>8 NUMBER OF PINS</b>	<b>9 KEYWAY</b>	<b>10 KEYING</b>
45 Standard	1 Single Cylinder 2 Double Cylinder 8 Classroom Function	Standard Bolt 0 No Bolt 2 2" Backset, 1" Front 3 2 3/8" Backset, 1" Front 4 2 3/4" Backset, 1 1/8" Front Drive-In Bolt 5 2 3/8" Backset 6 2 3/4" Backset	03 Regular Duty (Optional/Steel) 04 Heavy Duty (Standard/Wood)	03P Bright Brass Permanent 04 Satin Brass 05 Antique Brass 10 Satin Bronze 10B Oil-Rubbed Bronze 15 Satin Nickel 26D Satin Chrome 26 Bright Chrome 32D Satin Stainless Steel	0 Complete Deadbolt Less Cylinder 2 Dummy Outside 3 ADA Turnknob Inside 4520 Series Only 4 Mortise Turnknob Cylinder Inside 4520 Series Only 5 Standard Keyed Cylinder 6 Captive Turnknob Cylinder Inside 4520 Series Only 8 I.C. Housing - 6 pin 9 I.C. Housing - 7 pin 10 LFIC Schlage HSG	1 1 5/16" Long 2 1" Long 4 1 1/8" Long 5 1 1/4" Long <small>1 3/8" x 2" mortise cylinders can be ordered separately.</small>	5 5 Pins 6 6 Pins	See How to Order Cylinders Pages for Keyway Options	See How to Order Cylinders Pages for Keying Options

STOCK LIST	
45-1-4-04-26D-0	
45-2-4-04-26D-0	
45-1-3-04-03P-0	
45-1-4-04-26D-5-2-5-SC-KD	
45-1-6-04-26D-0	



# Cylinders

## How to Order Cylinders

Example: Standard 1 inch, 5 pin mortise cylinder, Arrow keyway with Adams Rite cam, satin chrome finish, keyed alike in pairs.

**7 1 6 5**    **AA**    **2 - 2 6 D** - **KA 2**

**1**  
MODEL NO.

**2**  
KEYWAY

**3**  
CAM OR  
TAILPIECE

**4**  
FINISH

**5**  
KEYING

### 1 Product Numbers

Mortise Cylinders					Turn Knob Mortise Cylinders		
Model	Description				Model	Description	
7124	¾"	(19 mm)	4 Pin		7151	1½"	(23.8 mm) Turn Knob
7155	1½"	(23.8 mm)	5 Pin		7161	1"	(25.4 mm) Turn Knob
7165	1"	(25.4 mm)	5 Pin		7181	1½"	(28.6 mm) Turn Knob
7185	1½"	(28.6 mm)	5 Pin	Drilled 6 Pin	7201	1¼"	(31.7 mm) Turn Knob
7186	1½"	(28.6 mm)	6 Pin		7221	1¾"	(34.9 mm) Turn Knob
7205	1¼"	(31.7 mm)	5 Pin	Drilled 7 Pin	7241	1½"	(38.1 mm) Turn Knob
7206	1¼"	(31.7 mm)	6 Pin	Drilled 7 Pin	7261	1½"	(41.2 mm) Turn Knob
7207	1¼"	(31.7 mm)	7 Pin		7281	1¾"	(44.4 mm) Turn Knob
7225	1¾"	(34.9 mm)	5 Pin	Drilled 7 Pin	7301	1¾"	(47.6 mm) Turn Knob
7226	1¾"	(34.9 mm)	6 Pin	Drilled 7 Pin	7321	2"	(50.8 mm) Turn Knob
7227	1¾"	(34.9 mm)	7 Pin		ADA7151	1½"	(23.8 mm) ADA Turn Knob
7245	1½"	(38.1 mm)	5 Pin	Drilled 7 Pin	ADA7161	1"	(25.4 mm) ADA Turn Knob
7246	1½"	(38.1 mm)	6 Pin	Drilled 7 Pin	ADA7181	1½"	(28.6 mm) ADA Turn Knob
7247	1½"	(38.1 mm)	7 Pin	SC Keyway Only	ADA7201	1¼"	(31.7 mm) ADA Turn Knob
7265	1½"	(41.2 mm)	5 pin	SC Keyway Only	ADA7221	1¾"	(34.9 mm) ADA Turn Knob
7266	1½"	(41.2 mm)	6 pin	SC Keyway Only	ADA7241	1½"	(38.1 mm) ADA Turn Knob
7285	1¾"	(44.4 mm)	5 pin	SC Keyway Only	ADA7261	1½"	(41.2 mm) ADA Turn Knob
7286	1¾"	(44.4 mm)	6 pin	SC Keyway Only	ADA7281	1¾"	(44.4 mm) ADA Turn Knob
7305	1¾"	(47.6 mm)	5 pin	SC Keyway Only	ADA7301	1¾"	(47.6 mm) ADA Turn Knob
7306	1¾"	(47.6 mm)	6 pin	SC Keyway Only	ADA7321	2"	(50.8 mm) ADA Turn Knob
7325	2"	(50.8 mm)	5 pin	SC Keyway Only	41651	1½"	(23.8 mm) Captive Turn Knob
7326	2"	(50.8 mm)	6 pin	SC Keyway Only	41671	1½"	(28.6 mm) Captive Turn Knob

Key-In-Knob Cylinders			Rim Cylinders	
Model	Description		Model	Description
15395	5 Pin	Universal/Lockset/Leverset/Padlock	7075	5 Pin Cylinder with screw cap
15396	6 Pin	Universal/Lockset/Leverset/Padlock	7076	6 Pin Cylinder with screw cap
15495	5 Pin	Cylindrical Deadbolt		
15496	6 Pin	Cylindrical Deadbolt		
15685	5 Pin	Emtek Cylindrical Deadbolts		
15795	5 Pin	Sargent 6 Line, 10 Line, T Zone		
15796	6 Pin	Sargent 6 Line, 10 Line, T Zone		
15985	5 Pin	Combination Knob/Deadbolt		
15995	5 Pin	Combination Knob/Deadbolt		
15996	6 Pin	Combination Knob/Deadbolt		

Turn Knob Rim Cylinders			Dummy Mortise Cylinders		
Model	Description		Model	Description	
7011	Turnknob Rim Cylinder		7150	1½"	(23.8 mm) Dummy
			7160	1"	(25.4 mm) Dummy
			7180	1½"	(28.6 mm) Dummy
			7200	1¼"	(31.7 mm) Dummy
			7220	1¾"	(34.9 mm) Dummy
			7240	1½"	(38.1 mm) Dummy
			7260	1½"	(41.2 mm) Dummy
			7280	1¾"	(44.4 mm) Dummy
			7305	1¾"	(47.6 mm) Dummy
			7325	2"	(50.8 mm) Dummy

Dummy Rim Cylinders		
Model	Description	
7010	1½"	(28.6 mm) Dummy Rim Cylinder

### 2 Keyways

Arrow	Sargent LA-LC GB LA-LC	Schlage
AA 1179		SX C-K, 1145
Corbin 60	Sargent RA-RC GC RA-RC	ILCO*
CA 1001EH		UA X1054K
Corbin 67	Kwikset	Lori L100* Eagle 11929 Harloc 700
CB 1001EN	KS 1176	UB
Corbin 77*	Lockwood	Lori 90* 6 pin only
CC R1001EN	LA 1004	UD Centric 90
Corbin *	Composite	Lori 80* 5 pin
CD 59A1-A2	NA R1064E	UE Lori 80
Corbin/ Russwin CE L4	Composite	Weiser E Falcon WA 1054WB 1054WC
Do min bn 1054F DA S54F	NB HR1	Weiser WE P1555
Schlage Everest EA C123 !	Russwin* RA 5981R N1011P	Yale 8 YA 999
Schlage Everest EB C145 !	Russwin D1	Yale YG Yale GA
Segal 9 FA (1022)	RB 1011D1	
Sargent LA GA 1007LA	Schlage C SC 1145	
	Schlage E SE 1145E	
	Schlage F SF 1145F	

\* Add 2.75 to Sugg. List for these keyways

! Less Keys  
"All cylinders are OB to Blade Height"

\*Kwikset keyway only available in 5 pin

# How to Order Cylinders...

## 3 Cams & Tailpieces

1 Standard (863G)	13 22PR-E-RM (863K)	10* Long Standard 2 3/8" (60.3mm) 862B for 7075 + KIK
2 Adams Rite (863A)	15 Schlage L (863M)	14* Long Lazy Action 2 3/8" (60.3mm) 862L for 7075 + KIK
3 Clover (863D)	16 Sargent/ Yale (863N)	26* Extra Long Standard 4" (101.6mm) 862C for 7075 + KIK
4* Narrow (863E)	17* Segal/ Emhardt (863P)	
5 Marks Cam (863F)	18 Lori Deadbolt (863R)	
6* Yale (863)	19 Clover Corbin/ Russwin Best (863S)	
7 Sargent Offset (863U)	20 Adams Rite 4070 (863T)	
11* 14PR-RM (863H)	23 Falcon/ Saflok (863V)	
12* 22PR-A-RM (863J)		

\* Installed on MK cylinders only at the factory. Order cylinders from stock list and order this cam or tailpiece separately from pages 9 and 10 in this price list.

### Master Keys

Master keys will be sent separately from the cylinders via certified mail, return receipt requested. Name and address for this package must be supplied with the cylinder order. System expansion up to 30% of original purchase order at no extra charge.

### Limited Warranty

Ilco warrants to the original purchaser for a period of one year that this product is free from defects in materials and workmanship. We will, at our discretion, repair or replace free of charge, including shipping charges back to you, any product found to be defective and subject to this warranty, provided it is delivered prepaid to Ilco. This warranty does not apply to any defects or malfunctions resulting from improper installation or use. Products and parts not manufactured by Ilco are guaranteed only in accordance with that manufacturer's warranty. Kaba Ilco shall not be liable for any consequential or incidental expenses resulting from breach of this warranty or any implied warranty. Some states do not allow the exclusion or limitation of consequential or incidental damages, so the above exclusion or limitation may not apply to you. This warranty gives you specific rights, and you have other rights, which vary from state to state.

## 4 Finish Codes

Code	Description	US#	BHMA
03	Bright Brass	03	605
03P*	Bright Brass Permanent	03	605
04	Satin Brass	04	606
05*	Antique Brass	05	609
10	Satin Bronze	10	612
10B	Oil Rubbed Bronze	10B	613
15	Satin Nickel	15	619
26*	Bright Chrome	26	625
26D	Satin Chrome	26D	626
28	Clear Aluminum Anodized	28	628
29	Black Aluminum	19	622
32*	Bright Stainless Steel	32	629
32D*	Satin Stainless Steel	32D	630
46	Duracolor Brown Aluminum	46	624

\* Add 1.25 to suggested list. All finish codes are ANSI/BHMA E (equivalent in appearance to category A) codes and do not reflect the product's base material.

## 5 Keying Codes

Code	Description
KA	All keyed alike
KD	Keyed different
KA2	Keyed alike in pairs
KA4	Keyed alike in fours
0B	0 bitted - Blade Height
MK $\Phi$	Master keyed
GMK $\Phi$	Grand master keyed
CMK	Construction master keyed

\*When requesting MK or GMK, an additional Keying Code is required (KA, KD, KA2, etc.)  
Example: 7165AA2-26D-MK/KA2

Chart below indicates stock KA biting combinations. This does not apply to any other keying code. All other combinations add 1.75 to suggested list.

### Factory Keyed Alike Combinations (no up-charge)

YA .019 (OEM)	SC & SX .015 (OEM)
13335	13531
14251	15513
14455	24642
24158	26264
34532	31315
34562	31515
41224	33563
41242	34032
41255	34562
41256	35315
41263	42642
41321	44634
42131	46246
42145	51315
43244	54645
43263	55313
44254	62646
45324	64254
43356	66464
14544	78348

# Mortise Cylinders

Ilco Mortise Cylinders are machined from solid brass bar stock, engineered and manufactured to OEM specifications. Master Key and Grand Master Key quality, and are re-keyable to original manufacturers systems. The broad selection of models and components within our line provides you with the flexibility to cover numerous applications.

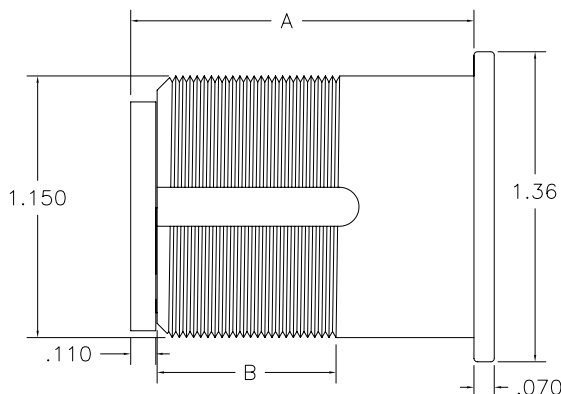
- Thread size: 1.150 x 32 UNS.
- Cylinder face: 1.360 (34.5mm) diameter

## Mortise Cylinders – Keyed

- 14 finishes - 03, 03P, 04, 05, 10, 10B, 15, 26, 26D, 28, 29, 32, 32D, 46
- 31 keyways
- 17 cams
- 11 lengths listed below
- Factory master keying/construction master keying available



Model	Length (A)	Pinning
<b>7124</b>	3/4" (19mm)	4 Pin
<b>7155</b>	1 5/16" (23.8mm)	5 Pin
<b>7165</b>	1" (25.4mm)	5 Pin
<b>7185</b>	1 1/8" (28.6mm)	5 Pin (drilled 6)
<b>7186</b>	1 1/8" (28.6mm)	6 Pin
<b>7205</b>	1 1/4" (31.7mm)	5 Pin (drilled 7)
<b>7206</b>	1 1/4" (31.7mm)	6 Pin (drilled 7)
<b>7207</b>	1 1/4" (31.7mm)	7 Pin
<b>7225</b>	1 3/8" (34.9mm)	5 Pin (drilled 7)
<b>7226</b>	1 3/8" (34.9mm)	6 Pin (drilled 7)
<b>7227</b>	1 3/8" (34.9mm)	7 Pin
<b>7245</b>	1 1/2" (38.1mm)	5 Pin (drilled 7)
<b>7146</b>	1 1/2" (38.1mm)	6 Pin (drilled 7)
<b>7247</b>	1 1/2" (38.1mm)	7 Pin
<b>Models available with Schlage C keyway only:</b>		
<b>7265</b>	1 5/8" (41.2mm)	5 Pin (drilled 6)
<b>7266</b>	1 5/8" (41.2mm)	6 Pin
<b>7285</b>	1 3/4" (44.4mm)	5 Pin (drilled 6)
<b>7286</b>	1 3/4" (44.4mm)	6 Pin
<b>7305</b>	1 7/8" (47.6mm)	5 Pin (drilled 6)
<b>7306</b>	1 7/8" (47.6mm)	6 Pin
<b>7325</b>	2" (50.8mm)	5 Pin (drilled 6)
<b>7326</b>	2" (50.8mm)	6 Pin

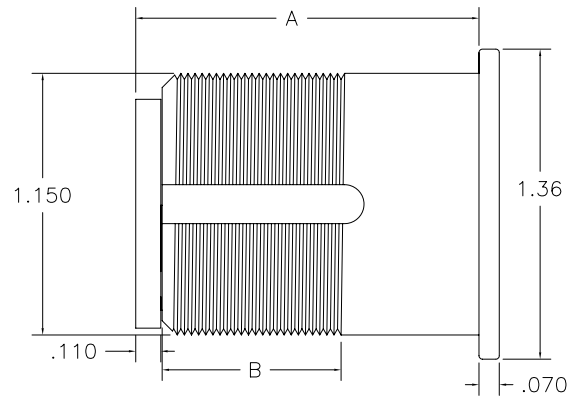




### Mortise Cylinders – Dummy

- 14 finishes - 03, 03P, 04, 05, 10, 10B, 15, 26, 26D, 28, 29, 32, 32D, 46
- 11 lengths listed below

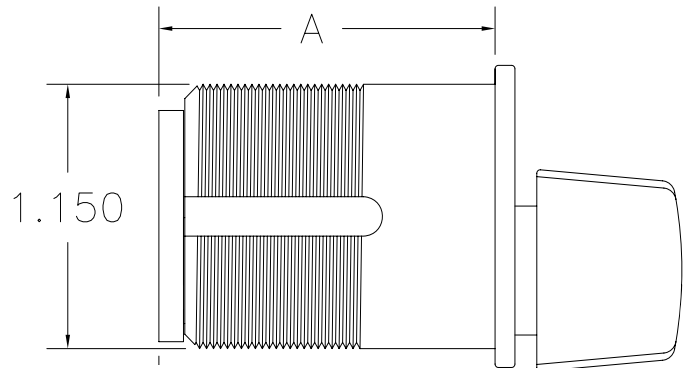
MODEL	LENGTH (A)
7120	3/4" (19mm)
7150	1 5/16" (23.8mm)
7160	1" (25.4mm)
7180	1 1/8" (28.6mm)
7200	1 1/4" (31.7mm)
7220	1 3/8" (34.9mm)
7240	1 1/2" (38.1mm)
7260	1 5/8" (41.2mm)
7280	1 3/4" (44.4mm)
7300	1 7/8" (47.6mm)
7320	2" (50.8mm)



### Mortise Cylinders – Turnknob

- 12 finishes – 03, 04, 05, 10, 10B, 26, 26D, 28, 29, 32, 32D, 46
- 11 lengths listed below
- 17 cams

MODEL	LENGTH (A)
7121	3/4" (19mm)
7151	1 5/16" (23.8mm)
7161	1" (25.4mm)
7181	1 1/8" (28.6mm)
7201	1 1/4" (31.7mm)
7221	1 3/8" (34.9mm)
7241	1 1/2" (38.1mm)
7261	1 5/8" (41.2mm)
7281	1 3/4" (44.4mm)
7301	1 7/8" (47.6mm)
7321	2" (50.8mm)

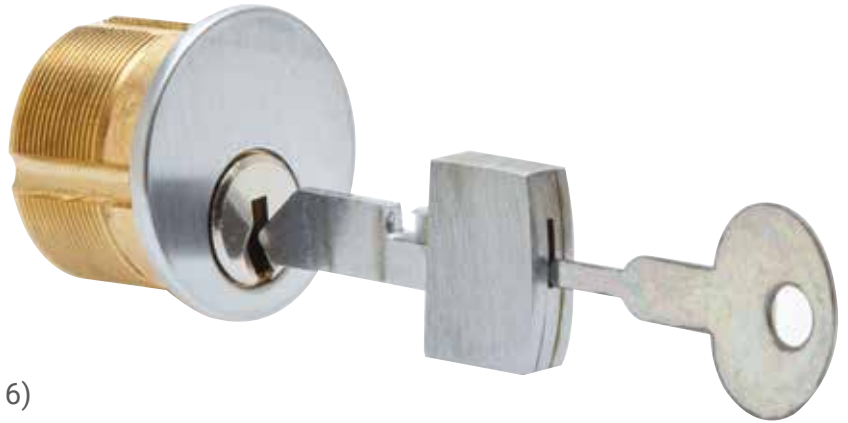


### Mortise Cylinders – Captive Turnknob

One turnknob key, one conventional key per cylinder (Schlage® or Weiser® keys only)

- 2 finishes – 03, 26D
- 3 lengths listed below
- 17 cams

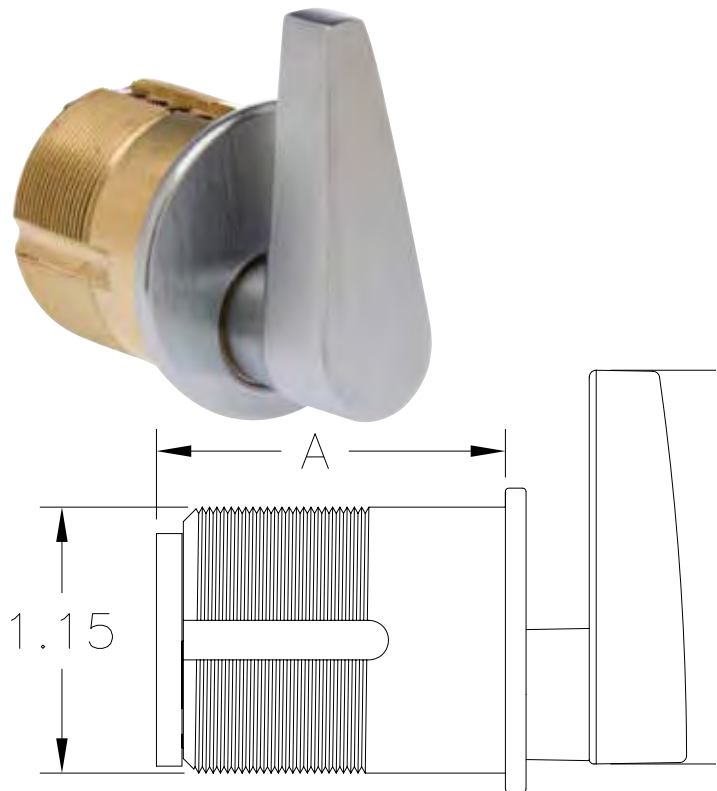
MODEL	LENGTH (A)	PINNING
41651	15/16" (23.8mm)	5 Pin
41661	1" (25.4mm)	5 Pin
41671	1 1/8" (28.6mm)	5 Pin (drilled 6)



### Mortise Cylinders – ADA Turnknob

- 3 finishes – 03, 10B, 26D
- 10 lengths listed below
- 17 cams

MODEL	LENGTH (A)
ADA-7151	1 5/16" (23.8mm)
ADA-7161	1" (25.4mm)
ADA-7181	1 1/8" (28.6mm)
ADA-7201	1 1/4" (31.7mm)
ADA-7221	1 3/8" (34.9mm)
ADA-7241	1 1/2" (38.1mm)
ADA-7261	1 5/8" (41.2mm)
ADA-7281	1 3/4" (44.4mm)
ADA-7301	1 7/8" (47.6mm)
ADA-7321	2" (50.8mm)

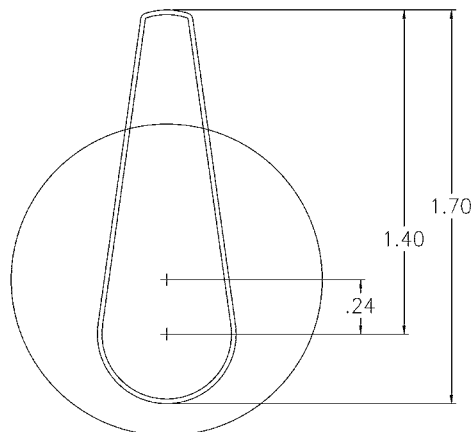


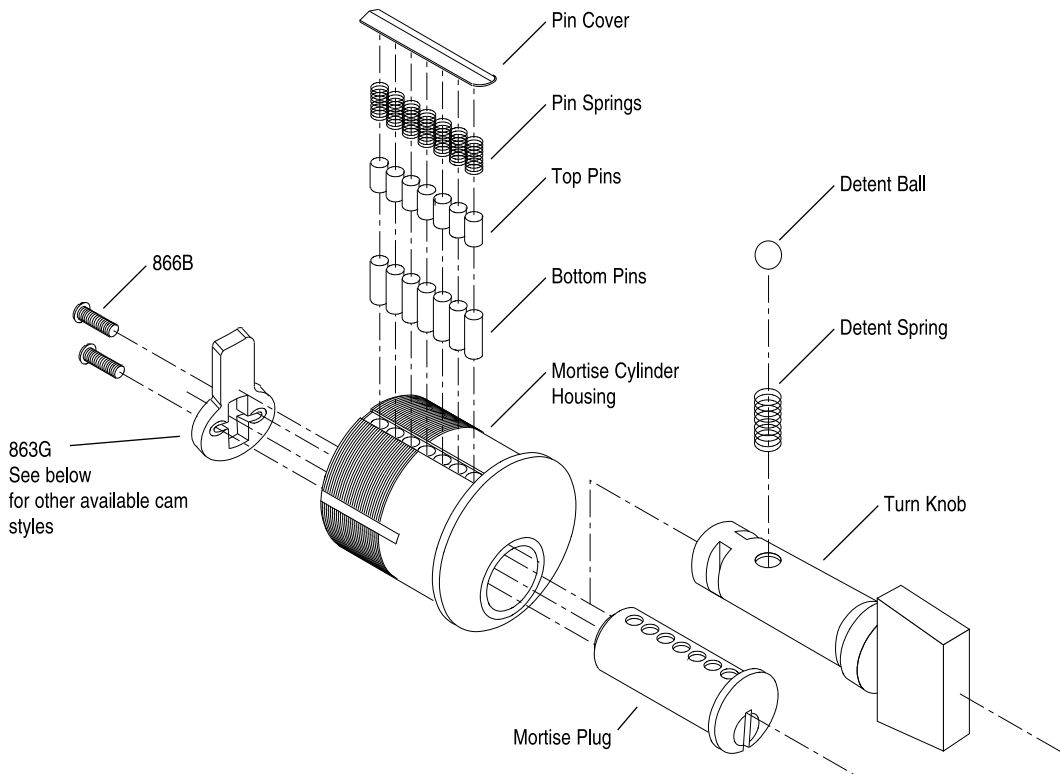
### Mortise Cylinders – Classroom Turnknob

Rotation limited, field handing

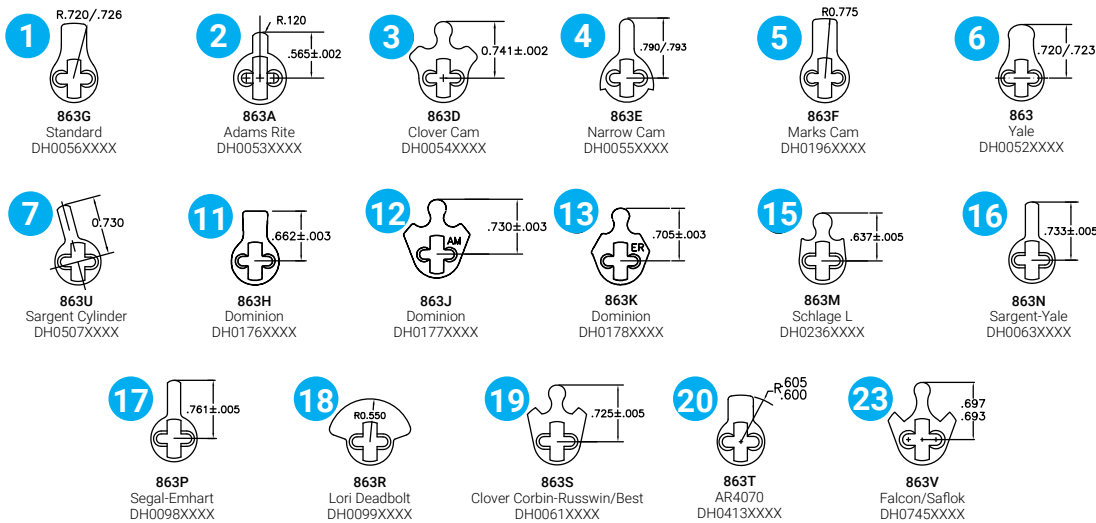
- 12 finishes – 03, 04, 05, 10, 10B, 26, 26D, 28, 29, 32, 32D, 46
- 4 lengths listed below
- 17 cams

MODEL	LENGTH (A)
4135	1 5/16" (23.8mm)
4136	1" (25.4mm)
4137	1 1/8" (28.6mm)
4138	1 1/4" (31.7mm)





### Mortise Cylinder Cam Styles



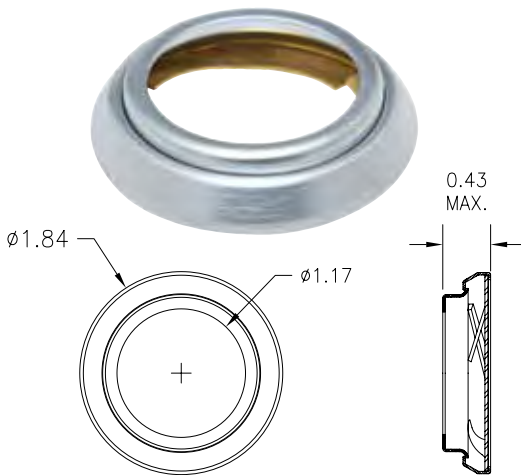
### Miscellaneous ACCESSORIES & PARTS

- 869-00-10 Cash Box Nut, fits thread on mortise cylinder body
- 866B-00-100 Mortise Cam Screws, 3 x 48 self-tapping x 5/16" long (100/bag)
- 704-04-11 Turn Knob Disc – standard throw, 3/16" (4.8 mm), square hub
- 705-04-11 Turn knob Disc – long throw, 3/16" (4.8 mm), square hub
- 4500-xx-5012 1" (25.4mm) for 2" (50.8mm) & 2 3/8" (60.3mm) Bolts
- 4510-xx-5012 1 1/8" (28.6m)
- 4165-03-5001 Captive TK Key Blank, Bright Brass
- 4165-26D-5001 Captive TK Key Blank, Satin Chrome
- 4165-03-5002 Captive TK Cut Key, Bright Brass
- 4165-26D-5002 Captive TK Cut Key, Satin Chrome
- 4165-82-2001 Flat Steel Release Key

# Mortise Cylinder Collars

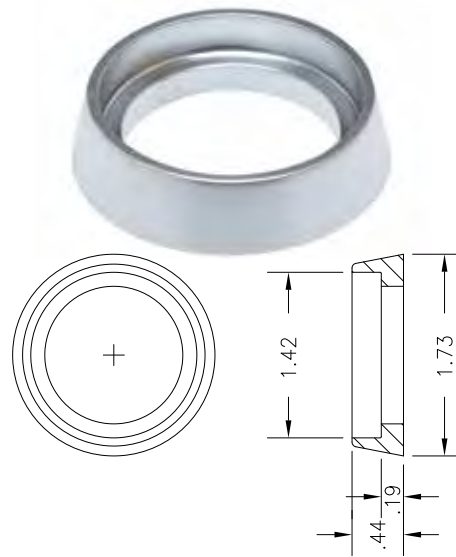
## 861A Adjustable Spring Collar

- Solid Brass Construction
- Adjustment: 5/16"-1 3/32" (7.9-20.6mm)
- Finishes - 03, 26, 26D



## 861B Tapered Collar

- Steel Construction
- Head Recess: 1/4" (6.35mm)
- Projection: 7/16" (11.11mm)
- Finishes - 03, 26D, 46



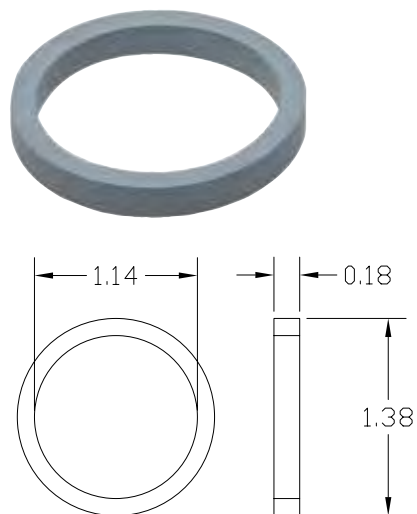
## 861V Adjustable Spring Collar

- Steel Construction
- Adjustment: 7/64"-1/4" (2.8-6.35mm)
- Finishes - 03, 10B, 26D, 26, 28



## 861K-00-10 Collar

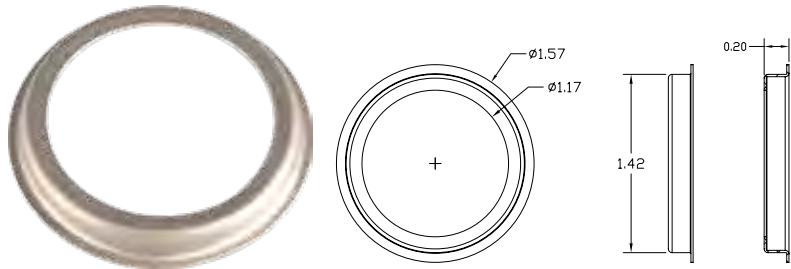
- Grey Vinyl Construction
- Thickness: 3/16" (4.8 mm)





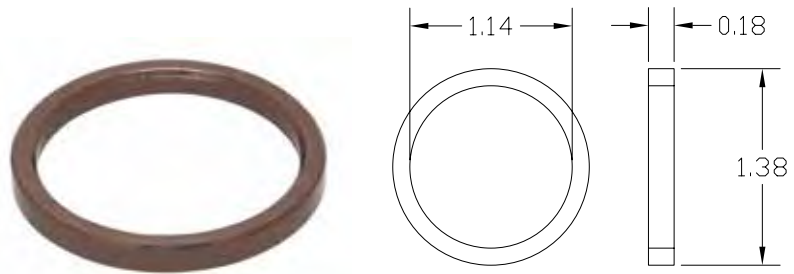
**861X Stamped Collar**

- Stamped Aluminum Construction
- Thickness: 13/64" (5.2mm)
- Finishes - 10B, 26D, 26, 28



**861 Solid Collars**

- Aluminum Construction
- Finishes - 03,04,10,10B, 26, 26D, 28, 29, 46



MODEL	THICKNESS
861C	3/32" (2.4mm)
<b>861D</b>	1/8" (3.2mm)
861E	5/32" (4.0mm)
<b>861F</b>	1/4" (6.4mm)

MODEL	THICKNESS
861K	3/16" (4.8mm)
<b>861L</b>	7/32" (5.6mm)
861M	9/32" (7.1mm)
<b>861N</b>	5/16" (7.9mm)

MODEL	THICKNESS
861P	11/32" (7.1mm)
<b>861Q</b>	3/8" (9.5mm)
861R	1/2" (12.7mm)
<b>861T</b>	5/8" (15.9mm)



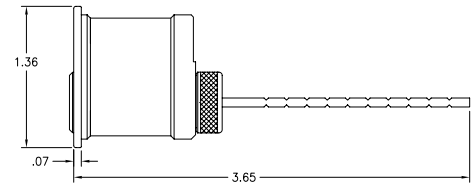
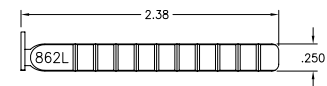
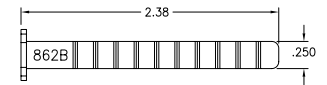
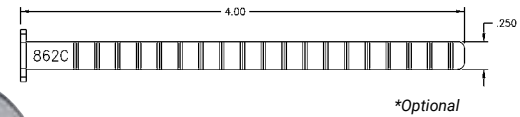
# Rim Cylinders

Iico Rim Cylinders are machined from solid brass bar stock, engineered and manufactured to OEM specifications. Master Key and Grand Master Key quality, and are re-keyable to original manufacturers systems. The broad selection of models and components within our line provides you with the flexibility to cover numerous applications

**Rim Cylinders are used on 1 3/8" (35mm) – 2 1/4" (57 mm) thick doors.**

## 7075 & 7076 Rim Cylinders - Keyed

- Model 7076 is 6 pin
- 14 finishes - 03, 03P, 04, 05, 10, 10B, 15, 26, 26D, 28, 29, 32, 32D, 46
- 31 keyways
- Screw cap design
- 1 1/8" (28.6mm) Length
- Includes rigid tailpiece installed and lazy action tailpiece in box
- Includes trim ring, mounting plate, and break off screws
- Horizontal or vertical tailpiece
- Factory master keying/construction master keying available



## 7010 Rim Cylinders - Dummy

- 14 finishes - 03, 03P, 04, 05, 10, 10B, 15, 26, 26D, 28, 29, 32, 32D, 46
- 1 1/8" (28.6mm) Length
- Includes trim ring, mounting plate, and break off screws



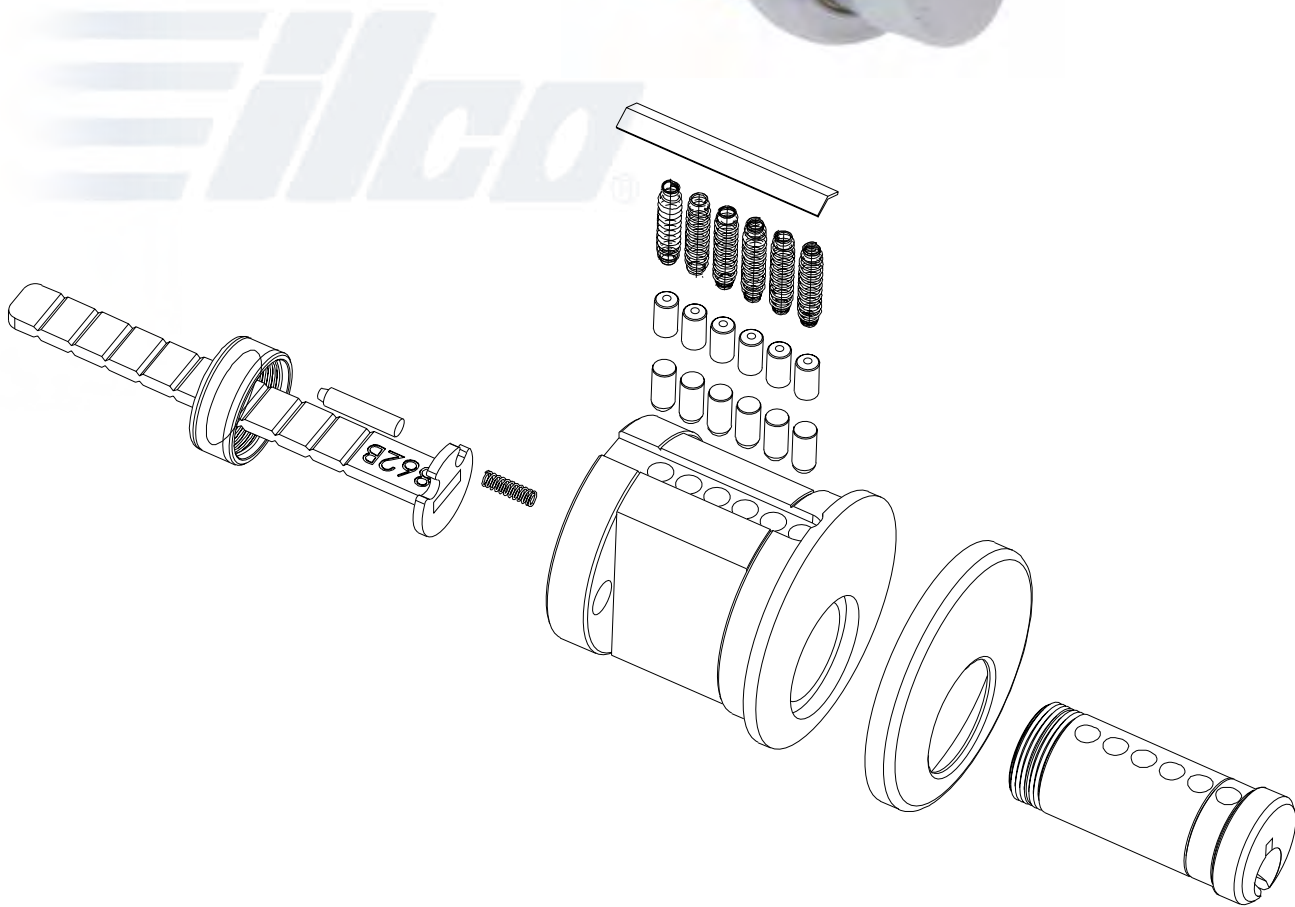
## 7011 Rim Cylinders - Turnknob

- 12 finishes - 03, 04, 05, 10, 10B, 26, 26D, 28, 29, 32, 32D, 46
- 1 1/8" (28.6mm) Length
- Includes trim ring, mounting plate, and break off screws
- Horizontal or vertical tailpiece



### ADA 7011 Rim Cylinders - Turnknob

- American for Disabilities Act compliant
- 4 finishes - 03, 10B, 26D, 29
- 1 1/8" (28.6mm) Length
- Includes trim ring, mounting plate, and break off screws
- Horizontal or vertical tailpiece



### Rim Cylinder ACCESSORIES & PARTS

#### Mounting Plates

749-22-10	Universal Mounting Plate
750B-00-10	Standard Mounting Plate

#### Tailpieces

862B-00-10	Rigid Tailpiece, for Rim Cylinder Model 7075 & 7076, 2 3/8" (60.3mm)
862C-00-10	Rigid Tailpiece, for Rim Cylinder Model 7075 & 7076, 4" (101.6mm)
862L-00-10	Lazy Tailpiece for Rim Cylinder Model 7075 & 7076, 2 3/8" (60.3mm)
1599SW-00-10	Split washer for 862L Lazy Tailpiece

#### Trim Rings 861S

12 finishes	03, 04, 05, 10, 10B, 26, 26D, 28, 29, 32, 32D, 46
-------------	---

# Key-In-Knob, Key-In-Lever, & Key-In-Deadbolt Cylinders

Ilco KIK, KIL and KID Cylinders are machined from solid brass bar stock, engineered and manufactured to OEM specifications. Master Key and Grand Master Key quality, and are re-keyable to original manufacturers systems. The broad selection of models and components within our line provides you with the flexibility to cover numerous applications. All KIK, KIL, and KID cylinders are available factory master keyed/construction master keyed.

## 1599 Knob, Lever and Deadbolt Cylinder

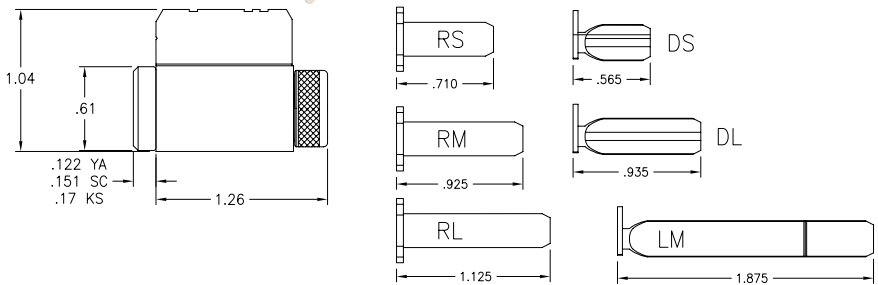
Universal Knob/Lever Locksets—Including Schlage,  
Plus Arrow® and Schlage® Deadbolts

- 2 finishes - 04, 26D
- 31 Keyways
- 6 Tailpieces included (3 rigid in different lengths, 1 lazy for single deadbolt, 2 lazy in different lengths for double deadbolt)

**15985** — 5 pin

15995 — 5 pin, drilled 6

**15996** — 6 pin



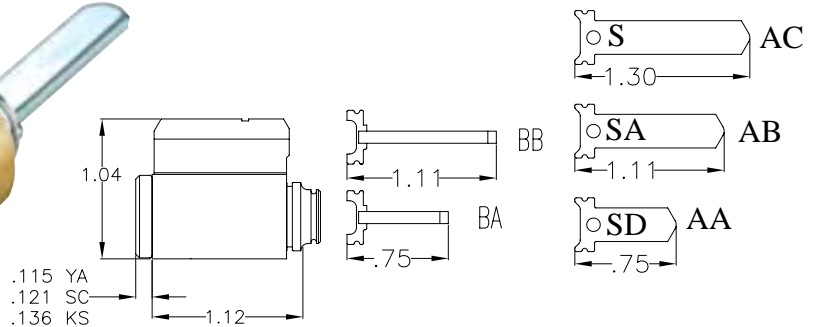
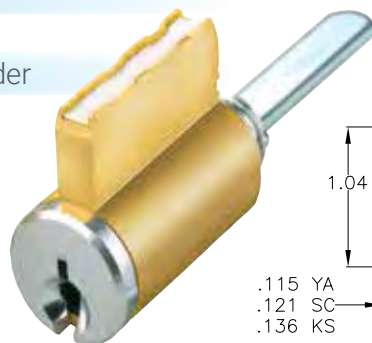
## 1539 Knob and Lever Cylinder

- 2 finishes - 04, 26D
- 31 Keyways
- 3 Rigid Tailpieces included, 2 additional tailpieces (BA & BB) for Sargent® Keyways

**15395** — 5 pin, drilled 6

1539 — 6 pin

**1539** — Dummy Cylinder





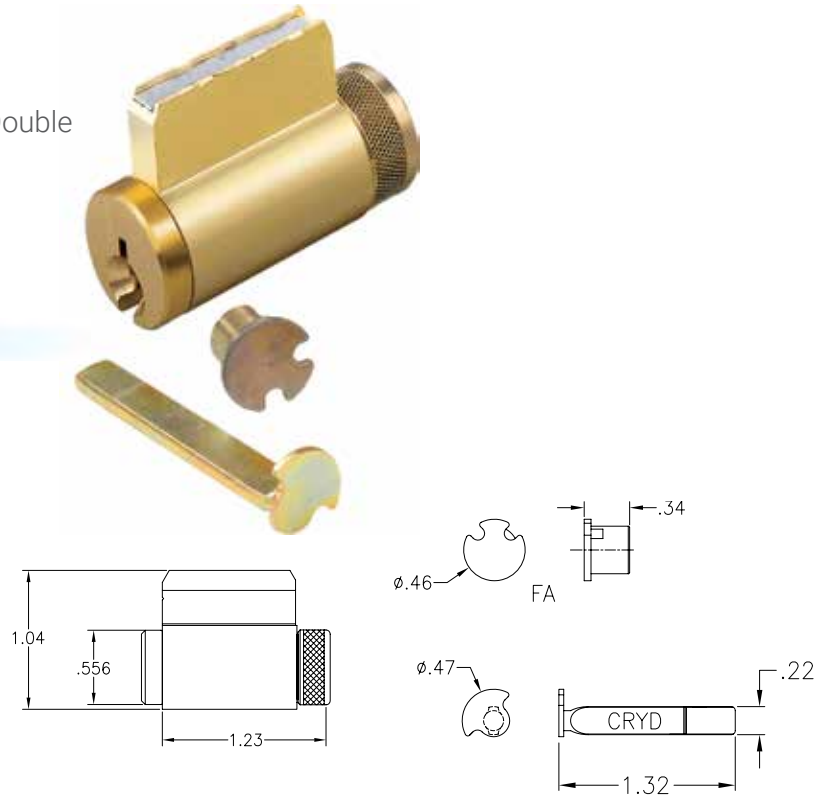
### 1549 Deadbolt Cylinder

For Yale® and Corbin® Single and Double Cylinder, Grade 1 & 2 Deadbolts

- 2 finishes - 04, 26D
- 31 Keyways
- Includes tailpiece & adapter

**15495** – 5 pin

15496 – 5 pin, drilled 6

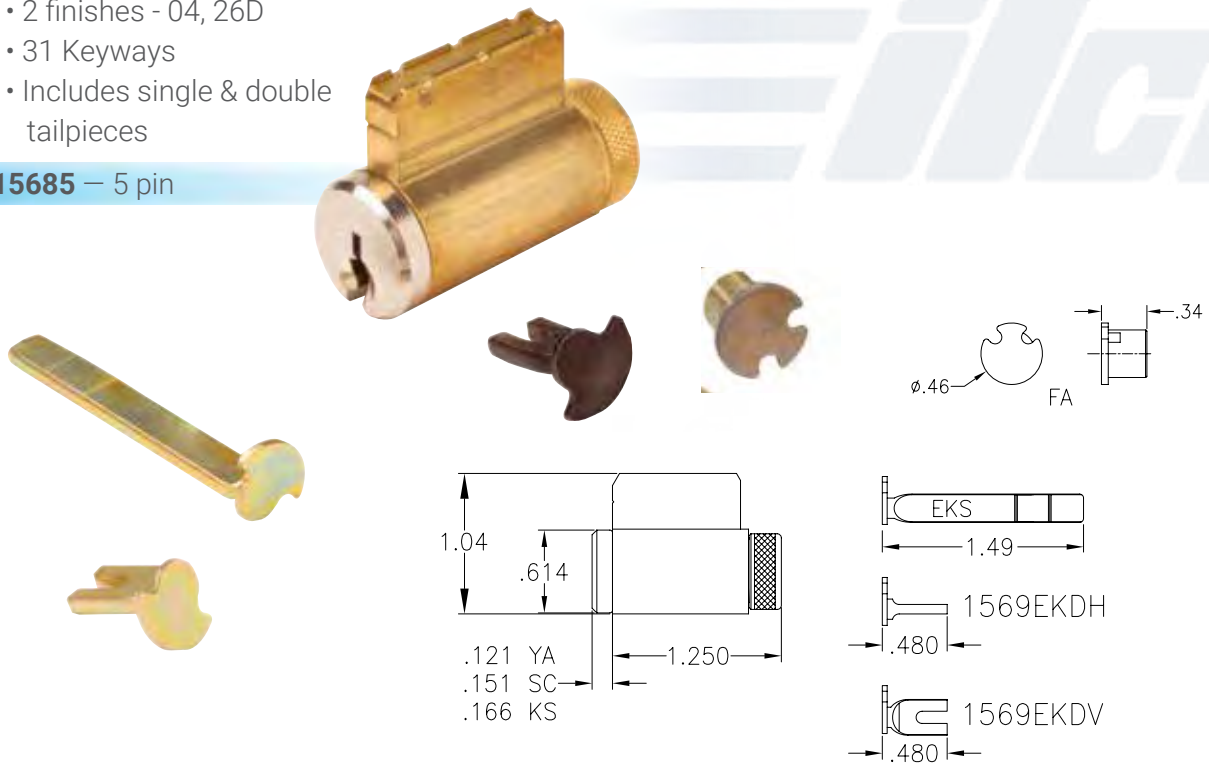


### 1568 Knob, Lever and Deadbolt Cylinder

For most Emtek® Knobs, Levers and Deadbolts

- 2 finishes - 04, 26D
- 31 Keyways
- Includes single & double tailpieces

**15685** – 5 pin

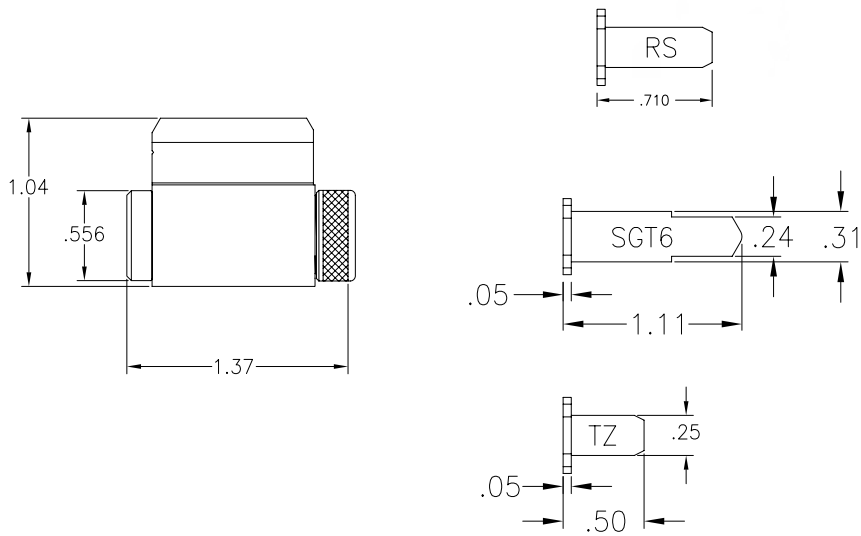


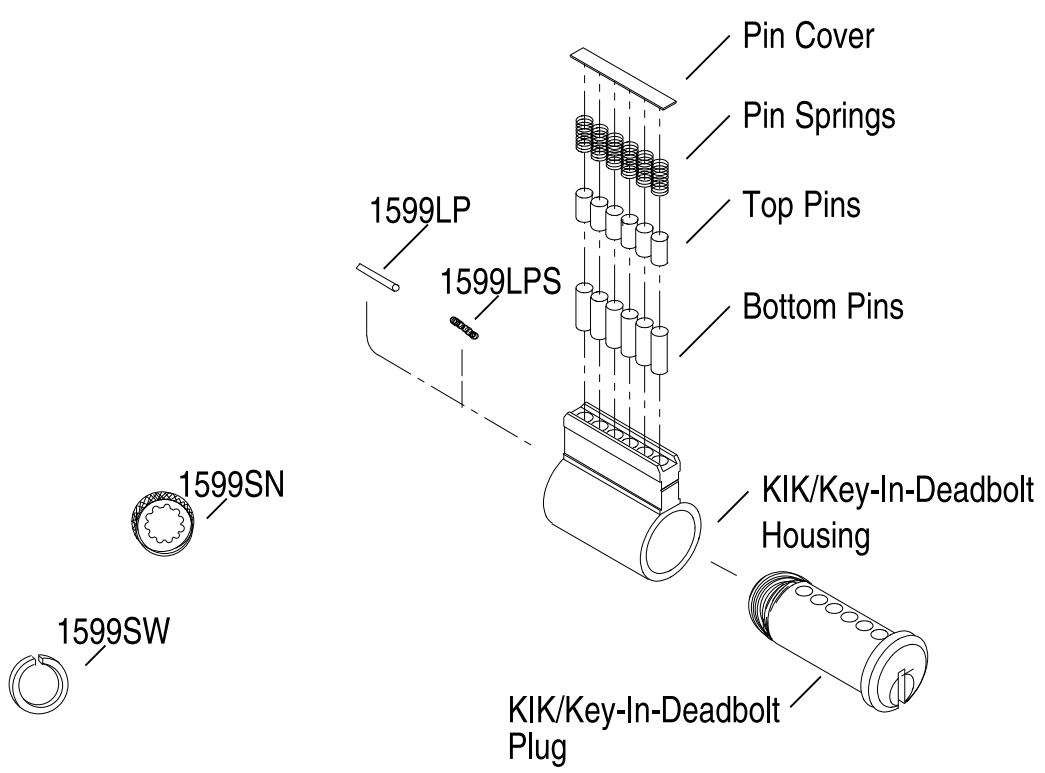
## 1579 Knob and Lever Cylinder

For Sargent® 6, 10 and 11 (T-Zone) lines. Also fits many Weiser® applications when using the Weiser Tailpiece (sold separately).

- 2 finishes - 04, 26D
- 31 Keyways
- Includes 3 tailpieces

**15795** — 5 pin, drilled 6  
15796 — 6 pin





## Key-In-Knob, Key-In-Lever, & Key-In-Deadbolt Cylinder ACCESSORIES & PARTS

**For all Knob, Lever and Deadbolt Cylinders**  
 1500BH Bump Halt Kit

**For 1599:**  
 1599DL-00-10 Double Deadbolt Long Lazy Tailpiece  
 1599DS-00-10 Double Deadbolt Short Lazy Tailpiece  
 1599LM-00-10 Single Deadbolt Long Lazy Tailpiece  
 1599RL-00-10 KIK/KIL Long Tailpiece  
 1599RM-00-10 KIK/KIL Medium Tailpiece  
 1599RS-00-10 KIK/KIL Short Tailpiece  
 1599FT-00-10 Falcon T Series Tailpiece  
 1599CL-00-10 CL3900 Corbin/Ruswin Tailpiece  
 1599LP-00-10 Screw Cap Lock Pin  
 1599LPS-00-10 Screw Cap Lock Pin Spring  
 1599SN-00-10 Screw Cap  
 1599SW-00-10 Split Washer for Lazy Tailpieces  
 1599PSW-00-10 Plastic Spacer Washer  
 1599TPK-00-10 Standard 6 Piece 1599 Cylinder Tailpiece Kit

**For 1539:**  
 702LA-00-10 "O" Ring Tailpiece Retainer  
 702LB-00-10 Snap Ring Tailpiece Retainer  
 702LD-00-10 Plug "E" Ring Retainer  
 1539AA-00-10 Standard Short Tailpiece  
 1539AB-00-10 Standard Medium Tailpiece  
 1539AC-00-10 Standard Long Tailpiece  
 1539BA-00-10 Sargent Short Tailpiece  
 1539BB-00-10 Sargent Medium Tailpiece  
 1539CA-00-10 Sargent Long Tailpiece

1539DA-00-10 Anderson French & Sliding Door Tailpiece  
 1539FA-00-10 Falcon B Series Lever Tailpiece  
 1539FB-00-10 Falcon S Series Short Tailpiece  
 1539FC-00-10 Falcon S Series Medium Tailpiece  
 1539FD-00-10 Falcon S Series Long Tailpiece  
 1539GA-00-10 Marks Knob Locks (same as 1903-L9)  
 1539GB-00-10 Marks lever Locks (same as 1903-SL9)  
 1539LA-00-10 PDQ Short Tailpiece  
 1539LB-00-10 PDQ Medium Tailpiece  
 1539LC-00-10 PDQ Long Tailpiece

**For 1549:**  
 1549CRYD Standard Tailpiece  
 1549FA Standard Female Adapter

**For 1569:**  
 1569EKDH Double Deadbolt Horizontal Tailpiece (Black)  
 1569EKDV Double Deadbolt Vertical Tailpiece (Chromate)  
 1569EKS Single Deadbolt tailpiece  
 1569FA Knob & Lever Female Adapter

**For 1579:**  
 1579WDTPK For Use With Weiser Deadbolts  
 1579SGT6 6 Line Tailpiece  
 1599RS 10 Line Tailpiece  
 1579TZ 11 Line ( T-Zone) Tailpiece

# IC Cores and Housings

## IC Cores

Ilco IC Cores are machined from solid brass bar stock, engineered and manufactured to OEM specifications. Master Key and Grand Master Key quality and are re-keyable to original manufacturers systems.

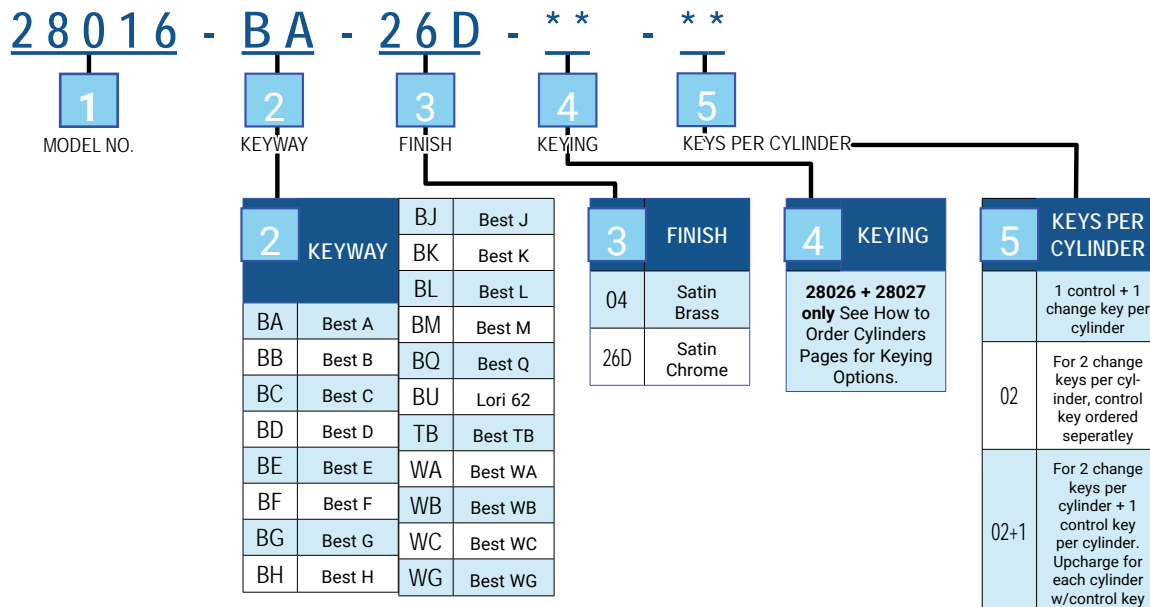
### Small Format IC Core

- 2 finishes - 04, 26D
- 18 Keyways
- Available uncombined (no keys) and combined (2 keys standard)
- Construction Core; 2 Changes keys, 1 Control Key



<b>28016</b>	6 Pin uncombined
28016W	6 Pin W Series uncombined
<b>28017</b>	7 Pin uncombined
28017W	7 Pin W Series uncombined
<b>28026</b>	6 Pin combined
28026W	6 Pin W Series combined
<b>28027</b>	7 Pin combined
28027W	7 Pin W Series combined
<b>C28026-26D</b>	Standard Construction Core, combined, Satin Chrome finish
C28026-Blue	Standard Construction Core, combined, Blue Painted
<b>C28026-Red</b>	Standard Construction Core, combined Red painted
C28026-Marketing-Black	Ilco Marketing Core, combined, Black painted

### How To Order SFIC Core





### Large Format IC Core - Schlage® Size

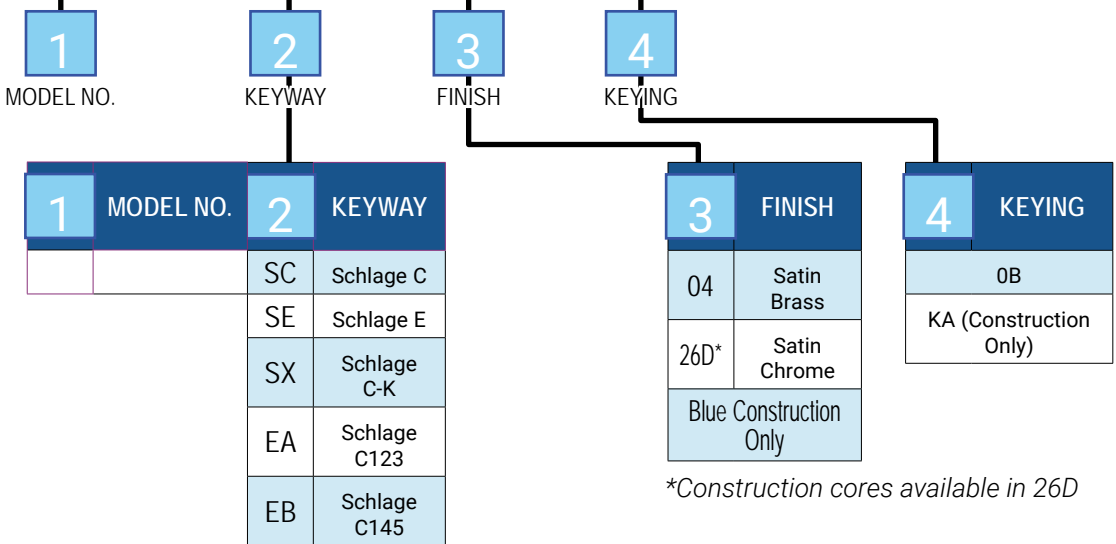
- 2 finishes - 04, 26D
- 5 Keyways
- Uncut control key included
- Cores pinned to blade height
- Construction Core model number C26026



<b>26026</b>	6 Pin to blade height
C26026	6 Pin KA, SC Keyway, blue or 26D scalp, 2 Change Keys, 1 Control Key

### How To Order LFIC

**26026 - SC - 26D - 0B**



\*Construction cores available in 26D

6 Pin Blade Height Combined with Control Key-No Key Blanks Included



## IC Housings

Ilco IC Housings are machined from solid brass bar stock, engineered and manufactured to OEM specifications.

### R2800 Series - Small Format IC Core Convertible Housing

- 6 finishes - 03, 04, 10, 10B, 26D, 26
- Interchangeable cams provide flexibility
- Small and Large format mortise housings utilize the same cams
- Thin Head Mortise Style converts to Rim using the R2800 kit (sold separately)
- Available in Tapered Head Mortise Style
- Compatible with manufacturers of all small format Best® size cores

<b>R28106</b>	Thin Head Mortise, 1 1/4", (31.7mm), 6 Pin
R28107	Thin Head Mortise, 1 3/8", (34.9mm), 6 & 7 Pin
<b>R28507</b>	Thin Head Mortise, 1 1/2", (38.1mm), 6 & 7 Pin
R28607	Thin Head Mortise, 1 5/8" (41.2mm), 6 & 7 Pin
<b>R28206</b>	Thin Head Rim, 1 1/4", (31.7mm), 6 Pin
R28207	Thin Head Rim, 1 3/8", (34.9mm), 6 & 7 Pin
<b>R28406</b>	Tapered Head Mortise, 15/16", (23.8mm), 6 Pin
R28407	Tapered Head Mortise, 1", (25.4mm), 6 & 7 Pin



### S2600 Series - Large Format IC Core Convertible Housing - Schlage® Size

- 4 finishes - 03, 10B, 26D, 26
- Length: 1 1/2" (38.1mm)
- Interchangeable cams provide flexibility
- Small and Large format mortise housings utilize the same cams
- Accept Schlage® size large format interchangeable cores
- Mortise style converts to Rim using the S2600 kit (sold separately).

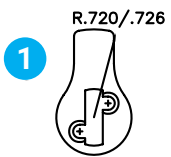
<b>S26506</b>	Mortise
S26206	Rim



## SFIC & LFIC ACCESSORIES & PARTS

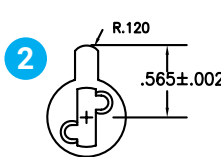
- R2800 Rim Conversion Kit
- S2600 Rim Conversion Kit
- R2800-00-8X
- R2800SP-00-10
- R2800CS-00-100
- R2800G#1-00-10
- R2800A#2-00-10
- R2800S#3-00-10
- R2800M#4-00-10
- R2800N#5-00-10
- R2800V#6-00-10
- R2800R#7-00-10
- 862A-00-10
- R2800RR-00-10
- R2800TR-00-10
- R2800TE-00-10
- R2800AP-00-10
- S2600AP-00-10
- SFIC Mortise to Rim Cylinder Conversion Kit
- LFIC Mortise to Rim Cylinder Conversion Kit
- Assorted Parts & Accessories Kit
- Plastic Spacer for placing a 6 Pin Core in a 7 Pin Housing
- Cam Screws 100/bg.
- Standard IC Cam
- Adams Rite IC Cam
- Clover IC Cam
- Schlage L IC Cam
- Sargent/Yale IC Cam
- Falcon/Saflok IC Cam
- Lori Mortise Deadbolt IC Cam
- Rim Cylinder Tailpiece 2 3/8" (60.3mm)
- Retaining Ring, Rim Cylinder Adapter
- Retaining Ring, Rim Tailpiece
- Thread Extender
- Plastic Housing Tool
- Plastic Housing Tool

## Mortise Cylinder Cam Styles



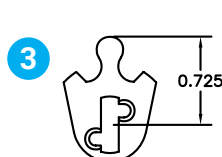
**1**

**R2800G#1-00-10**  
Standard Yale  
DH0579XXXX



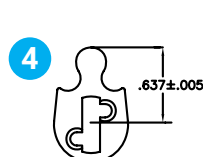
**2**

**R2800A#2-00-10**  
Adams Rite  
DH0580XXXX



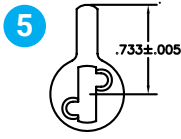
**3**

**R2800S#3-00-10**  
C-R/Best Clover  
DH0581XXXX



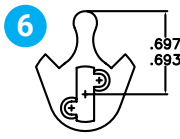
**4**

**R2800M4#1-00-10**  
Schlage L  
DH0582XXXX



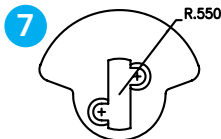
**5**

**R2800N#5-00-10**  
Sargent-Yale  
DH0583XXXX



**6**

**R2800V#6-00-10**  
Falcon/Saflok  
DH0756XXXX



**7**

**R2800R#7-00-10**  
Lori Deadbolt  
DH0740XXXX

## How To Order I.C. Housing (Removable Cam)

**R 28106 - 1 - 26D**

**1** MODEL NO.      **2** CAM OR TAILPIECE      **3** FINISH

<b>2 CAM OR TAILPIECE</b>		<b>5</b> Sargent Yale	
<b>0</b>	No Cam	<b>6</b>	Falcon / Saflok Clover
<b>1</b>	Standard (Yale)	<b>7</b>	Lori Fan Cam Lori Deadbolt
<b>2</b>	Adams Rite	-	
<b>3</b>	Cloverleaf (Corbin / Russwin / Best)	<b>9</b>	Rim Only
<b>4</b>	Schlage L	See How to Order Cylinders Page for Sample Images	

<b>3 FINISH</b>	
<b>03</b>	Bright Brass
<b>04*</b>	Satin Brass
<b>10*</b>	Satin Bronze
<b>10B</b>	Oil-Rubbed Bronze
<b>26D</b>	Satin Chrome
<b>26</b>	Bright Chrome

\* Not available for S2600 Series

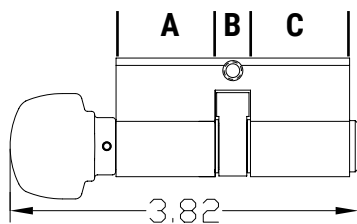
# Profile Cylinders

Ilco Profile Cylinders are machined from solid brass bar stock and engineered to exacting specifications. Commonly used in European Style Mortise Locks.

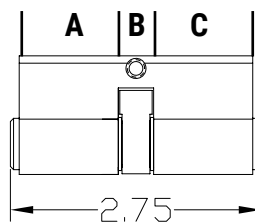
- 3 finishes - 03, 04, 26D
- Double Cylinder, Single Cylinder, Half Cylinder Keyed and Turnknob styles
- Rekeyable
- Chamber caps M4 0.70X6mm long set screws
- Custom lengths and finishes available by quote



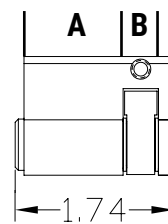
	LENGTH		
	A	B	C
<b>Turnknob</b>			
<b>51221</b> Double Turnknob	28mm	10mm	28mm
<b>5222E</b> Turnknob Inside, Privacy/Emergency Slot Outside	28mm	10mm	28mm
<b>52225</b> Turnknob Inside, 5 pin, Keyways: SC, SE, SF, SX, CD, KS (composite), WA (Composite)	28mm	10mm	28mm
<b>52885</b> Turnknob Inside, 5 pin, Keyways: SC, SE, SF, SX, CD, KS (composite), WA (Composite)	25mm	10mm	25mm
<b>52336</b> Turnknob Inside, 6 pin, Keyways: SC, SE, SF, SX	30mm	10mm	30mm
<b>523A6</b> Turnknob Inside, 6 pin, Keyways: GA, GC	30mm	10mm	32mm
<b>Double (Keyed Both Sides)</b>			
<b>53225</b> Keyed Both Sides, 5 pin, Keyways: SC, SE, SF, SX, CD, KS (composite), WA (Composite)	28mm	10mm	28mm
<b>53226</b> Keyed Both Sides, 6 pin, Keyways: SC, SE, SF, SX, CD, KS (composite), WA (Composite)	28mm	10mm	28mm
<b>53885</b> Keyed Both Sides, 5 pin, Keyways: SC, SE, SF, SX, CD, KS (composite), WA (Composite)	25mm	10mm	25mm
<b>Half Cylinder</b>			
<b>53025</b> Keyed Outside, 5 pin, Keyways: SC, SE, SF, SX, CD, KS (composite), WA (Composite)	28mm	10mm	---
<b>53026</b> Keyed Outside, 6 pin, Keyways: SC, SE, SF, SX	28mm	10mm	---
<b>52021</b> Turnknob Inside	28mm	10mm	---



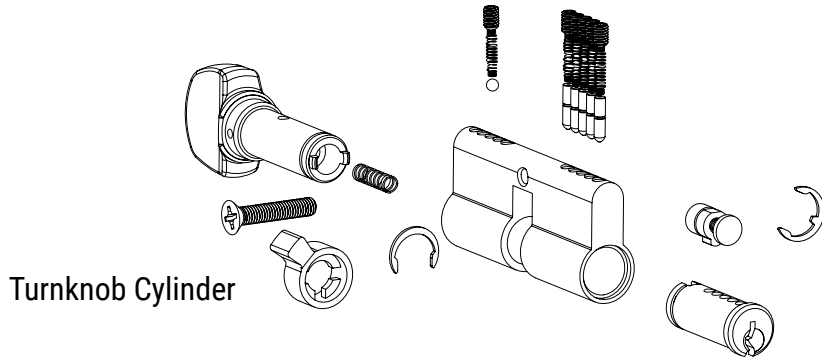
Turnknob Cylinder



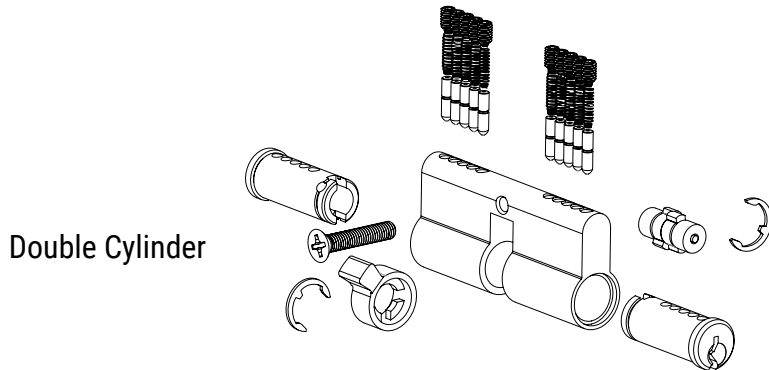
Double Cylinder



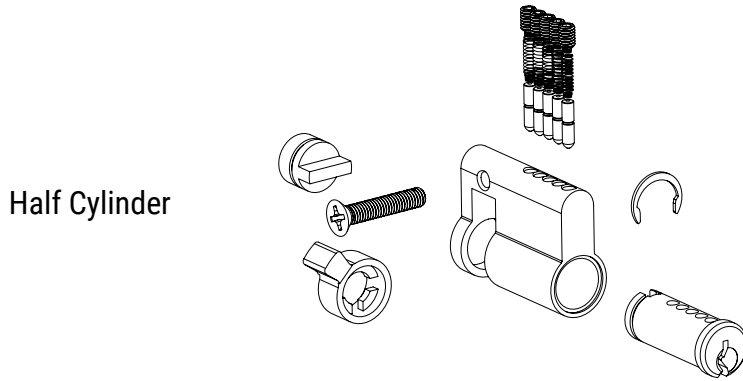
Half Cylinder



Turnknob Cylinder



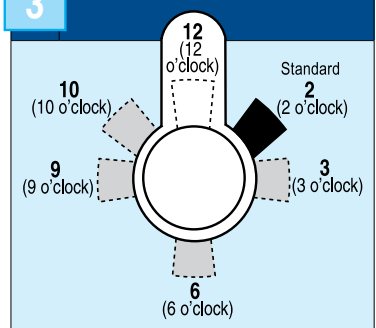
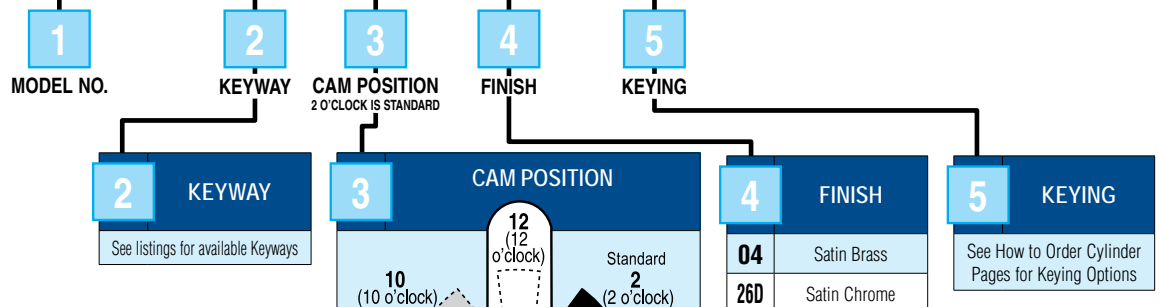
Double Cylinder



Half Cylinder

How To Order Profile Cylinders

**5 2 2 2 5 - S C 6 - 2 6 D - \* \***








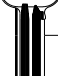





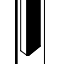


Cam position view is from inside dwelling


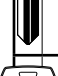


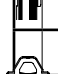









<b>04</b>	Satin Brass
<b>26D</b>	Satin Chrome



# Stock List

Ilco Stock List Brass Cylinders 2020						
Arrow 1179 (AA)	Segal 9 (FA)	Kwikset 1176 (KS)	Schlage C (SC)	Schlage C-K (SX)	Weiser 1555 (WE)	Dummys
7165AA2-03-KA2	7165FA2-03-KA2	7165KS2-03-KA2	7155SC2-26D-KA2	7165SX2-26D-KD	7165WE2-26D-KA2	7150DC-03
7165AA2-26D-KA2	7165FA2-26D-KA2	7165KS2-26D-KA2	7165SC2-10B-KA2	7165SX2-03-KA2	7165WE2-26D-KD	7150DC-10B
7165AA2-46-KA2	7165FA2-46-KA2	7165KS2-46-KA2	7165SC2-03-KA2	7165SX2-26D-KA2	7185WE1-26D-KD	7150DC-26D
7185AA1-03-KD	7185FA1-03-KD	7185KS1-03-KD	7165SC2-26D-KA2	7165SX2-46-KA2	7185WE1-26D-KA2	7160DC-03
7185AA1-26D-KD	7185FA1-26D-KD	7185KS1-26D-KD	7165SC2-26D-KD	7165SX2-46-KD	7075WE10-26D-KD	7160DC-10B
7185AA1-03-KA2	7185FA1-03-KA2	7185KS1-03-KA2	7165SC2-46-KA2	7185SX1-03-KD	15995WE-26D-0B	7160DC-26D
7185AA1-26D-KA2	7185FA1-26D-KA2	7185KS1-26D-KA2	7185SC1-03-KD	7185SX1-26D-KD	15995WE-26D-KD	7160DC-46
7205AA1-03-KD	7185FA1-03-TE6060	7205KS1-03-KD	7185SC1-26D-KD	7185SX1-03-KA2	<b>Yale 8 (YA)</b>	7180DC-03
7205AA1-26D-KD	7205FA1-03-KD	7205KS1-03-KA2	7185SC2-26D-KD	7185SX1-26D-KA2	7165YA2-03-KA2	7180DC-10B
7205AA1-03-KA2	7205FA1-26D-KD	7075KS10-03-KD	7185SC1-10B-KA2	7185SX1-46-KA2	7165YA2-26D-KA2	7180DC-26D
7205AA1-26D-KA2	7205FA1-03-KA2	7075KS10-26D-KD	7185SC1-03-KA2	7205SX1-03-KD	7165YA2-46-KA2	7180DC-46
7075AA10-03-KD	7205FA1-26D-KA2	7075KS10-03-KA2	7185SC1-26D-KA2	7205SX1-26D-KD	7185YA1-03-KD	7200DC-03
7075AA10-26D-KD	7205FA1-03-TE6060	7075KS10-26D-KA2	7185SC1-46-KA2	7205SX1-03-KA2	7185YA1-26D-KD	7200DC-26D
7075AA10-03-KA2	7075FA10-03-KD	15395KS-04-0B	7185SC2-26D-KA2	7205SX1-26D-KA2	7185YA1-03-KA2	7200DC-46
7075AA10-26D-KA2	7075FA10-26D-KD	15395KS-04-KD	7205SC1-03-KD	7075SX10-03-KD	7185YA1-26D-KA2	7100DC-03
15395AA-04-0B	7075FA10-03-KA2	15395KS-26D-0B	7205SC1-26D-KD	7075SX10-26D-KD	7205YA1-03-KD	7010DC-10B
15395AA-04-KD	705FA10-26D-KA2	15395KS-26D-KD	7205SC1-03-KA2	7075SX10-03-KA2	7205YA1-26D-KD	7010DC-26D
15395AA-26D-0B	<b>Sargent LA (GA)</b>	15995KS-04-0B	7205SC1-26D-KA2	7075SX10-26D-KA2	7205YA1-03-KA2	7010DC-46
15395AA-26D-KD	7185GA1-03-KD	15995KS-04-KD	7075SC10-03-KD	15395SX-04-0B	7205YA1-26D-KA2	<b>Schlage C145 (EB)</b>
15995AA-04-0B	7185GA1-26D-KD	15995KS-26D-0B	7075SC10-26D-KD	15395SX-04-KD	7075YA10-03-KD	7186EB1-03-0B-00
15995AA-04-KD	7185GA1-03-KA2	15995KS-26D-KD	7075SC10-46-KD	15395SX-26D-0B	7075YA10-26D-KD	7186EB1-10B-0B-00
15995AA-26D-0B	7185GA1-26D-KA2	<b>1004 Lockwood (LA)</b>	7075SC10-03-KA2	15395SX-26D-KD	7075YA10-03-KA2	7186EB1-26D-0B-00
15995AA-26D-KD	15395GA-04-0B	7185LA1-03-KD	7075SC10-26D-KA2	15995SX-04-0B	7075YA10-26D-KA2	7186EB1-46-0B-00
<b>Corbin 60 (CA)</b>	15395GA-04-KD	7205LA1-03-KD	7075SC10-46-KA2	15995SX-04-KD	15395YA-04-0B	7206EB1-10B-0B-00
7185CA1-03-KD	15395GA-26D-0B	<b>Ruswin D1 (RB)</b>	15395SC-04-0B	15995SX-26D-0B	15395YA-04-KD	7206EB1-26D-0B-00
7185CA1-26D-KD	15395GA-26D-KD	7165RB2-03-KA2	15395SC-04-KD	15995SX-26D-KD	15395YA-26D-0B	7206EB1-46-0B-00
7185CA1-03-KA2	15995GA-04-0B	7165RB2-26D-KA2	15395SC-26D-0B	<b>Weiser/Falcon E (WA)</b>	15395YA-26D-KD	7076EB10-03-0B-00
7185CA1-26D-KA2	15995GA-04-KD	7165RB2-46-KA2	15395SC-26D-KD	7165WA2-03-KA2	15995YA-04-0B	7076EB10-10B-0B-00
15395CA-26D-0B	15995GA-26D-0B	7185RB1-03-KD	15995SC-04-0B	7165WA2-26D-KA2	15995YA-04-KD	7076EB10-26D-0B-00
15395CA-26D-KD	15995GA-26D-KD	7185RB1-26D-KD	15995SC-04-KD	7165WA2-46-KA2	15995YA-26D-0B	7076EB10-46-0B-00
15995CA-26D-KD	<b>Schlage C123 (EA)</b>	7185RB1-03-KA2	15995SC-26D-0B	7185WA1-03-KD	15995YA-26D-KD	15996EB-04-0B-00
15995CA-26D-0B	7186EA1-03-0B-00	7185RB1-26D-KA2	15995SC-26D-KD	7185WA1-26D-KD	<b>Yale GA (YG)</b>	15996EB-26D-0B-00
<b>Corbin/Ruswin L4 (CE)</b>	7186EA1-10B-0B-00	7205RB1-03-KD	<b>Schlage E (SE)</b>	7185WA1-03-KA2	7185YG1-26D-0B	<b>Turnknobs</b>
15395CE-26D-0B	7186EA1-26D-0B-00	7205RB1-26D-KD	7165SE2-26D-KA2	7185WA1-26D-KA2	7185YG1-26D-KA2	7151TK2-26D
15395CE-26D-KD	7186EA1-46-0B-00	7205RB1-03-KA2	7185SE1-03-KA2	7075WA10-03-KD	7185YG1-26D-KD	7161TK1-03
15995CE-26D-0B	7206EA1-10B-0B-00	7205RB1-26D-KA2	7185SE1-26D-KA2	7075WA10-26D-KD	7186YG2-26D-KA2	7161TK2-03
15995CE-26D-KD	7206EA1-26D-0B-00	15395RB-04-0B	7185SE1-26D-KD	7075WA10-03-KA2	7205YG1-26D-0B	7161TK2-10B
	7206EA1-46-0B-00	15395RB-04-KD	7205SE1-26D-KA2	7075WA10-26D-KA2	7205YG1-26D-KA2	7161TK2-26D
	7076EA10-03-0B-00	15395RB-26D-0B	7205SE1-26D-KD	15395WA-04-0B	7075YG10-26D-KA2	7161TK2-46
	7076EA10-10B-0B-00	15395RB-26D-KD	15395SE-04-0B	15395WA-04-KD	7075YG10-26D-KD	7181TK1-03
	7076EA10-26D-0B-00	15995RB-04-0B	7075SE10-26D-KA2	15395WA-26D-0B	15395YG-26D-KD	7181TK1-26D
	7076EA10-46-0B-00	15995RB-04-KD	7075SE10-26D-KD	15395WA-26D-KD	15395YG-26D-0B	7181TK1-46
	15996EA-04-0B-00	15995RB-26D-0B	15395SE-04-KD	15995WA-04-0B	15995YG-26D-KD	7181TK2-26D
	15996EA-26D-0B-00	15995RB-26D-KD	15395SE-26D-0B	15995WA-04-KD	15995YG-26D-0B	7201TK1-26D
		<b>Sargent LA-LC (GB)</b>	15395SE-26D-KD	15995WA-26D-0B		
		15395GB-26D-0B	15995SE-04-0B	15995WA-26D-KD		
		15395GB-26D-KD	15995SE-04-KD	<b>Ilco X1054K (UA)</b>		
		15995GB-26D-0B	15995SE-26D-0B	7205UA1-03-KD		
		15995GB-26D-KD	15995SE-26D-KD	7075UA10-03-KD		
		<b>Sargent RA-RC (GC)</b>	<b>Mortise Deadbolts</b>	<b>Lori L100 (UB)</b>		
		15395GC-26D-0B	45-1-4-04-26D-0	7075UB10-03-KD		
		15395GC-26D-KD	45-2-4-04-26D-0			
		15995GC-26D-0B	45-1-3-04-03P-0			
		15995GC-26D-KD	45-1-6-04-26D-0			
			45-1-4-04-26D-5-2-5-SC-KD			

Keyway	Order Code	ILCO®	5 Pin ILCO-EZ®	Look-Alike®	ILCO®	6 Pin ILCO-EZ®	Look-Alike®
 Arrow	AA	1179	AR1	K2-A	1179A	AR4	K7
 Composite	NA	R1064E	NA25	4295	This keyway accepts and can be pinned to Kwikset & Weiser E/Falcon 1" pin @ .246"		
 Composite	NB	1014C	HR1	-	This keyway accepts and can be repinned to Dexter, Falcon G, Harloc SE-1, Lori L200, Sargent S & U, and Westlock 1" pin @ .216"		
 Corbin 60	CA	1001EH	CO87	Z1-60-5	A1001EH	CO88	Z1-60-6
 Corbin 67	CB	1001EN	CO7	-	1001EG	CO36	-
 Corbin 77	CC	R1001EN	SK1	-	R1001EG	CO62	-
 Corbin / Russwin L4	CE	1011L-4	-	-	A1011-L4	RU101	-
 Corbin 59	CD	1001AH	-	-	A1001AH	CO91	Z1-59A1-6
 Ilco X1054K	UA	X1054K	IN3	-	-	-	-
 Kwikset 1176	KS	1176	KW1	1063KW	A1176	KW5	-
 Lockwood 1004	LA	1004	L1	B308	1004A	-	B310
 Lori L100, Harloc 700, Eagle 11929	UB	X1014F	EA27	Harloc	-	-	-
 Lori Locksmith 80	UE	5 pin only, order 80 Loricentric		-	-	-	-
 Loricentric 90	UD	-	-	-	6 pin only, order 90 Loricentric		-

Keyway	Order Code	ILCO®	5 Pin ILCO-EZ®	Look-Alike®	ILCO®	6 Pin ILCO-EZ®	Look-Alike®
 Russwin D1	RB	1011D1	RU45	5D1R	A1011D1	RU46	6D1R
 Russwin 981R	RA	N1011P	RU52	5981R	A1011P	RU16	-
 Sargent LA-LC	GB	1007LA	S22½	275LA	01007LA	S22	6275LA
 Sargent RA-RC	GC	1007RA	-	-	01007RA	-	-
 Sargent LA	GA	1007LA	S22½	275LA	01007LA	S22	6275LA
 Schlage C	SC	1145	SC1	100-C	1145A	SC4	101-C
 Schlage E	SE	1145E	SC8	100-E	A1145E	SC9	101-E
 Schlage F	SF	1145F	SC7	-	A1145F	SC10	101-F
 Schlage C-K	SX	Accepts all Schlage keys C to L					
 Segal 9	FA	1022	SE1	K9-Segal	1022AB	-	-
 Weiser Ez/ Falcon	WA	1054WB	WR3	1555	A1054WB	WR4	-
 Weiser 1555	WE	N1054WB	WR5	P1555	-	-	-
 Yale 8 (999)	YA	999	Y1	8-Yale	999A	Y2	-
 Yale GA	YG	999GA	-	-	998GA	Y78	-

Supply keying information on combined cylinder

# Storefront Hardware Cylinders

Ilco branded zinc die cast cylinders are used primarily for storefront lock and exit device applications. This cylinder is designed as an inexpensive option when brass quality and longevity is not a requirement.

## Mortise Zinc Die Cast Cylinders

- 1" (25.4 mm)
- Available 5 pin only
- Thread Size is 1 5/32" (29.36 mm)
- 3 finishes (Aluminum, Dark Bronze, Black)
- Stamped Trim Ring included

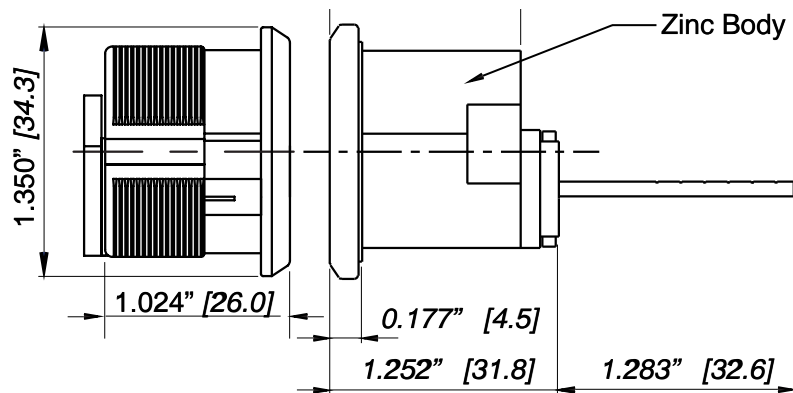
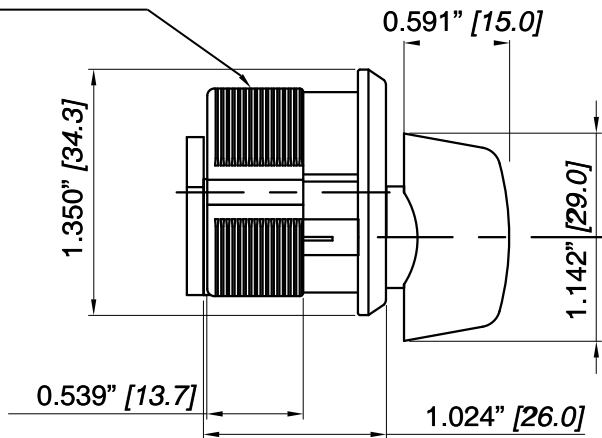
**MKC** Keyed Mortise, Schlage® C Keyway/AR Cam

**MTC** Turnknob Mortise, AR Cam

**MDC** Dummy Mortise

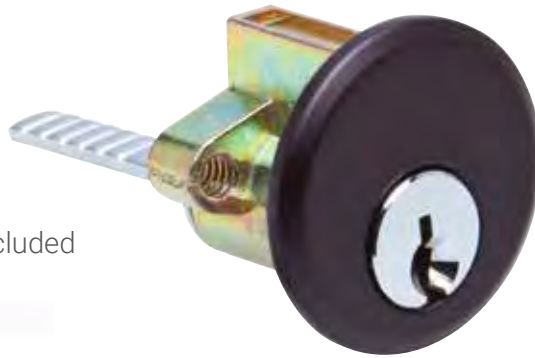


1.134" [28.8] - 32 Thread



### Rim Zinc Die Cast Cylinder

- Schlage® C Keyway
- Available 5 pin only
- 3 finishes (Aluminum, Dark Bronze, Black)
- Includes rigid tailpiece
- Stamped trim ring and mounting screws included



**RKC-RIM** Rim Cylinder

### CL- 404 Cylinder Guard

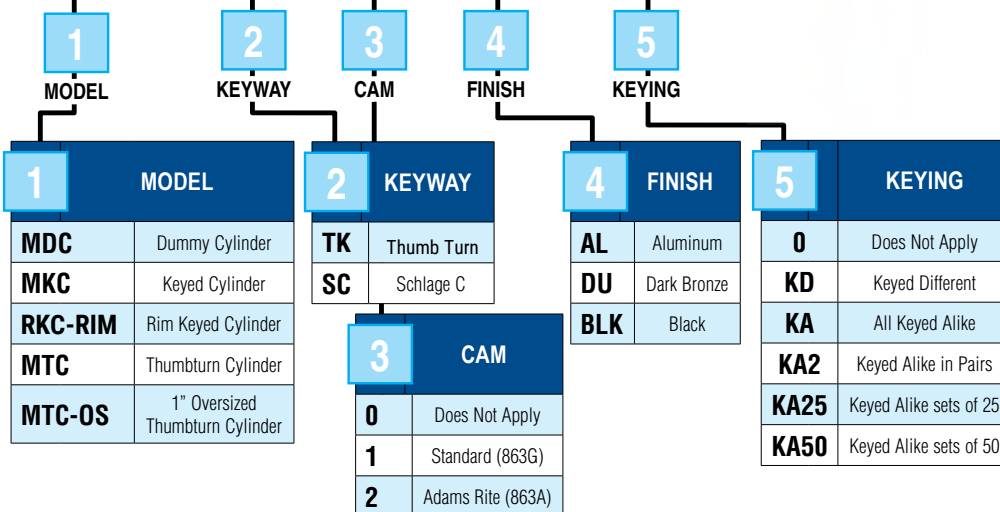
The CL-404 is designed specifically for Aluminum/Hollow Steel doors to fit standard 1/8" (3.18 mm) stile wall. CL-404 is constructed of corrosion resistant hardened steel and choice of 3 powdered coated finishes.

Includes steel security ring, 2 spacers and retainer plug.



### How To Order Die Cast Cylinders

**MKC - SC - 1 - AL - KA**



\*MDC - leave keyway, cam, and keying blank

# Storefront Hardware Deadbolts

## Deadbolt Mortise Lock – 185 Series

- For Aluminum Stile Doors
- Five-ply laminated steel bolt with concealed hardened steel pin provides maximum security on single leaf doors
- Cycle testing exceeds ANSI Grade 1 standards
- Steel case with corrosion resistant plating
- Accepts standard 1 5/32" (29.36 mm) Zinc or Brass threaded mortise cylinder
- Interchangeable with 451 Series Deadlatches

**Backsets:** 31/32" (24.59 mm), 1 1/8" (28.58 mm), 1 1/2" (38.1 mm)

**Bolt Dimension:** Straight Bolt: 5/8"W x 2 7/8"L (15.88 mm x 73.03 mm)

Hook Bolt: 5/8"W x 1 3/8"L (15.88 mm x 34.9 mm)

**Throw:** Straight Bolt: 1 3/8" (34.9 mm)

Hook Bolt: 13/16" (20.6 mm)



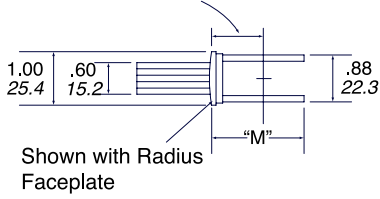
**Deadbolt**



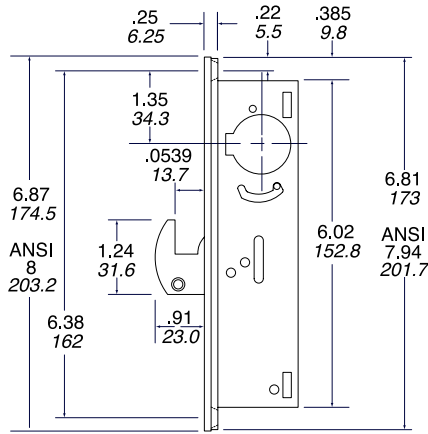
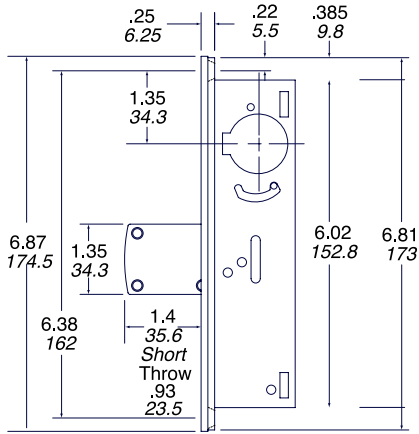
**Hookbolt**



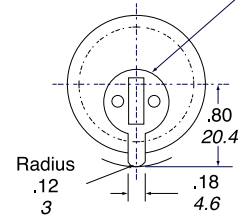
Backset must be measured at center line of Stile Nose



Backset	"M"
31/32"	1.63"
24.6	41.4
1-1/8"	1.79"
28.6	45.5
1-1/2"	2.14"
38.1	54.36



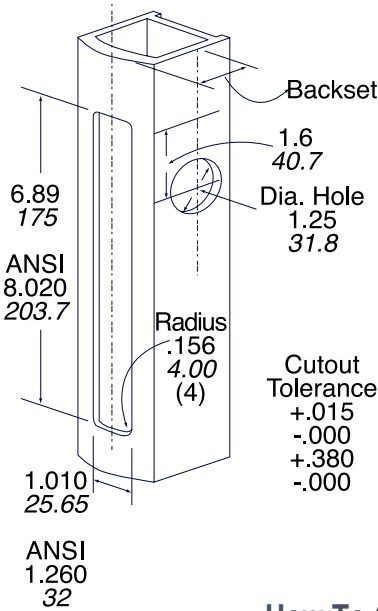
**Cylinder Cam** Cam No. "A"



Cam  $\pm .005$   
Tolerance  $\pm .13$

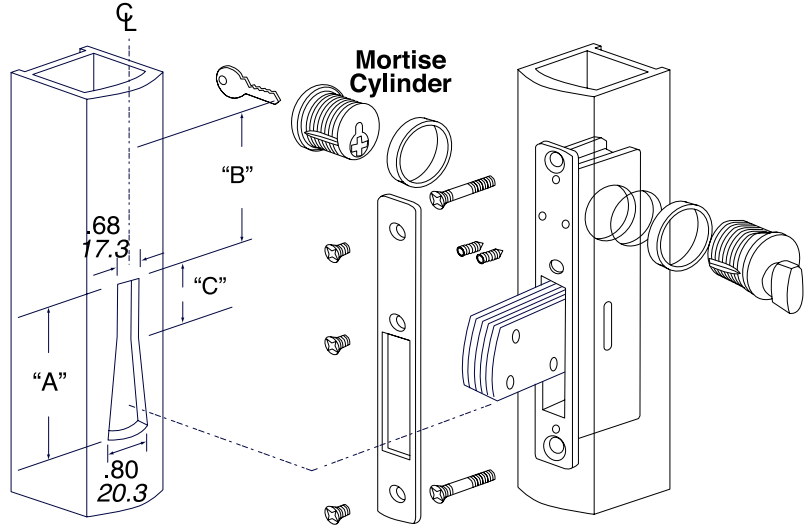
These locks are operable by any standard 1 1/2" diameter mortise cylinder with cam dimensions as shown.

**Stile Preparation**



Cutout Tolerance  
+.015  
-.000  
+.380  
-.000

**Lock & Stile**



**Stile**

**How To Order Mortise Deadbolts & Hookbolts Only**

**185 - 2 - NH - Single**

1	2	3	4
MODEL NO.	BACKSET	HANDING	PACKOUT
1 MODEL NO.	2 BACKSET	3 HANDING	4 PACKOUT
185 Deadbolt	2 31/32" (24.61mm)	NH No Hand	Single Individual Single Pack
HB185 Hookbolt	3 1" (28.58mm)		Bulk Bulk Pack
	4 1 1/2" (38.1mm)		

# Storefront Hardware Latches

## Deadlatch Mortise Lock – 451 Series

- For Aluminum Stile Doors
- Key controlled bolt holdback feature offers flexibility for traffic control on buildings that require free entrance during specific times and exit only for others
- Auxiliary latch bolt feature when in locked position provides additional security
- Zinc latch with Delrin insert for quiet operation
- Available left or right handed, field reversible handing
- Steel case with corrosion resistant plating
- Accepts standard 1 5/32" (29.36 mm) Zinc or Brass threaded mortise cylinder
- Cycle testing exceeds ANSI Grade 1 standards
- Interchangeable with 185 Series Deadbolts

**Backsets:**

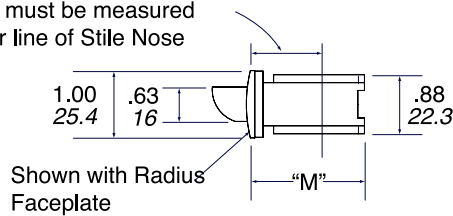
31/32" (24.59 mm), 1 1/8" (28.58 mm), 1 1/2" (38.1 mm)

**Latchbolt Dimensions:**

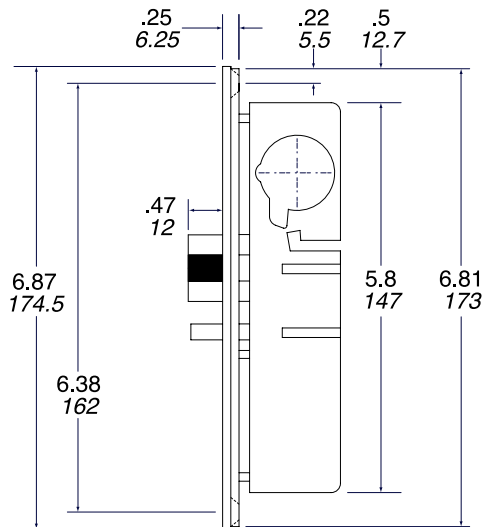
5/8"W x 1 1/2"L (15.88 mm x 38.1 mm)



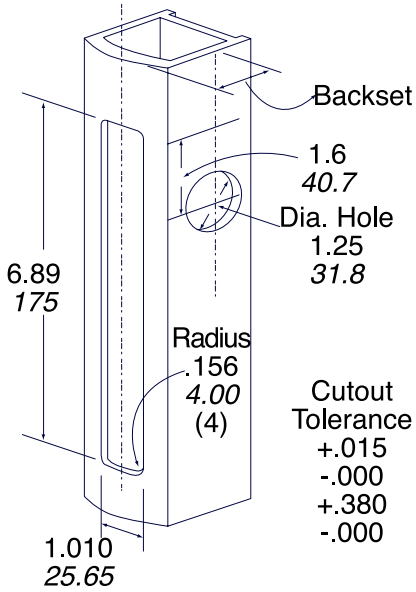
Backset must be measured at center line of Stile Nose



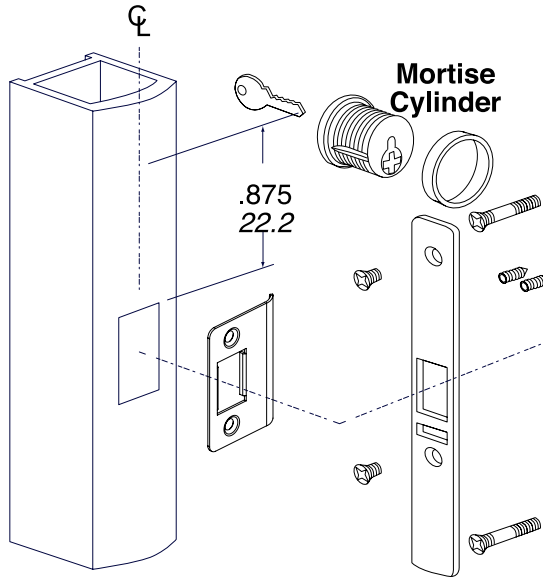
Backset	"M"
31/32"	1.63"
24.6	41.4
1-1/8"	1.79"
28.6	45.5
1-1/2"	2.14"
38.1	54.36



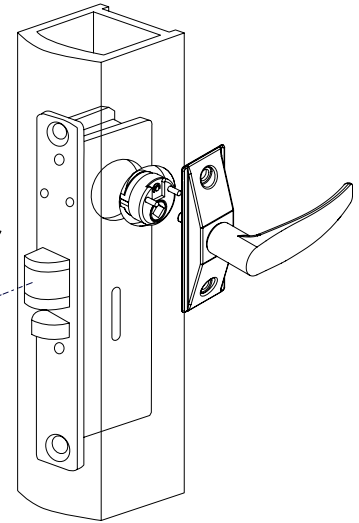
**Stile Preparation**



**Lock & Stile**



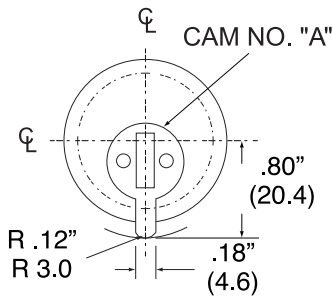
**Stile**



**Bolt Cutout in Strike**

**Lock & Cylinder Installation**

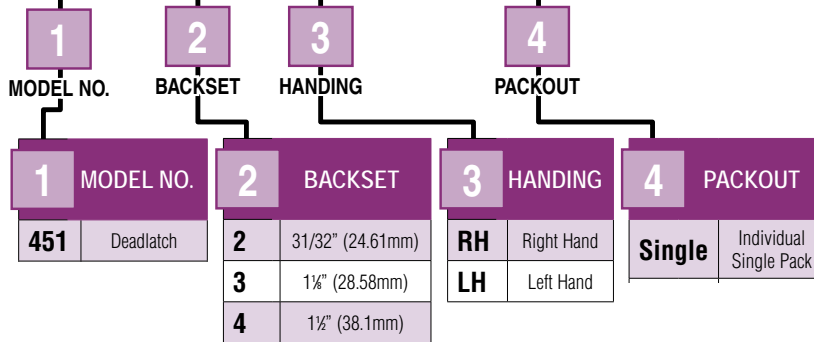
**Cylinder Cam**



CAM ± .005  
TOLERANCE ± 0.13  
These locks are operable by any standard 1 5/32" (29.37 mm) diameter mortise cylinder with cam dimensions as shown.

**How To Order Mortise Deadlatches Only**

**451 - 2 - LH - Single**



## Deadlock Trim — Levers

### Lever Handles — 456 Series

Levers are designed to keep fingers away from the jamb and allow operation without grasping. A downward movement retracts latch.

- For use with 451 and 452 Deadlatch
- Field reversible handing using the cam plug (CP456) included
- Cast aluminum construction
- Available left or right handed
- Available styles Straight (456S), Euro Return (456-RE) or with Thumbturn (456-TT)
- 3 finishes: Clear Aluminum, Dark Bronze, and Black
- Escutcheon assembly includes a ¼" (6.35 mm) heat treated spindle

**Door Thickness:** 1 3/4" (44.45 mm) to 3" (76.2 mm)

**Escutcheon:** 1 3/8" x 4" (34.93 mm x 101.6 mm)



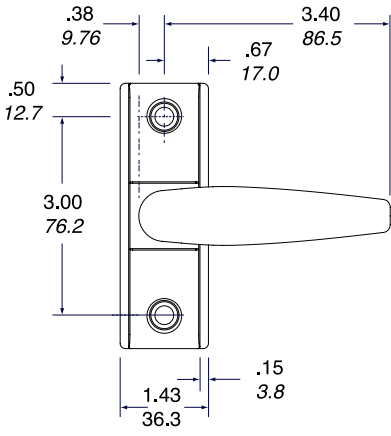
**456RE**



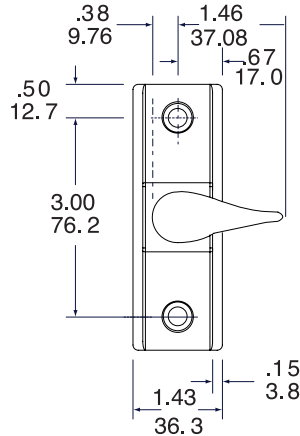
**456S**



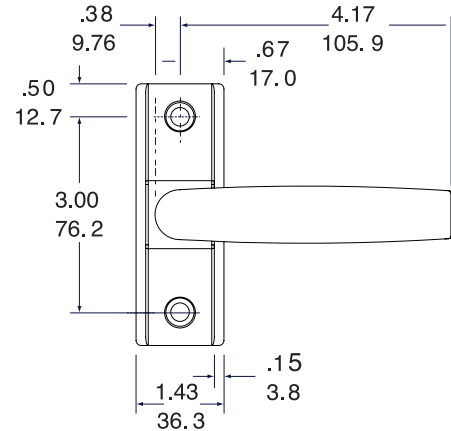
**456TT**



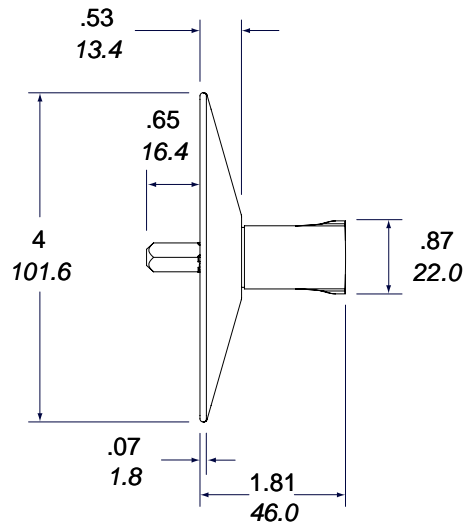
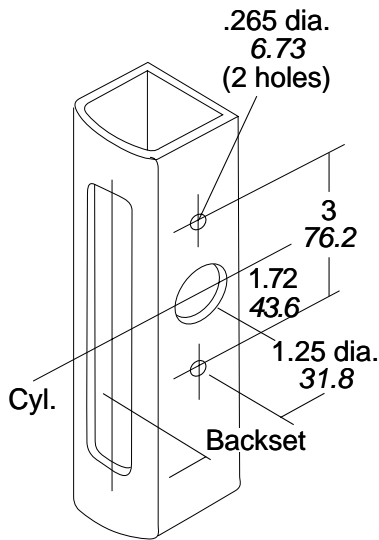
**456-S**



**456-TT**



**456-RE**



**How To Order Lever Handles**

**456 S - LH - 01 - DU**

1	2	3	4	5
MODEL NO.	STYLE	HANDING	DOOR THICKNESS	FINISH
<b>456</b>	<b>S</b>	<b>LH</b>	<b>01</b>	<b>DU</b>
456 Series Lever	Straight	No Hand	1 3/8" (44.45mm) to 2" (50.8mm)	Aluminum (628)
	RE	RH		DU
	Euro Return	Right Hand / Left Reverse		Duronotic Dark Bronze (313)
	TT	LH		BLK
	Thumbturn	Left Hand / Right Reverse		Black (335)



# Deadlock Trim – Push/Pull Paddles

## Push / Pull Paddle – 459 and 457 Series

Paddles provide an alternate to knob or lever handles. Push or pull in the direction of the door swing to unlatch.

**The 459 Series provides the standard paddle function.**

**457 Series is ergonomic and ADA friendly;** providing additional clearance between the handle and door escutcheon. The dogging screw is located on the top of the paddle. The dogging feature is activated by turning the hex key (included) in the escutcheon; holding the paddle down and leaving the door free-swinging.

- Corrosion resistant extruded aluminum construction
- Escutcheon is zinc alloy with black hard coat finish
- Double spring escutcheon construction for durability
- Self-adhesive Push or Pull decals included
- Binder post insures secure attachment of the Push/Pull handle to the door
- Available in four operation modes (Pull Left, Pull Right, Push Left, Push Right)
- Field reversible handing using Push/Pull feature and cam plug (CP456) included
- Cycle testing exceeds ANSI Grade 1 standards

**Door Thickness:** 1 3/4" (44.45 mm)  
**Escutcheon:** 1 3/8" x 4" (34 mm x 101.6 mm)



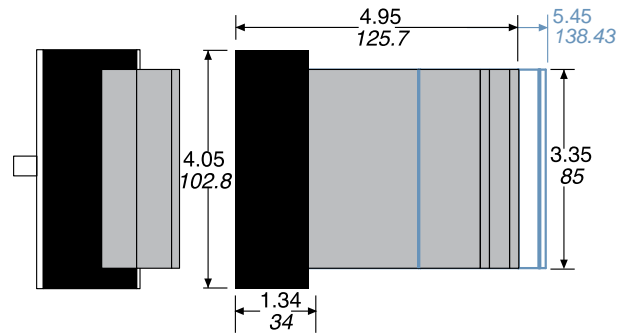
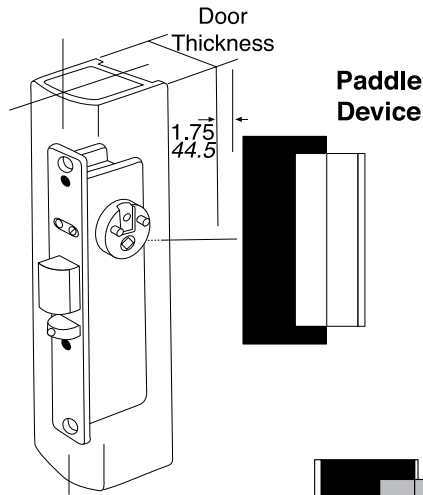
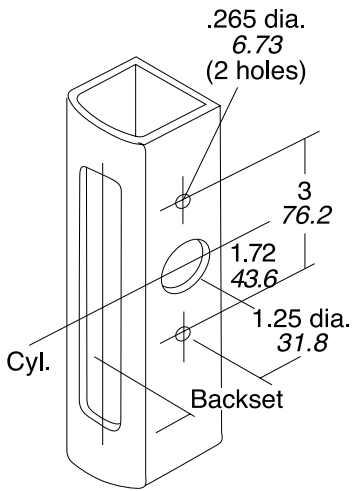
457

457 Dogging Key



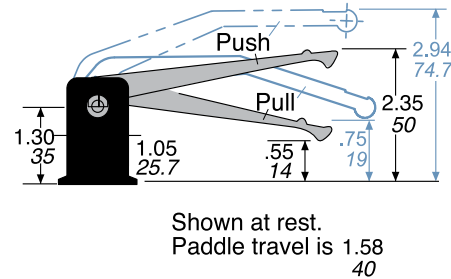
459  
No dogging

**Stile Preparation**



**459 / 457**

**Paddle Device**



**How To Order Push / Pull Paddles**

**459 - 01 - 00 - 628**

1	2	3	4
MODEL NO.	OPERATION	DOOR THICKNESS	FINISH
<b>1</b>	<b>2</b>	<b>3</b>	<b>4</b>
<b>1</b> MODEL NO.	<b>2</b> OPERATION	<b>3</b> DOOR THICKNESS	<b>4</b> FINISH
<b>459</b> Original Paddle	<b>01*</b> Pull to Left	<b>00</b> 1 3/4" (44.45mm)	<b>628</b> Aluminum (AL)
<b>457</b> Trend Paddle	<b>02</b> Push to Left		<b>313</b> Durototic Dark Bronze (DU)
	<b>03*</b> Pull to Right		<b>335</b> Black (BLK)
	<b>04</b> Push to Right		

\*Not available in 457 model

**Replacement Parts for Levers & Push / Pull Paddles**

Product	Description	Paddle Door Thickness	Lever Door Thickness
CP456-RH	Right Hand Cam Plug	1 3/4" (44.45 mm)	2" (50.8 mm)
CP456-LH	Left Hand Cam Plug	1 3/4" (44.45 mm)	2" (50.8 mm)
CP456-RH-1	Right Hand Cam Plug	1 13/16" - 2" (46mm - 50.8mm)	2 1/4"- 2 1/2" (57.15mm-63.5mm)
CP456-LH-1	Left Hand Cam Plug	1 13/16" - 2" (46mm - 50.8mm)	2 1/4"- 2 1/2" (57.15 mm -63.5mm)
CP456-RH-2	Right Hand Cam Plug	2 1/4" - 2 1/2" (57.15mm - 63.5mm)	2 3/4"- 3" (69.85mm-76.2mm)
CP456-LH-2	Left Hand Cam Plug	2 1/4" - 2 1/2" (57.15mm - 63.5mm)	2 3/4"- 3" (69.85mm- 76.2mm)
9160	Paddle Spring Kit		

# Glass Door Rail Lock & Dust Proof Strikes

## Glass Door Bottom Rail Lock - BR Series

This lock is installed in the bottom rail or in patch fitting of an "all glass" door. Bolt is retracted by a 1 5/32" (29.35 mm) mortise cylinder with standard cam.

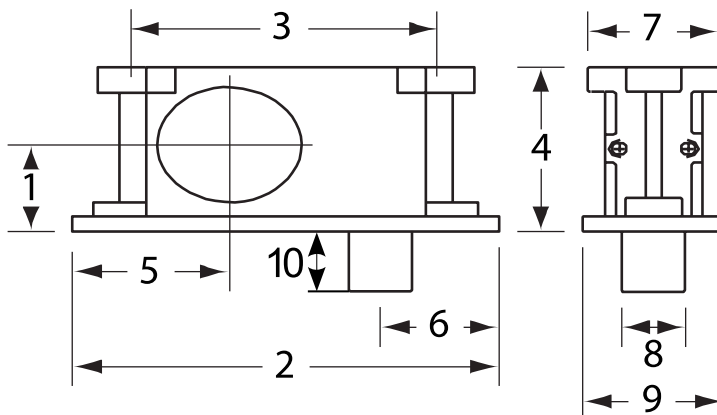
MODEL NUMBER	1	2	3	4	5	6	7	8	9	10
BRL-03	.84252" (21.4mm)	4.154" (105.5mm)	3.543" (90mm)	1.44" (39.6mm)	1.437" (36.6mm)	1.5" (38mm)	1.345" (34.4mm)	.618" (15.7mm)	1.3031" (33.1mm)	.71" (18.03mm)
BRL-01	.96457" (24.4mm)	4.154" (105.5mm)	3.543" (90mm)	1.8898" (48mm)	1.437" (36.6mm)	1.5" (38mm)	1.345" (34.4mm)	.618" (15.7mm)	1.3031" (33.1mm)	.71" (18.03mm)



**BRL-01**



**BRL-03**

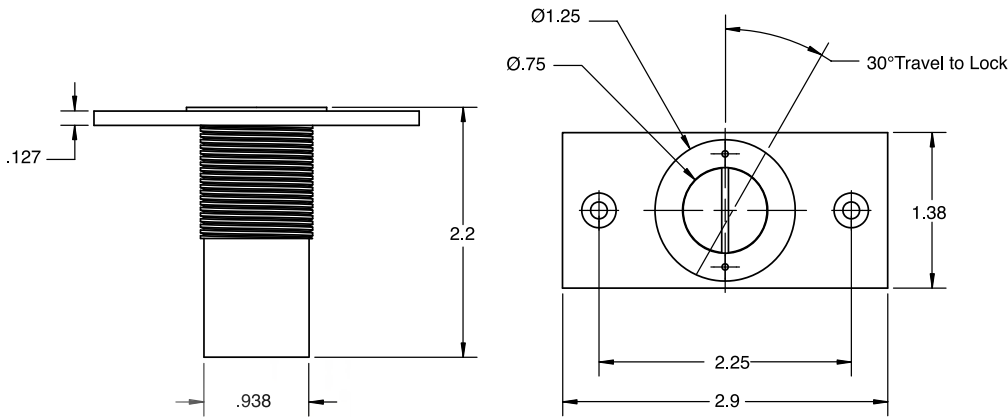


**Dust Proof Strikes (Lockable) – DPS Series**

DPS Series strikes work with the BRL-01 and BRL-03 Glass Door Bottom Rail Lock.

- Accepts 5/8" (16 mm) diameter plunger bolt
- Includes mounting plate, two flat head screws, and strike
- Available in six finishes

<b>DPS-DU</b>	313 Dark Bronze
DPS-US26D	26D Satin Chrome
<b>DPS-BLK</b>	335 Black
DPS-US14	Bright Stainless Steel
<b>DPS-US15</b>	32D Satin Stainless Steel
DPS-AL	628 Aluminum
<b>DPS-US4</b>	Satin Brass



# Pivots

## Offset Pivots – For Aluminum Doors and Frames

- Die cast aluminum construction
- Full race ball bearing incorporated into bottom pivot portion
- Weight of door rests on floor mounted pivot portion; no sag
- Easily replaceable from inside door
- Theft resistant, weatherproof
- 1/8" (3.18 mm) vertical adjustment
- Available in two finishes; special order finishes available upon request
- Sets include fasteners
- Also available in dark bronze



## IL-OP-10 Series – Vista Wall® & Old Castle® Style Doors

Flush Door Pivot and 1/8" (3.18 mm) Recessed Pivot Sets

### Flush Pivot Sets

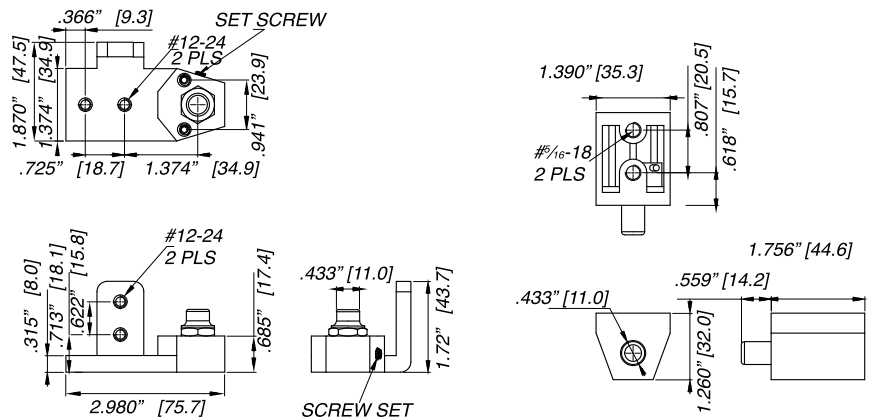
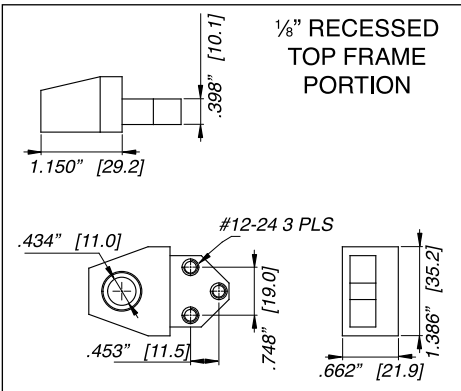
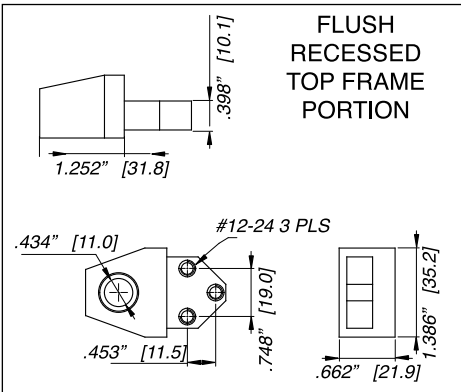
<b>IL-OP-10-LH-AL SETS</b>	LH, Clear
IL-OP-10-LH-DU SETS	LH, Dark Bronze
<b>IL-OP-10-RH-AL SETS</b>	RH, Clear
IL-OP-10-RH-DU SETS	RH, Dark Bronze

### Recessed Pivots Sets

<b>IL-OP-10-LH-AL-18 SETS</b>	LH, Clear
IL-OP-10-LH-DU-18 SETS	LH, Dark Bronze
<b>IL-OP-10-RH-AL-18 SETS</b>	RH, Clear
IL-OP-10-RH-DU-18 SETS	RH, Dark Bronze

### Screw Pack

<b>IL-OP-10 SCREW PACK-AL</b>	Clear
IL-OP-10 SCREW PACK-DU	Dark Bronze



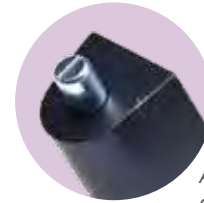


## IL-OP-12 Series – Armalite® and Trulite® Style Doors

Recessed Pivot Sets 1/8" (3.18 mm)

### Recessed Pivots Sets

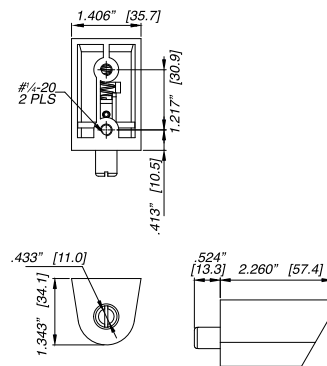
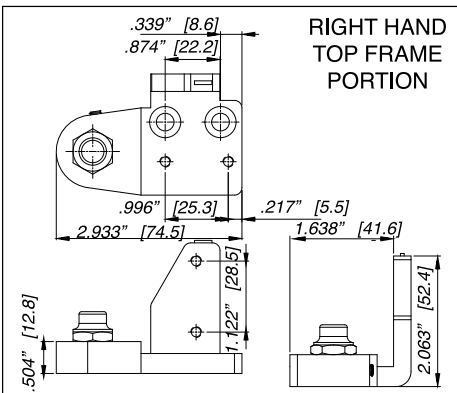
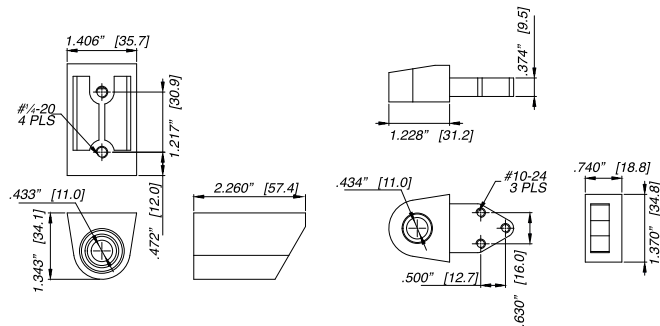
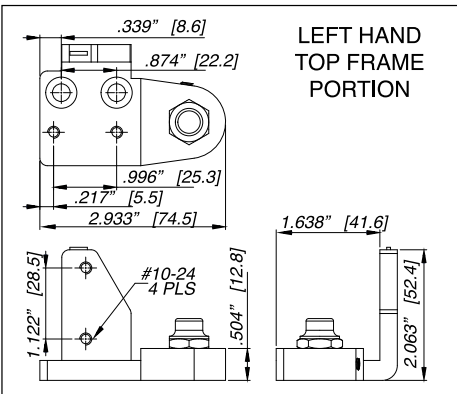
<b>IL-OP-12-RH-AL SETS</b>	RH, Clear
IL-OP-12-LH-AL SETS	LH, Clear
<b>IL-OP-12-RH-DU SETS</b>	RH, Dark Bronze
IL-OP-12-LH-DU SETS	LH, Dark Bronze



Available in dark bronze

### Screw Pack

<b>IL-OP-12 SCREW PACK-AL</b>	Clear
IL-OP-12 SCREW PACK-DU	Dark Bronze



# IL-OP-13 Series – YKK® Style Doors

Recessed Pivot Sets 1/8" (3.18 mm)

## Recessed Pivot Sets

**IL-OP-13-LH-AL SETS** LH, Clear

IL-OP-13-LH-DU SETS LH, Dark Bronze

**IL-OP-13-RH-AL SETS** RH, Clear

IL-OP-13-RH-DU SETS RH, Dark Bronze

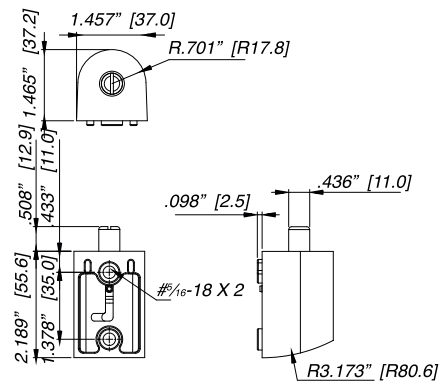
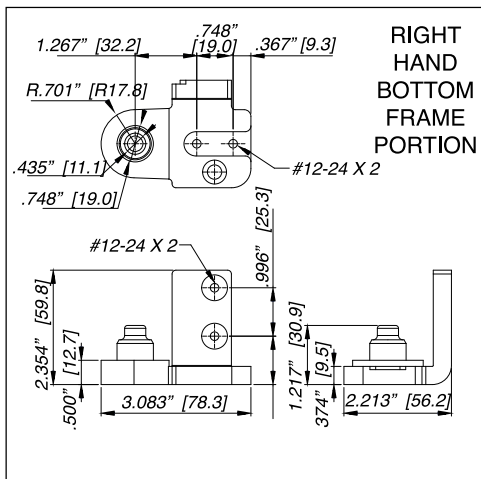
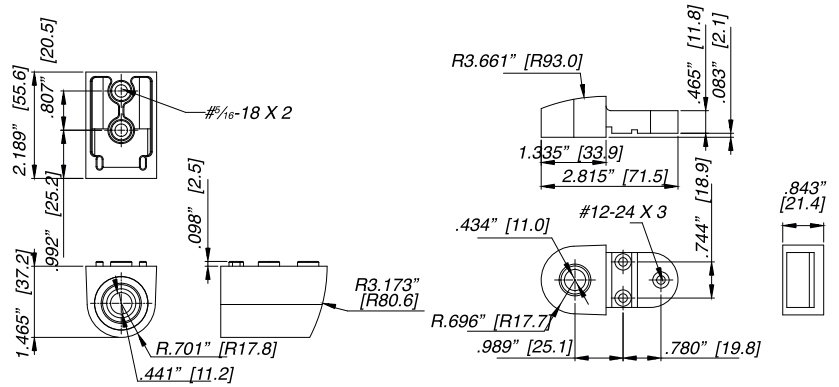
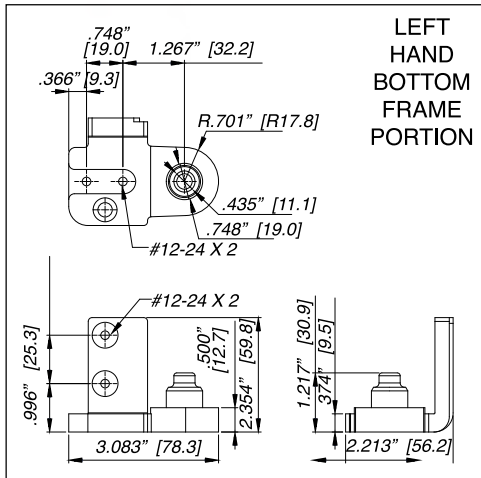
## Screw Pack

**IL-OP-13 SCREW PACK-AL** Clear

IL-OP-13 SCREW PACK-DU Dark Bronze



Available in dark bronze



# IL-OP-14 Series – US Aluminum® and Arcadia® Style Doors

Flush Door Pivot Sets

## Flush Door Pivot Sets

**IL-OP-14-LH-AL SETS** LH, Clear

IL-OP-14-LH-DU SETS LH, Dark Bronze

**IL-OP-14-RH-AL SETS** RH, Clear

IL-OP-14-RH-DU SETS RH, Dark Bronze

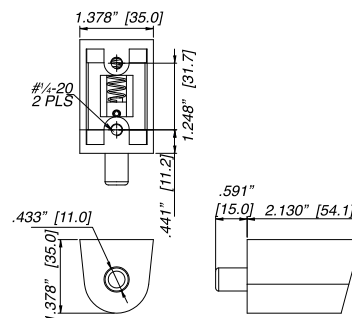
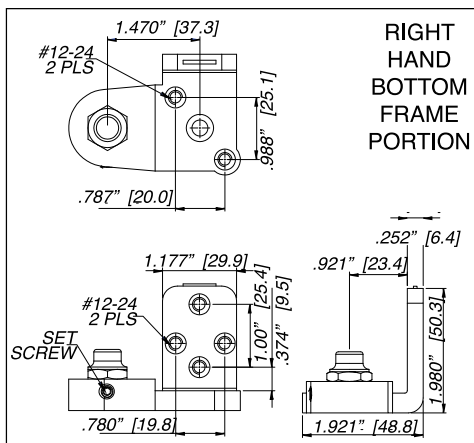
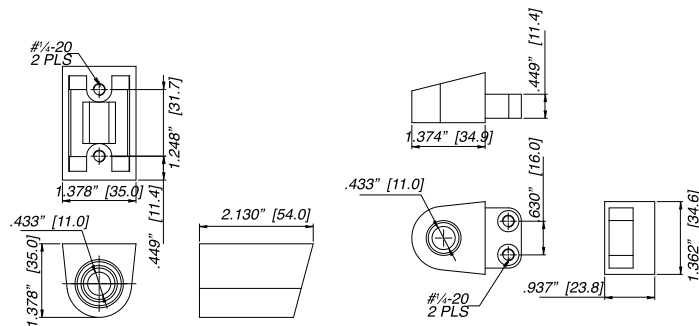
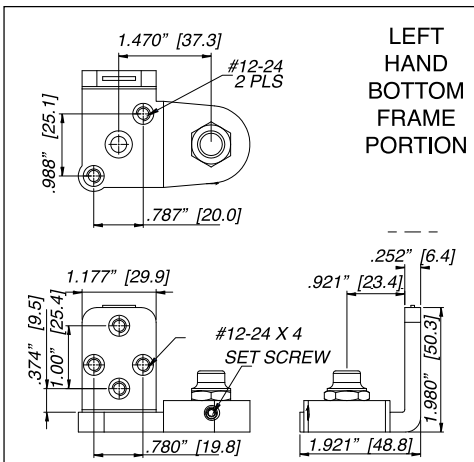
## Screw Pack

**IL-OP-14 SCREW PACK-AL** Clear

IL-OP-14 SCREW PACK-DU Dark Bronze



Available in dark bronze



# IL-OP-15 Series – Pittco® and Efc® Style Doors

31/32" (24.61mm) Recessed Pivot Sets

## Recessed Door Pivot Sets

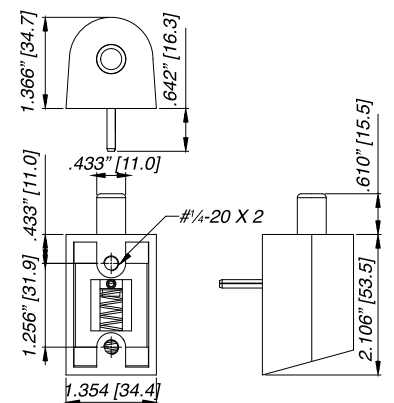
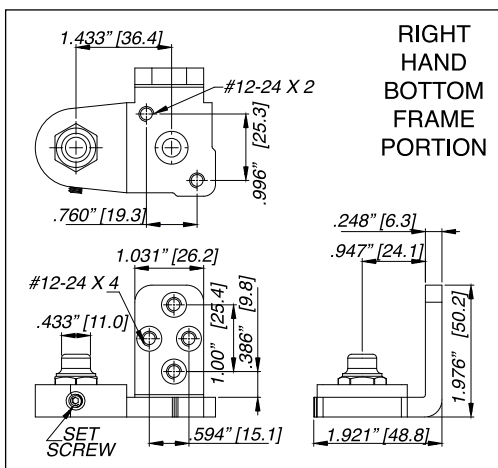
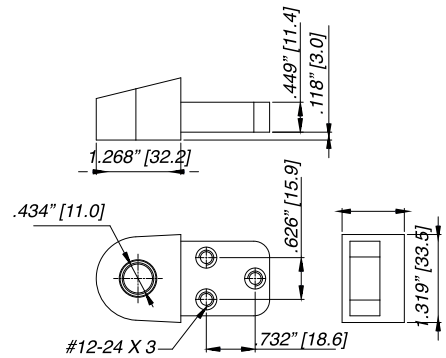
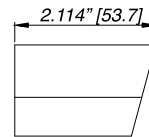
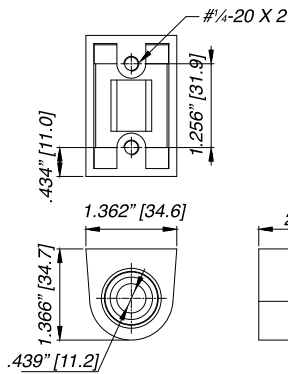
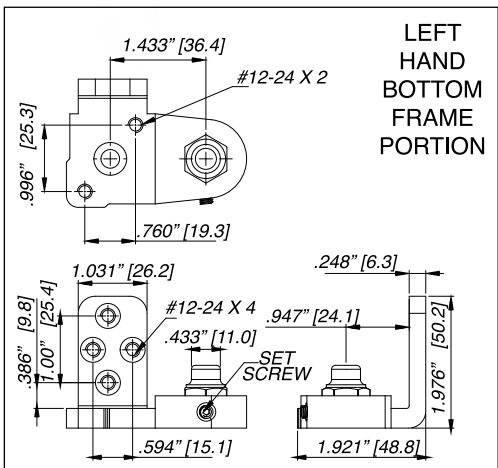
- IL-OP-15-LH-AL SETS** LH, Clear
- IL-OP-15-LH-DU SETS LH, Dark Bronze
- IL-OP-15-RH-AL SETS** RH, Clear
- IL-OP-15-RH-DU SETS RH, Dark Bronze

## Screw Pack

- IL-OP-15 SCREW PACK-AL** Clear
- IL-OP-15 SCREW PACK-DU Dark Bronze



Available in dark bronze



## IL-OP-18 Top & Bottom Portion Set – Kawneer® Style Doors

1/8" (3.18 mm) Recessed Pivots - Top and Bottom sold separately to form a "set"

### Recessed Door Pivot Sets

#### Top Pivot

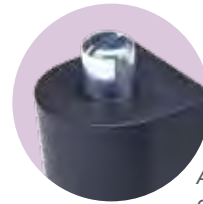
<b>IL-OP-18-AL TOP PIVOT</b>	NH, Clear
IL-OP-18-DU TOP PIVOT	NH, Dark Bronze

#### Bottom Pivot

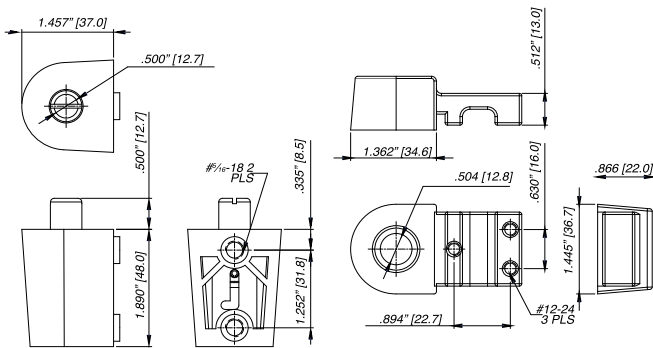
<b>IL-OP-18-LH-AL BOTTOM</b>	LH, Clear
IL-OP-18-LH-DU BOTTOM	LH, Dark Bronze
<b>IL-OP-18-RH-AL BOTTOM</b>	<b>RH, Clear</b>
IL-OP-18-RH-DU BOTTOM	RH, Dark Bronze

#### Screw Pack

<b>IL-OP-18 SCREW PACK-AL</b>	Clear
IL-OP-18 SCREW PACK-DU	Dark Bronze



Available in dark bronze



# IL-OP-19 Series – Aldora® Style Doors

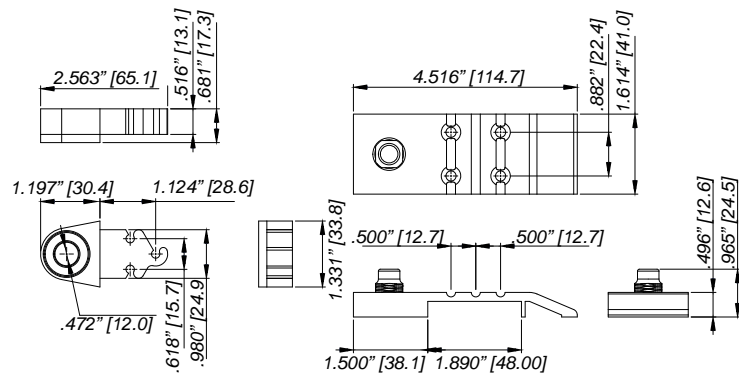
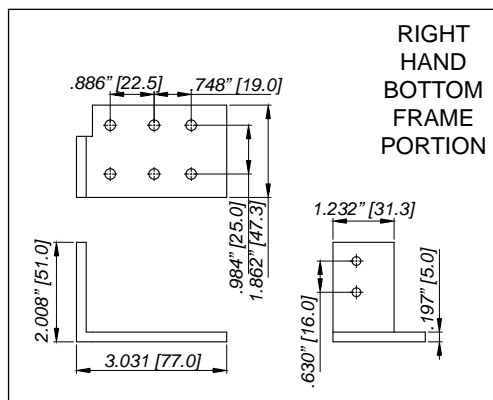
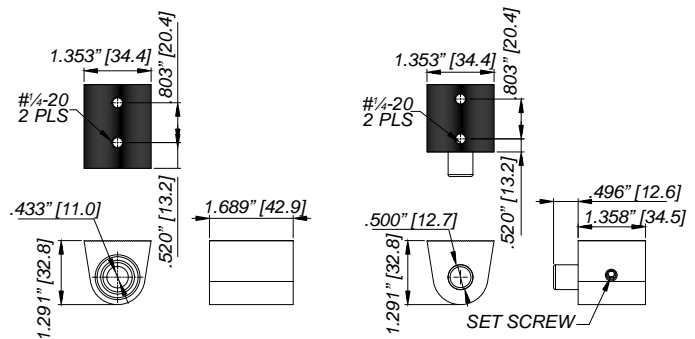
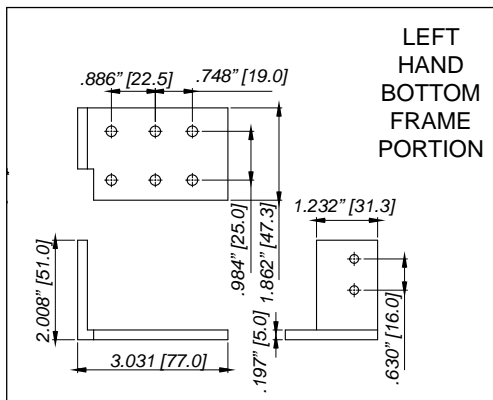
1/8" (3.18 mm) Recessed Pivot Sets

## Recessed Door Pivot Sets

<b>IL-OP-19-LH-AL</b>	LH, Clear
IL-OP-19-LH-DU	LH, Dark Bronze
<b>IL-OP-19-RH-AL</b>	RH, Clear
IL-OP-19-RH-DU	Rh, Dark Bronze



Available in dark bronze



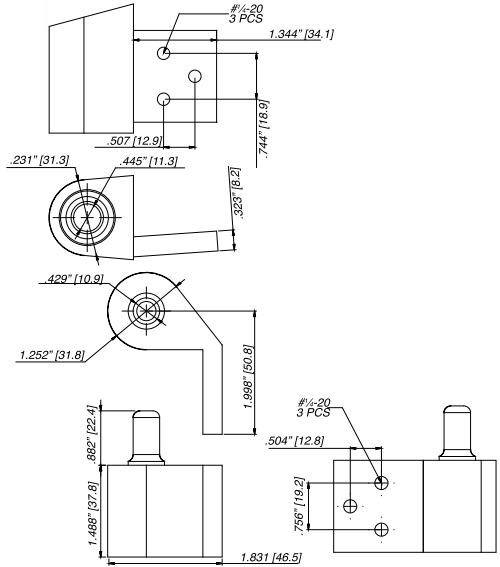




**IP-22 Series**

3/4" (19.05 mm) Offset

<b>IP-22-LH-AL</b>	LH, Clear
IP-22-LH-DU	LH, Dark Bronze
<b>IP-22-RH-AL</b>	RH, Clear
IP-22-RH-DU	RH, Dark Bronze



# Butt Hinges

## Butt Hinge - 45 Series

Dimensions: 4.5" x 4" x .134" (114.3 mm x 101.6 mm x 3.4 mm)

- Non-corrosive stainless steel
- Non-removable pin (prevents removal when door is in closed position)
- Zero swagged with 1/4" radius corner
- Available finishes: Clear, Dark Bronze
- Single packs include machine and wood screws (1/box), Bulk packs include machine screws only



**IL-4540NRP2BB-AL** Single pack, Clear (32D)

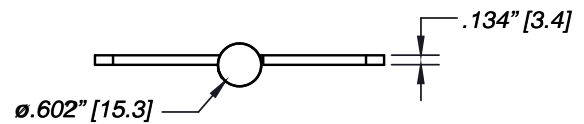
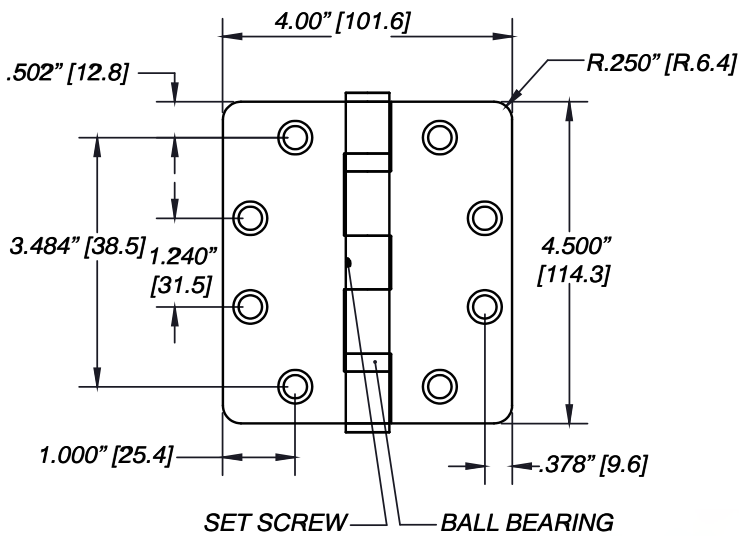
IL-4540BBNRP-AL BULK Bulk pack, Clear (32D)

**IL-4540NRP2BB-DU** Single pack, Dark Bronze

IL-4540BBNRP-DU BULK Bulk pack, Dark Bronze

### Back Up Plate

**IL4-BP-H** Back up plate



# Lock and Door Accessories – Faceplates

## Faceplates

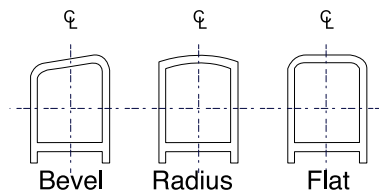
For 185 Series Deadbolts, 451 and 452 Deadlatches

- Finishes:** Aluminum Anodized  
Dark Bronze Anodized  
Black Anodized

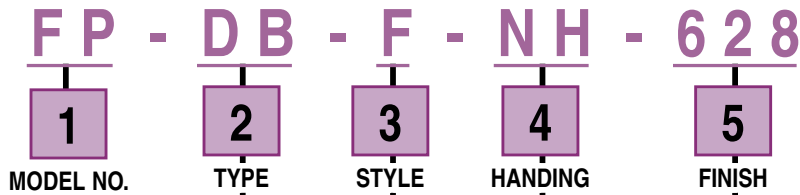
**Dimensions:** 1" x 6 7/8" (25.4 mm x 174.63 mm)



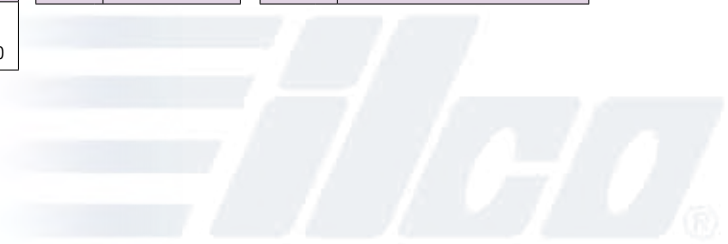
### Faceplate Styles



## How To Order Faceplates



2 TYPE		3 STYLE		4 HANDING		5 FINISH	
<b>DB</b>	Deadbolt	<b>F</b>	Flat	<b>NH</b>	No Hand	<b>628</b>	Aluminum (AL)
<b>HB</b>	Hookbolt	<b>B</b>	Bevel	<b>RH</b>	Right Hand	<b>313</b>	Duronotic Dark Bronze (DU)
<b>DL</b>	Deadlatch	<b>R</b>	Radius	<b>LH</b>	Left Hand	<b>335</b>	Black (BLK)
<b>RDL</b>	Reversible Deadlatch	<b>RW</b>	Radius with Weather Strip				

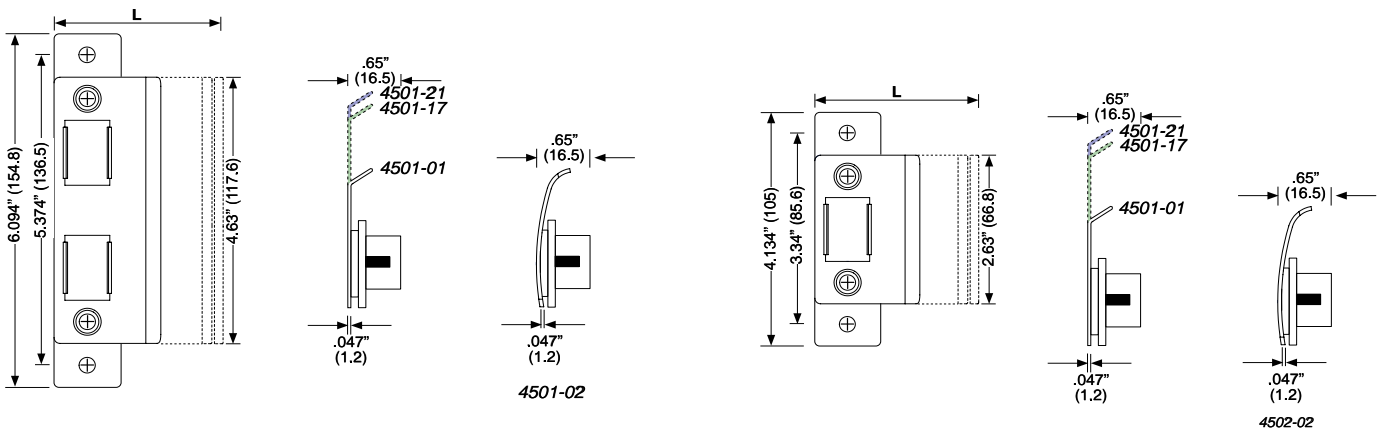


# Deadlatch Strikes



## Deadlatch Strikes

<b>4501-01</b>	1.87" (45.7 mm) Long Lip Standard, Clear
4501-01-DU	1.87" (45.7 mm) Long Lip Standard, Dark Bronze
<b>4501-02</b>	1.87" (45.7 mm) Long Lip Radius, Clear
4501-02-DU	1.87" (45.7 mm) Long Lip Radius, Dark Bronze
<b>4502-01</b>	1.87" (45.7 mm) Short Lip Standard, Clear
4502-01-DU	1.87" (45.7 mm) Short Lip Standard, Dark Bronze
<b>4502-02</b>	1.87" (45.7 mm) Short Lip Radius, Clear
4502-02-DU	1.87" (45.7 mm) Short Lip Radius, Dark Bronze
<b>4501-17</b>	2.90" (73.6 mm) Long strike extended lip for center hung doors 4" (101.60 mm) frame, Clear
4501-21	3.13" (79.5 mm) Long strike extended lip for center hung doors 4.5" (114.30 mm) frame, Clear
<b>4502-17</b>	2.90" (73.6 mm) Short strike extended lip for center hung doors 4" (101.60 mm) frame, Clear
4502-21	3.13" (79.5 mm) Short strike extended lip for center hung doors 4.5" (114.30 mm) frame, Clear



# Threshold, Header and Flush Bolts

## Threshold Bolt – THB-4015 Series for Deadbolt and Hookbolt

THB-415 is a two-point lock that enhances the security of double door installations. When the deadbolt is actuated, the bolt extends in to the threshold. Three point locking is achieved when a Threshold bolt is used in conjunction with a header bolt.

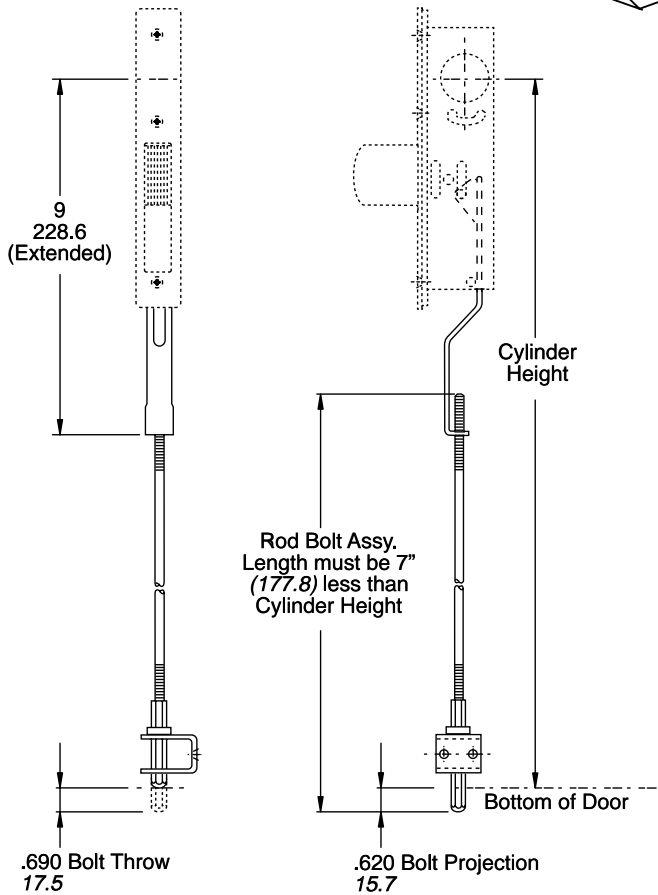
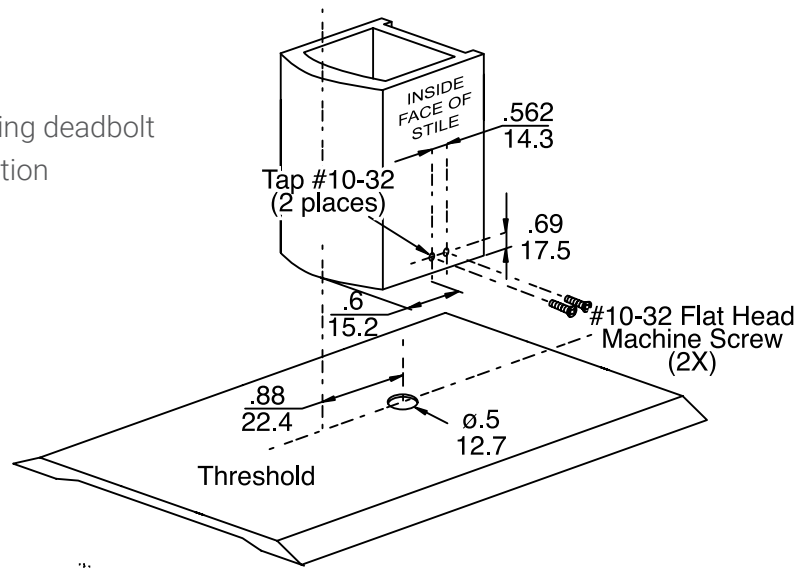


**THB-4015**

**Throw:** 11/16" (17.45 mm)  
**Cylinder Height:** 34" (863.6 mm)

- Attaches to the rear of the pivoting deadbolt
- Easily add to an existing installation
- Rod is zinc plated steel

### Stile Preparation





### Header Bolt – HDB-4016 Series for Deadbolt

HDB-4016 provides two-point locking for double door installations. The actuation of the lock throws the bolt into the header of the active leaf.



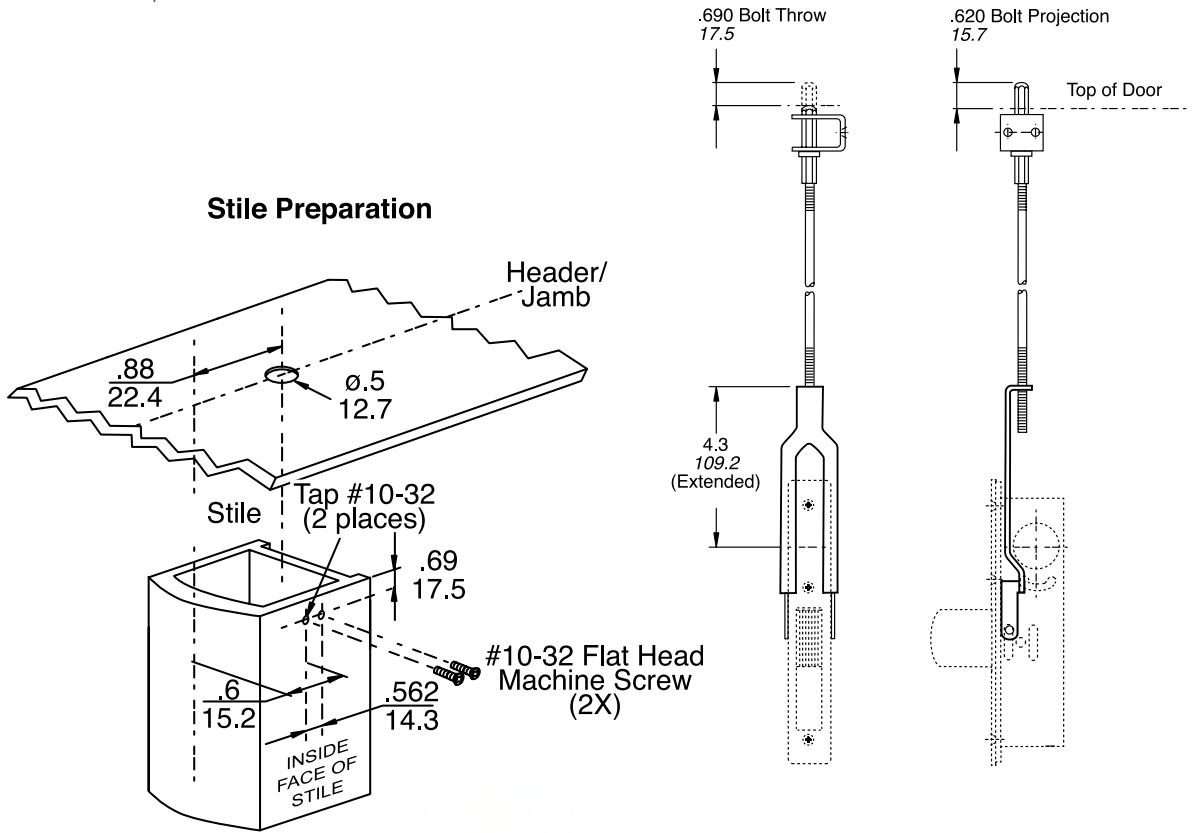
**Doors:** up to 7' (2133.6 mm)

**Cylinder Height:** no less than 35" (889 mm)

**Backsets:** 31/32" (24.59 mm), 1 1/8" (25.58 mm), 1 1/2" (38.1 mm)

- Attaches to the front slot of the deadbolt
- Cylinder height adjustment below 53" (1346.2 mm) can be accomplished by cutting threaded rod
- Rod is zinc plated steel

THB-4016



# Threshold, Header and Flush Bolts

## Header Bolt – HDB-4085 Series for Deadbolt

HDB-4085 provides a top of door, third locking point on the inactive leaf. With the actuation of the lock, the bolt extends into the header strike with a “scissor like” action.

- Installed in the inactive leaf
- Nylon strike included (required for operation)
- Rod is zinc plated steel

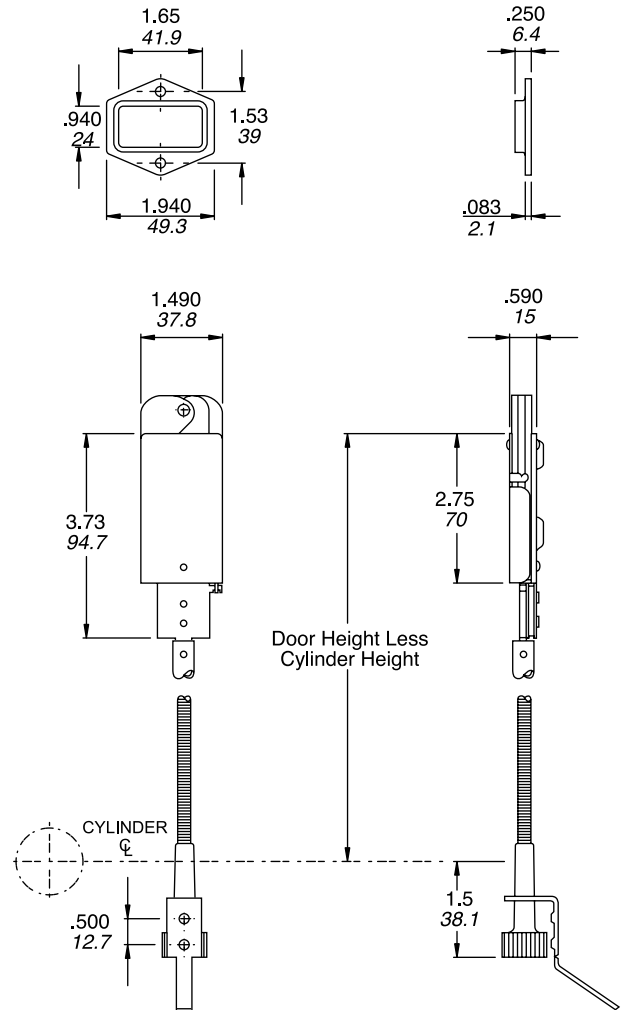
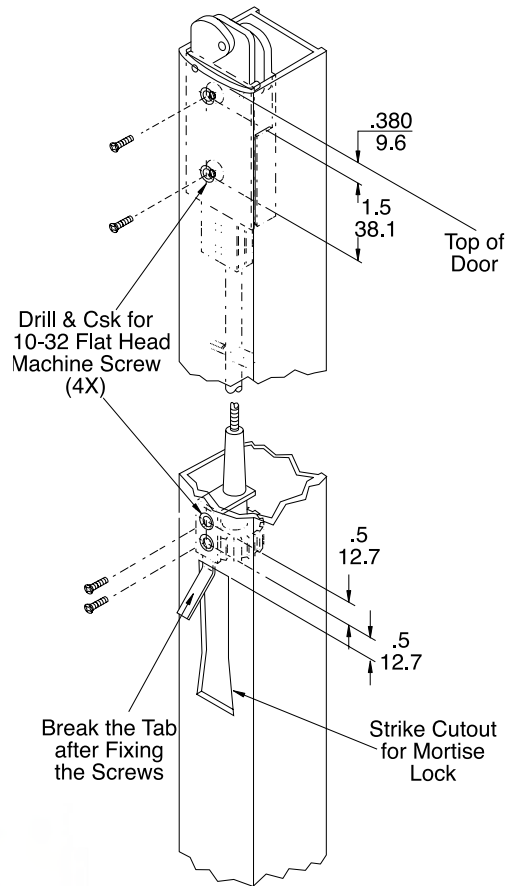
### Centerline of Cylinder to top of door

<b>HDB-4085</b>	30" to 50" (752 mm to 1270 mm)
HDB-4085-1	55" to 78" (1397 mm to 1981.2 mm)
<b>HDB-4085-2</b>	79" to 92" (2006.6 mm to 2336.8 mm)



THB-4015

### Stile Preparation



## Flush Bolt – FLB Series

The FLB Series provides an easy retrofit and economical solution for simply securing the inactive leaf of a double door.

**Throw:** 5/8" (15.87 mm) or 7/8" (22.23 mm)

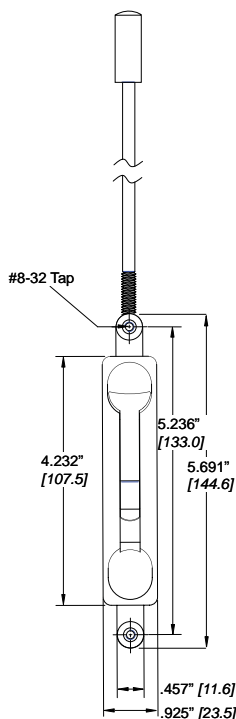
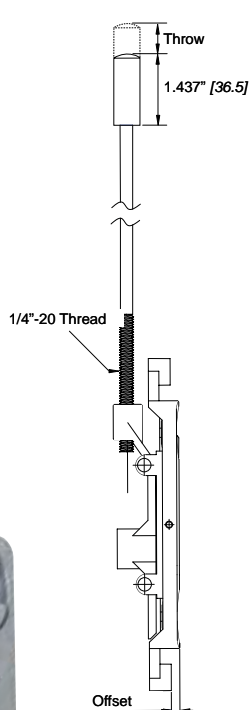
**Offset:** 1/8" (3.18 mm) - 11" (279.40mm) rod

**Also available:**

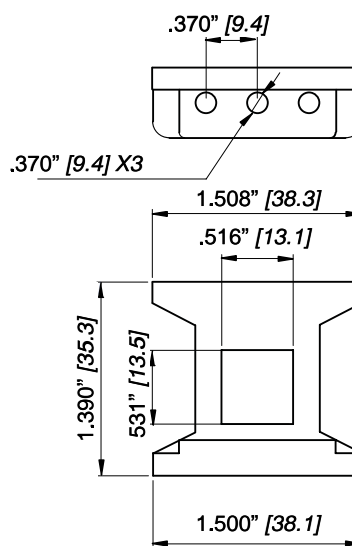
**Throw:** 5/8"

**Offset:** 1/8" (3.18mm) – 16" (406.4mm) rod

- Adjust length by turning the nylon tip
- Zinc plated steel rod with nylon tip is standard; Metal tip available special order in 1/8" (3.18 mm) offset, 5/8" (15.87 mm) throw
- Available in Aluminum or Dark Bronze
- Additional Guide Pack sold separately (FBL-Guide Pack)



### Threshold / Header Preparation



FLB-58-18-  
DU-M

FLB-58-18-  
AL

### How To Order Flush Bolts

**FLB - 58 - 18 - AL - 16**

1	2	3	4	5
MODEL NO.	THROW	OFFSET	FINISH	SPECIAL
	2	3	4	5
	THROW	OFFSET	FINISH	SPECIAL
	58	18	AL	16
	78		DU	M

58 5/8" (16mm)  
 78 7/8" (22mm)  
 18 1/8" (28.58mm)  
 AL Aluminum  
 DU Dark Bronze  
 M Metal Tip  
 — Leave Blank if neither apply

# Threshold, Header and Flush Bolts

## Two-Point Flush Bolt – IL-1880 Series

IL-1880 Series is an alternative to the FLB Series Flush Bolt to secure the inactive leaf of a double door. It simplifies the process with one operation instead of two.

Operates as auxiliary lock and is not to be utilized as a stand-alone locking mechanism.

**Throw:** 23/32" (18.3mm)

- Steel hexagonal bolt, plated
- Interlocking mechanism prevents the engagement of main lock's pivoted bolt until the vertical bolts are locked and prevents unlocking of vertical bolts when the pivoted bolt is locked
- Operates in conjunction with pivoting deadbolts (185 and HB185)

	Cylinder Height up to:	Door Dims	Finish
<b>IL1880-1-84-AL</b>	37" (939.8 mm)	84" (2133.6 mm)	Clear
IL1880-1-84-DU	37" (939.8 mm)	84" (2133.6 mm)	Dark Bronze
<b>IL1880-1-84-BLK</b>	37" (939.8 mm)	84" (2133.6mm)	Black
IL1880-1-96-AL	37" (939.8 mm)	96" (2438.4 mm)	Clear
<b>IL1880-1-96-DU</b>	37" (939.8 mm)	96" (2438.4 mm)	Dark Bronze
IL1880-1-96-BLK	37" (939.8 mm)	96" (2438.4 mm)	Black
<b>IL1880-2-96-AL</b>	42" (1066.8 mm)	96" (2438.4 mm)	Clear
IL1880-2-96-DU	42" (1066.8 mm)	96" (2438.4 mm)	Dark Bronze
<b>IL1880-2-96-BLK</b>	42" (1066.8 mm)	96" (2438.4 mm)	Black

### Lock Only, No Rods:

<b>IL1880-AL</b>	Clear
IL1880-DU	Dark Bronze
<b>IL1880-BLK</b>	Black

**THB-1880-AL**



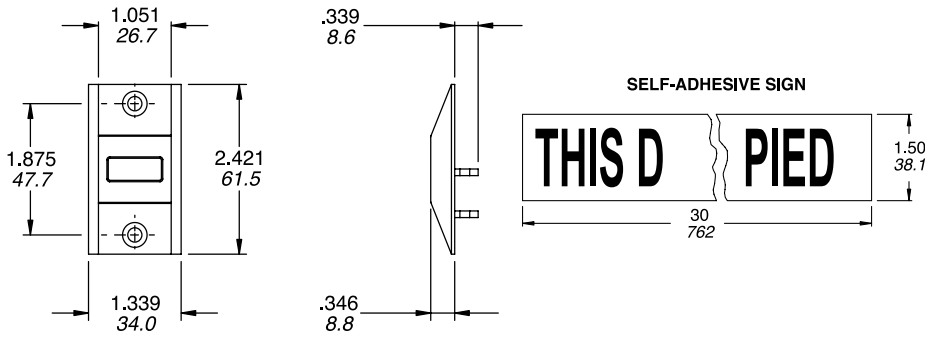
# Door Accessories

## Lock Indicator Sets -LI-408

This exit door indicator provides notification of "locked" or "open" to an exit door. "Open" appears in Green letters and "Locked" appears in Red letters.

- Deadbolt (straight or hook bolt) accessory
- Includes 2 self-adhesive header signs (below), 2 pins and 2 screws
- Fits standard 1 3/4" (44.4 mm) doors
- Zinc alloy escutcheon

- LI-408-AL** Aluminum Powder Coat Finish
- LI-408-DU** Dark Bronze Powder Coat Finish



# Replacement Hardware

## Specifications

Backset: 2-3/8" (60mm)

Crossbore: 1 1/4" (30mm)

Door thickness range: 1-1/4" - 2-1/4" (30mm-55mm)

Keyway: KW1

## Night Latch

Economical night latch operates by key outside, turn knob inside. Bolt can be held back by slide button. No hold back model available. Painted brass finish blends into any decor.

**220-53-41** Box Pack

**220-53-41 less cylinder** Box Pack

**220NHB -53-41** Box Pack No Hold Back

**220-53-51** Clam Shell Pack



## Surface Deadlock

Surface deadlock replaces most night latches with no additional drilling or mortising required. Operates by key outside, turn knob inside. Bolt extends 3/4" (20mm).

Painted brass finish

**545-54-41** Box Pack

**545-54-51** Clam Shell Pack





## Jimmyproof Locks

Rugged jimmyproof locks use verticle gate locking action to lock two bolts into a strike plate.

## Specifications

Backset: 2-1/2" (64mm)

Crossbore: 1 1/4" (30mm)

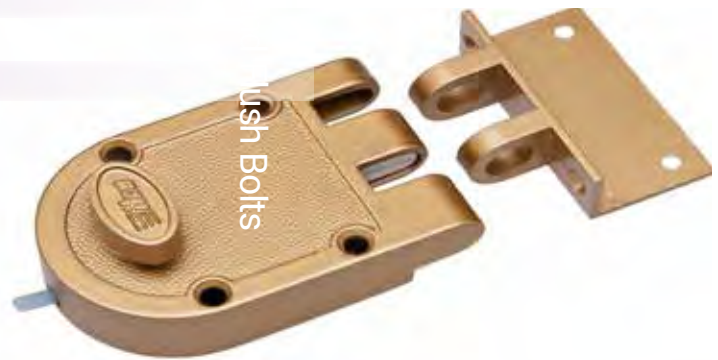
Door thickness range: 1-1/4" - 2-1/4" (30mm-55mm)

Keyway: KW1

## Single Cylinder Jimmyproof Locks

Jimmyproof lock with painted brass finish, operates by key outside, turn knob inside.

- 530-53-41** Box Pack - angle strike
- 530-53-41 less cylinder** Box Pack - angle strike
- 530-53-51** Clam shell pack - angle strike
- 539-53-41 less cylinder** Box Pack - flat strike



## Double Cylinder Jimmyproof Locks

Jimmyproof lock with painted brass finish, operates by key both sides. Available in KW1 or SC1 keyway.

- 535-53-41** Box Pack - angle strike
- 535SC-53-41** Box pack - angle strike (SC1 keyway)
- 535-53-51** Clam shell pack - angle strike



# Replacement Hardware

## Garage Door Lock

For use on garage with standard mounting holes. Unlocks by key outside, turnknob inside. Bolt may be held back by turnknob.

Specifications

Backset: 2" (51mm)

Less Cylinder Only

**1800-28-41 less cylinder** Box Pack



## Rim Lockset

**590-04-51** Rim Lockset - Vertical Mount Function



**591-04-51** Rim Lockset - Horizontal Mount Function



## 5 Pin Zinc Rim Cylinder

Features 5 pin tumbler mechanism. Zinc rim cylinder includes tail piece which adapts for horizontal or vertical applications. Packed with break off screws no 864, backplate no. 750B, cylinder ring no. 861 and two keys.



<b>605KW-04-51</b>	Kwikset keyway, 04 finish. keyed different, clam shell packed
<b>605KW-04-41</b>	Kwikset keyway, 04 finish. keyed different, box packed
<b>605KW-04-41 KA2</b>	Kwikset keyway, 04 finish. keyed alike x 2, box packed
<b>605KW-04-41 KA10</b>	Kwikset keyway, 04 finish. keyed alike x 10 box packed
<b>605KW-04-41 KA12412</b>	Kwikset keyway, 04 finish. all keyed alike box packed
<b>605KW-28-41</b>	Kwikset keyway, 28 finish. keyed different, box packed
<b>605SC-04-51</b>	Schlage keyway, 04 finish. keyed different, clam shell packed
<b>605SC-04-41</b>	Schlage keyway, 04 finish. keyed different, box packed
<b>605SC-04-41 KA2</b>	Schlage keyway, 04 finish. keyed alike x 2, box packed
<b>605SC-04-41 KA12412</b>	Schlage keyway, 04 finish. all keyed alike box packed
<b>605SC-04-41 KA13514</b>	Schlage keyway, 04 finish. all keyed alike box packed
<b>605SC-28-41</b>	Schlage keyway, 28 finish. keyed different, box packed
<b>605SC-28-41 KA12415</b>	Schlage keyway, 28 finish. all keyed alike box packed

# Replacement Hardware

## Replacement Door Knobs

Fashioned from solid brass

**197-03-51** Complete with no. 751 #20 thread spindle and one 776 set screws per knob.

**A403P** Box Back with knobs and set screws only



Fashioned from wrought steel brass plated

**198-04-51** Complete with no. 751 #20 thread spindle and one 776 set screws per knob.

**A410** Box Pack with knobs and set screws only



Fashioned from crystal acrylic

**199A-03-51** Complete with no. 751 #20 thread spindle and one 776 set screws per knob

**AG30A** Box Back with knobs and set screws only



## Replacement Roses

Fashioned from solid brass and complete with 4 mounting screws. Outside dia. 2 1/4" (57mm), inside hole dia. 1/2" (13mm).

**211-03-51** These roses fit 198, 199, and A410 knobs.

**212-03-51** These roses fit 197 and A403P knobs.



## Trim Plate - Satin Brass

Fashioned from solid brass and complete with 8 mounting screws. Dimensions 7" x 2 1/4" (178mm x 57mm). Key-way to spindle hub 2 1/4" (57mm) "centers".

**213-04-51** Skin packed, brass lacquer finish



## Mortise Locksets

### Bit Key Lock

Lock body, complete with strike and screws. (Same lock as furnished with 215-04). Packed with 2 keys

**214-04-51** Clam shell packed, black enamel with brass trim



### Bit Key Mortise Lockset

A universal replacement lock. Includes two knobs, no. 751 #20 thread spindle, lock body, two trim plates, strike, screws and two keys.

**215-04-51** Clam shell packed, brass lacquer finish



### Replacement Latch for Tubular Locks

Replacement passage latch for tubular locks. Complete with screws.

**216-03-51** Clam shell packed, Bright Brass finish



### "Crystal" Acrylic Design Tubular Latchset

Excellent replacement latchset. Comes complete with knob, spindle, latch, roses, screws, and strike.

**218A-03-51** Clam shell packed, 2-3/8" backset





# Replacement Hardware

## Mail Box Locks

**113-14-51** Mail Box Lock with Spring Clip

**114-14-51** Mail Box Lock with Threaded Barrel



## Showcase Lock

For display cases and showcase windows with sliding doors. Fits 1/4" (6mm) thick glass doors. Furnished with two keys. Available keyed different or keyed alike.

**247-14-11** Box packed



## Lock Pick Gun

With a snap of the finger, the tempered steel needle (pick) strikes the bottom pins sharply. This force is transferred to the upper pins and they rise in the chambers, momentarily creating a large shear line. Pressure from the tension wrench then turns the plug to the open position. Includes (2) complete set of extra springs, (3) straight picks, (3) angle picks, (2) tension wrenches.

**827-00-8X** Showcase Lock





## Frangible Shackle Padlock

One key fits all.

**1402-04** Frangible Shackle Padlock



## .003 Color Pin Kit

Includes 40 top pins and 79 bottom pins

**797-00-8X** .003 Color Pin Kit



## Split Key Rings

Available in 8 popular sizes

**261-00-8X** 5/8" (16mm)

**262-00-8X** 3/4" (20mm)

**263-00-8X** 7/8" (22mm)

**264-00-8X** 1" (25mm)

**265-00-8X** 1-3/16" (30mm)

**266-00-8X** 1-1/4" (32mm)

**267-00-8X** 1-1/2" (38mm)

**268-00-8X** 2" (51mm)





## WARRANTY Terms and Conditions

This limited warranty applies to cylinders, storefront hardware and exit devices, purchased new from Kaba Ilco Corp. hereinafter referred to as "Kaba Ilco" or reseller by the original end user purchaser on the original site of installation for normal use and not for resale.

Kaba Ilco warrants that a covered product is free from defects in material and workmanship subject to the terms and conditions set out below.

This warranty does not apply to any defects or malfunctions resulting from improper installation or use. Products and parts not manufactured by Kaba Ilco are guaranteed only in accordance with that manufacturer's warranty. Kaba Ilco shall not be liable for any consequential or incidental expenses resulting from breach of this warranty or any implied warranty.

This warranty is expressly given and accepted in lieu of any and all other warranties, expressed or implied, including without limitation any warranty of merchantability or fitness for a particular purpose. To the extent that they cannot be disclaimed, the implied warranties are limited in duration to the life of the express warranty. Incidental and consequential damages are excluded from coverage under this warranty. Some states/jurisdictions do not allow for the disclaimers, limitations and exclusions identified above; as a result, they may not apply to you. This warranty gives you specific rights, and you may also have other legal rights which may vary from state to state or from one jurisdiction to another.

No distributor, dealer, sales representative nor any other person has been authorized to make any affirmation, representation or warranty regarding the product, other than those contained in this limited warranty, and if made, shall not be enforceable against Kaba Ilco. Kaba Ilco reserves the right to modify this warranty at any time, it being understood that such modification will not alter the warranty conditions applicable to the products sold while this warranty is in effect.

We will, at our discretion, repair or replace free of charge, including shipping charges back to end user, any product found to be defective and subject to this warranty, provided it is delivered pre-paid to Kaba Ilco.

The end user is responsible for the cost of removal and reinstallation. To assure your return is properly handled, contact Kaba Ilco customer service prior to sending any product. This warranty does not apply to any defects or malfunctions resulting from improper installation, improper use or normal wear and tear.

### Cylinder Limited Warranty

Kaba Ilco offers to the original purchaser a limited one (1) year warranty on brass cylinders against defects in materials and workmanship.

Kaba Ilco offers to the original purchaser a limited six (6) months warranty on zinc die cast cylinders against defects in materials and workmanship.

### Storefront Hardware Limited Warranty

Kaba Ilco offers a limited five (5) year warranty on all storefront hardware bearing the following item numbers 185 series deadbolts, 451 series deadlatches, FP series faceplates, 4501/4502 series strike sets, 459 series paddle handles, 456 series lever handles, 404 series cylinder guards, 408 series lock indicators, 4015 series threshold bolts, 4016 and 4085 series header bolts and FLB series flush bolts against defects in material and workmanship.

Exit Device Limited Warranty Kaba Ilco offers a limited two (2) year warranty on all exit devices and accessories bearing the following item numbers 128 Series CVR and 129 Series Rim exit devices against defects in material and workmanship.

In compliance with current regulations relating to industrial property, we hereby state that the brand, trademarks and/or trade names utilized within this document are the exclusive property of the authorized manufacturers.

Said trademarks and/or trade names are nominated only for the purposes of information in order that any cylinder, lock, key and/or door hardware for which our products are made can be rapidly identified.

All information and illustrations in this document are for guidance only. We reserve the right to alter products designs, dimensions and information.

The contents of this document are fully protected by copyright and may not be copied or reproduced in any form, without the written permission of Kaba Ilco Corp. Any controversy shall be settled by the Courts of Justice where the company has its headquarters, with express exclusion of any other court.

**North America:**

U.S.A., Canada, Caribbean Islands

**Kaba Ilco Corp.**

400 Jeffreys Road

Rocky Mount, NC 27804

[www.ilco.us](http://www.ilco.us)

Ph: 800.334.1381 or 252.446.3321

Fax: 252.446.4702



The  to your success

