

Model MEL3000 Retrofit Instructions

MEL 3000 Kit Contents:

- New activating bracket
- Motor-Drive assembly
- Notched Pin & E-Clip
- Narrow Rubber Bumper
- Wire harness
- Hinge stile mounting bracket w/ wire access hole

Step 1 – Preparation

A. Electrical power

1.A.1 - Install a First Choice power supply per the instructions provided. Power Supply MUST be class II rated in order to meet UL listing requirements.

1.A.2 - Run wiring from power supply to the door(s).

B. Remove pushbar device from the door.

1.B.1 - Remove T-cover on lock stile end.

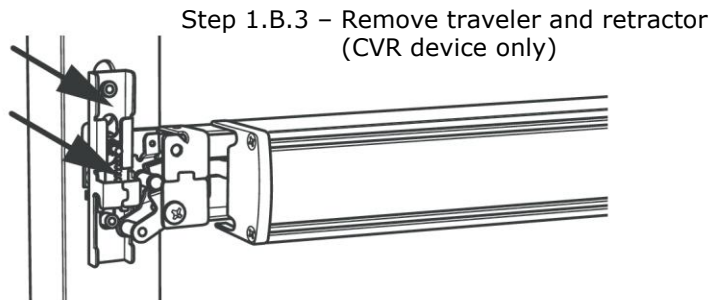
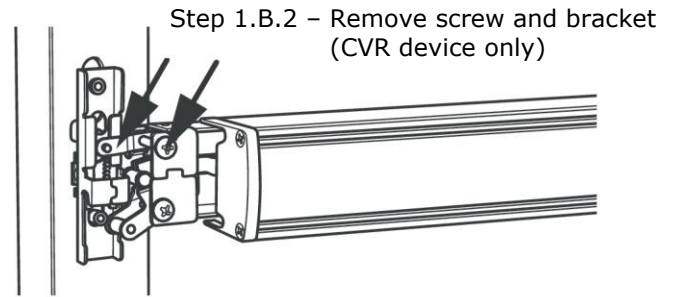
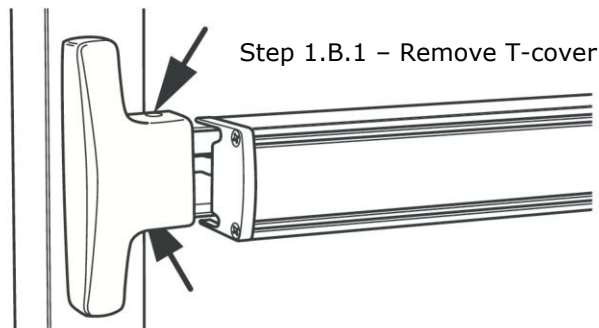
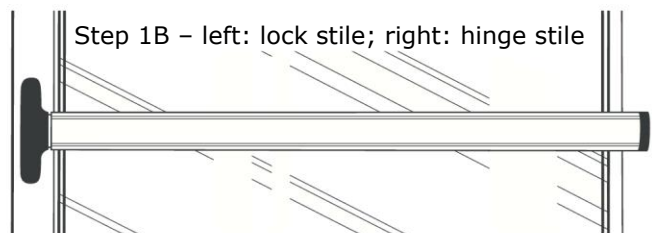
1.B.2 - Remove top axle screw & pinion support bracket.

1.B.3 - Remove geared traveler and retractor.

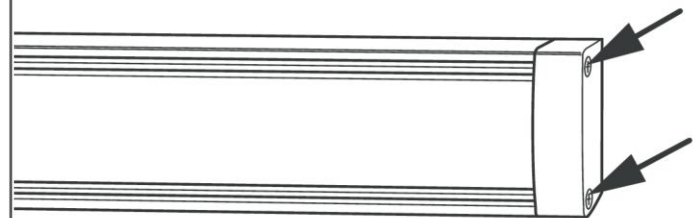
1.B.4 - Remove hinge stile end cap.

1.B.5 - Loosen the hinge stile mounting screws.

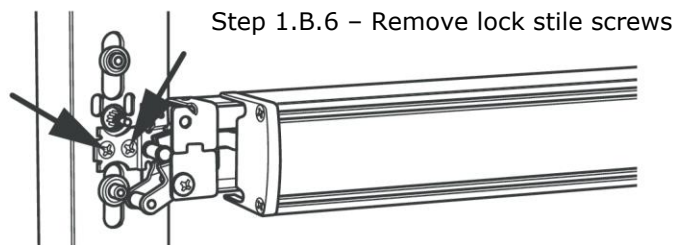
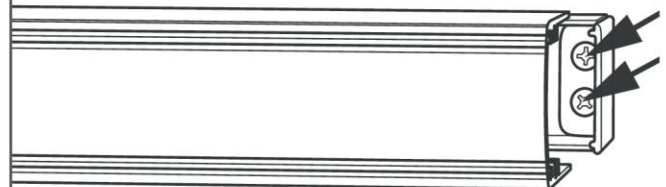
1.B.6 - Remove lock stile mounting screws.

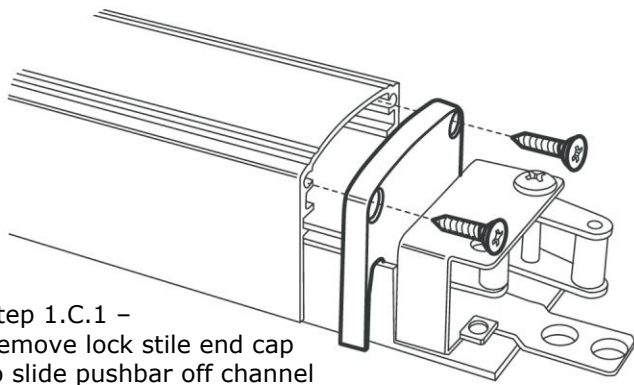


Step 1.B.4 – Remove hinge stile end cap

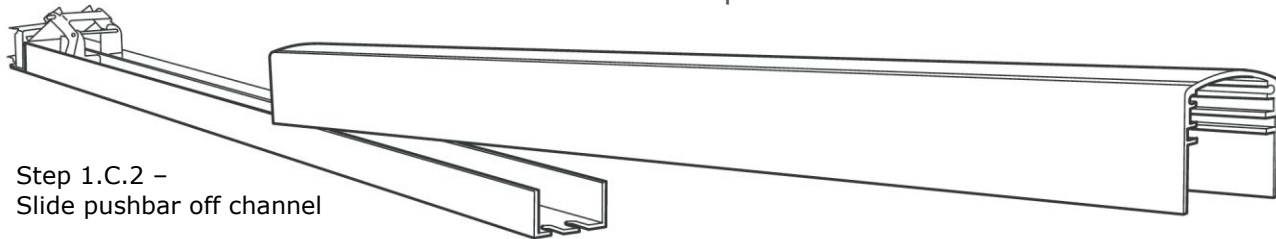


Step 1.B.5 – Loosen bracket screws. Do not remove.





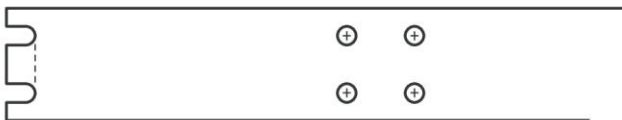
Step 1.C.1 – Remove lock stile end cap to slide pushbar off channel



Step 1.C.2 – Slide pushbar off channel

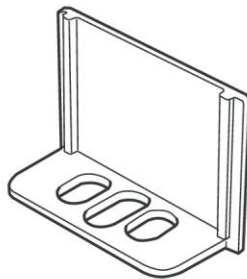


Step 2.3 – Trim connecting rod

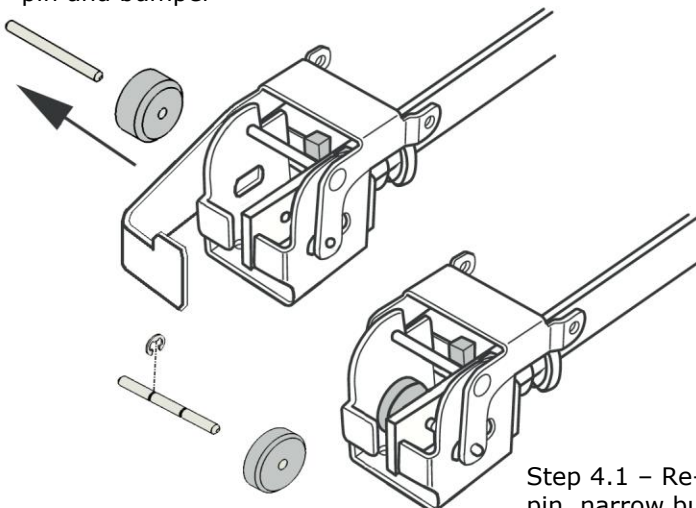


Step 3.1 – Provide opening for wiring

Step 3.2 – Install new hinge stile bracket



Step 2.2 – Remove old pin and bumper



Step 4.1 – Re-assemble with notched pin, narrow bumper, & E-clip

Step 1 - Preparation (continued)

C. Remove pushbar.

- 1.C.1 - Remove lock stile end cap.
- 1.C.2 - Slide push bar toward hinge stile.
- 1.C.3 - Remove dogging assembly from the channel by removing two (2) screws on channel. Discard old dogging assembly but keep axle pins.

Step 2 - Shorten the connecting rod

- 2.1 - Remove rear activating (dogging) bracket by removing 2 screws on back of channel.
- 2.2 - Remove activating bracket axle pin to disconnect connecting rod. Remove other parts as necessary to access connecting rod.
- 2.3 - Trim connecting rod as shown, allowing 1/2" from axle hole to remain.

Step 3 - Provide wiring access

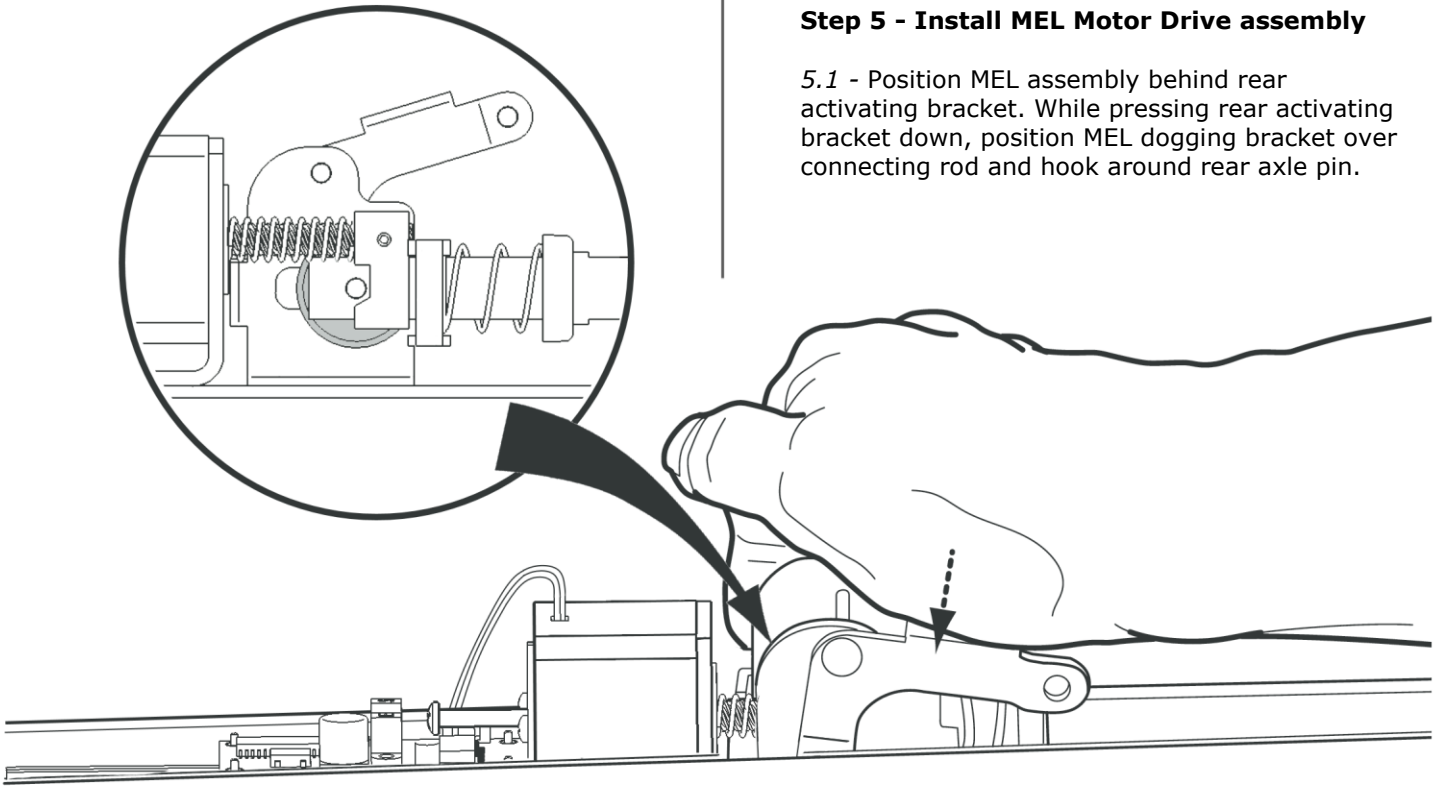
- 3.1 - Cut notch or drill hole in back of channel to permit routing of connector that is on end of wire harness.
- 3.2 - Remove and replace hinge stile mounting bracket on door with new bracket provided. Do not tighten screws. Discard old bracket.

Step 4 - Activating hardware assembly

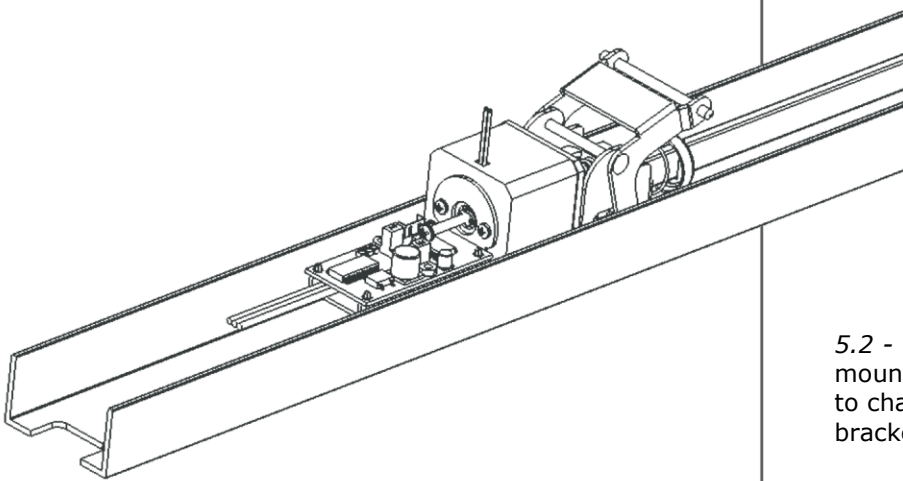
- 4.1 - Assemble new rear activating bracket to shortened connecting rod with notched axle pin and narrow bumper.
- 4.2 - Install E-clip onto notch of axle pin (AFTER assembled with connecting rod), next to bumper, to restrict bumper from moving along axle.
- 4.3 - Apply grease to bumper and notched axle pin to provide lubrication for movement inside bracket. Do not yet secure bracket to channel.

Step 5 - Install MEL Motor Drive assembly

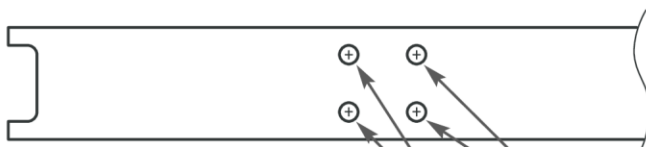
5.1 - Position MEL assembly behind rear activating bracket. While pressing rear activating bracket down, position MEL dogging bracket over connecting rod and hook around rear axle pin.



Step 5.1 - Hook MEL dogging bracket around rear axle pin

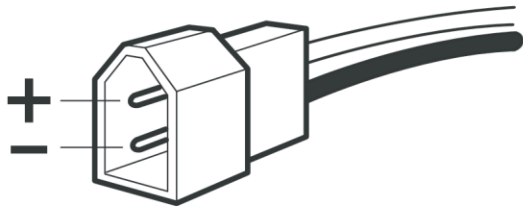


5.2 - Place entire assembly into channel and mount both MEL assembly and activating bracket to channel using 4X screws and holes. Activation brackets should move freely when pressed down.



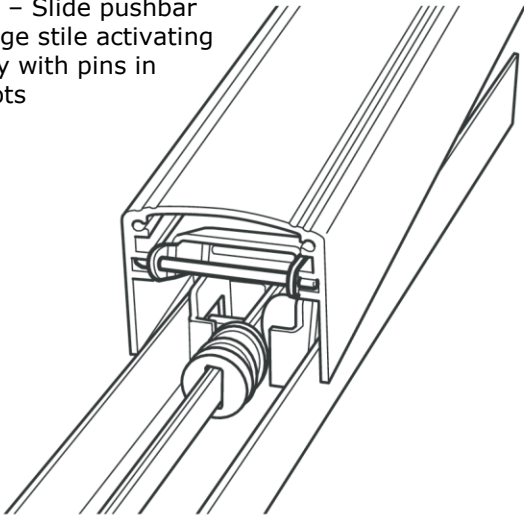
Step 5.2 - Screw identification

MEL Motor drive
Activating bracket

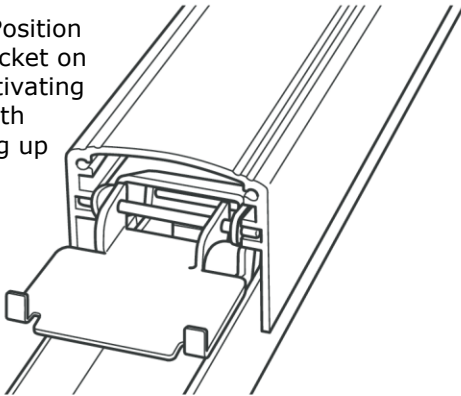


Step 6.2 – Plug polarity

Step 6.3 – Slide pushbar
Onto hinge stile activating
assembly with pins in
lower slots



Step 6.4 – Position
pushbar bracket on
lock stile activating
assembly with
tabs pointing up



Step 6 - Re-assemble and install

6.1 - Mount channel assembly to door with channel underneath new hinge stile bracket. Attach device to lock stile and tighten screws, then tighten hinge stile bracket mounting screws.

6.2 - Make wiring power connections and test for proper Motor operation. Power Supply MUST be class II rated in order to meet UL listing requirements.

6.3 - Re-assemble pushbar onto channel and activating assemblies by sliding onto pins of activating brackets – pins will only fit in lower pushbar slots.

6.4 - Make sure the pushbar bracket stop tabs are installed with tabs turned up, away from the channel.

6.5 - Reinstall end caps.



Phone: (800) 793-4544
Fax: (800) 867-5016

www.firstchoicebuildingproducts.com