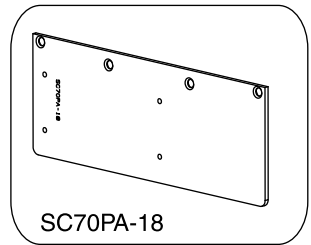




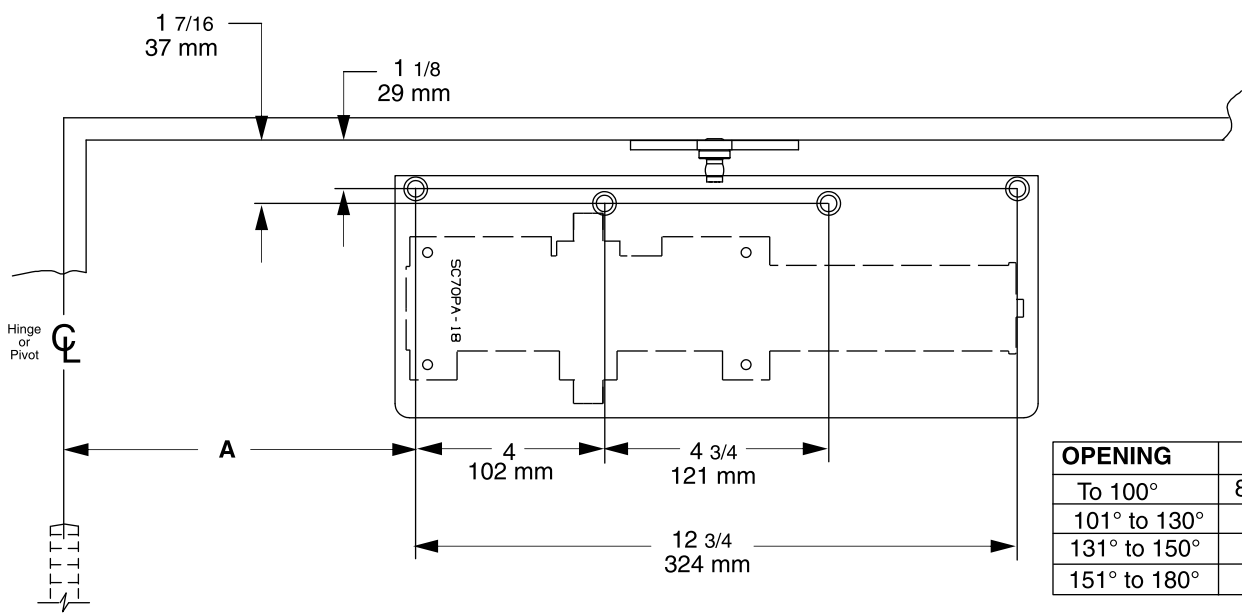
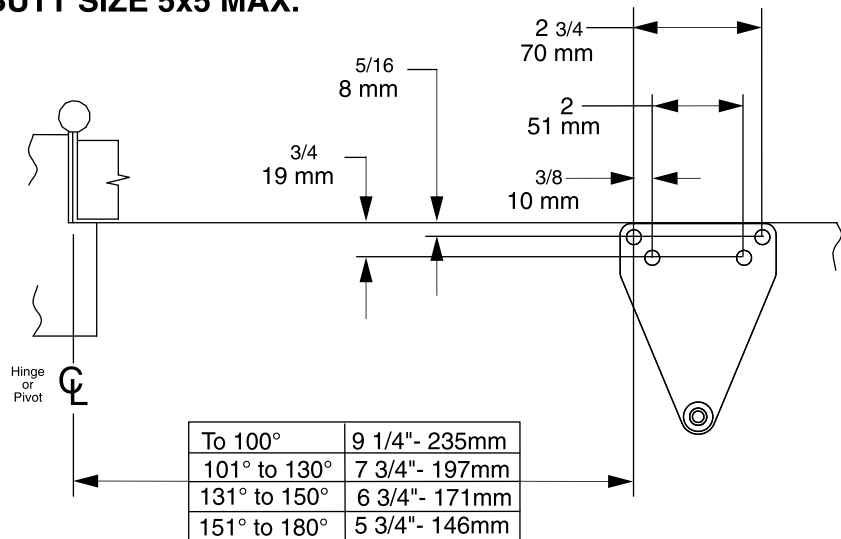
**SC 71 PUSH SIDE (PA DOOR MOUNT) DROP PLATE PERMITS 180° MAX. OPENING, BUTT SIZE 5x5 MAX.**

**PUSH SIDE MOUNT ON:  
SC70PA-18 DROP PLATE**



SC70PA-18

General Notes:  
1. Use Standard instruction sheet for installation sequence and closer adjustments.



**LEFT HAND DOOR ILLUSTRATED.** Same dimensions apply for Right Hand Door measured from centerline of hinge.

PLATE FASTENERS		DOOR / FRAME	DRILL-SIZES
PLATE	1/4-20 machine	METAL	drill: #7 tap: 1/4-20
	#14 wood	WOOD	1/8"
CLOSER BODY	1/4-20 machine	PLATE	N/A

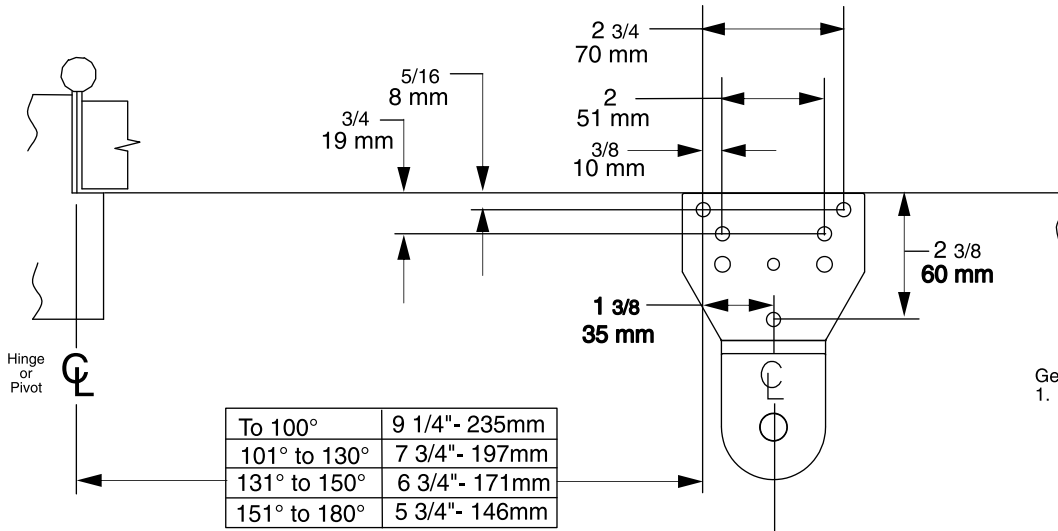
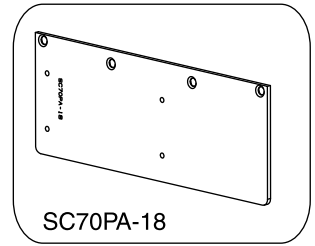
**CAUTION**  
IMPROPER INSTALLATION OR REGULATION MAY RESULT IN PERSONAL INJURY OR PROPERTY DAMAGE. FOLLOW ALL INSTRUCTIONS CAREFULLY. FOR QUESTIONS, CALL FALCON AT 1-877-671-7011

**ADVERTENCIA**  
Una instalación o un ajuste incorrectos pueden resultar en daño personal o material. Siga bien todas las instrucciones. para más informaciones, llama a Falcon al 1-877-671-7011

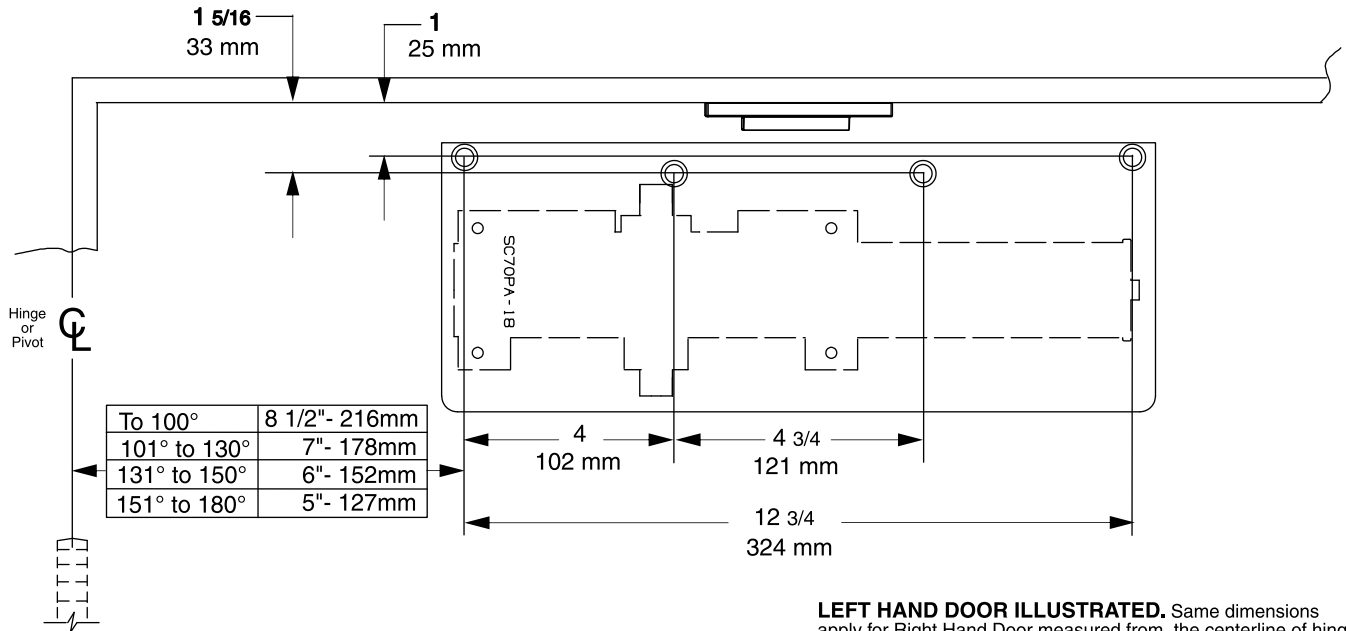
**DANGER**  
Une installation ou un réglage inadéquats peuvent entraîner des blessures ou des dommages. Veuillez suivre toutes les instructions avec soin. Pour plus de renseignements, composez le 1-877-671-7011

**SC 71 Heavy Duty PUSH SIDE (PA DOOR MOUNT) DROP PLATE PERMITS 180° MAX. OPENING, BUTT SIZE 5x5 MAX.**

**PUSH SIDE MOUNT ON:  
SC70PA-18 DROP PLATE**



General Notes:  
1. Use Heavy Duty instruction sheet for installation sequence and closer adjustments.



**LEFT HAND DOOR ILLUSTRATED.** Same dimensions apply for Right Hand Door measured from the centerline of hinge.

PLATE FASTENERS		DOOR / FRAME	DRILL-SIZES
PLATE	1/4-20 machine	METAL	drill: #7 tap: 1/4-20
	#14 wood	WOOD	1/8"
CLOSER BODY	1/4-20 machine	PLATE	N/A

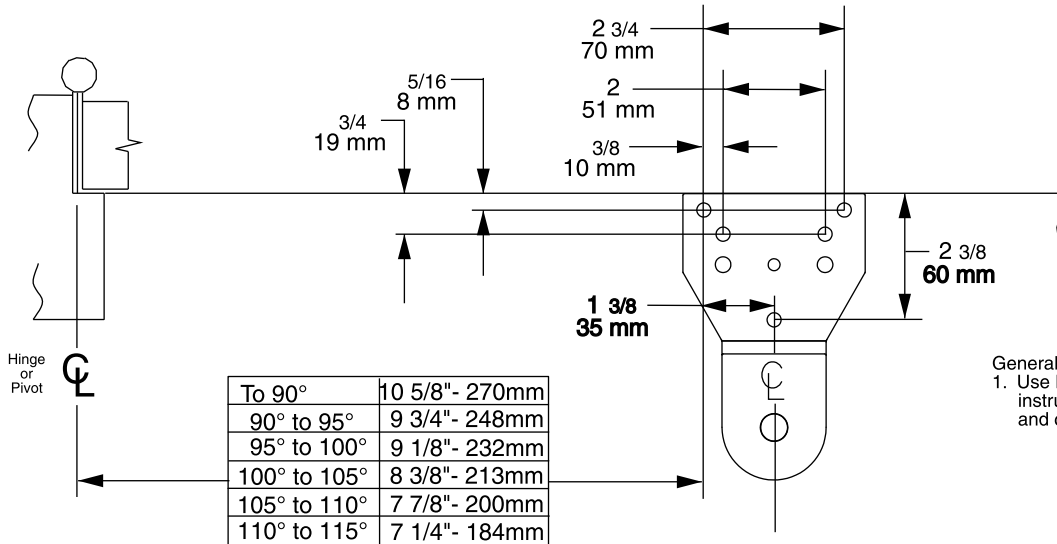
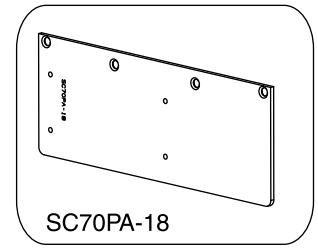
**CAUTION**  
IMPROPER INSTALLATION OR REGULATION MAY RESULT IN PERSONAL INJURY OR PROPERTY DAMAGE. FOLLOW ALL INSTRUCTIONS CAREFULLY. FOR QUESTIONS, CALL FALCON AT 1-877-671-7011

**ADVERTENCIA**  
Una instalación o un ajuste incorrectos pueden resultar en daño personal o material. Siga bien todas las instrucciones. para más informaciones, llama a Falcon al 1-877-671-7011

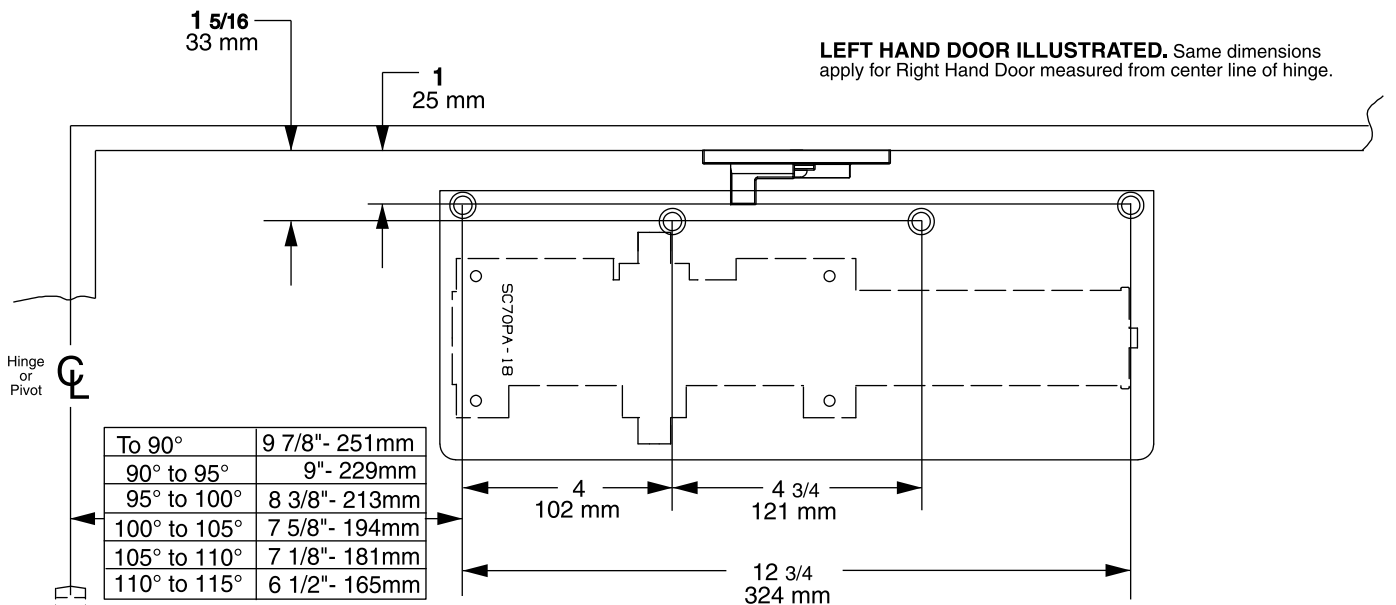
**DANGER**  
Une installation ou un réglage inadéquats peuvent entraîner des blessures ou des dommages. Veuillez suivre toutes les instructions avec soin. Pour plus de renseignements, composez le 1-877-671-7011

**SC 71 Dead Stop (or w/ DS Hold-open) PUSH SIDE (PA DOOR MOUNT) DROP PLATE PERMITS 115° MAX. OPENING, BUTT SIZE 5x5 MAX.**

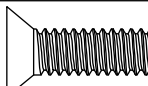
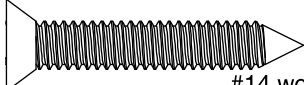
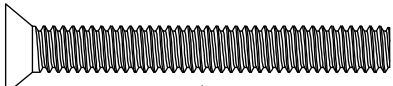
**PUSH SIDE MOUNT ON:  
SC70PA-18 DROP PLATE**



General Notes:  
1. Use Dead Stop & Dead Stop Hold Open instruction sheet for installation sequence and closer adjustments.



**LEFT HAND DOOR ILLUSTRATED.** Same dimensions apply for Right Hand Door measured from center line of hinge.

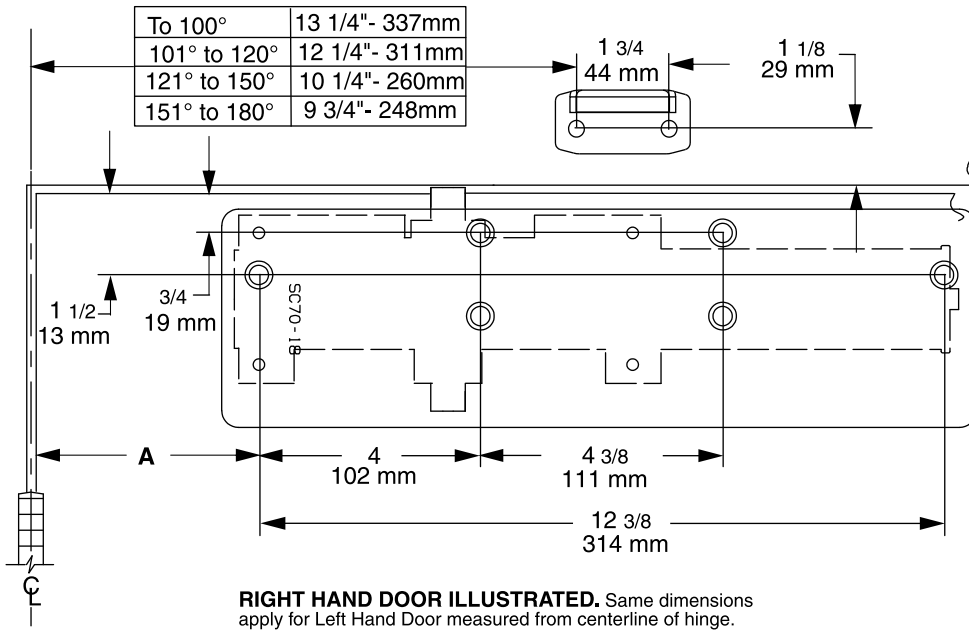
PLATE FASTENERS		DOOR / FRAME	DRILL-SIZES
PLATE	 1/4-20 machine	METAL	drill: #7 tap: 1/4-20
	 #14 wood	WOOD	1/8"
CLOSER BODY	 1/4-20 machine	PLATE	N/A

**CAUTION**  
IMPROPER INSTALLATION OR REGULATION MAY RESULT IN PERSONAL INJURY OR PROPERTY DAMAGE. FOLLOW ALL INSTRUCTIONS CAREFULLY. FOR QUESTIONS, CALL FALCON AT 1-877-671-7011

**ADVERTENCIA**  
Una instalación o un ajuste incorrectos pueden resultar en daño personal o material. Siga bien todas las instrucciones. para más informaciones, llama a Falcon al 1-877-671-7011

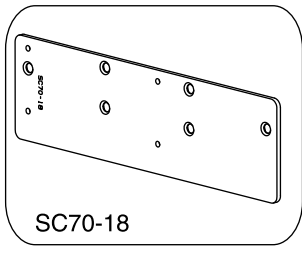
**DANGER**  
Une installation ou un réglage inadéquats peuvent entraîner des blessures ou des dommages. Veuillez suivre toutes les instructions avec soin. Pour plus de renseignements, composez le 1-877-671-7011

**SC 71 Hold-Open PULL SIDE (HINGE SIDE DOOR MOUNT) BACK PLATE PERMITS 180° MAX. OPENING, BUTT SIZE 5x5 MAX.**



**RIGHT HAND DOOR ILLUSTRATED.** Same dimensions apply for Left Hand Door measured from centerline of hinge.

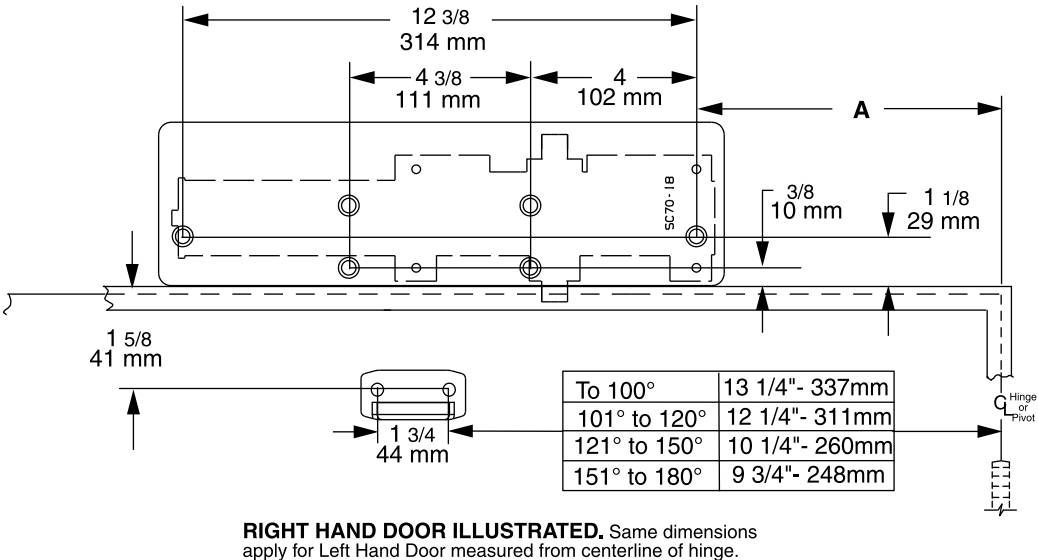
**PULL SIDE MOUNT ON: SC70-18 BACK PLATE**



General Notes:  
1. Use Standard instruction sheet for installation sequence and closer adjustments.

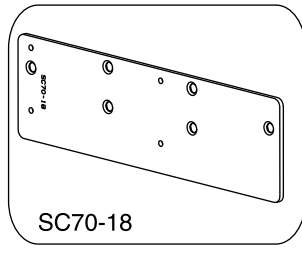
OPENING	A
To 100°	7 5/8" - 194mm
101° to 120°	6 5/8" - 168mm
121° to 150°	4 5/8" - 117mm
151° to 180°	4 1/8" - 105mm

**SC 71 Hold-Open PUSH SIDE (TOP JAMB) BACK PLATE PERMITS 180° MAXIMUM OPENING**



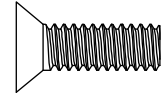
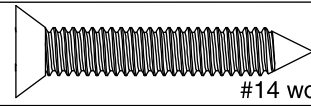
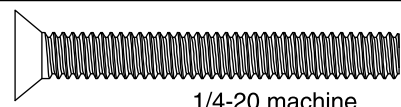
**RIGHT HAND DOOR ILLUSTRATED.** Same dimensions apply for Left Hand Door measured from centerline of hinge.

**PUSH SIDE MOUNT ON: SC70-18 BACK PLATE**



General Notes:  
1. Use Standard instruction sheet for installation sequence and closer adjustments.

OPENING	A
To 100°	7 5/8" - 194mm
101° to 120°	6 5/8" - 168mm
121° to 150°	4 5/8" - 117mm
151° to 180°	4 1/8" - 105mm

PLATE FASTENERS		DOOR / FRAME	DRILL-SIZES
PLATE	 1/4-20 machine	METAL	drill: #7 tap: 1/4-20
	 #14 wood	WOOD	1/8"
CLOSER BODY	 1/4-20 machine	PLATE	N/A

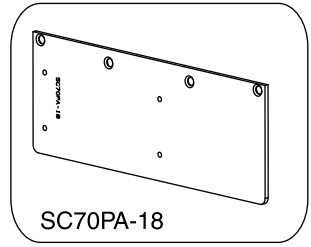
**CAUTION**  
IMPROPER INSTALLATION OR REGULATION MAY RESULT IN PERSONAL INJURY OR PROPERTY DAMAGE. FOLLOW ALL INSTRUCTIONS CAREFULLY. FOR QUESTIONS, CALL FALCON AT 1-877-671-7011

**ADVERTENCIA**  
Una instalación o un ajuste incorrectos pueden resultar en daño personal o material. Siga bien todas las instrucciones. para más informaciones, llama a Falcon al 1-877-671-7011

**DANGER**  
Une installation ou un réglage inadéquats peuvent entraîner des blessures ou des dommages. Veuillez suivre toutes les instructions avec soin. Pour plus de renseignements, composez le 1-877-671-7011

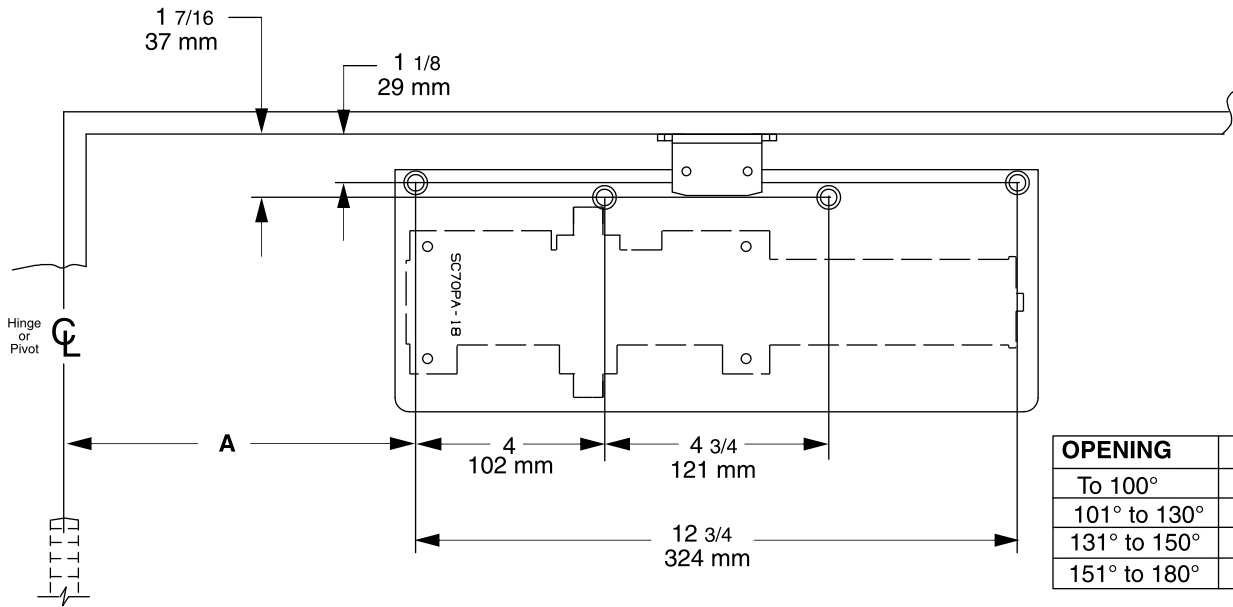
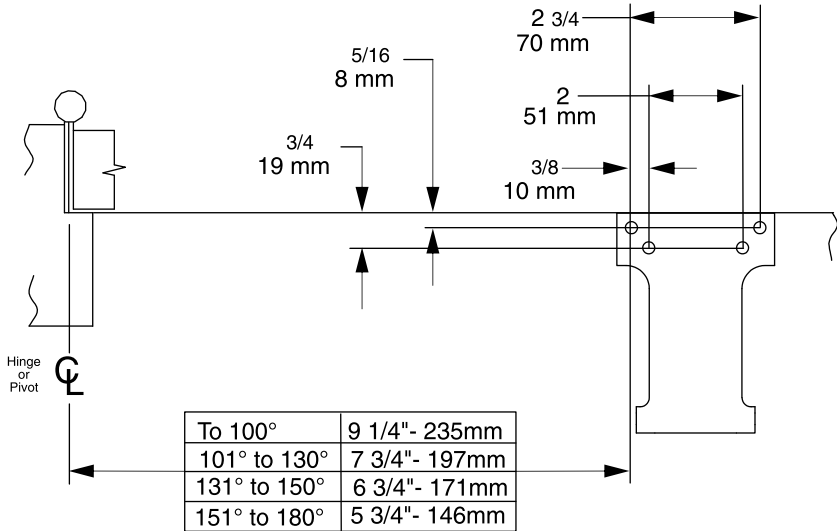
**SC 71 Hold-Open PUSH SIDE (PA DOOR MOUNT) DROP PLATE PERMITS 180° MAX. OPENING, BUTT SIZE 5x5 MAX.**

**Hold-Open PUSH SIDE MOUNT ON: SC70PA-18 DROP PLATE**



SC70PA-18

General Notes:  
1. Use Standard instruction sheet for installation sequence and closer adjustments.



**LEFT HAND DOOR ILLUSTRATED.** Same dimensions apply for Right Hand Door measured from centerline of hinge.

PLATE FASTENERS		DOOR / FRAME	DRILL-SIZES
PLATE	1/4-20 machine	METAL	drill: #7 tap: 1/4-20
	#14 wood	WOOD	1/8"
CLOSER BODY	1/4-20 machine	PLATE	N/A

**CAUTION**  
IMPROPER INSTALLATION OR REGULATION MAY RESULT IN PERSONAL INJURY OR PROPERTY DAMAGE. FOLLOW ALL INSTRUCTIONS CAREFULLY. FOR QUESTIONS, CALL FALCON AT 1-877-671-7011

**ADVERTENCIA**  
Una instalación o un ajuste incorrectos pueden resultar en daño personal o material. Siga bien todas las instrucciones. para más informaciones, llama a Falcon al 1-877-671-7011

**DANGER**  
Une installation ou un réglage inadéquats peuvent entraîner des blessures ou des dommages. Veuillez suivre toutes les instructions avec soin. Pour plus de renseignements, composez le 1-877-671-7011