

SC70A Series



Falcon SC70A Series heavy duty closers are built for applications that demand reliable door control and easy maintenance. The SC70A Series closers are ANSI grade 1, ADA compliant and deliver tough performance. Choose the SC70A for interior or exterior doors in retail shops, restaurants, small offices and many other high traffic applications.

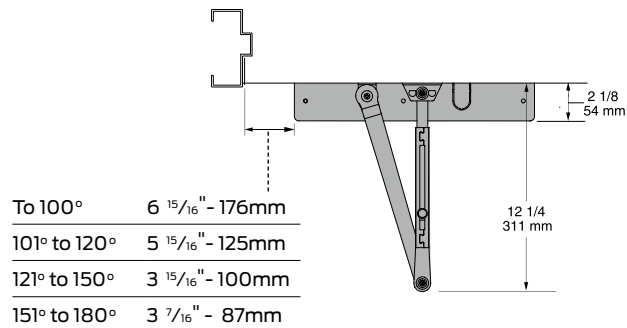
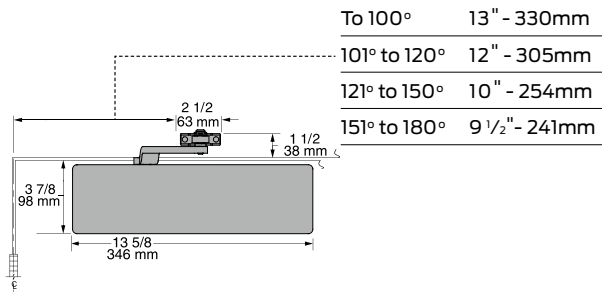
Standard features

- Fully adjustable sizes 1-6
- Separate adjustable general speed, latch speed and backcheck
- Closer mounts hinge side, top jamb or parallel arm when either the RW/PA or HW/PA arm is specified
- Non-handed for left or right swinging doors
- 1 1/2" diameter heat treated steel piston
- Double heat-treated pinion
- Universal screw pack for aluminum, hollow metal, and wood doors, includes self reaming and tapping screws
- Staked valves
- Meets ANSI A117.1
- Listed ANSI/BHMA A156.4, grade 1
- UL listed and compliant to UL10C and UBC 7-2 (1997)
- Fast and easy installation
- 10-year warranty
- Available in aluminum, brass, dark bronze, and matte black

Listings and ratings

The Falcon SC71A is UL approved and compliant with the UL 10C and UBC 7-2 (1997) fire test. Additionally, the SC71A is rated ANSI/BHMA A156.4, grade 1 and designed to meet the American Disabilities Act (ADA) and ANSI A117.1

SC70A Series hinge (pull side)



Butt hinges should not exceed 5" (127mm) in width.

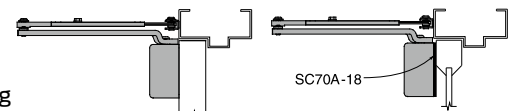
Auxiliary stop is recommended at hold-open point or where a door cannot swing 180°.

Reveal should not exceed 3/4" (19mm) for regular arm or hold-open arm.

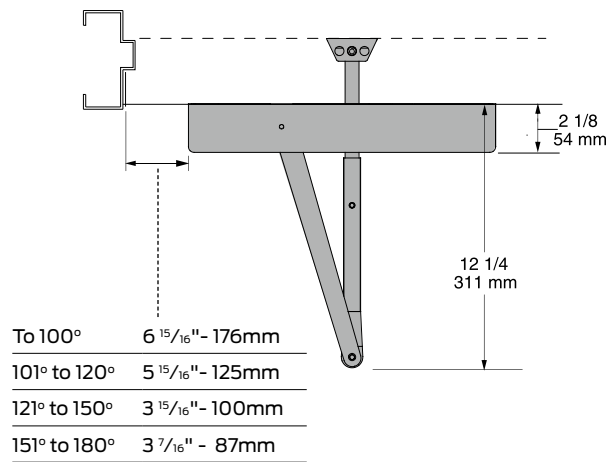
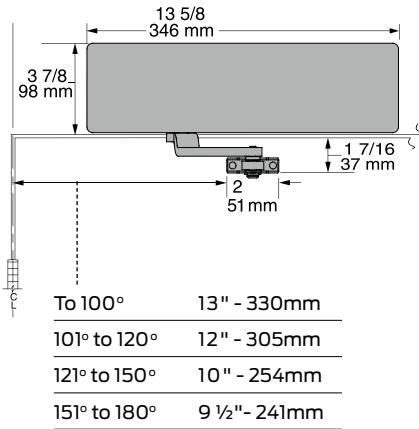
Top rail less than 3 7/8" (98mm) requires plate SC70A-18.

Clearance of 2 1/8" (54mm) behind door required for 90° installation.

Delayed action add suffix "DEL" to selected cylinder (ex. SC70A DEL). Delays closing from maximum opening to approx. 70° with adjustable delay time.



SC70A Series top jamb (push side)



Butt hinges should not exceed 5" (127mm) in width.

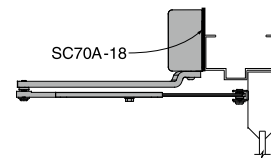
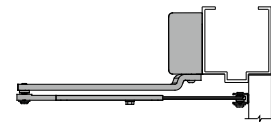
Auxiliary stop is recommended at hold-open point or where a door cannot swing 180°

Reveal should not exceed 3 1/4" (83mm) for regular arm or hold-open arm.

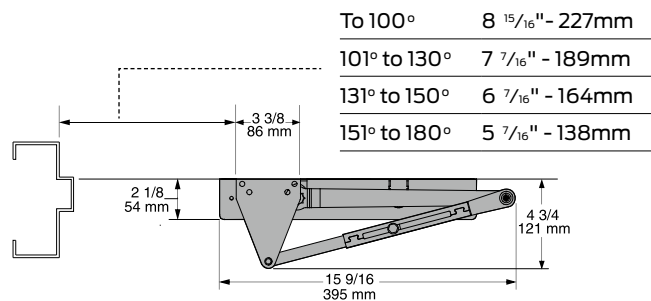
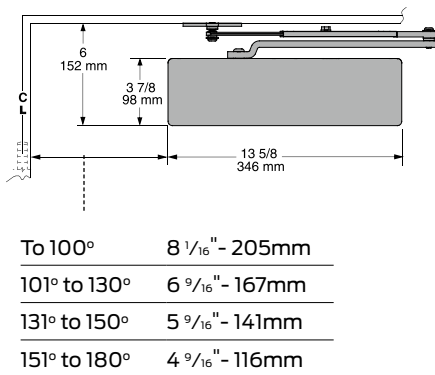
Top rail of 1 1/2" (38mm) required.

Head frame less than 3 7/8" (98mm) requires plate SC70A-18.

Delayed action add suffix "DEL" to selected cylinder (ex. SC70A DEL). Delays closing from maximum opening to approx. 70°, with adjustable delay time.



SC70A Series parallel (push side)

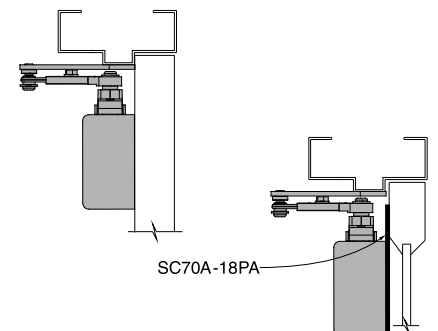


Butt hinges should not exceed 5" (127mm) in width.

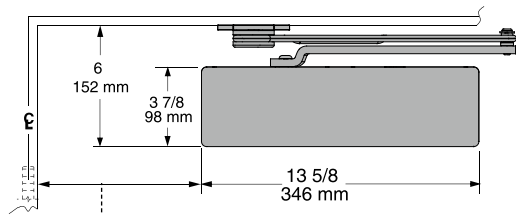
Auxiliary stop is recommended at hold-open point or where a door cannot swing 180°

Top rail less than 6" (152mm) measured from stop requires plate SC70A-18PA.

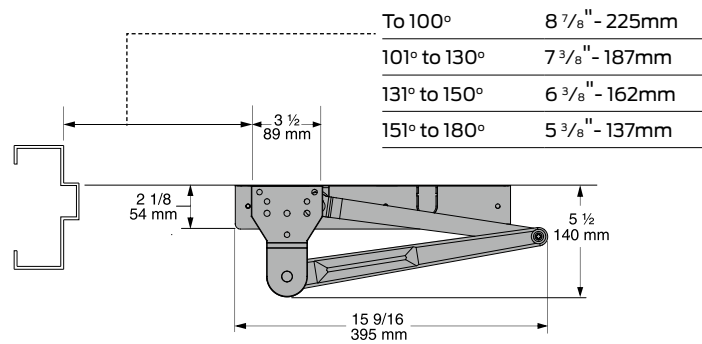
Delayed action add suffix "DEL" to selected cylinder (ex. SC70A DEL). Delays closing from maximum opening to approx. 70°, with adjustable delay time.



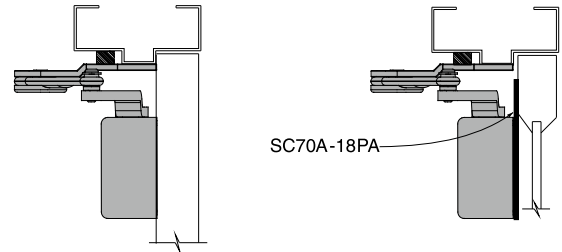
SC70A Series heavy duty (parallel)



To 100°	8 1/16" - 205mm
101° to 130°	6 9/16" - 167mm
131° to 150°	5 9/16" - 141mm
151° to 180°	4 9/16" - 116mm



To 100°	8 7/8" - 225mm
101° to 130°	7 3/8" - 187mm
131° to 150°	6 3/8" - 162mm
151° to 180°	5 3/8" - 137mm



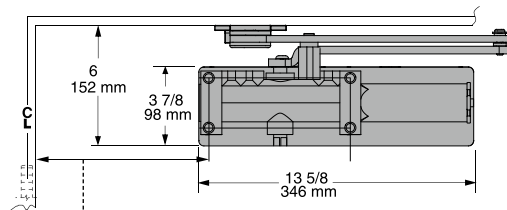
Butt hinges should not exceed 5" (127mm) in width.

Auxiliary stop is recommended at hold-open point, where a door cannot swing 180°, or where dead stop or spring-n-stop arm is not used.

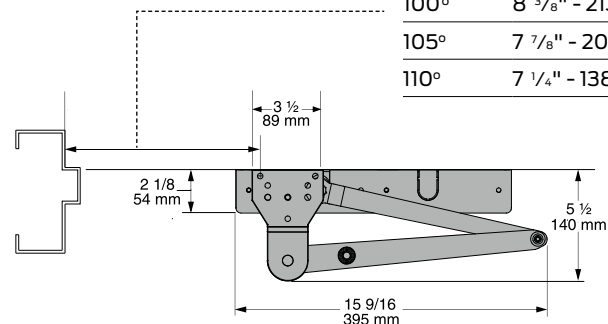
Top rail less than 6" (152mm) measured from stop requires plate SC70A-18PA.

Delayed action add suffix "DEL" to selected cylinder (ex. SC70A DEL). Delays closing from maximum opening to approx. 70°, with adjustable delay time.

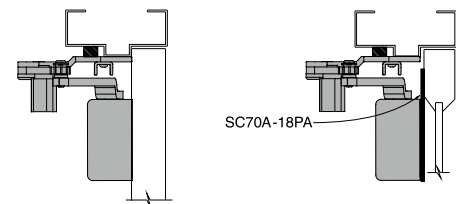
SC70A Series dead stop HO (parallel)



85°	10 1/8" - 257mm
90°	9 1/4" - 235mm
95°	8 5/8" - 219mm
100°	7 7/8" - 200mm
105°	7 3/8" - 187mm
110°	6 3/4" - 171mm



85°	10 5/8" - 270mm
90°	9 3/4" - 248mm
95°	9 1/8" - 232mm
100°	8 3/8" - 213mm
105°	7 7/8" - 200mm
110°	7 1/4" - 138mm



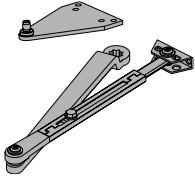
Butt hinges should not exceed 5" (127mm) in width.

Top rail less than 6" (152mm) measured from stop requires plate SC70A-18PA.

Delayed action add suffix "DEL" to selected cylinder (ex. SC70A DEL). Delays closing from maximum opening to approx. 70°, with adjustable delay time.

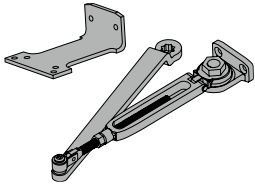
Arm types

All SC70A Series closers come with full cover, standard arm and screw pack.



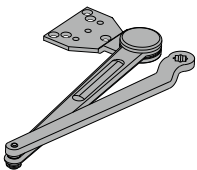
Regular arm, SC70A-3077PA

Non-handed arm with adjustable forearm assembly to accommodate a range of doors and frame reveal conditions. Mounts hinge side, top jamb or parallel arm. PA shoe included to allow installation in a parallel arm configuration.



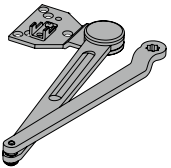
Hold-open arm, SC70A-3049PA

Optional, non-handed, hold open arm with adjustable forearm assembly to accommodate a range of doors and frame reveal conditions. Mounts hinge side, top jamb or parallel arm. PA shoe included to allow installation in a parallel arm configuration.



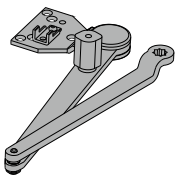
Heavy duty regular arm, SC70A-3077HD

Optional, non-handed, stamped, heavy duty, parallel arm for use in high-traffic applications.



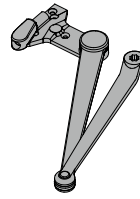
Dead stop arm, SC70A-3077DS

Optional, non-handed, stamped, heavy duty, parallel arm includes a positive mechanical stop and non-adjustable forearm assembly for high volume traffic or potentially abusive installation conditions.



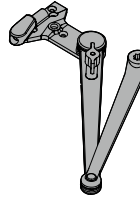
Dead stop hold-open arm, SC70A-3049DS

Optional, non-handed, stamped, heavy duty, hold-open parallel arm includes a positive mechanical stop and non-adjustable forearm assembly for high volume traffic or potentially abusive installation conditions. Also includes a manually selective hold-open function.



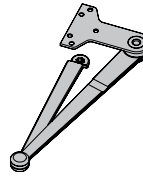
Spring-n-stop arm, SC70A-3077SS

Optional, non-handed, extra heavy-duty, forged parallel arm includes an integral spring stop and non-adjustable forearm assembly for high volume traffic or potentially abusive installation conditions.



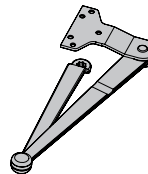
Spring-n-stop hold-open arm, SC70A-3049SS

Optional, non-handed, extra heavy-duty, forged parallel arm includes an integral spring stop and non-adjustable forearm assembly for high volume traffic or potentially abusive installation conditions. Also includes a manually selective hold-open function.



Forged arm, SC70A-3077FA

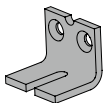
Optional, non-handed, extra heavy-duty arm with parallel arm bracket. Includes a forged steel main arm and forearm for maximum durability in high traffic and/or abusive applications. Parallel Arm (PA) bracket is a permanent feature, installation on "push" side of the door in a parallel arm type configuration is required.



Forged arm with hold open, SC70A-3049FA

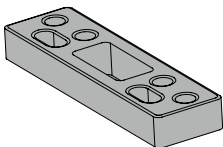
Optional, left or right handed, extra heavy-duty arm with parallel arm bracket that incorporates a hold open feature. Includes a forged steel main arm and forearm for maximum durability in high traffic and/or abusive applications. Parallel Arm (PA) bracket is a permanent feature, installation on "push" side of the door in a parallel arm type configuration is required.

Installation accessories



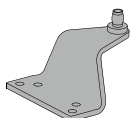
Soffit shoe support, SC70A-30

Provides anchorage for fifth screw used with soffit shoe, where reveal is less than 3 1/16" (78mm).



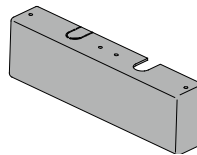
Blade stop spacer, SC70A-61

Required to lower parallel arm shoe to clear 1/2" (13mm) blade stop.



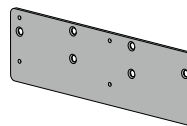
Auxiliary shoe, SC70A-62A

Requires a top rail of 7" (178mm). Optional shoe replaces PA shoe for parallel arm mounting of regular arm with overhead holder/stop.



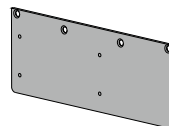
Cover, SC70A-72

Standard, non-handed, full plastic cover encloses the closer body.



Plate, SC70A-18

Required for hinge side mount where top rail is less than 3 7/8" (98mm). Required for top jamb mounting where head frame is less than 3 7/8" (98mm).



Plate, SC70A-18PA

Required for parallel arm mounting where top rail is less than 6" (152 mm), measured from the stop. Plate requires 1 3/4" (44mm) minimum top rail measured from stop.

How to order

SC70A Series

		Cylinder	Cover	Arm	Finish	Accessories
STD**	SC71A Standard					
DEL	SC71A Delay					
Full cover	SC70A-72					
RW/PA**	Regular with parallel arm shoe					
HW/PA**	Hold open with parallel arm shoe					
HD**	Heavy duty arm					
DS**	Dead stop arm					
DS/HO	Dead stop hold open arm					
SS	Spring stop arm					
SS/HO	Spring stop hold open arm					
FA	Forged arm					
FA/HO	Forged arm with hold open					
Matte black**	622					
Aluminum	689					
Dark bronze	695					
Brass*	696					
Soffit shoe support	SC70A-30					
Blade stop spacer	SC70A-61					
Auxiliary shoe	SC70A-62A					
Top jamb plate	SC70A-18					
PA Plate	SC70A-18PA					
Full cover	SC70A-72					

*Contact customer service at 1-877-671-7011 for lead time information.

**Matte Black (622) is only available on standard cylinders and RW/PA, HW/PA, DS and HD.

Note: SC71A models are adjustable sizes 1-6

* Contact customer service at 1-877-671-7011 for lead time information.

** Matte Black (622) is only available on standard cylinders and RW/PA, HW/PA, and DS.

Note: SC81A models have adjustable sizes 1-6

Cylinder options

Standard cylinder (STD) – Standard cylinder provides a main speed function to control the motion of the door from maximum opening angle until the door is a few inches from the latch where latch function controls the final closing motion. The opening swing is controlled by the hydraulic backcheck function from about 70° to maximum opening angle.

Delayed action cylinder (DEL) – Special cylinder provides a separate adjustable delayed closing motion from maximum opening angle to approximately 70°. Then the main speed function controls the door motion until the door is a few inches from the latch where latch function controls the final closing motion. During the opening swing the door is controlled by the hydraulic backcheck function from about 70° to maximum opening angle.

Competitive cross reference

Surface closer cross reference

Falcon	SC60A	SC70A	SC80A	SC90A
Norton	*1600BC	*7500/7700	*8500	1700BC
Hager	*5300	5100	*5200	5400
Stanley	*D-1650	D-4550	D-3550	
Yale	*50/51BC/1100	*4400	3300/*3500	5100BC
Sargent	*1130	280/350	*1330	
Corbin		DC8000	DC3000	
Dorma	7400	8900	*8600	7300/7200

* identical footprint to listed Falcon closer.

Concealed closer cross reference

Falcon	OHC100 Series
Dorma	RTS88
Global	TC7000
International	Series 200, Series 300, Series 500
Jackson	20-330
Kawneer	Husky II
Sentinel	30 Series