



640010-00

24-R & F-24-R

FALCON®

Rim Exit Device
Dispositivo de salida con montura
Appareil de sortie du rebord

Installation Instructions
Instrucciones de Instalación
Notice d'installation

Dogging Key Llave de trinquete Cillet vissé

Use to lock down pushbar
Utilícela para asegurar hacia abajo la barra de empuje
Utilisé pour verrouiller la barre antipanique

! If sexbolts are in box, see Sexbolt Preparation on back page
Si los pernos macho-hembra se encuentran en la caja consulte preparación de pernos macho-hembra en la página posterior
Si les colonnettes sont dans la boîte, voir la préparation de colonnettes au verso de la page

1 Draw Exit Device Centerline (☿)
Saque la línea central del dispositivo de salida (☿)
Tracer l'axe du dispositif de sortie (☿)

40" (101.6 cm) from finished floor
101.6 cm desde el piso terminado
101.6 cm à partir du plancher fini

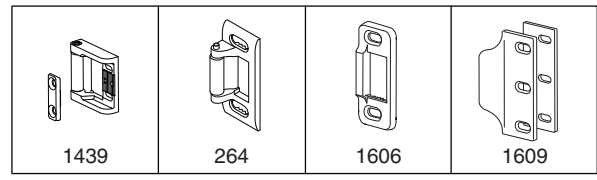
RHR LHR

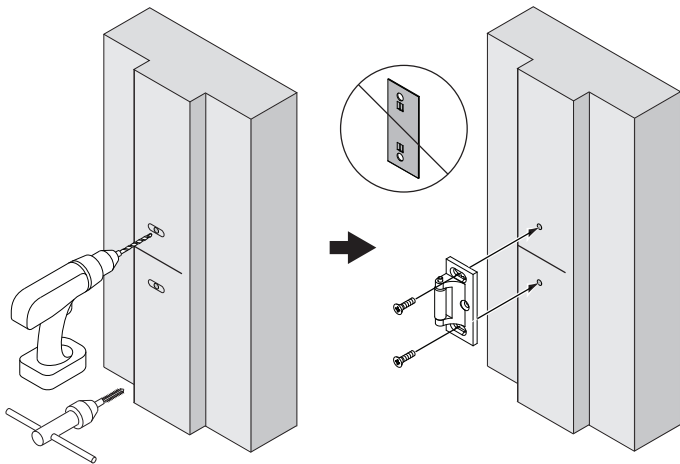
2 Mark 2 Slots
Marque 2 ranuras
Marquer deux fentes

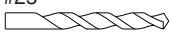
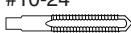
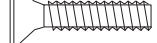
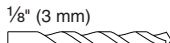
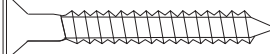
OR O OU

For more information on strikes shown below, go to:
Para mayor información sobre cerrojos que se muestran a continuación, vaya a:
Pour obtenir plus d'information au sujet des gâches illustrées ci-dessous, aller à:

www.allegion.com/us



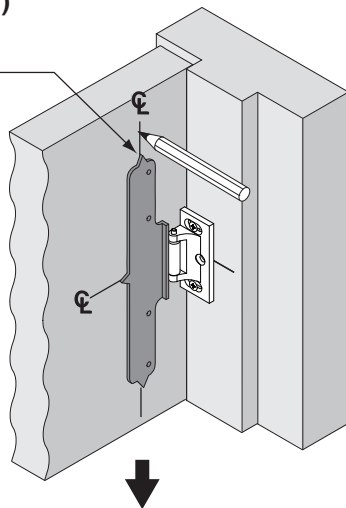
3

Metal	Metal	Métal
#25 	#10-24 	
OR O OU		
Wood	Madera	Bois
1/8" (3 mm) 	1" (25 mm) deep/profundidad/ profondeur 	

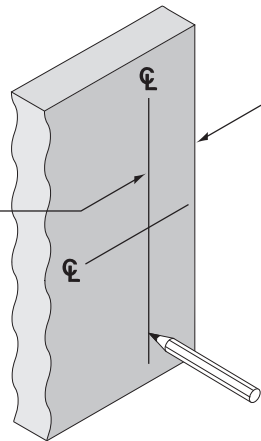
4

Draw Vertical Centerline (☿)
Sacar línea central vertical (☿)
Tracer l'axe vertical (☿)

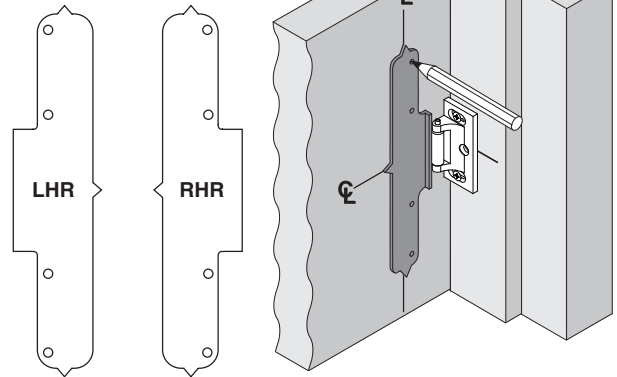
Center point on plastic template
 Punto central en la plantilla de plástico
 Placer la pointe de centrage sur le gabarit de plastique



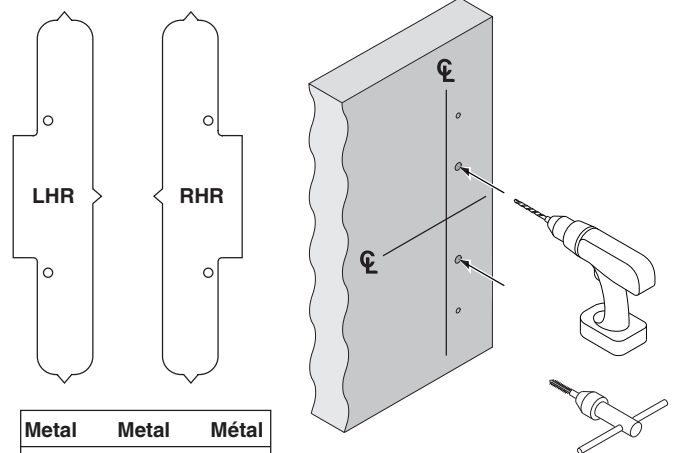
☿ Parallel with door edge
 Paralelo en el borde de la puerta
 Parallèlement au bord de la porte

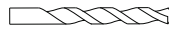
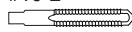
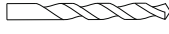
**5**

Mark 4 Holes
Maque 4 orificios
Marquer 4 orifices

**6**

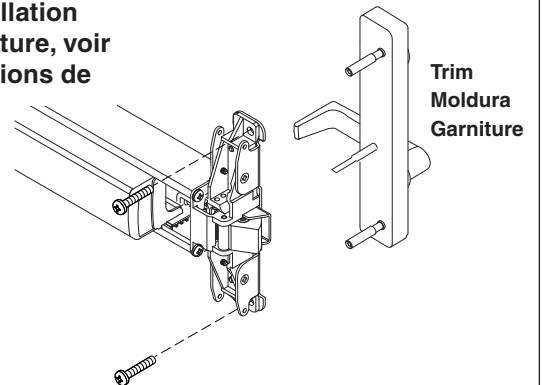
Prepare 2 Holes
Prepare 2 orificios
Préparer 2 orifices



Metal	Metal	Métal
#25 	#10-24 	
OR O OU		
Wood	Madera	Bois
1/8" (3 mm) X 1" (25 mm) 		

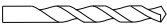

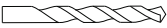
7

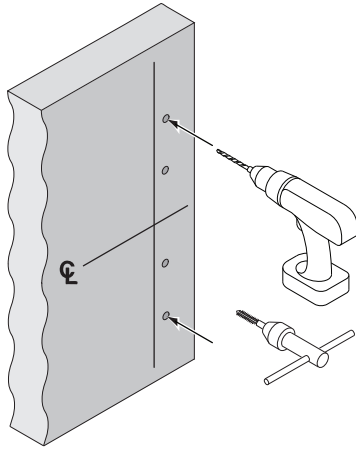
If Installing Trim, Go To Trim Instructions
Si instala la moldura, vaya a instrucciones de la moldura
Pour l'installation d'une garniture, voir les instructions de garniture



Trim
 Moldura
 Garniture

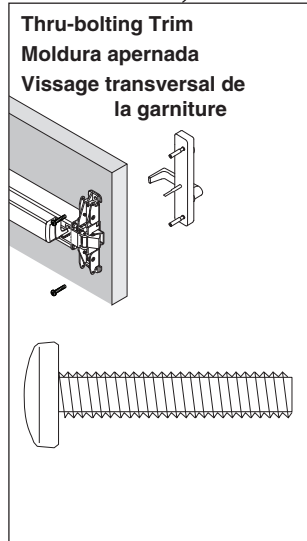
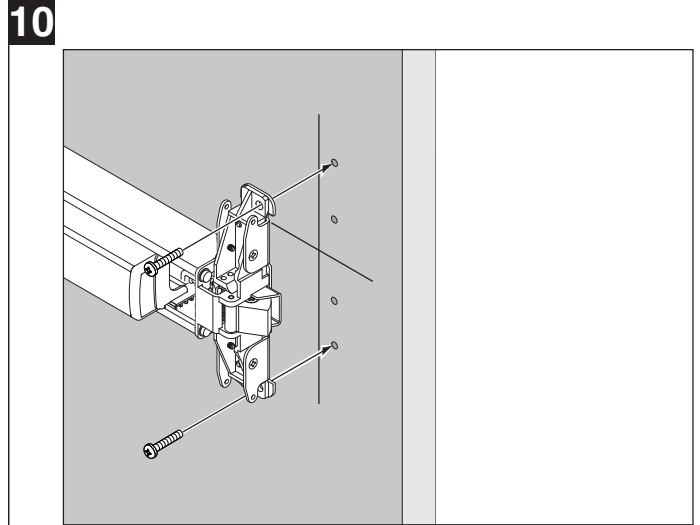
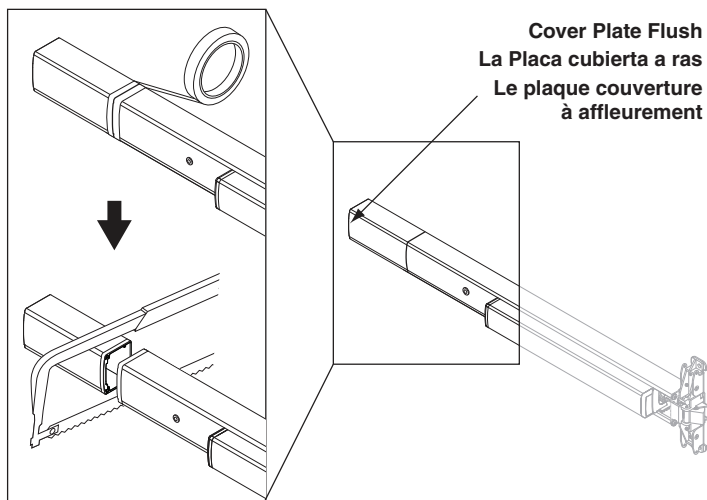
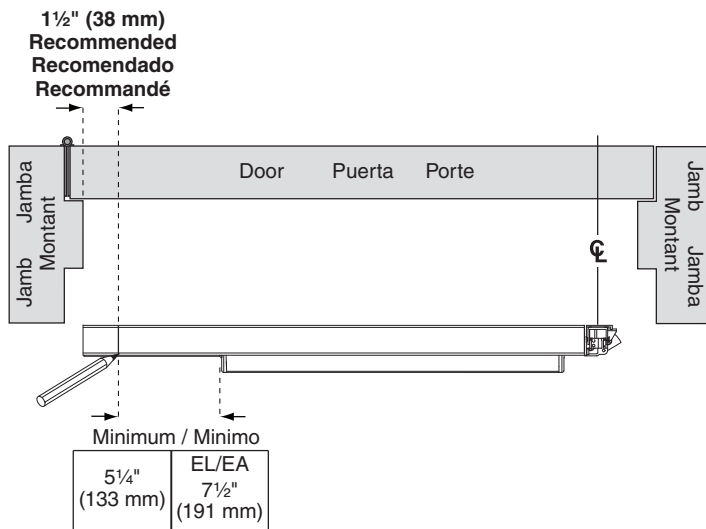
8 Prepare 2 Holes*
Prepare 2 orificios*
Préparer 2 orifices*

Metal	Metal	Métal
#7		
1/4" x #20		
----- OR O OU -----		
Wood	Madera	Bois
1/8" (3 mm) X 1" (25 mm)		

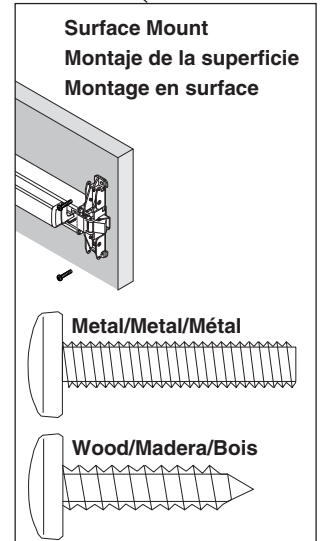


*If using trim, holes may have been drilled already
*Si utiliza molduras, los orificios ya deben estar perforados
*Les orifices peuvent être déjà percés si vous utilisez une garniture

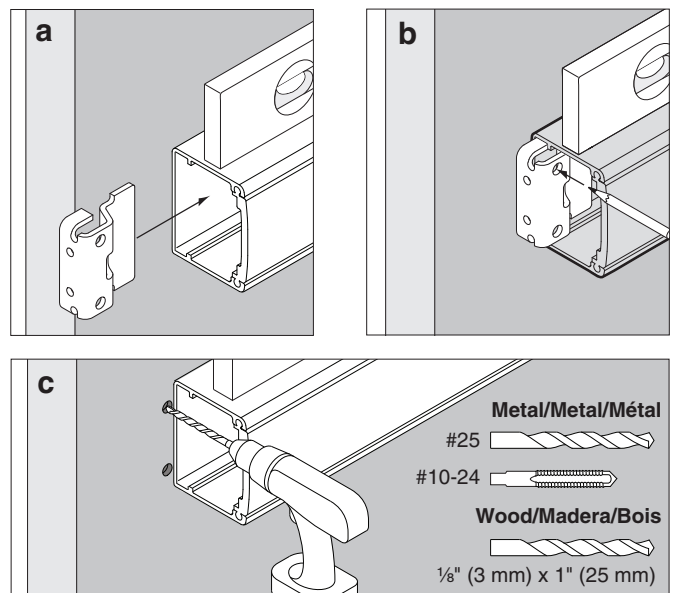
9 If Necessary, Cut Device
Si es necesario, corte el dispositivo
Couper le dispositif si nécessaire



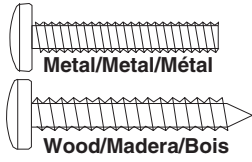
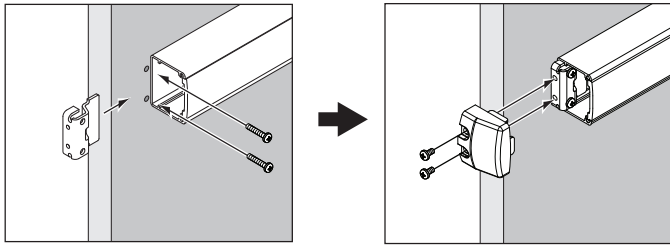
OR
O
OU



11 Mark and Prepare 2 Holes
Marque y prepare 2 orificios
Marquer et préparer 2 orifices

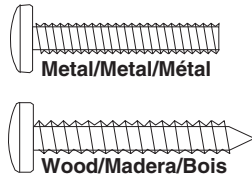
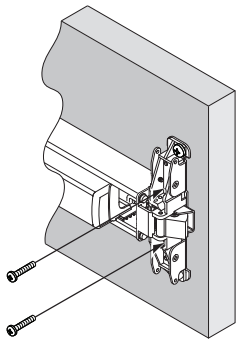


12

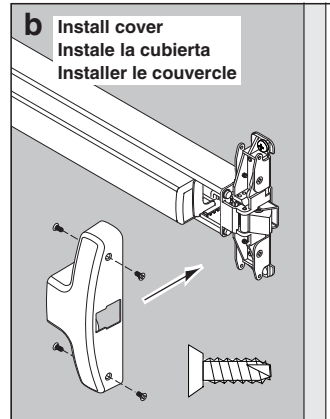
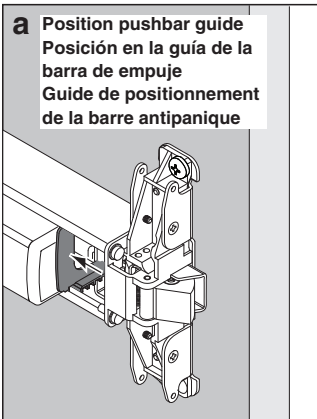


13

Install Required Support Screws
Instale los tornillos de soporte requeridos
Installer les vis nécessaires de support

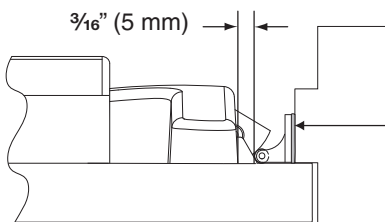


14

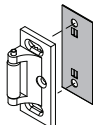


15

Check Dimension
Verifique las dimensiones
Vérifier la dimension

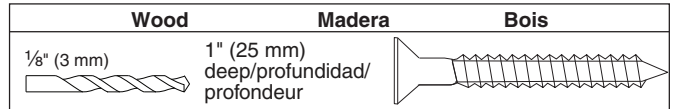
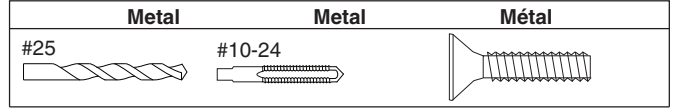
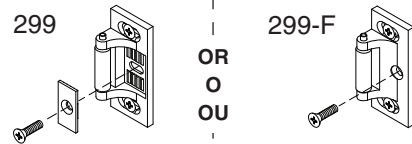


Shim as needed
 Calce conforme sea necesario
 Caler si nécessaire



16

Install Support Screw
Instale el tornillo de soporte
Installer les vis de support

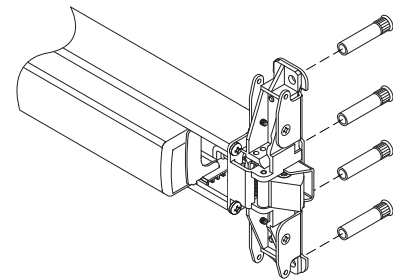
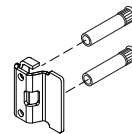
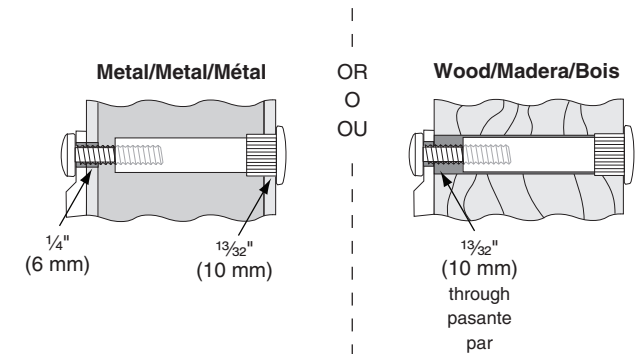


Sexbolt **Perno macho-hembra** **Colonnette**
Preparation **Preparación** **Préparation**

! If sexbolts are in box, during steps 6, 8, & 11 prepare holes and install them as shown below

Si los pernos macho-hembra se encuentran en la caja durante los pasos 6, 8 y 11 prepare los orificios

Si les colonnettes sont dans la boîte, préparer les orifices pendant les étapes 6, 8 et 11



Customer Service **Servicio al cliente** **Service à la clientèle**
 1-877-671-7011 www.allegion.com/us





941367-00

MEL 24/25 Series

FALCON®

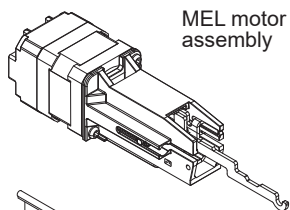
Motorized Electric Latch Retraction

Installation Instructions

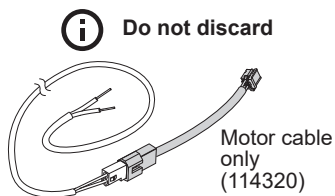


These instructions are for MEL conversion kits or MEL devices with preinstalled motors.

Parts



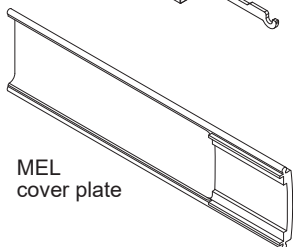
MEL motor assembly



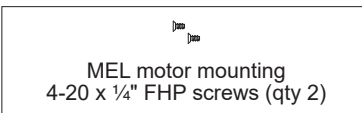
Do not discard

Motor cable only (114320)

MEL 6' cable with motor cable (47269206)



MEL cover plate



MEL motor mounting 4-20 x 1/4" FHP screws (qty 2)

Allegion Connect accessories available to order

106198 MEL-CON adapter cable with 8-pin connector

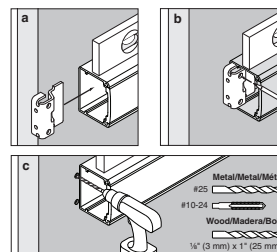
040069 MEL motor cable + MEL-CON adapter cable with 8-pin connector



If MEL is preinstalled in the device:

- A. Follow original device instruction up to the point where this end mounting bracket step has been completed.

Mark and Prepare 2 Holes

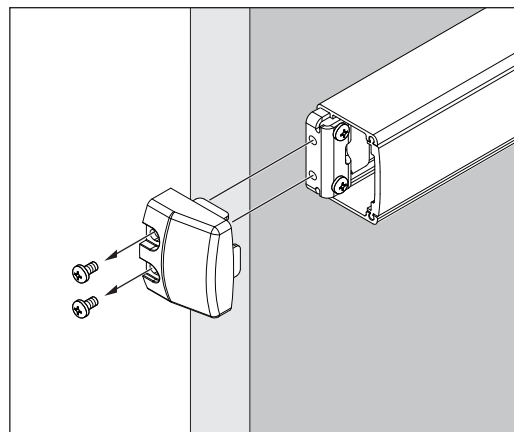


- B. Complete MEL wiring per steps 15-21 of this instruction.
- C. Return to original device instruction at point you left off, and complete installation.

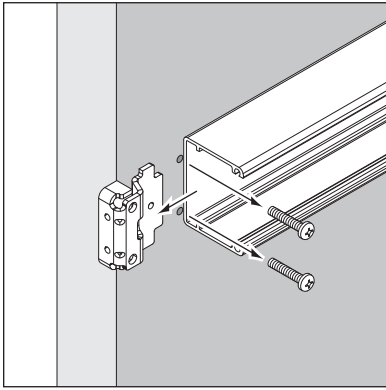


If installing the MEL conversion kit, follow the instruction steps as written.

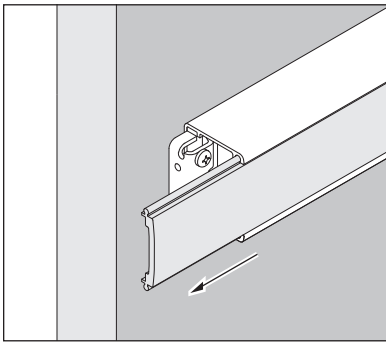
1 Remove end cap



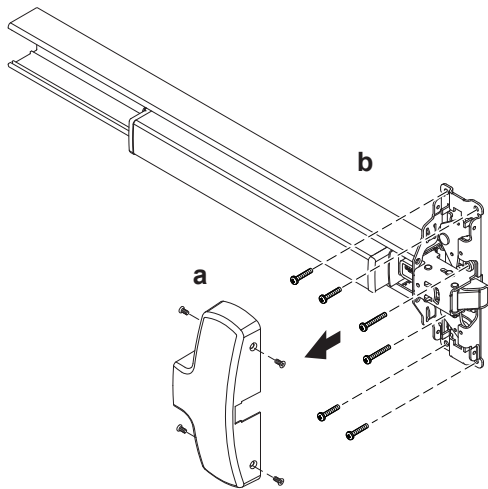
2 Remove device end mounting bracket from door



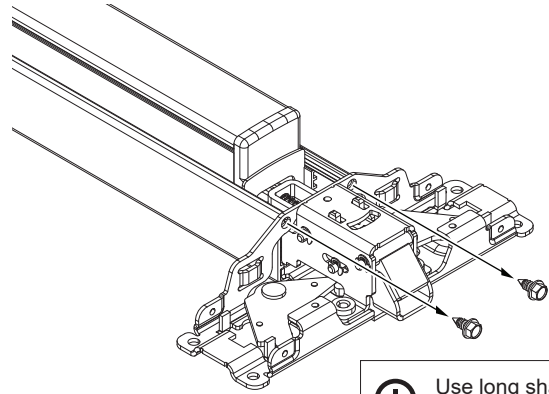
3 Slide back, remove and discard old cover plate



4 Remove center case cover and device from door



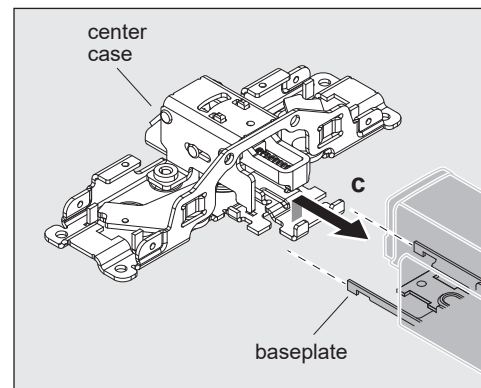
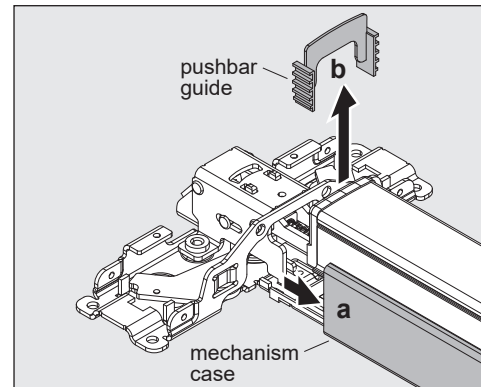
5 With device laying on a table or bench, remove the 2 screws that connect mechanism case to center case



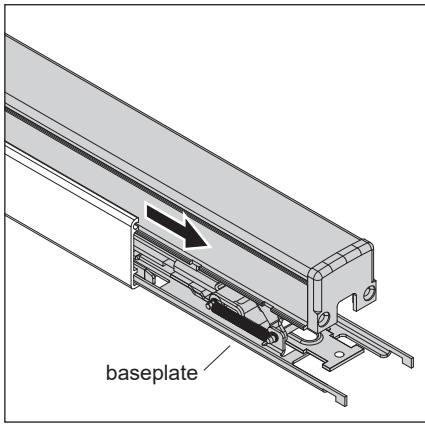
i Use long shank screwdriver.

6 Unhook baseplate from center case

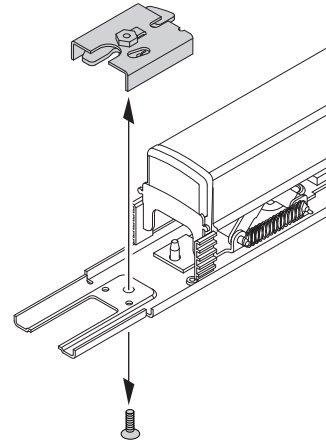
- a. Slide back mechanism case about 2" to access hooking parts.
- b. Push bar guides will come loose and will need to be reinstalled later.
- c. Unhook baseplate from center case.



7 Slide baseplate out of mechanism case

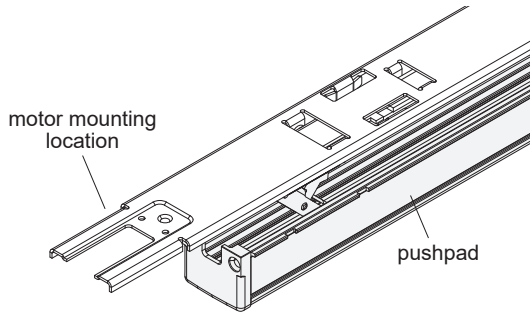


8 Remove any existing dogging assembly

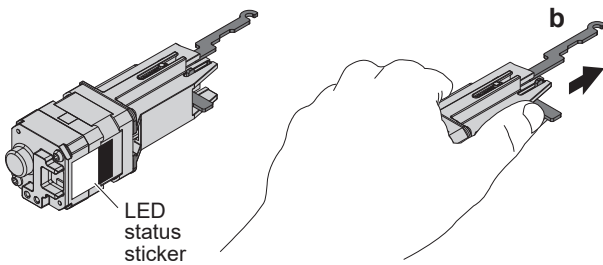


9 Secure motor assembly

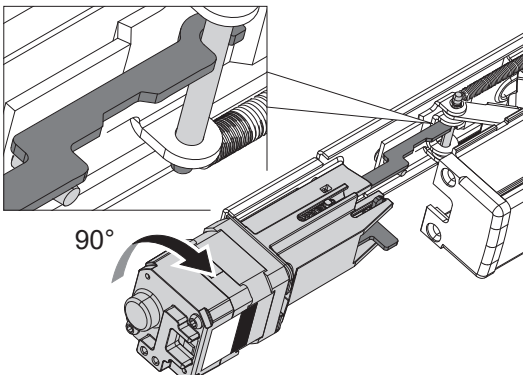
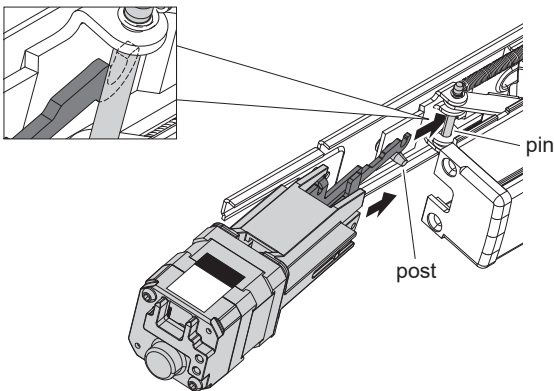
- a. Turn baseplate assembly upside down so pushpad is resting on a flat surface and motor mounting location is on the left.



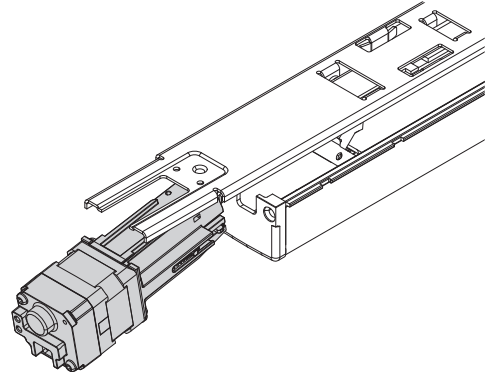
- b. Place motor in left hand with LED status sticker facing toward you. Gently extend silver hook arm outward (about 1/2") until you meet some resistance, then hold.



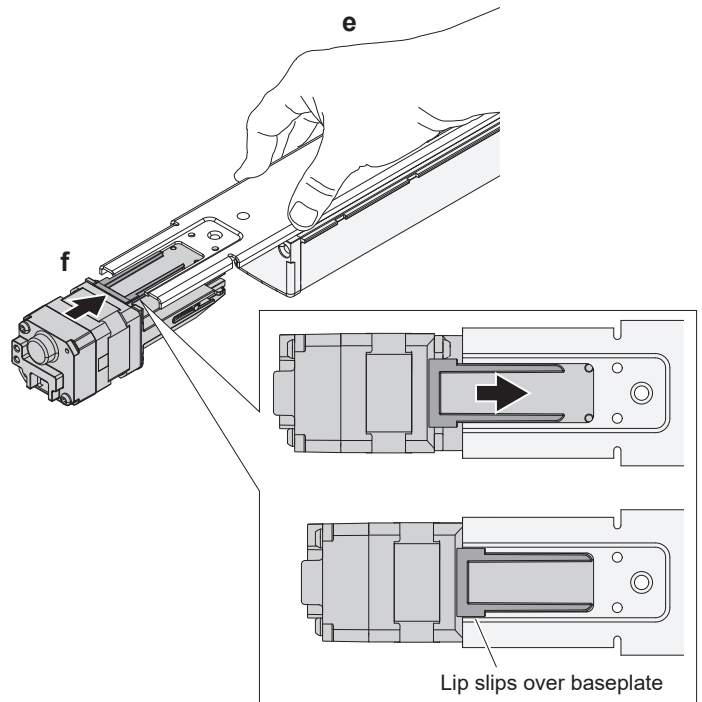
- c. While tilting baseplate assembly away from you slightly, move extended hook arm into position under baseplate. A post will be hanging down from baseplate; the hook arm should sit on the near side of that post. Rotate the motor assembly to hook the arm over the baseplate axle pin that is closest to the baseplate. Do not pull out on motor at this step.



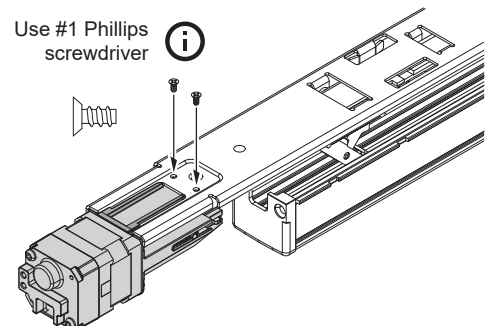
- d. Set motor on flat surface.



- e. Push down firmly on baseplate so it bottoms out against push pad.
- f. While depressing baseplate, lift up motor assembly and guide it along elongated baseplate slot until motor lip slips over baseplate.



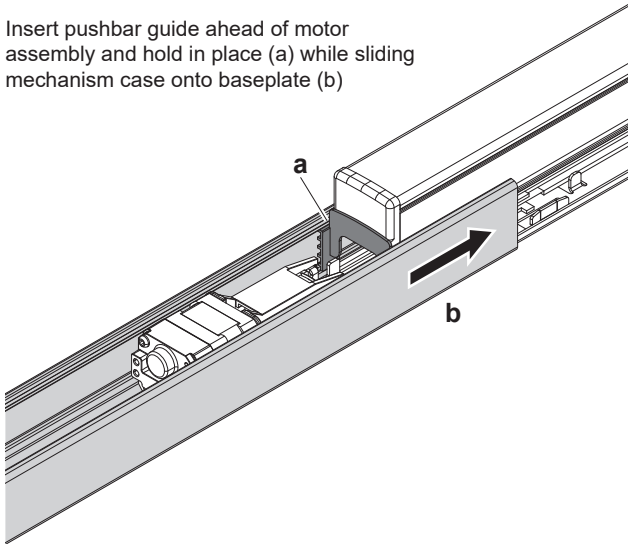
- g. Release baseplate. Secure motor assembly with 2 small self-tapping screws (provided).



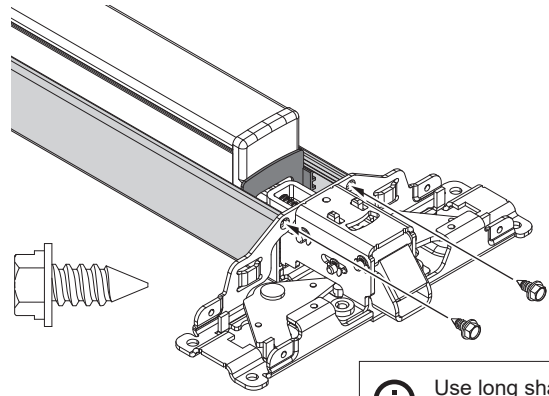
- h. Turn baseplate and motor assembly right side up.

10 Slide mechanism case onto baseplate

Insert pushbar guide ahead of motor assembly and hold in place (a) while sliding mechanism case onto baseplate (b)

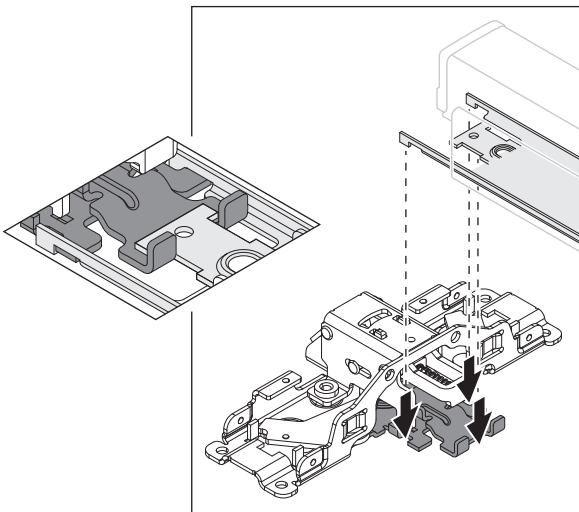


13 Reattach mechanism case to center case

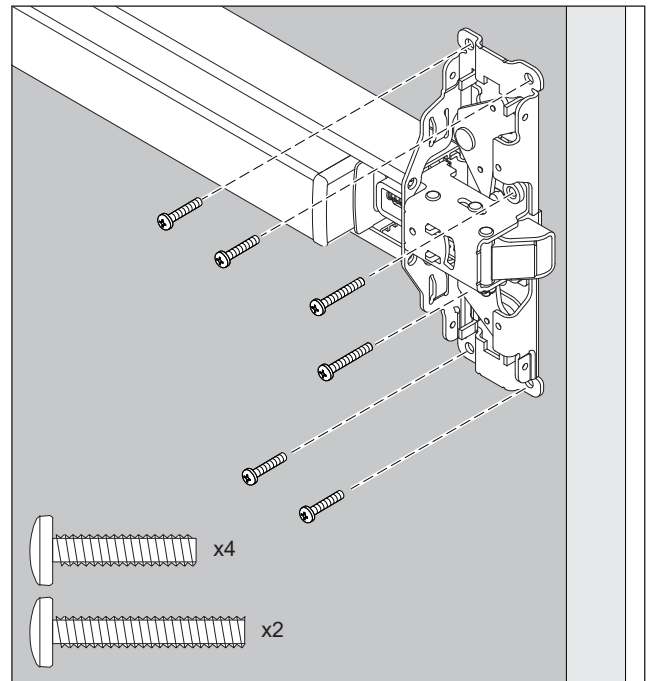


i Use long shank screwdriver.

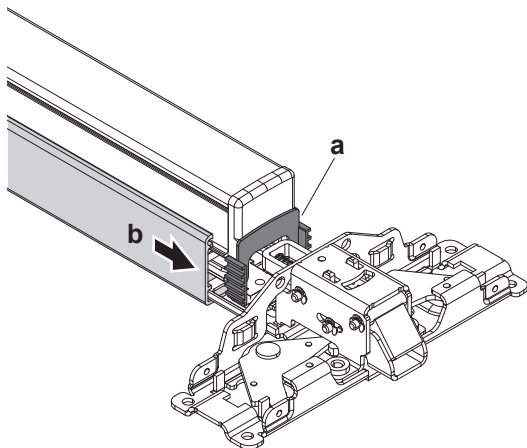
11 Reconnect center case to baseplate via hooking parts



14 Reattach device to door



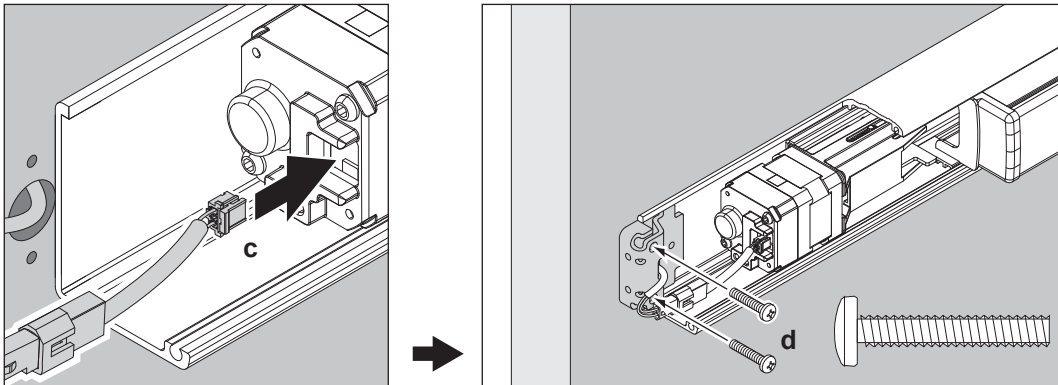
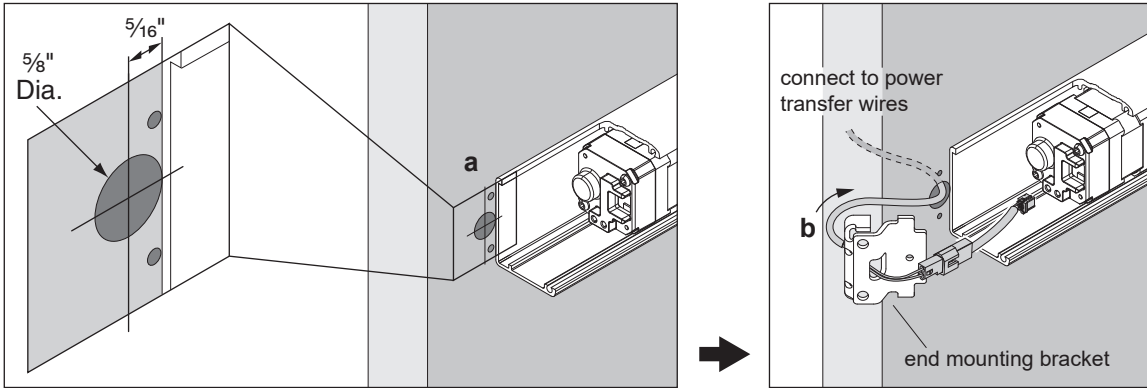
12 Insert remaining pushbar guide (nearest the center case) and slide mechanism case against center case



15 Complete wiring

i If not wiring at this time, **DO NOT DISCARD CABLE!**
 After installing device or conversion kit, if there is room, store the cable inside the mechanism case until the electrical wiring occurs. Otherwise, store the cable in a designated location.

- Drill wire access hole.
- Route furnished 6' MEL two-piece cable thru device end mounting bracket to connect MEL device to power transfer wires.
- Plug cable connector into MEL motor.
- Reinstall end mounting bracket.
- Refer to table below to route proper gauge wires (from electric hinge, EPT, or door loop) to PS900-Series power supply.



PS900-Series power supply with 900-Series option board(s) installed

Distance (one way)	Wire Gauge
200'	18AWG
320'	16AWG
500'	14AWG
800'	12AWG

MEL Electrical Load
 Voltage: 24 VDC
 Current: 1.0 A inrush (0.5 sec)
 0.14 A holding

i Power wires to MEL are not polarized.

e

electric hinge shown (an EPT or door loop may also be used)

MEL exit device

⚠ WARNING

To avoid risk of electric shock, turn off AC power to power supply before installing or wiring option board.

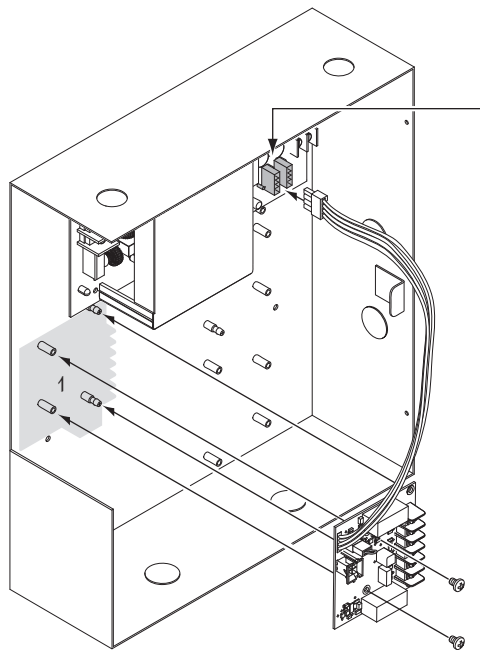
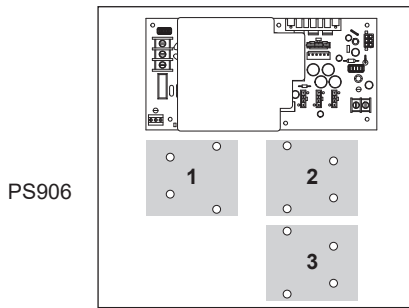
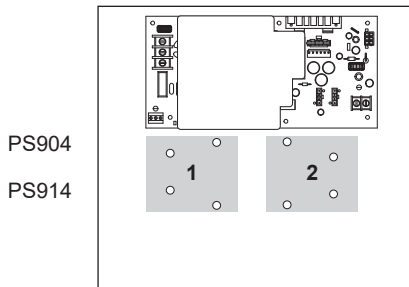
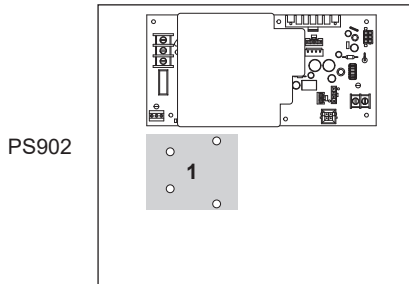
16 Confirm equipment compatibility

MEL is compatible with the following equipment (refer to individual instructions as needed):

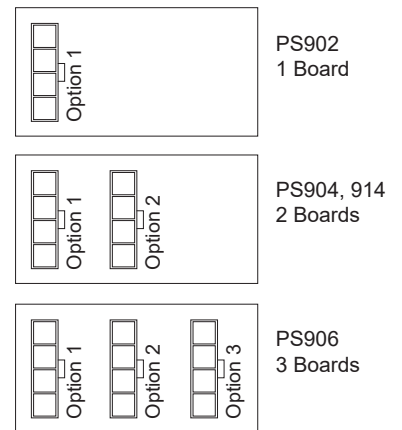
- PS900-Series power supplies - PS902, PS904, PS906, PS914
- 900-Series option boards - 900-2RS, 900-4R, 900-4RL

17 Install 900-2RS, 4R, or 4RL option board(s) into power supply

a Review Available 900 series Option Board Mounting Locations (Gray)



b Plug Option Board Cable into any Available Option Connector



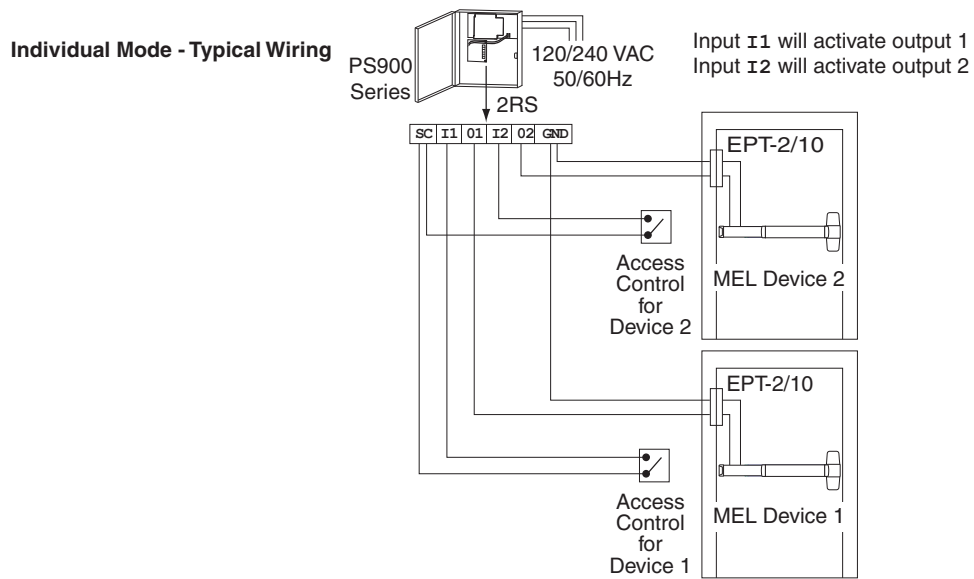
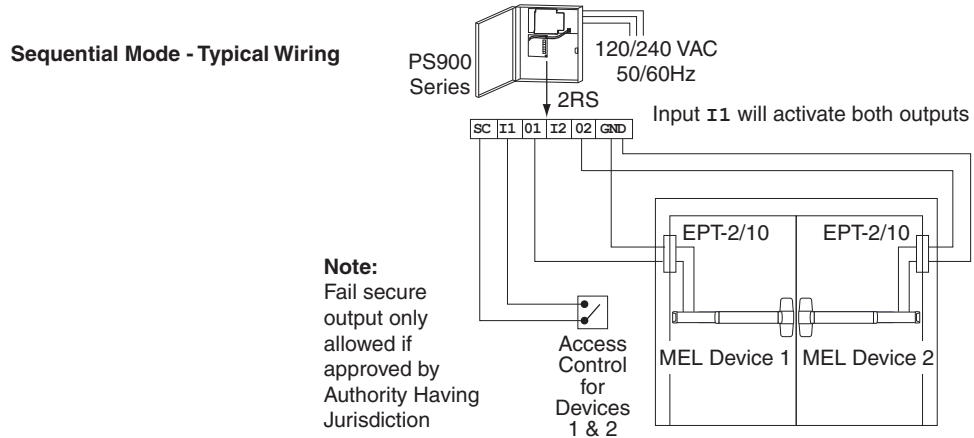
c Secure Board(s) with Screws

⚠ WARNING

Fire alarm (FA) option board required if MEL is installed in fire exit hardware.

- Notes:**
1. 24 VDC output setting required when MEL device connected.
 2. If installing board in location 2 or 3, rotate board 180°.
 3. Latchbolt retraction of (2) sequenced MEL devices requires more than 1 second to complete.
 4. When powering multiple components, verify that the amperage requirements of all components combined does not exceed the power supply output rating.

18 Connect input and output wires to option board (2RS shown)



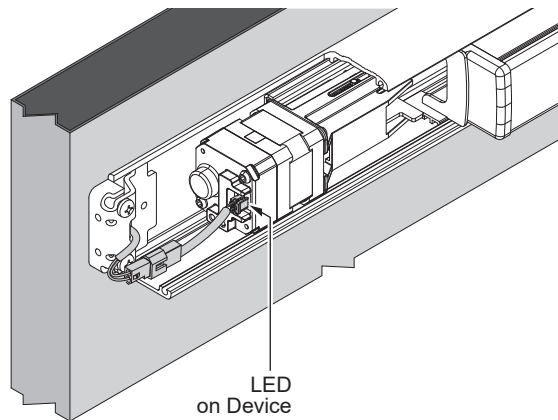
19 Check operation

- a. Activate each input and verify all MEL devices operate properly.
- b. If any device does not operate properly, see next page for troubleshooting.

20 If necessary, troubleshoot operation (LED is only visible with the mechanism case removed)

Power at the MEL	MEL Response	Condition/Solution
24 VDC	LED - solid green Latchbolt - retracted	Operation normal, latch retracted immediately
	LED - solid red after latchbolt attempts to retract multiple times	Latchbolt cannot fully retract mechanically Remove power. Depress pushbar and make sure latchbolt retracts and extends fully. If necessary, disconnect any vertical rods or mortise lock from device center case, and reapply power. If motor holds, mechanical adjustments may be required per the device instructions.*
	LED - flashing green/red Latchbolt - not retracted	Excessive tamper (while power applied, the pushpad was pulled out at least 3 times) Wait 15 seconds and latchbolt will retract again OR remove and reapply power to clear condition.
24 VDC low	LED - flashing green Latchbolt - retracted	Voltage low during latchbolt retraction (latchbolt retracts at reduced force) Wire length is too long, wire gauge is too small, or power supply has poor regulation.
29 VDC or greater	LED- flashing red Latchbolt - will not retract	Input voltage is too high for proper operation Wrong power supply, power supply defective.
13 VDC or lower		Input voltage is too low for proper operation Wrong power supply, power supply defective or not set to the proper output voltage. To set, remove AC power from power supply, change power supply setting from 12 to 24 VDC, then reapply AC power and verify proper operation.
0 VDC	LED - off Latchbolt - not retracted	No input voltage Problem with the power supply, control switch, or wiring.

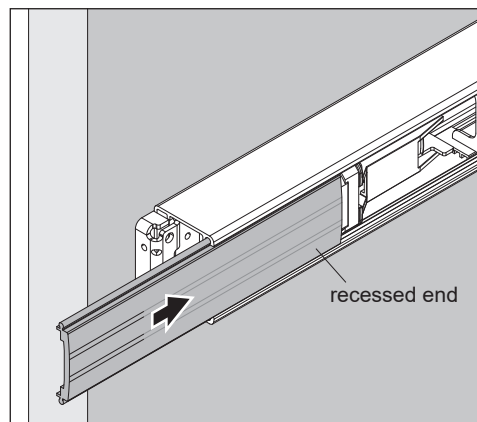
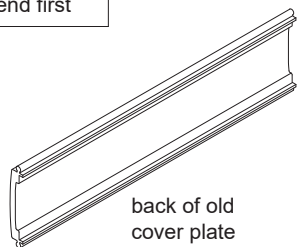
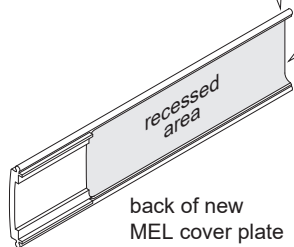
**For information about adjusting exit devices, you can find their installation instructions in the support area at www.allegion.com/us or call Technical Services at 1-877-671-7011*



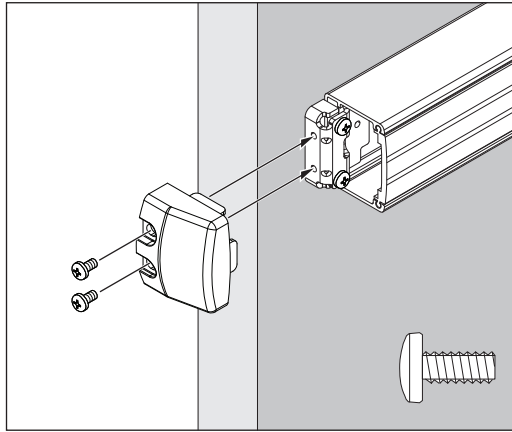
21 Install MEL cover plate

i Do **not** cut from recessed end of cover plate

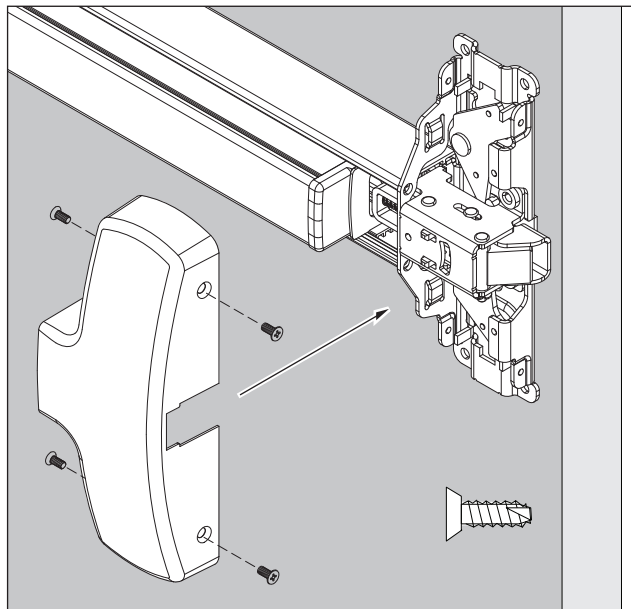
i Install this end first



22 Reinstall end cap



23 Reinstall center case cover

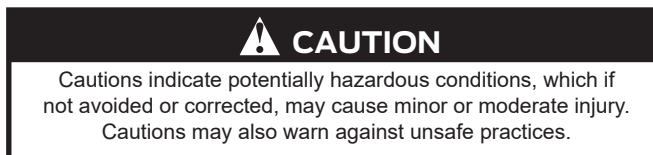


Warnings and Cautions

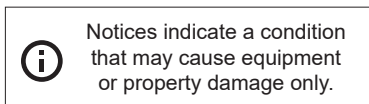
Warnings look like this:



Cautions look like this:



Notices look like this:



Directions look like this:

