



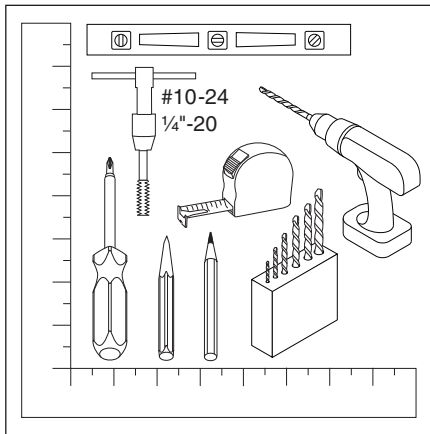
640012-00

# 24-C, F-24-C, & F-24-WDC-90

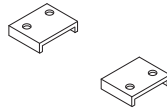
# FALCON®

Concealed Vertical Rod Exit Device  
Dispositivo de salida con varilla vertical oculta  
Appareil de sortie de la tige verticale couverte

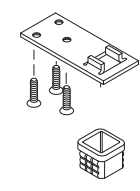
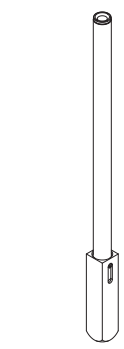
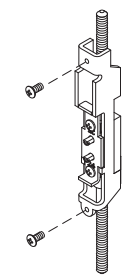
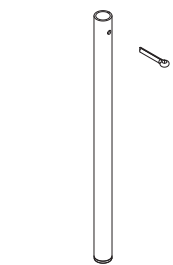
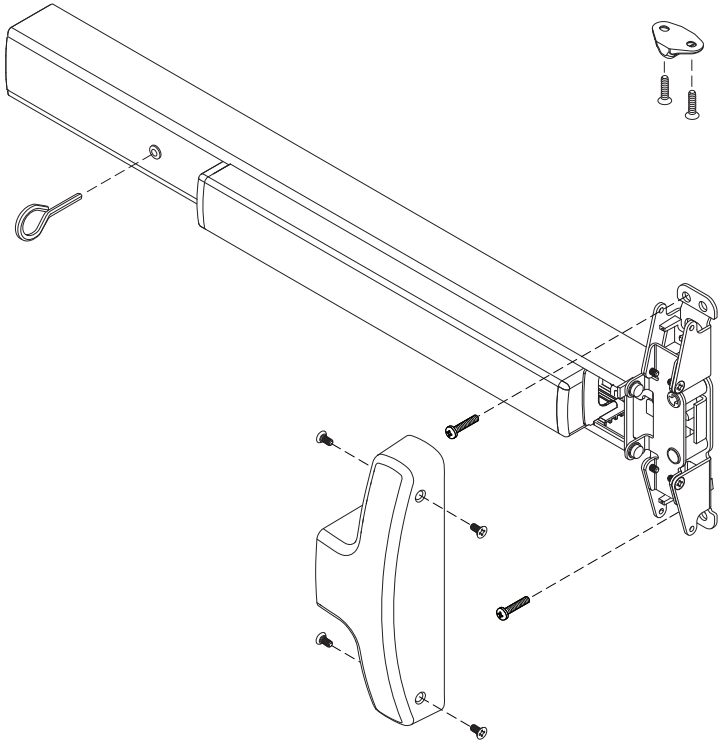
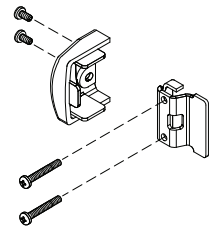
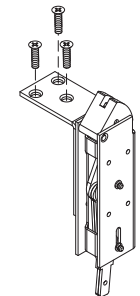
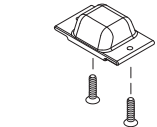
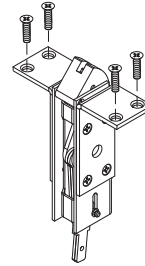
Installation Instructions  
Instrucciones de Instalación  
Notice d'installation



**F-24-WDC-90 Only**  
**Solamente F-24-WDC-90**  
**F-24-WDC-90 Seulement**



**Fire (F) Latch**  
**Seguro Incendio (F)**  
**Verrou Incendie (F)**



**Dogging Key**  
**Llave del trinquete**  
**Œillet vissé**



Use to lock down pushbar  
Utilícela para asegurar hacia abajo la barra de empuje  
Utilisé pour verrouiller la barre antipanique



Customer Service Servicio al cliente Service à la clientèle

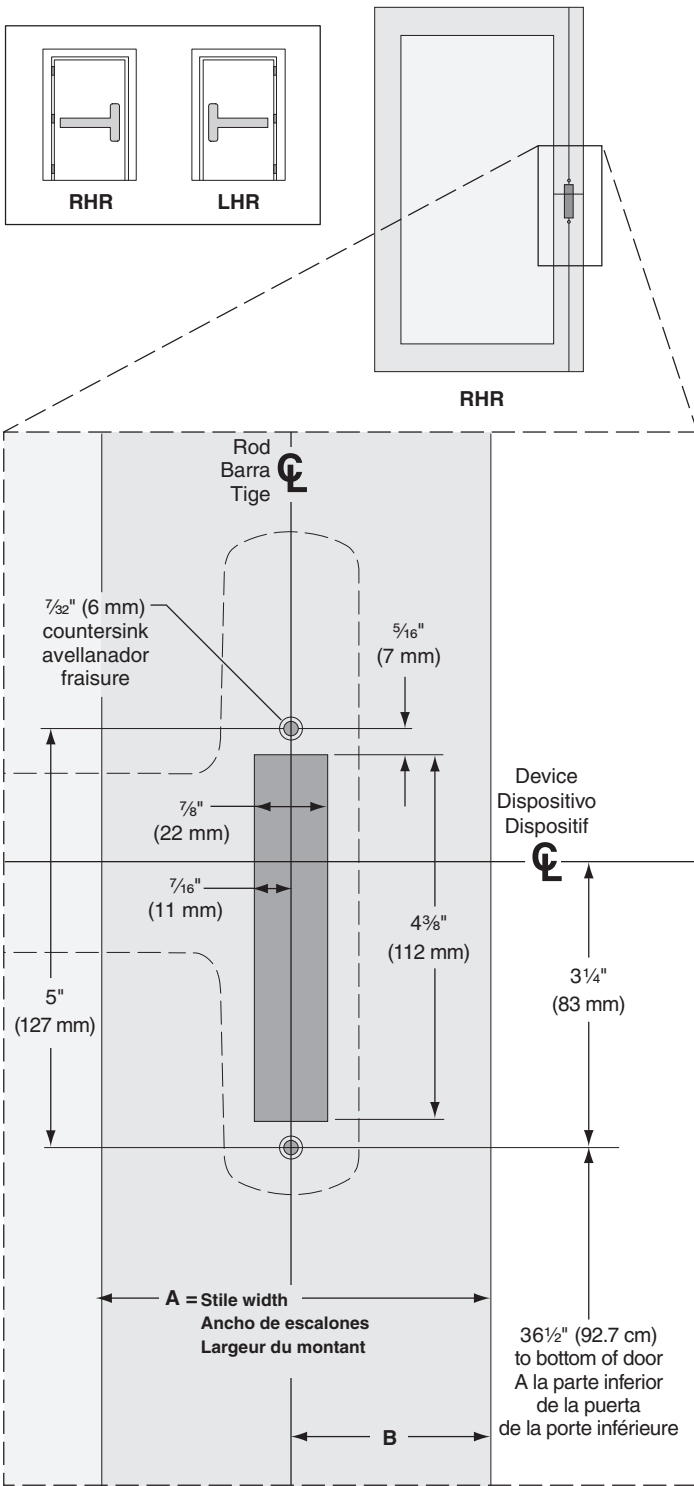
1-877-671-7011

www.allegion.com/us

© Allegion 2019  
Printed in U.S.A.  
640012-00 Rev. 03/19-h

**1**

**Prepare Cutout for Center Slide**  
**Preparar el corte para deslizamiento central**  
**Préparer le découpage du coulisseau central**

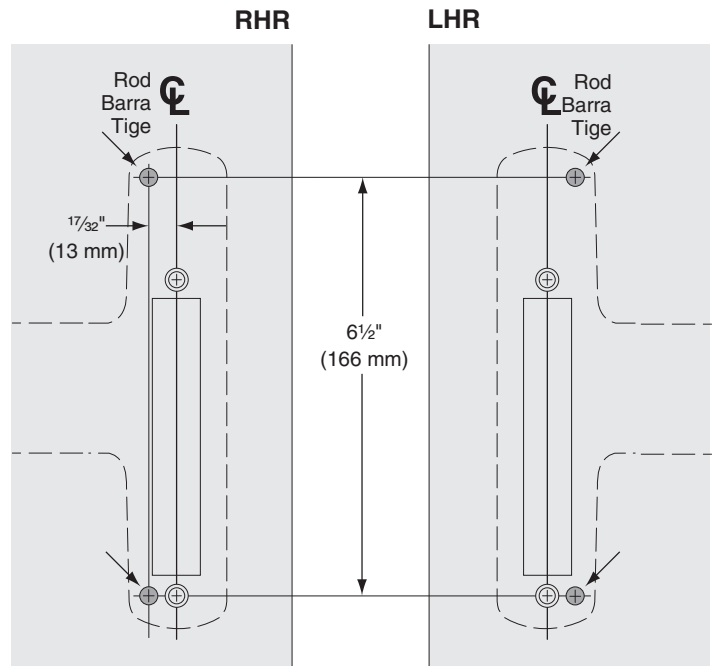


24-C		
Strike	A	B
4188-N.S.	2 1/4" to 2 1/2"	1 1/4"
4188	2 1/2" to 3 1/2"	1 1/2"
4188	3 1/2" to 4 1/2"	2 1/4"
4188	4 1/2" to Flush	3"

F-24-C	
A	B
2 5/8" Min.	2 3/4"

**2**

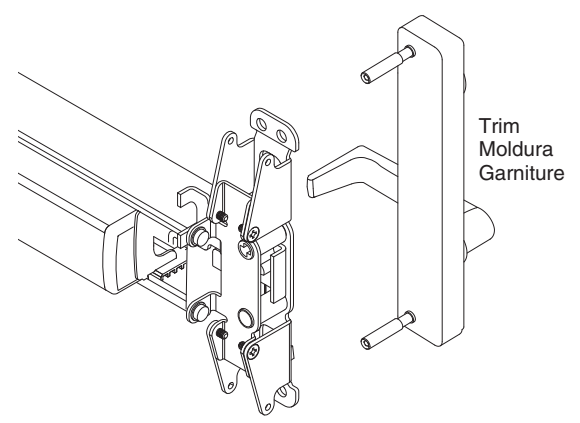
**Prepare 2 Holes**  
**Preparar 2 orificios**  
**Préparer 2 orifices**



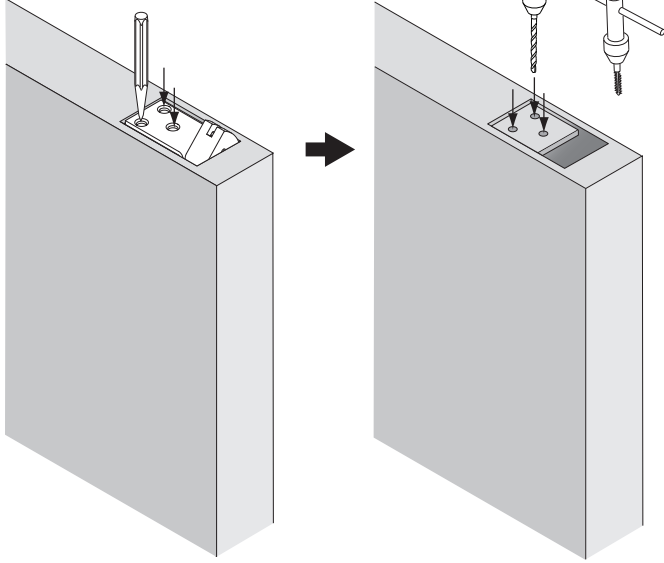
Metal	Metal	Métal	OR	Wood	Madera	Bois
#7			O	1/8" (3 mm) X 1" (25 mm)		
1/4" x #20			OU			

**3**

**If Installing Trim, Go To Trim Instructions**  
**Si instala la moldura, vaya a las instrucciones de moldura**  
**Si installation d'une garniture, voir « Instructions de Garniture »**



**4 Prepare Top Latch Holes**  
**Prepare los orificios del seguro en la parte superior**  
**Préparer les orifices supérieurs du verrou**



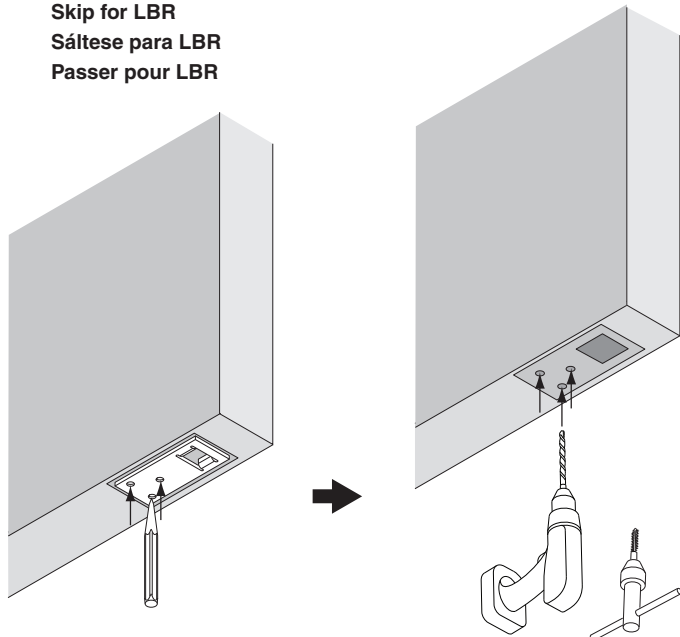
Metal	Metal	Métal
#25		
#10-24		

OR  
O  
OU

Wood	Madera	Bois
1/8" (3 mm) X 1" (25 mm)		

**5 Prepare Bottom Latch Holes**  
**Prepare los orificios del seguro en la parte inferior**  
**Préparer les orifices inférieurs du verrou**

Skip for LBR  
 Sáltese para LBR  
 Passer pour LBR



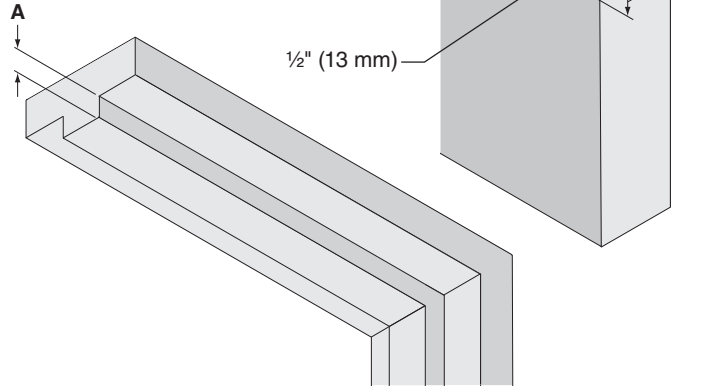
Metal	Metal	Métal
#25		
#10-24		

OR  
O  
OU

Wood	Madera	Bois
1/8" (3 mm) X 1" (25 mm)		

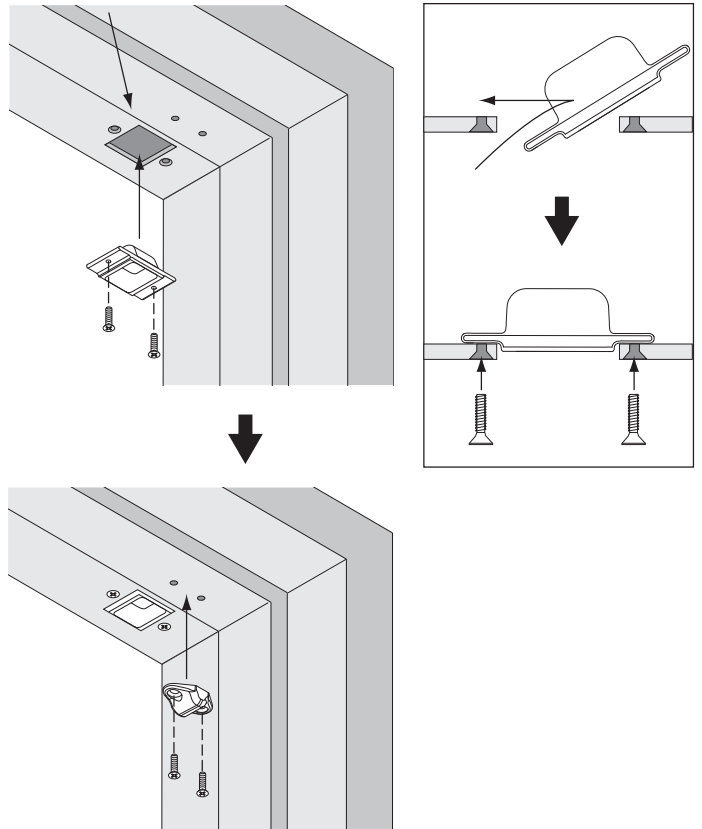
**6 Prepare Hole for Release Bracket**  
**Prepare orificio para la ménsula de liberación**  
**Préparer l'orifice pour le support de dégagement**

A	B
1/2" (13 mm)	5/8" (16 mm)
5/8" (16 mm)	3/4" (19 mm)
3/4" (19 mm)	7/8" (22 mm)



**7 Install Top Strike & Release Bracket**  
**Instale el cerrojo en la parte superior y libere la ménsula**  
**Installer la gâche supérieure et le support de dégagement**

See "Door Frame Preparation" on Page 7  
 Consultar "Preparación del Marco de la Puerta" en la página 7  
 Voir « Préparation du Cadre de porte » à la page 7



**8**

**Prepare Top Rod Length**

**Preparar la longitud de la barra en la parte superior**  
**Préparer la longueur de la tige supérieure**

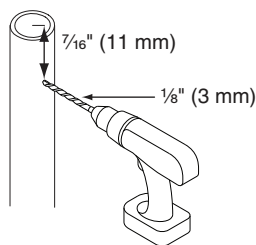
Height Altura Hauteur	*Rod Cut Required *La barra Requiere Corte *Coupe de Tige Nécessaire	Extension Required Extensión que se Requiere Longueur Nécessaire
6' 8"	4"	—
7' 0"	—	—
7' 2"	10"	1'
7' 6"	6"	1'
7' 10"	2"	1'
8' 0"	—	1'
8' 6"	6"	2'
8' 10"	2"	2'
9' 0"	—	2'
9' 6"	6"	3'
9' 10"	2"	3'
10' 0"	—	3'

\*Do not cut threaded end of top rod  
 \*No Cortar el extremo roscado de la barra superior  
 \*Ne pas couper l'embout fileté de la tige supérieure

**9**

**Drill New Hole, if Necessary**

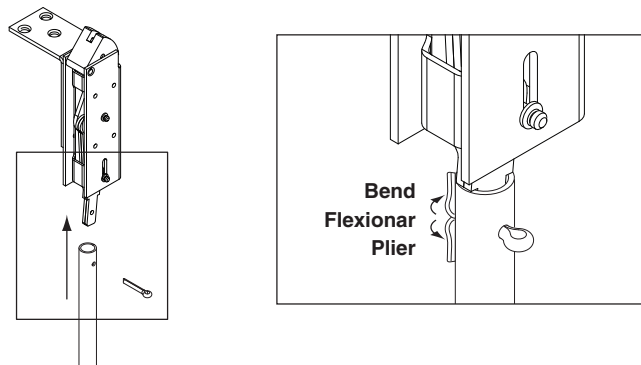
**Perforar un orificio nuevo, si es necesario**  
**Percer un nouvel orifice si nécessaire**



**10**

**Attach Top Rod to Latch**

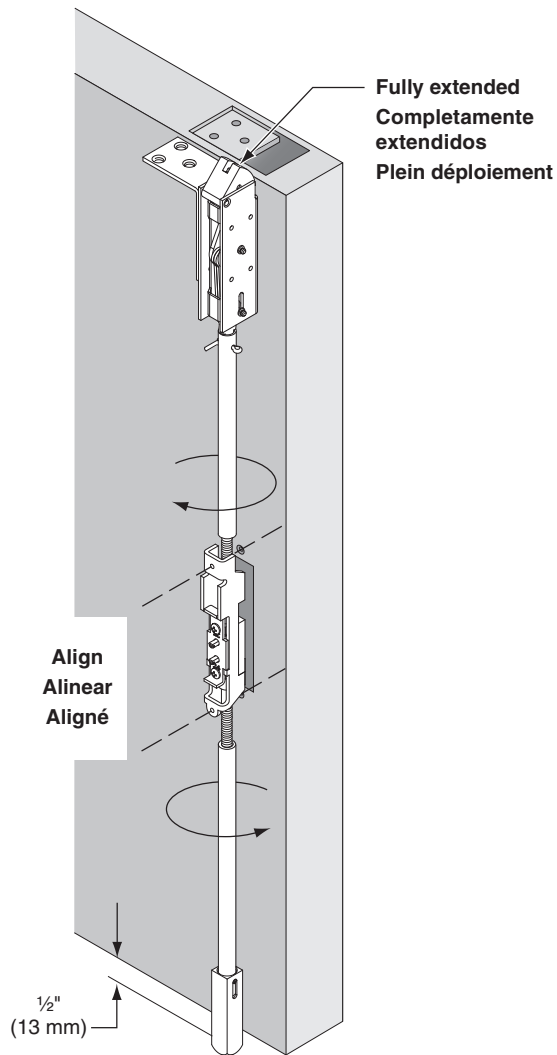
**Fijar la barra superior al seguro**  
**Fixer la tige supérieure au verrou**



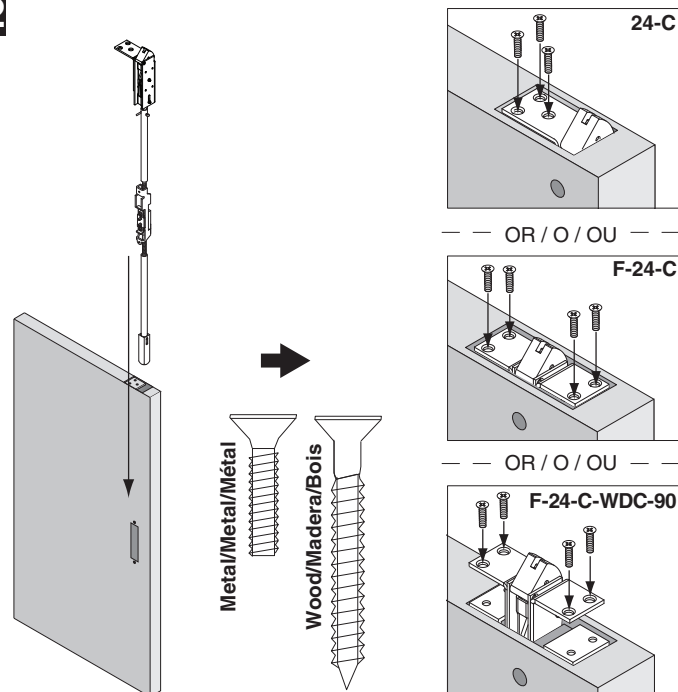
**11**

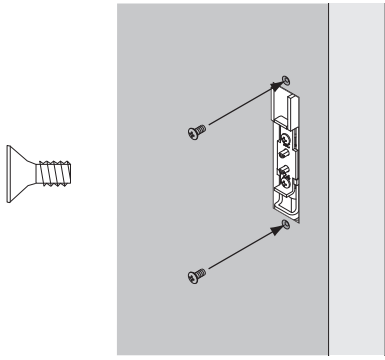
**Assemble Rods & Latches**

**Ensamble barras y seguros**  
**Assembler les tiges et verrous**



**12**

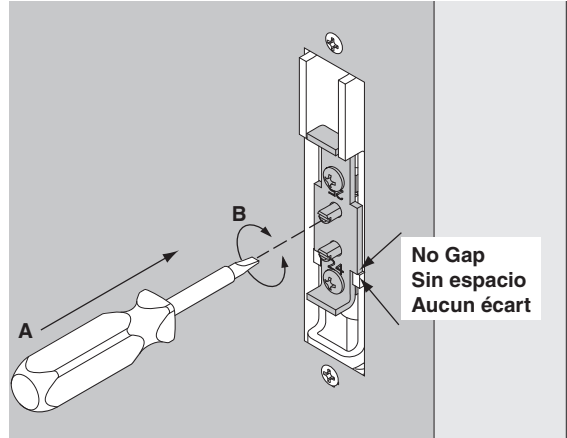
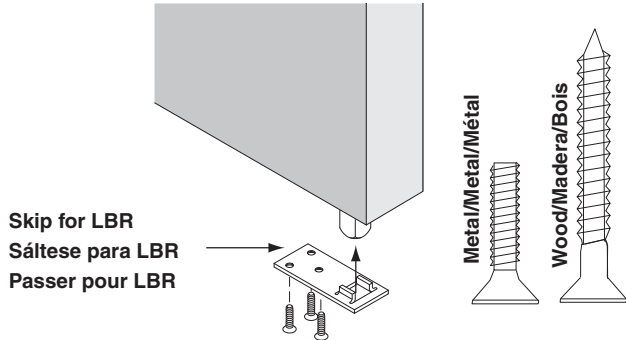


**13****16**

**Attach Door to Frame**  
**Fijar la puerta al marco**  
**Fixer la porte au cadre**

**17**

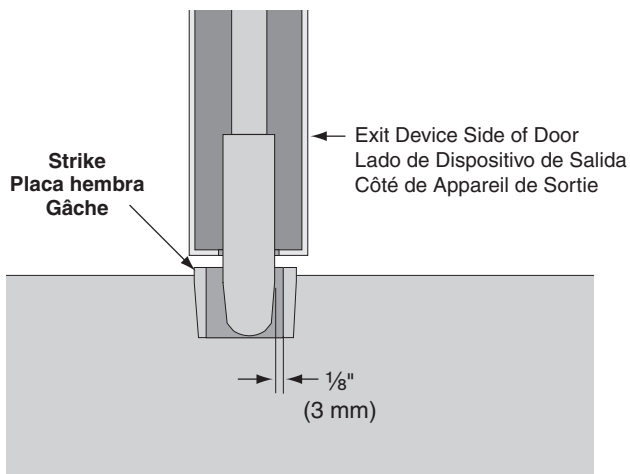
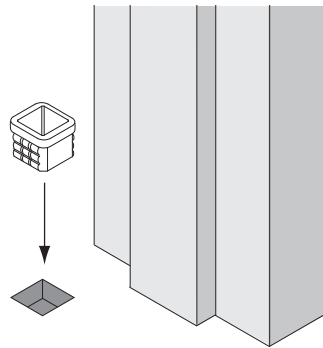
**Adjust Center Slide with Latch Fully Extended**  
**Ajustar el cerrojo central con el seguro extendido totalmente**  
**Ajuster le coulisseau central en déployant complètement le verrou**

**14****15**

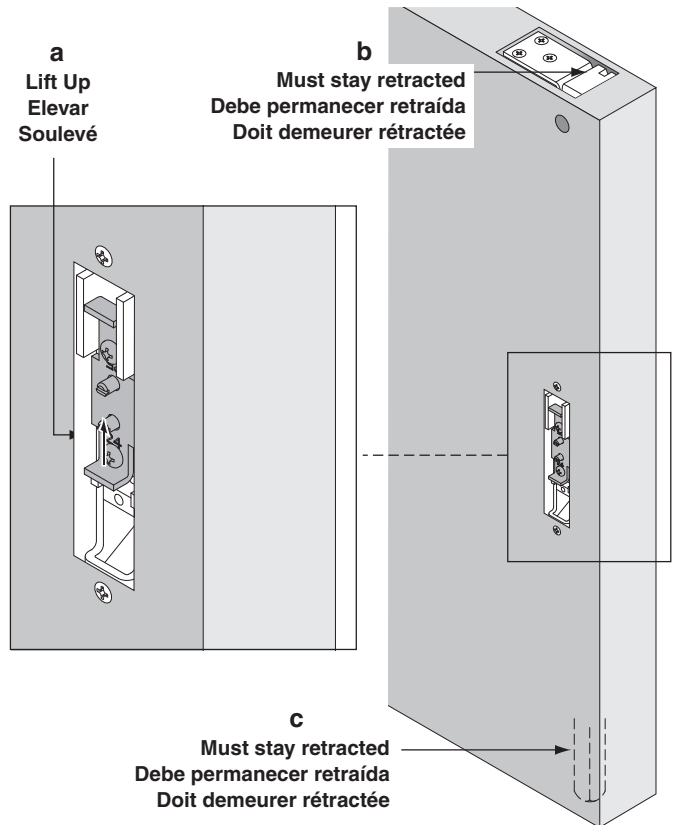
**Grout Strike Into Floor**  
**Aplique mezcla para juntas para colocar la cerradura en el piso**  
**Encavure du plancher pour gâche**

Skip for LBR  
 Sáltese para LBR  
 Passer pour LBR

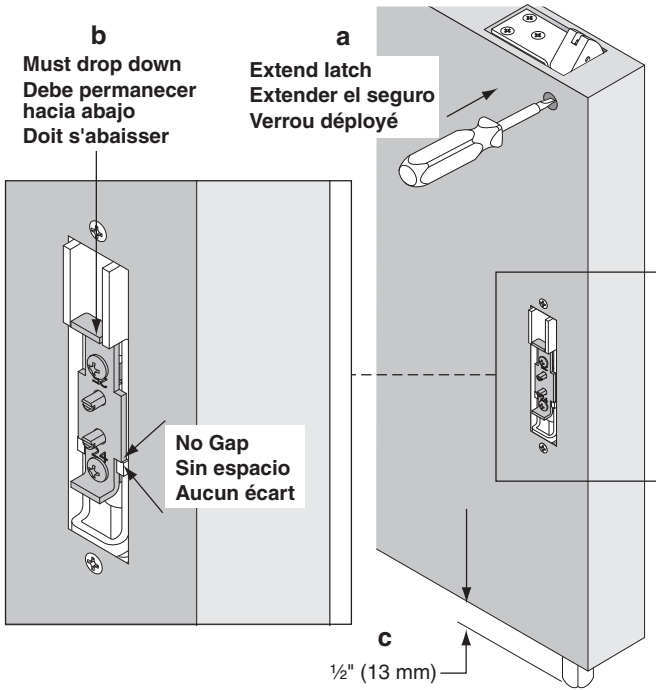
See "Bottom Strike Preparation" on page 8  
 Consulte "Preparación de Cerrojo en la Parte Inferior de la Puerta" en la Página 8  
 Voir « Préparation de la Gâche de Porte » à la Page 8

**18**

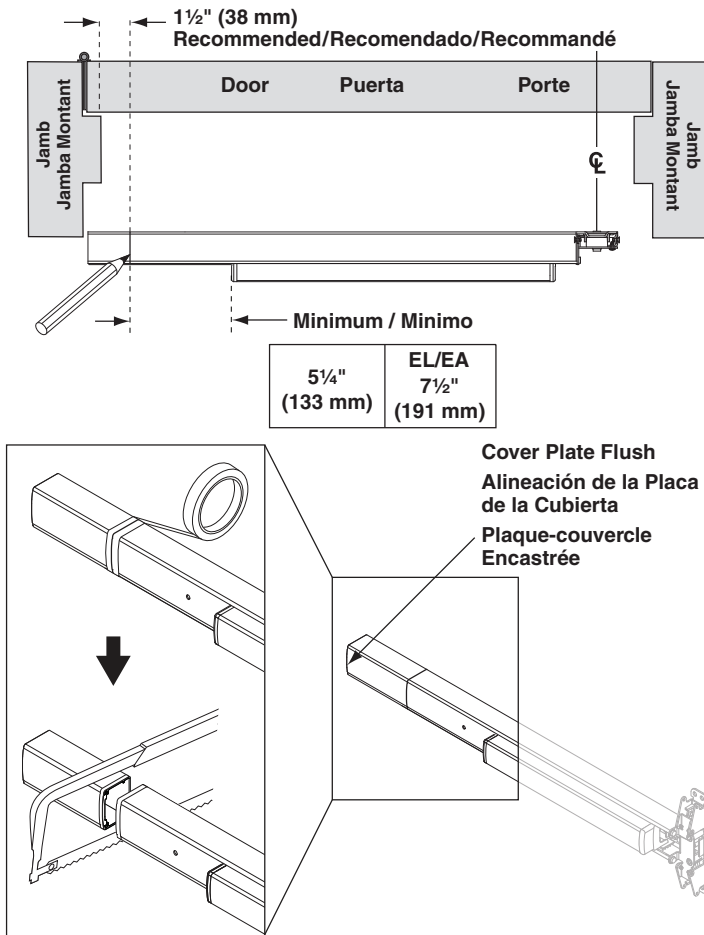
**Verify Latch Retraction**  
**Verificar la retracción del seguro**  
**Vérifier la rétraction du verrou**



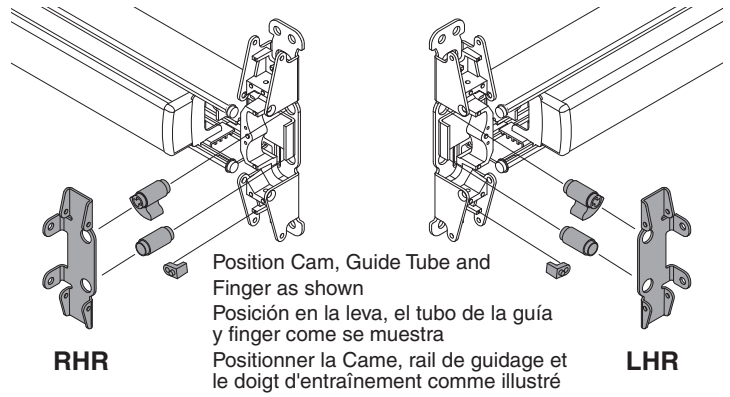
**19** Verify full latch extension  
 Verificar la Extensión Total del Seguro  
 Vérifier le Déploiement Complet du Verrou



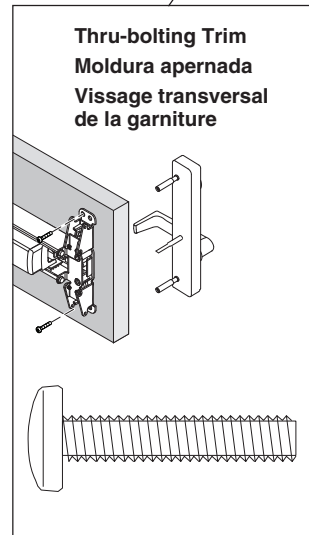
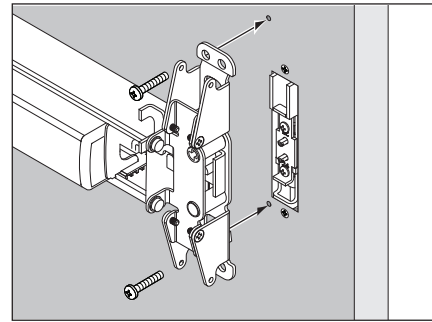
**20** If Necessary, Cut Device  
 Si Necesario, Corte la Aparato  
 Si Nécessaire, Couper le l'Appareil



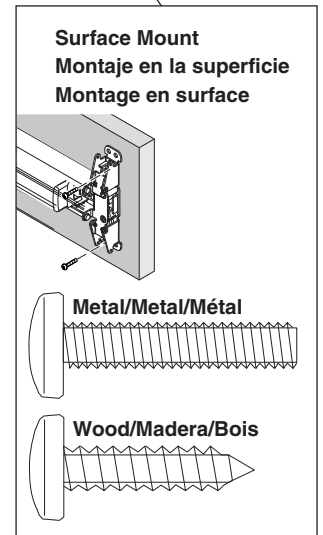
**21** If Necessary, Reverse Handing  
 Si es necesario, invierta el manejo  
 Inverser l'assemblage si nécessaire



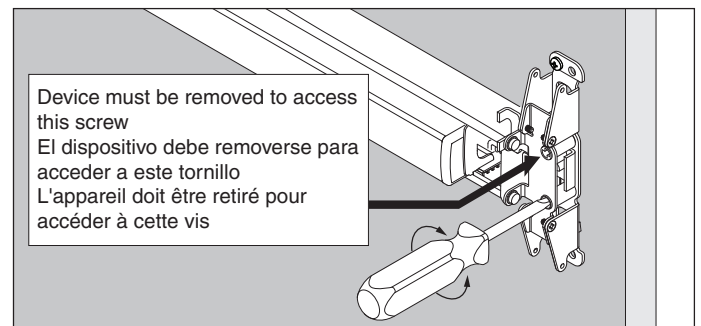
**22**



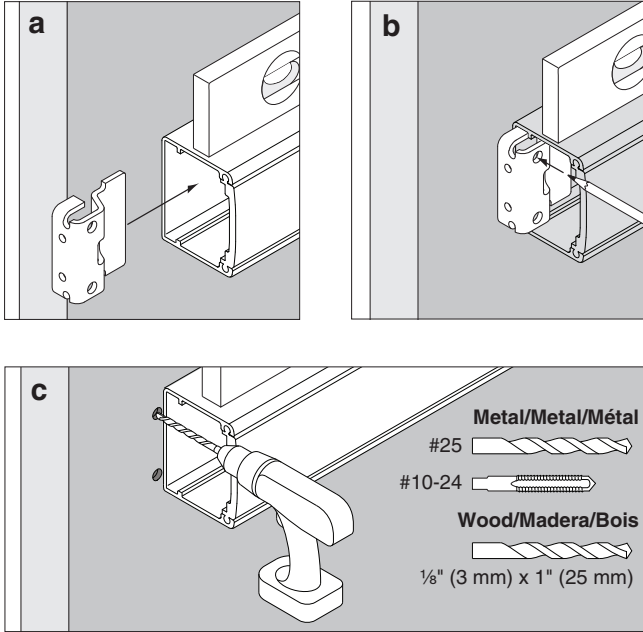
OR  
 O  
 OU



**23** If Necessary, Adjust per Steps 18 & 19  
 Si es necesario, ajuste conforme a los pasos 18 y 19  
 Ajuster selon les étapes 18 et 19 sin nécessaire

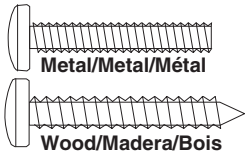
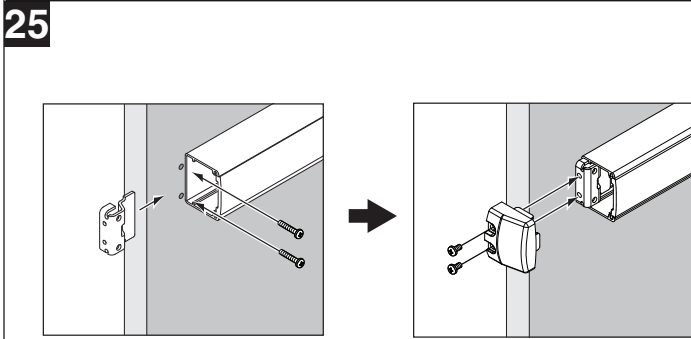
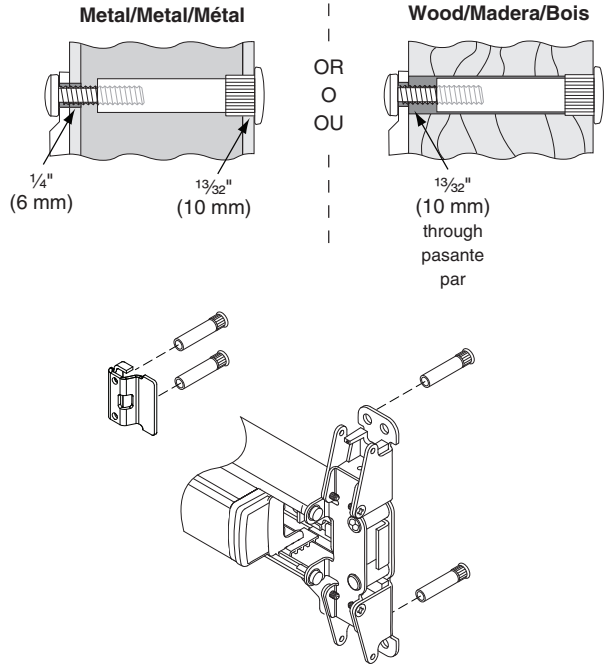


**24** Mark and Prepare 2 Holes  
 Marcar y Preparar 2 Orificios  
 Marquer et Préparer 2 Orifices

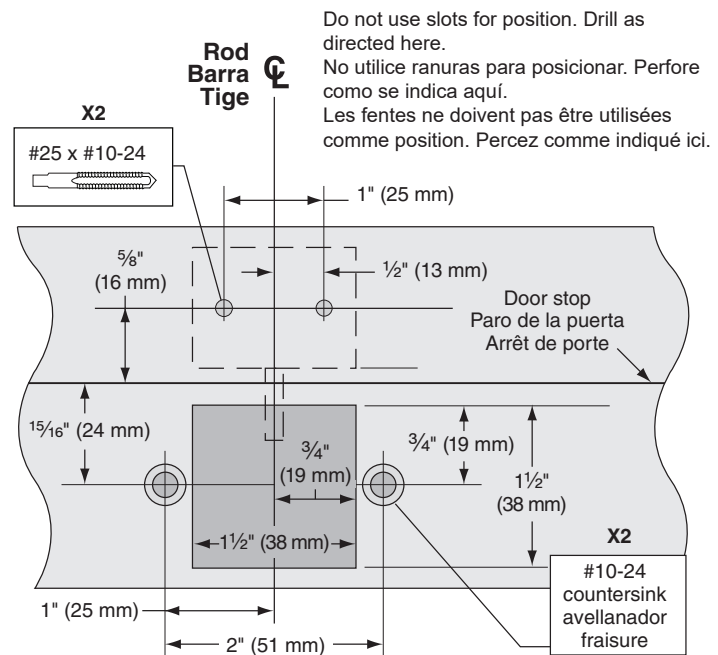
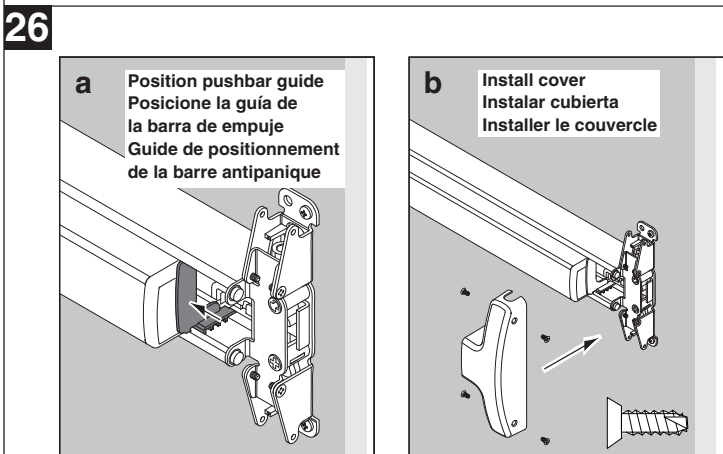


**Sexbolt**      **Perno macho-hembra**      **Colonnette**  
**Preparation**      **Preparación**      **Préparation**

**!** If sexbolts are in box, during steps 2 and 24 prepare holes and install them as shown below.  
 Si los pernos macho-hembra se encuentran en la caja durante los pasos 2 y 24 prepare los orificios e instáloslos como se muestra a continuación.  
 Si les colonnettes sont dans la boîte lors des étapes 2 et 24, préparer les orifices et installez-les comme illustré ci-dessous.



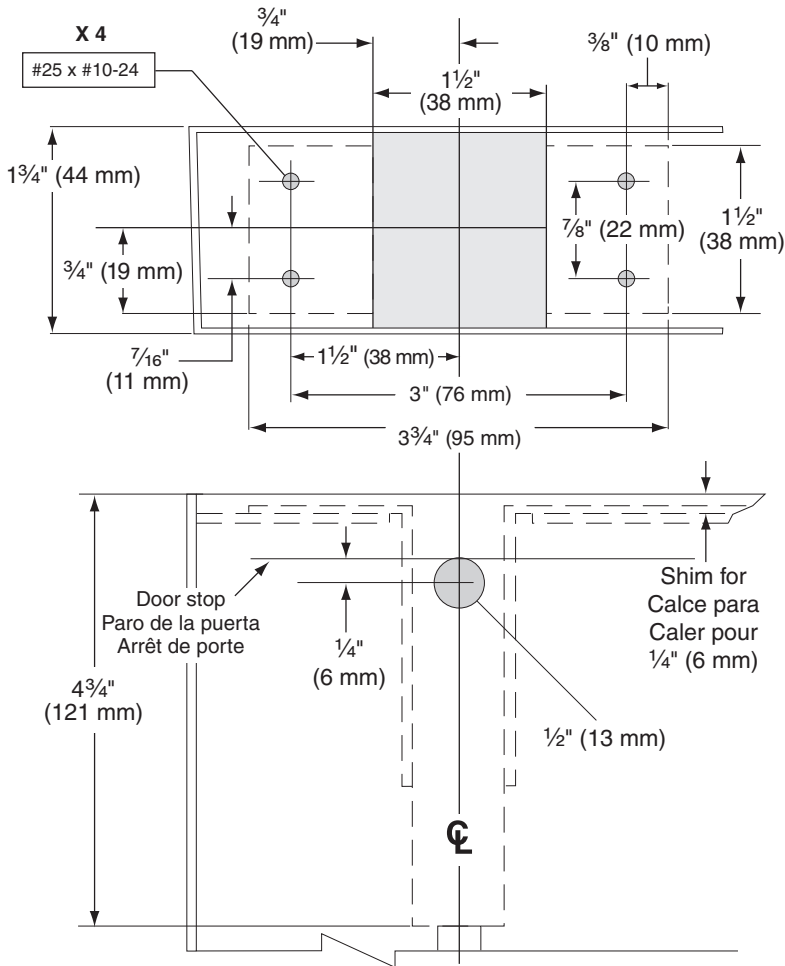
**Door Frame Preparation**  
**Preparación del Marco de la Puerta**  
**Préparation du Cadre de Porte**



**Top Latch (Fire)**

**Seguro en la parte superior (Incendio)**

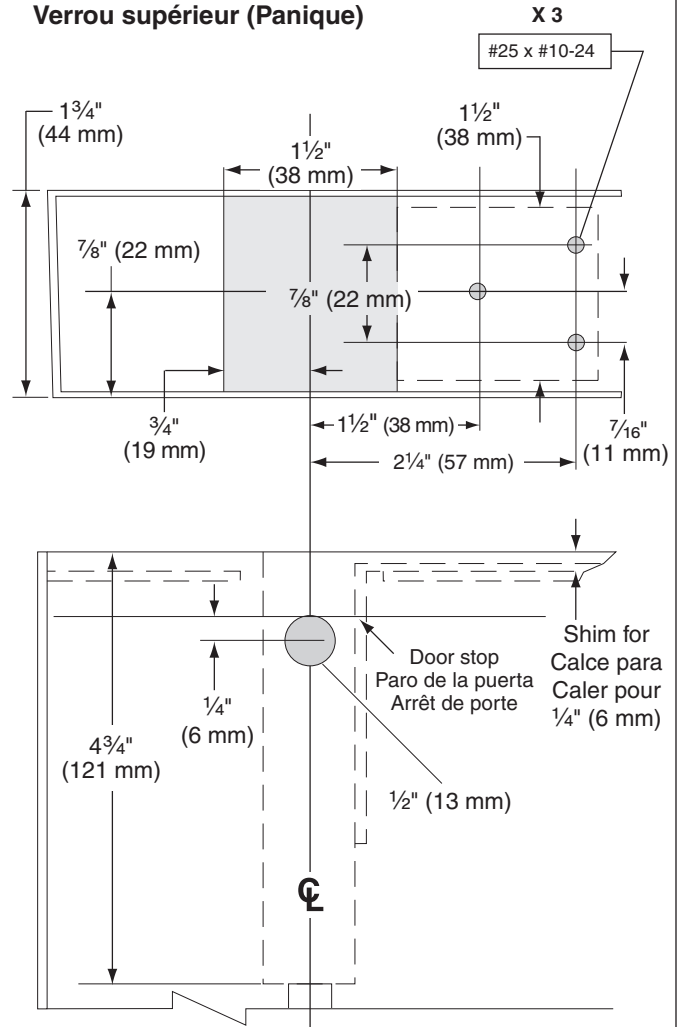
**Verrou supérieur (Incendie)**



**Top Latch (Panic)**

**Seguro en la parte superior (Pánico)**

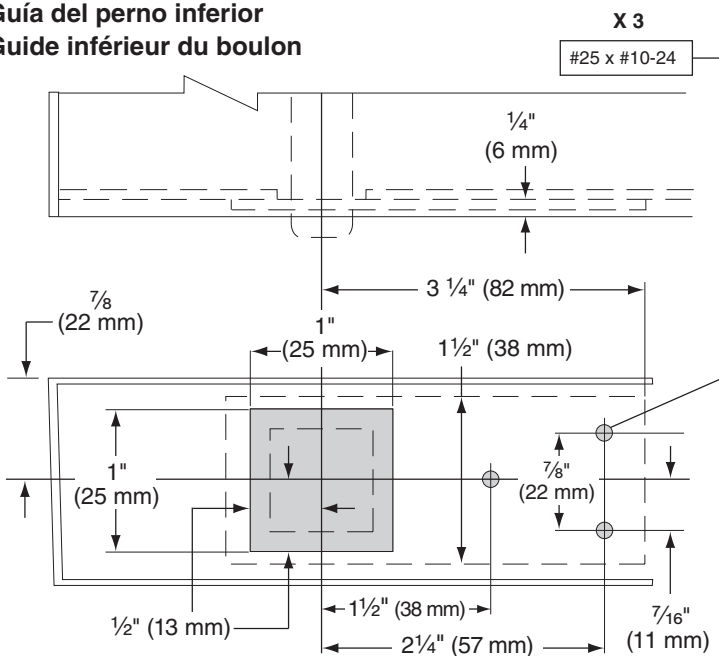
**Verrou supérieur (Panique)**



**Bottom Bolt Guide**

**Guía del perno inferior**

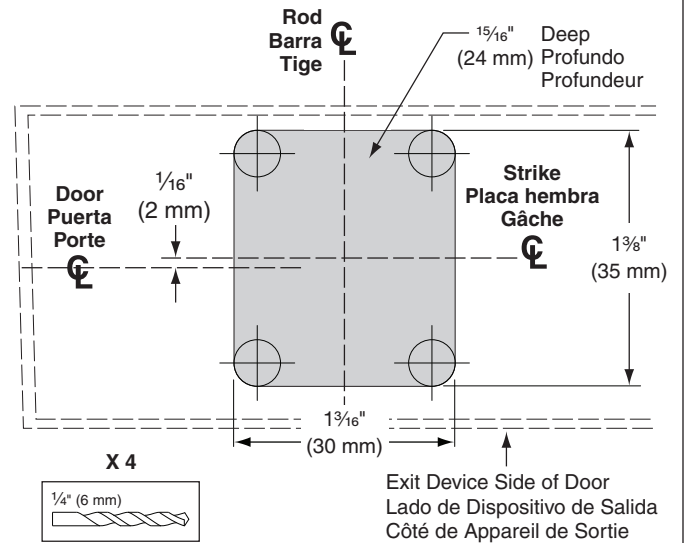
**Guide inférieur du boulon**



**Bottom Strike Floor Cavity**

**Cavidad del suelo del cerrojo inferior**

**Encoche de plancher inférieure pour gâche**







941367-00

# MEL 24/25 Series

# FALCON®

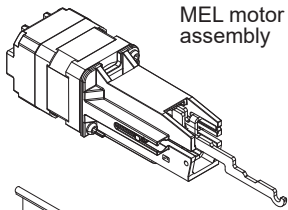
Motorized Electric Latch Retraction

Installation Instructions



**These instructions are for MEL conversion kits or MEL devices with preinstalled motors.**

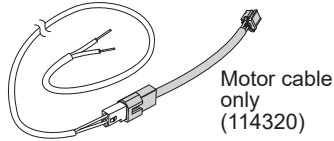
## Parts



MEL motor assembly

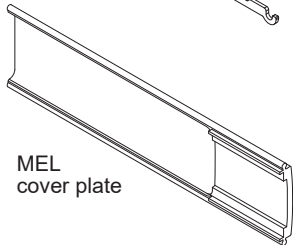


**Do not discard**



Motor cable only (114320)

MEL 6' cable with motor cable (47269206)



MEL cover plate



MEL motor mounting 4-20 x 1/4" FHP screws (qty 2)

### Allegion Connect accessories available to order

106198 MEL-CON adapter cable with 8-pin connector

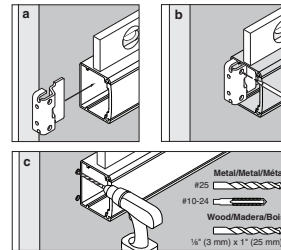
040069 MEL motor cable + MEL-CON adapter cable with 8-pin connector



**If MEL is preinstalled in the device:**

- A. Follow original device instruction up to the point where this end mounting bracket step has been completed.

### Mark and Prepare 2 Holes

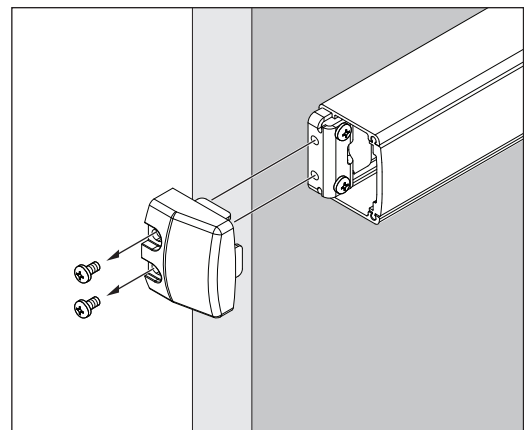


- B. Complete MEL wiring per steps 15-21 of this instruction.
- C. Return to original device instruction at point you left off, and complete installation.

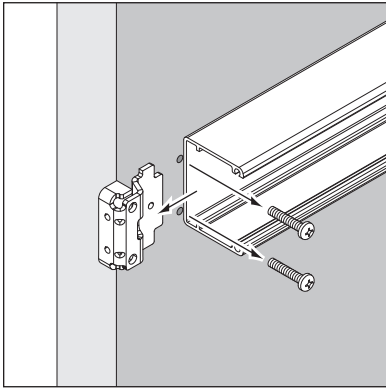


**If installing the MEL conversion kit, follow the instruction steps as written.**

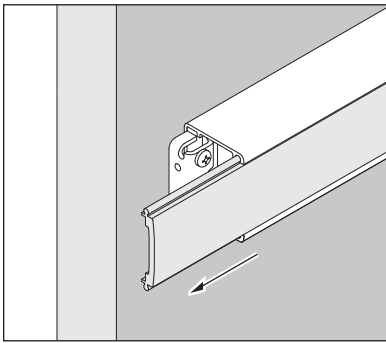
## 1 Remove end cap



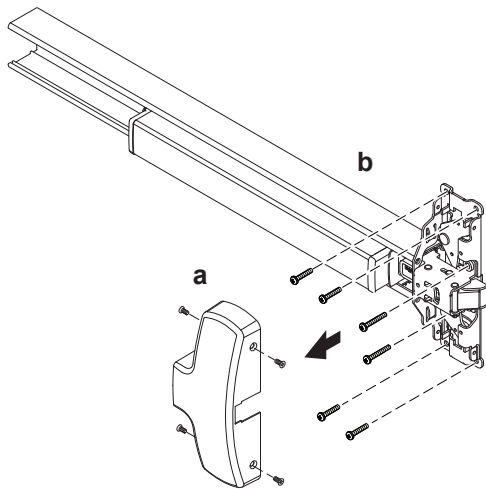
**2** Remove device end mounting bracket from door



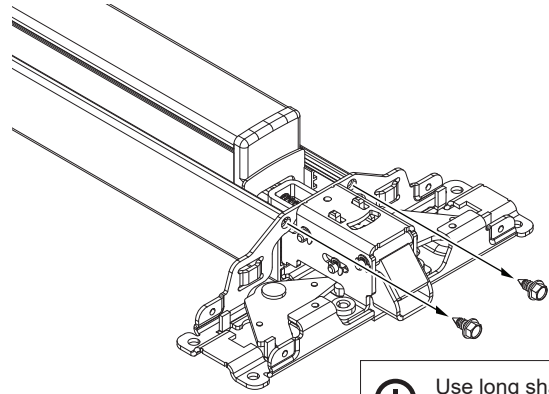
**3** Slide back, remove and discard old cover plate



**4** Remove center case cover and device from door



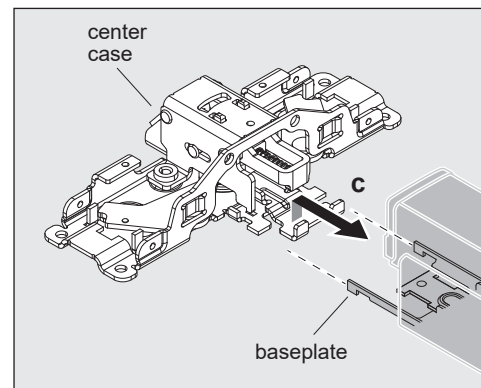
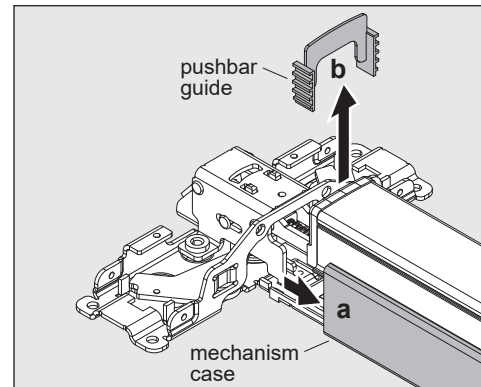
**5** With device laying on a table or bench, remove the 2 screws that connect mechanism case to center case



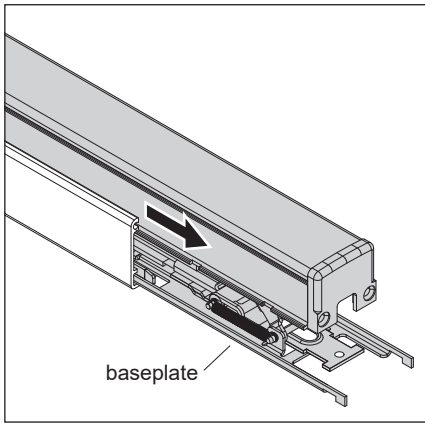
**i** Use long shank screwdriver.

**6** Unhook baseplate from center case

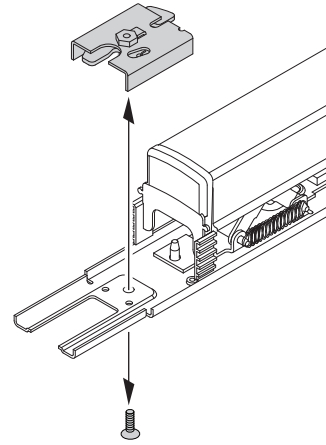
- a. Slide back mechanism case about 2" to access hooking parts.
- b. Push bar guides will come loose and will need to be reinstalled later.
- c. Unhook baseplate from center case.



**7** Slide baseplate out of mechanism case

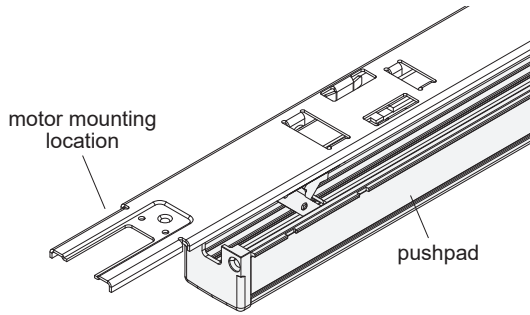


**8** Remove any existing dogging assembly

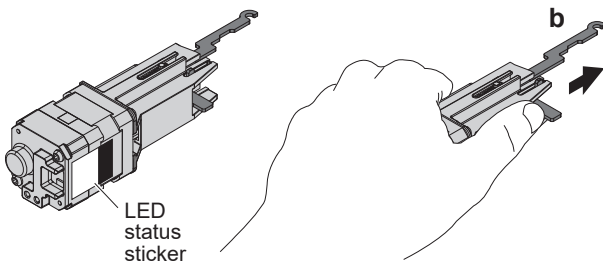


## 9 Secure motor assembly

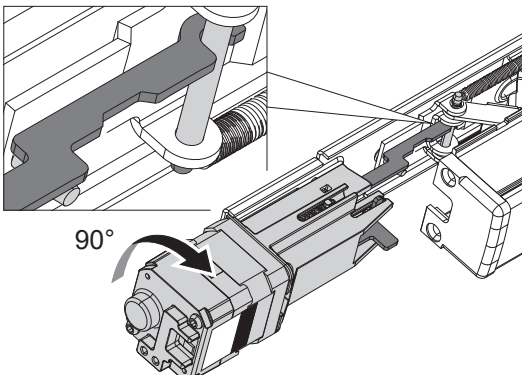
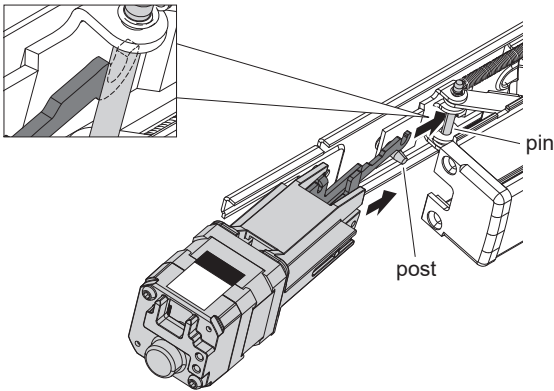
- a. Turn baseplate assembly upside down so pushpad is resting on a flat surface and motor mounting location is on the left.



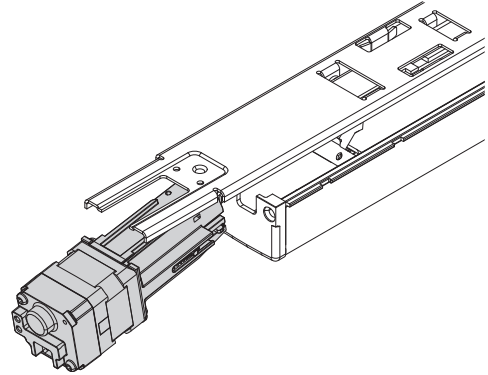
- b. Place motor in left hand with LED status sticker facing toward you. Gently extend silver hook arm outward (about 1/2") until you meet some resistance, then hold.



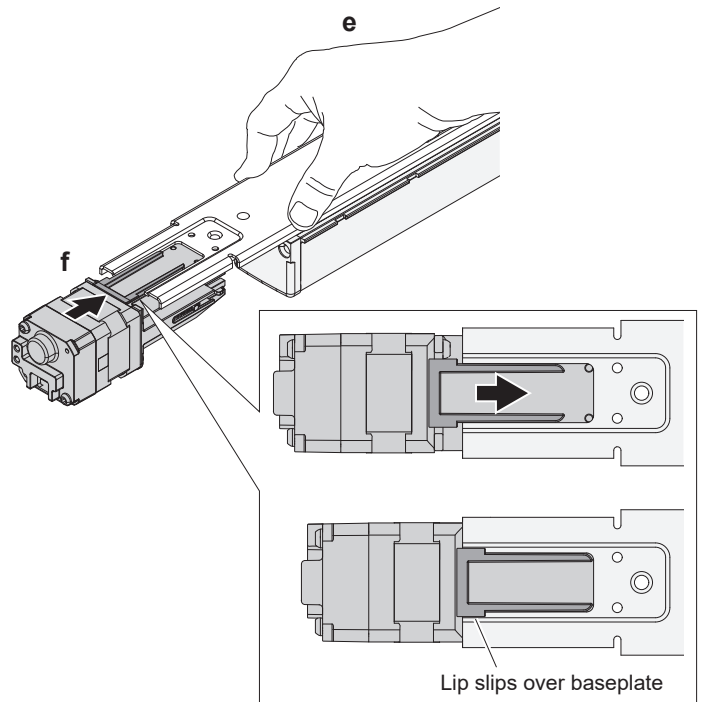
- c. While tilting baseplate assembly away from you slightly, move extended hook arm into position under baseplate. A post will be hanging down from baseplate; the hook arm should sit on the near side of that post. Rotate the motor assembly to hook the arm over the baseplate axle pin that is closest to the baseplate. Do not pull out on motor at this step.



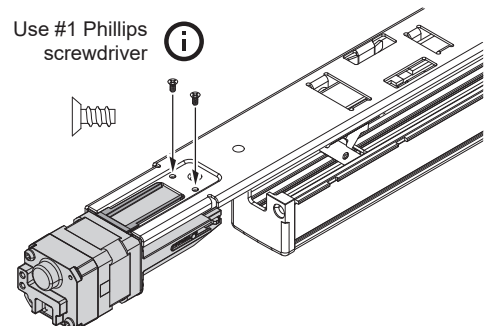
- d. Set motor on flat surface.



- e. Push down firmly on baseplate so it bottoms out against push pad.
- f. While depressing baseplate, lift up motor assembly and guide it along elongated baseplate slot until motor lip slips over baseplate.



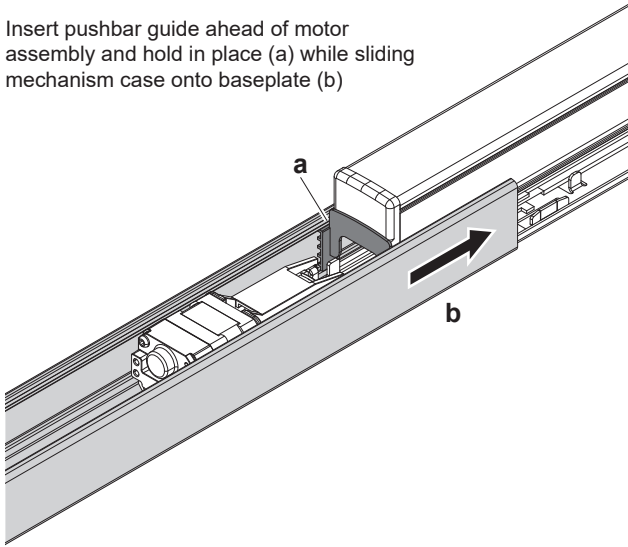
- g. Release baseplate. Secure motor assembly with 2 small self-tapping screws (provided).



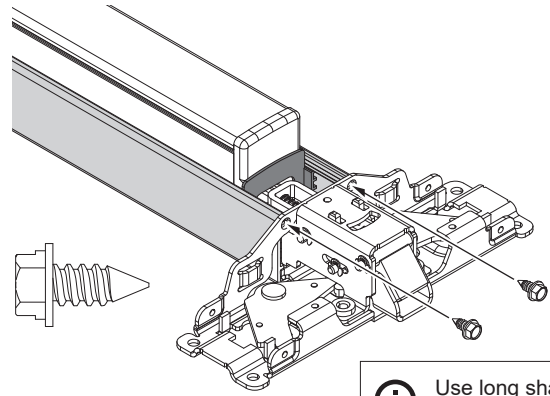
- h. Turn baseplate and motor assembly right side up.

## 10 Slide mechanism case onto baseplate

Insert pushbar guide ahead of motor assembly and hold in place (a) while sliding mechanism case onto baseplate (b)

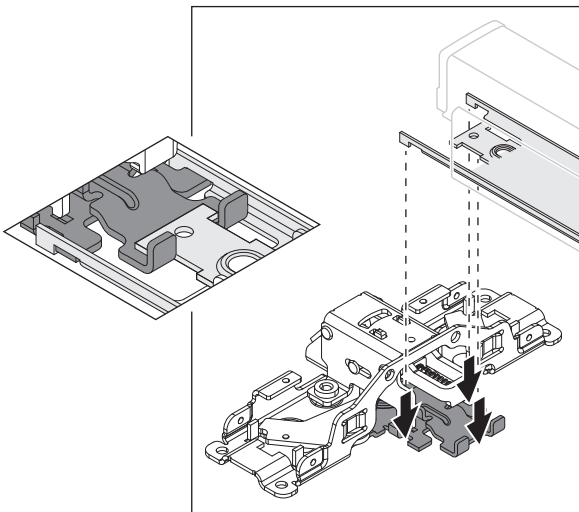


## 13 Reattach mechanism case to center case

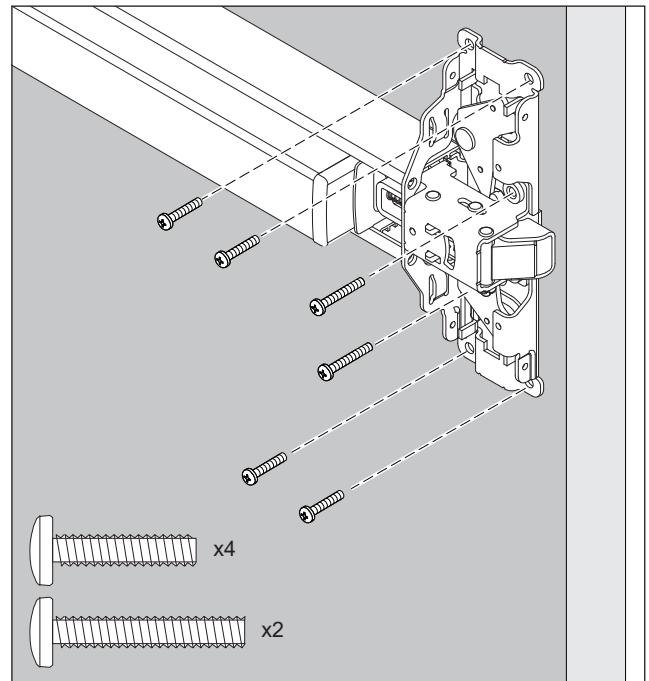


**i** Use long shank screwdriver.

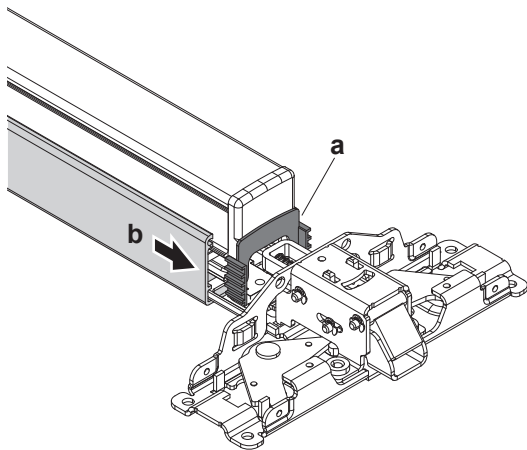
## 11 Reconnect center case to baseplate via hooking parts



## 14 Reattach device to door



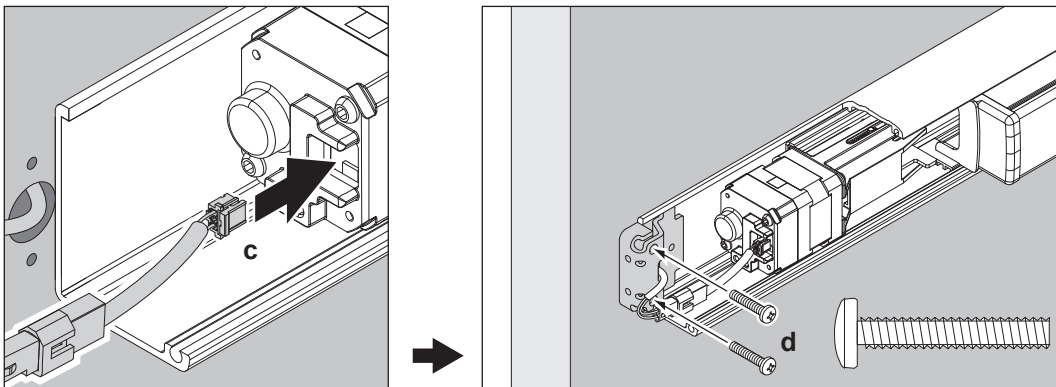
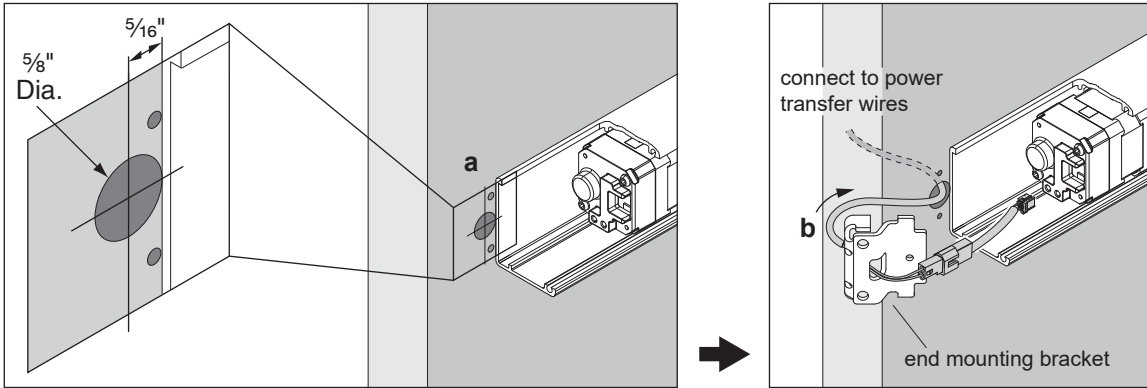
## 12 Insert remaining pushbar guide (nearest the center case) and slide mechanism case against center case



15 Complete wiring

**i** If not wiring at this time, **DO NOT DISCARD CABLE!**  
 After installing device or conversion kit, if there is room, store the cable inside the mechanism case until the electrical wiring occurs. Otherwise, store the cable in a designated location.

- Drill wire access hole.
- Route furnished 6' MEL two-piece cable thru device end mounting bracket to connect MEL device to power transfer wires.
- Plug cable connector into MEL motor.
- Reinstall end mounting bracket.
- Refer to table below to route proper gauge wires (from electric hinge, EPT, or door loop) to PS900-Series power supply.



PS900-Series power supply with 900-Series option board(s) installed

Distance (one way)	Wire Gauge
200'	18AWG
320'	16AWG
500'	14AWG
800'	12AWG

**MEL Electrical Load**  
 Voltage: 24 VDC  
 Current: 1.0 A inrush (0.5 sec)  
 0.14 A holding

**i** Power wires to MEL are not polarized.

electric hinge shown (an EPT or door loop may also be used)

MEL exit device

e

**⚠ WARNING**

To avoid risk of electric shock, turn off AC power to power supply before installing or wiring option board.

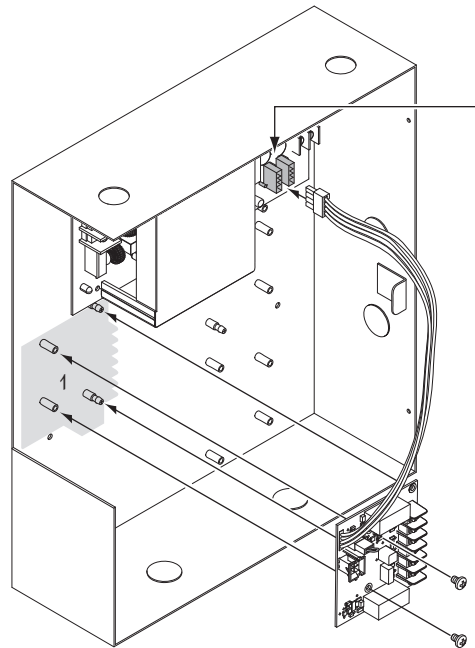
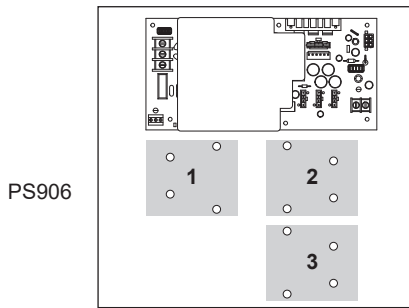
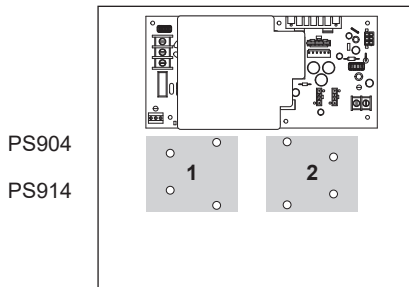
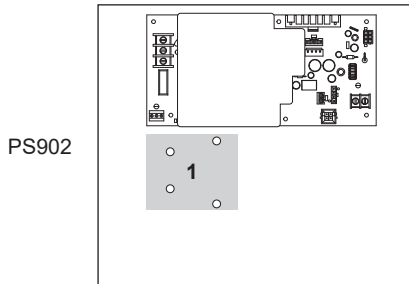
**16** Confirm equipment compatibility

MEL is compatible with the following equipment (refer to individual instructions as needed):

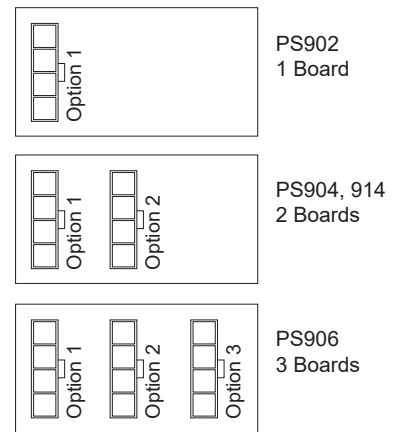
- PS900-Series power supplies - PS902, PS904, PS906, PS914
- 900-Series option boards - 900-2RS, 900-4R, 900-4RL

**17** Install 900-2RS, 4R, or 4RL option board(s) into power supply

**a** Review Available 900 series Option Board Mounting Locations (Gray)



**b** Plug Option Board Cable into any Available Option Connector



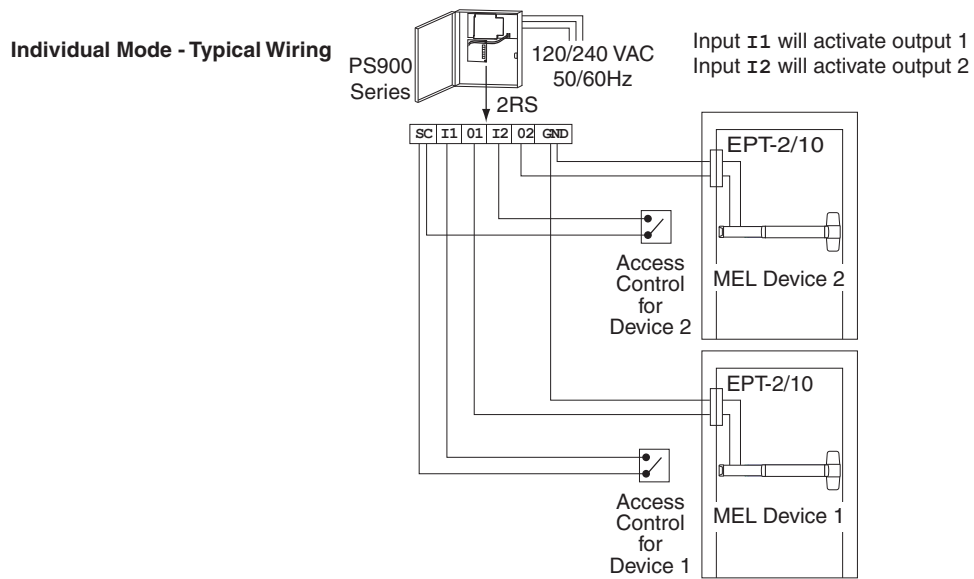
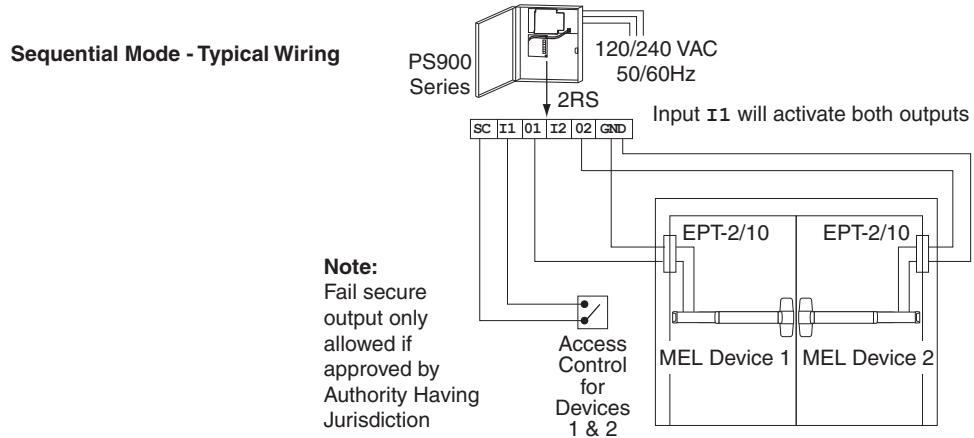
**c** Secure Board(s) with Screws

**⚠ WARNING**

Fire alarm (FA) option board required if MEL is installed in fire exit hardware.

- Notes:**
1. 24 VDC output setting required when MEL device connected.
  2. If installing board in location 2 or 3, rotate board 180°.
  3. Latchbolt retraction of (2) sequenced MEL devices requires more than 1 second to complete.
  4. When powering multiple components, verify that the amperage requirements of all components combined does not exceed the power supply output rating.

**18** Connect input and output wires to option board (2RS shown)



**19** Check operation

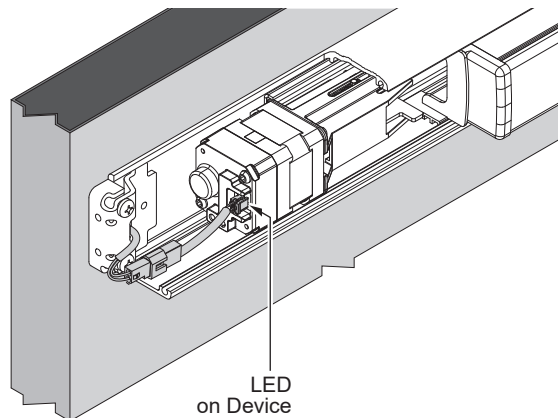
- a. Activate each input and verify all MEL devices operate properly.
- b. If any device does not operate properly, see next page for troubleshooting.



**20** If necessary, troubleshoot operation (LED is only visible with the mechanism case removed)

Power at the MEL	MEL Response	Condition/Solution
24 VDC	LED - solid green Latchbolt - retracted	<b>Operation normal, latch retracted immediately</b>
	LED - solid red after latchbolt attempts to retract multiple times	<b>Latchbolt cannot fully retract mechanically</b> Remove power. Depress pushbar and make sure latchbolt retracts and extends fully. If necessary, disconnect any vertical rods or mortise lock from device center case, and reapply power. If motor holds, mechanical adjustments may be required per the device instructions.*
	LED - flashing green/red Latchbolt - not retracted	<b>Excessive tamper (while power applied, the pushpad was pulled out at least 3 times)</b> Wait 15 seconds and latchbolt will retract again OR remove and reapply power to clear condition.
24 VDC low	LED - flashing green Latchbolt - retracted	<b>Voltage low during latchbolt retraction (latchbolt retracts at reduced force)</b> Wire length is too long, wire gauge is too small, or power supply has poor regulation.
29 VDC or greater		<b>Input voltage is too high for proper operation</b> Wrong power supply, power supply defective.
13 VDC or lower	LED- flashing red Latchbolt - will not retract	<b>Input voltage is too low for proper operation</b> Wrong power supply, power supply defective or not set to the proper output voltage.  To set, remove AC power from power supply, change power supply setting from 12 to 24 VDC, then reapply AC power and verify proper operation.
0 VDC	LED - off Latchbolt - not retracted	<b>No input voltage</b> Problem with the power supply, control switch, or wiring.

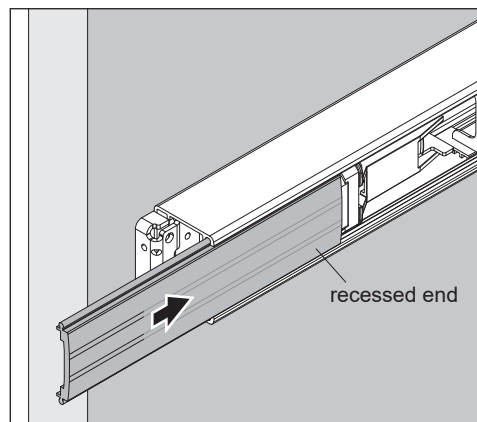
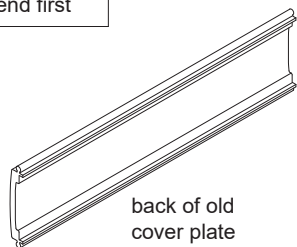
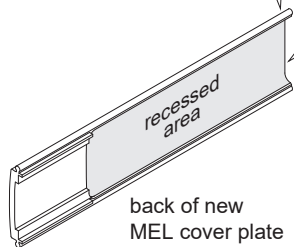
*\*For information about adjusting exit devices, you can find their installation instructions in the support area at [www.allegion.com/us](http://www.allegion.com/us) or call Technical Services at 1-877-671-7011*



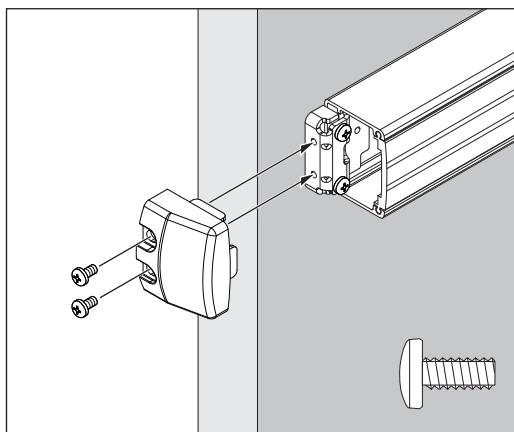
## 21 Install MEL cover plate

**i** Do **not** cut from recessed end of cover plate

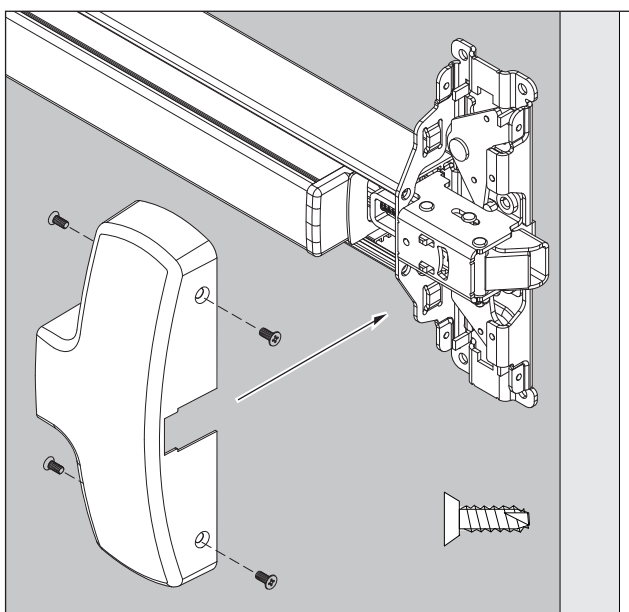
**i** Install this end first



## 22 Reinstall end cap



## 23 Reinstall center case cover

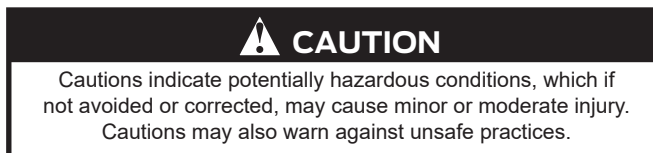


## Warnings and Cautions

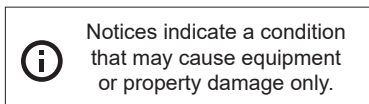
Warnings look like this:



Cautions look like this:



Notices look like this:



Directions look like this:

