

**FALCON®**

MA-Series

Service manual





# Contents

- 4 Introduction
- 5 Lock assembly drawing index
- 8 Lock assemblies
  - 9 MA101 - Passage or closet latch
  - 10 MA161 - Exit or connecting room latch
  - 11 MA301 - Privacy lock
  - 12 MA311 - Privacy, bedroom/bath lock
  - 13 MA321 - Privacy lock
  - 14 MA371 - Store door lock
  - 15 MA381 - Apartment, exit lock
  - 16 MA411 - Asylum or institutional lock
  - 17 MA431 - Classroom security lock with deadbolt
  - 18 MA441 - Classroom security lock
  - 19 MA451 - Hotel guest lock
  - 20 MA521 - Entry/office lock
  - 21 MA531 - Apartment corridor door lock
  - 22 MA541 - Entry/office lock
  - 23 MA551 - Holdback lock
  - 24 MA561 - Classroom lock
  - 25 MA571 - Dormitory or exit lock
  - 26 MA581 - Storeroom lock
  - 27 MA621 - Apartment corridor lock
  - 28 MA641 - Dormitory lock
  - 29 MA851 - Electrified fail safe (EL) - 12 or 24V, with or without RX
  - 30 MA881 - Electrified fail secure (EU) - 12 or 24V, with or without RX
  - 31 MA911 - Classroom dead lock
  - 32 MA921 - Dead lock outside only
  - 33 MA931 - Dead lock inside and outside
  - 34 MA941 - Dead lock with inside turn
  - 35 MA12 - Single dummy
  - 36 MA18 - Double dummy
- 37 Parts and accessories
  - 37 Lever and knob designs
  - 37 Screw packs
  - 39 Cams
- 40 Cylinders
  - 40 Mortise, rim, and cam lock for standard cylinders
  - 40 Strikes
  - 41 Cylinder collars
  - 41 Escutcheon trim rings
  - 41 Sectional trim rings
  - 42 Trim rings and collars
- 43 Electrified locks
- 44 Ordering procedures
- 44 Finishes
- 45 Door handing

# Introduction

This manual contains a complete listing of parts and assemblies for MA-Series mortise locks manufactured by Falcon Lock Company. This edition lists components of MA-Series locks manufactured after February, 2011. All lock case covers are labeled with dates to identify year of manufacture. Example: 2311 = the 23rd week of 2011.

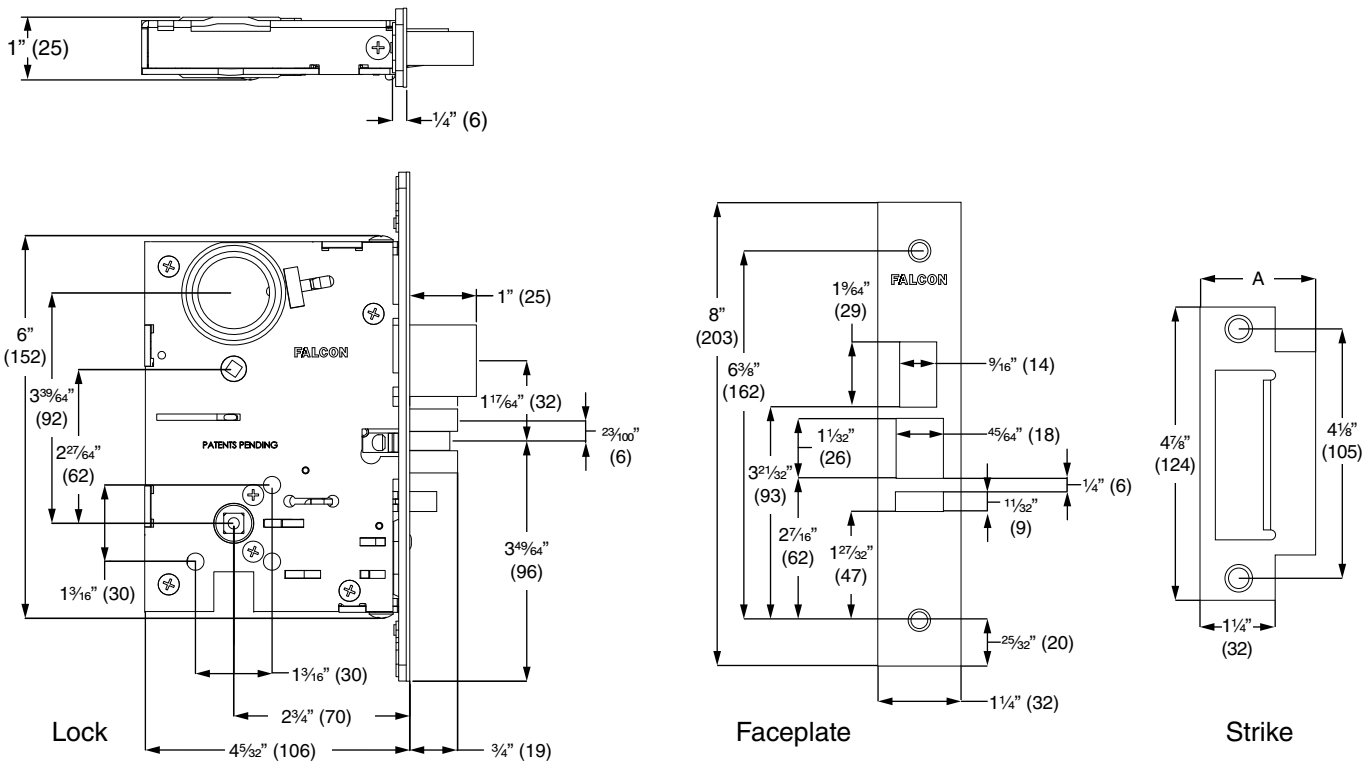
Exploded views of each lock function and trim assembly are provided with accompanying charts to identify parts for replacement purposes. Exploded views of trim are shown with parts for standard size doors. In addition, this manual provides lock trim ordering procedures, cylinder length charts by door range, and all auxiliary components of the MA-Series mortise locks.

## Standard features\*

|                |  |
|----------------|--|
| Certifications | ANSI A156 .13, Series 1000, Grade 1 Operation and Security, UL Listed for 3-hour fire door |
| Latch          | 2-piece brass mechanical anti-friction bolt, 3/4" projection                               |
| Strike         | 1 1/4" x 4 7/8", ANSI, Square corner, with dust box  |
| Cylinder       | 6-Pin solid brass, keyed 5-pin, Falcon G keyway, keyed different (KD)                      |
| Door Range     | 1 3/4" - 1 7/8" standard   |
| Keys           | Two, nickel silver cut keys per lock, Falcon G keyway                                      |
| Backset        | 2 3/4"   |

\* Locks are furnished with standard features unless otherwise specified.

## Lock case dimensions



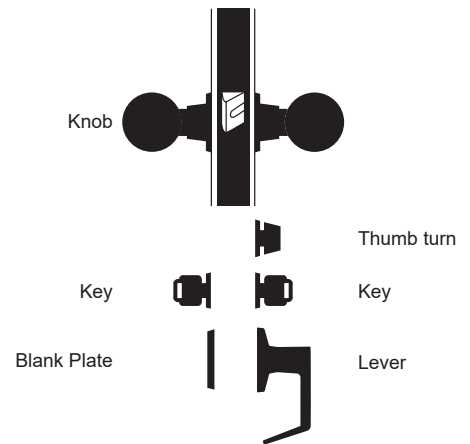
| Strike             |                  |
|--------------------|------------------|
| (A) Door thickness | Lip size         |
| 1 3/4" - 1 7/8"    | 1/4" (32 mm)     |
| 2" - 2 1/8"        | 1 7/16" (37 mm)  |
| 2 1/4" - 2 3/8"    | 1 9/16" (40 mm)  |
| 2 1/2" - 2 5/8"    | 1 11/16" (43 mm) |

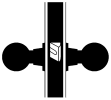





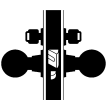
# Lock assembly drawing index

The lock assembly drawing index provides visual representations and textual descriptions of available functions. Page numbers for full trim and chassis drawings are referenced.











To order Falcon MA-Series locksets, please consult **page 44** for ordering information and assistance.

Note: If a special function is required and not listed here, please contact the factory for assistance.










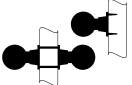


| Function  |      | ANSI A156.13, 2005            |   | Page |
|---|------|-------------------------------|---|------|
| Falcon  | ANSI | Description                   | Function  |      |
| MA101   | F01  | Passage/closet latchset       | Latch bolt by knob/levers at all times.   | 9    |
|    |      |                               |   |      |
| MA161   | F31  | Connecting room/exit latch    | Latch bolt operated by knob/lever from inside. No trim outside. Auxiliary dead latch.   | 10   |
|  |      |                               |   |      |
| MA301   | F02  | Privacy lock                  | Latch bolt by knobs/levers either side, dead bolt by turn inside or emergency release outside.  | 11   |
|  |      |                               |   |      |
| MA311   | F19  | Privacy, bedroom or bath lock | Latch bolt by knobs/levers. Deadbolt by turn from inside and emergency release outside. Rotating inside knob/lever retracts both bolts.   | 12   |
|  |      |                               |   |      |
| MA321   | F22  | Privacy lock                  | Latch bolt operated by knob/lever from either side except when outside knob/lever is locked by inside thumb turn. Operating inside knob/lever, closing door or operating outside emergency release unlocks outside knob/lever.                      | 13   |
|  |      |                               |   |      |
| MA371   | F14  | Store door lock               | Latch bolt by knobs/levers. Deadbolt by key from either side.   | 14   |
|  |      |                               |   |      |
| MA381   | F09  | Apartment, exit lock          | Latch bolt operated by knob/lever from either side, except when outside knob/lever is locked by key from inside. When outside knob/lever is locked, latch bolt is retracted by key from outside or by operating inside lever. Auxiliary dead latch. | 15   |
|  |      |                               |   |      |

## Lock assembly drawing index

|   |     |                                       |   |    |
|---|-----|---------------------------------------|---|----|
| MA411   | F30 | Asylum lock                           | Latch bolt operated by key from either side. Both knobs/levers always inoperative. Auxiliary dead latch.  | 16 |
|    |     |                                       |   |    |
| MA431   | F34 | Classroom security lock with deadbolt | Latch bolt operated by knob/lever from either side except when outside knob/lever is locked from inside or outside by key. Dead bolt retracted by key from inside or outside. Operating inside knob/lever retracts both bolts and unlocks outside. Latch bolt dead locked when dead bolt is thrown.   | 17 |
|    |     |                                       |   |    |
| MA441   | F32 | Classroom security lock               | Latch bolt operated by knob/lever from either side except when outside knob/lever is locked from inside or outside by key. When outside knob/lever is locked, latch bolt is retracted by key from inside or outside or by operating inside knob/lever. Auxiliary dead latch.  | 18 |
|    |     |                                       |   |    |
| MA451   | F15 | Hotel/guest lock                      | Latch bolt operated by key from outside or by operating inside knob/lever. Outside knob/lever is always inoperative. Dead bolt projected by turn from inside and all keys except emergency key are shut out. Operating inside knob/lever retracts both bolts. Auxiliary dead latch.   | 19 |
|    |     |                                       |   |    |
| MA521   | F04 | Entry/office lock                     | Latch bolt operated by knob/lever from either side except when outside knob/lever is made inoperative by buttons in face. When outside knob/lever is locked, latch bolt is retracted by key from outside or by operating inside knob/lever. Auxiliary dead latch. When dead bolt is retracted, knob/lever is unlocked by buttons in face.   | 20 |
|   |     |                                       |   |    |
| MA531   | F20 | Apartment corridor door lock          | Latch bolt operated by knob/lever from either side, except when outside knob/lever is made inoperative by buttons in face. Dead bolt operated by key outside or turn inside. Key outside operates both bolts. Operating inside knob/lever retracts both bolts and outside remains locked.<br><br>Latch bolt is deadlocked when outside knob/lever is made inoperative or when the dead bolt is projected. When dead bolt is retracted, knob/lever is unlocked by buttons in face. | 21 |
|  |     |                                       |   |    |
| MA541   | F21 | Entry/office lock                     | Latch bolt by knobs/levers either side. Deadbolt by key outside or turn inside.   | 22 |
|  |     |                                       |   |    |
| MA551   | F06 | Holdback lock                         | Latch bolt operated by lever from either side except when outside lever is locked from outside by key. Latch bolt can be locked in a retracted position by key. When outside lever is locked, latch bolt is retracted by key from outside or by operating inside lever unless latch bolt has been locked in a retracted position. Auxiliary dead latch.<br><br>Note: Chassis is handed.   | 23 |
|  |     |                                       |   |    |
| MA561   | F05 | Classroom lock                        | Latch bolt operated by knob/lever from either side except when outside knob/lever is locked by key. When outside knob/lever is locked, latchbolt is retracted by key from outside or by operating inside knob/lever. Auxiliary latch deadlocks latch bolt when door is closed. Inside knob/lever always free for immediate use.   | 24 |
|  |     |                                       |   |    |
| MA571   | F13 | Dormitory or exit lock                | Latch bolt operated by knob/lever from either side. Dead bolt projected by key from outside and turn from inside. Operating inside knob/lever retracts both bolts and unlocks outside.  | 25 |
|  |     |                                       |   |    |

## Lock assembly drawing index

|   |         |  |  |                        |
|---|---------|--|--|------------------------|
| MA581   | F07     | Storeroom lock                                   | Latch bolt operated by key from outside or by operating inside knob/lever. Outside knob/lever is always inoperative. Auxiliary dead latch.   | <b>26</b>              |
|    |         |  |  |                        |
| MA621   | F08/F10 | Front door/apartment corridor                    | Latch bolt is operated by knob/lever from either side except when outside knob/lever is made inoperative by buttons in face. Dead bolt is operated by turn inside. Key outside operates both bolts.  | <b>27</b>              |
|    |         |  |  |                        |
| MA641   | -       | Dormitory lock                                   | Latch bolt by knob/lever inside and key outside. Inside knob/lever free. Outside knob/lever rigid. Dead bolt by key outside or thumb turn inside. Rotating inside knob/lever retracts both bolts. Deadlocking latch.   | <b>28</b>              |
|    |         |  |  |                        |
| MA851   | -       | Storeroom - Fail safe (EL), with or without RX   | Latch bolt operated by knob/lever from either side except when outside knob/lever is electrically locked. When outside knob/lever is locked, latch bolt retracted by key in cylinder outside. Deadlocking latch. Inside knob/lever is always free for immediate egress.<br>Specify 12 or 24 V DC.              | <b>29</b>              |
|    |         |  |  |                        |
| MA881   | -       | Storeroom - Fail secure (EU), with or without RX | Latch bolt operated by knob/lever from inside except when outside knob/lever is electrically unlocked, then latch bolt from either side. When locked, key in outside cylinder outside retracts latch bolt. Deadlocking latch. Inside knob/lever is always free for immediate egress.<br>Specify 12 or 24 V DC. | <b>30</b>              |
|   |         |  |  |                        |
| MA911   | F29     | Classroom deadlock                               | Key from outside operates deadbolt. Turn from inside retracts but does not project dead bolt.  | <b>31</b>              |
|  |         |  |  |                        |
| MA921   | F18     | Deadlock outside only                            | Deadbolt by key outside only.  | <b>32</b>              |
|  |         |  |  |                        |
| MA931   | F16     | Deadlock inside and outside                      | Deadbolt by key from either side.  | <b>33</b>              |
|  |         |  |  |                        |
| MA941   | F17     | Deadlock with inside turn                        | Deadbolt by key outside or turn inside.  | <b>34</b>              |
|  |         |  |  |                        |
| MA12/MA18   | -       | Dummy trim                                       | Single or double available.<br>Single (MA12).<br>Double (MA18).  | <b>35</b><br><b>36</b> |
|  |         |  |  |                        |

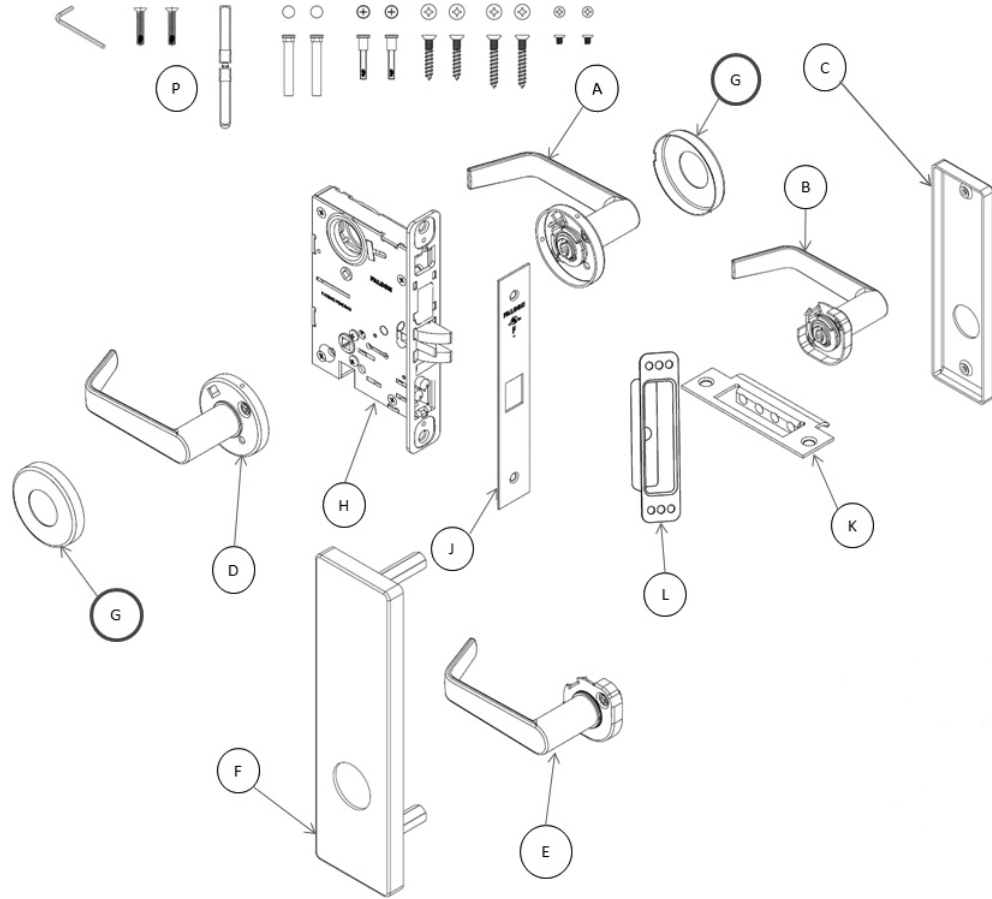
# Lock assemblies

- 9 MA101 - Passage or closet latch
- 10 MA161 - Exit or connecting room latch
- 11 MA301 - Privacy lock
- 12 MA311 - Privacy, bedroom/bath lock
- 13 MA321 - Privacy lock
- 14 MA371 - Store door lock
- 15 MA381 - Apartment, exit lock
- 16 MA411 - Asylum or institutional lock
- 17 MA431 - Classroom security lock with deadbolt
- 18 MA441 - Classroom security lock
- 19 MA451 - Hotel guest lock
- 20 MA521 - Entry/office lock
- 21 MA531 - Apartment corridor door lock
- 22 MA541 - Entry/office lock
- 23 MA551 - Holdback lock
- 24 MA561 - Classroom lock
- 25 MA571 - Dormitory or exit lock
- 26 MA581 - Storeroom lock
- 27 MA621 - Apartment corridor lock
- 28 MA641 - Dormitory lock
- 29 MA851 - Electrified fail safe (EL) - 12 or 24V, with or without RX
- 30 MA881 - Electrified fail secure (EU) - 12 or 24V, with or without RX
- 31 MA911 - Classroom dead lock
- 32 MA921 - Dead lock outside only
- 33 MA931 - Dead lock inside and outside
- 34 MA941 - Dead lock with inside turn
- 35 MA12 - Single dummy
- 36 MA18 - Double dummy



Lock assemblies

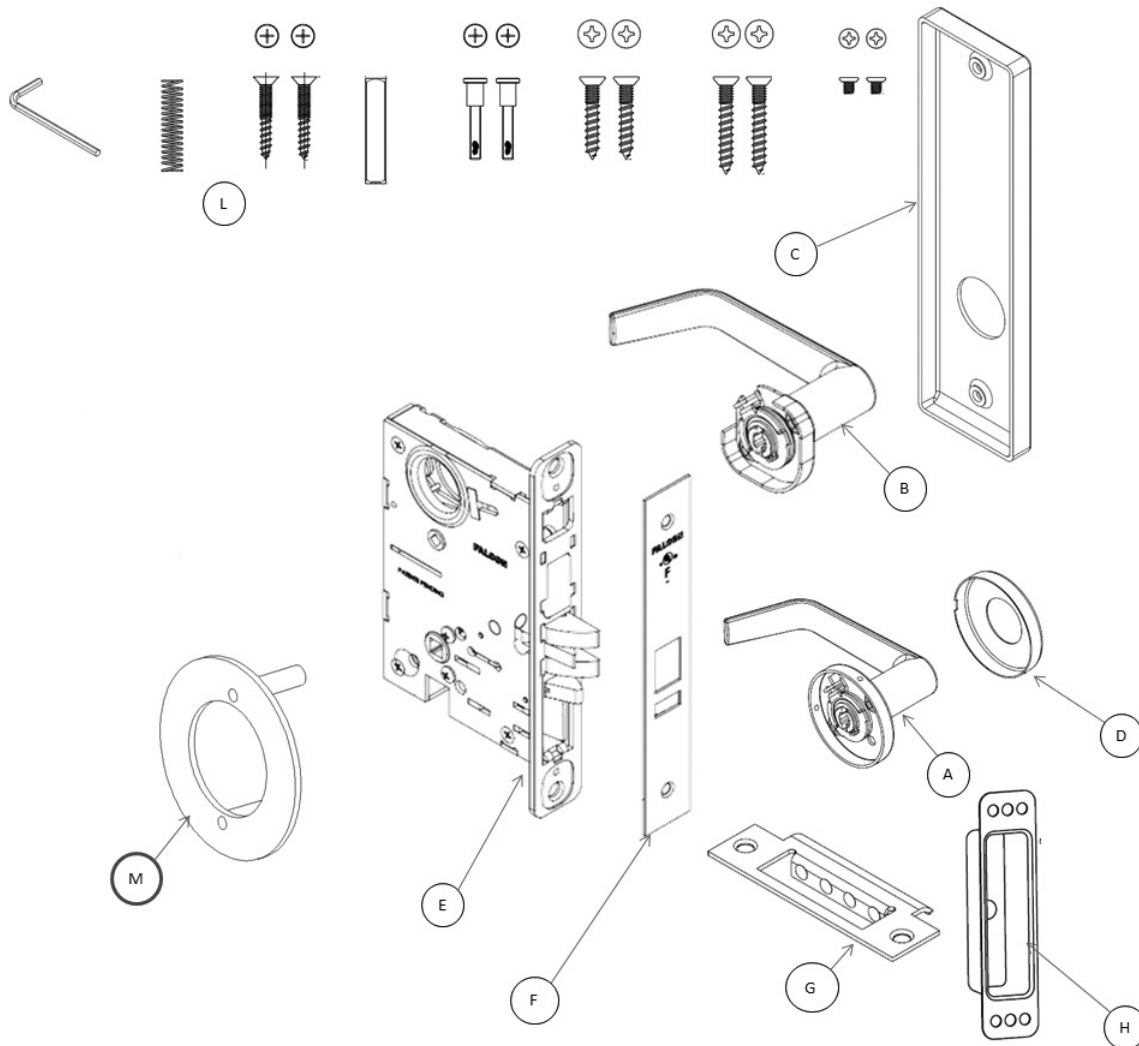
MA101 - Passage or closet latch



| Ltr. | Description         |                       | Levers      |         |         |         |           |          |          |           | Knobs   |
|------|---------------------|-----------------------|-------------|---------|---------|---------|-----------|----------|----------|-----------|---------|
|      |                     |                       | Dane        | Sutro   | Avalon  | Quantum | Boardwalk | Broadway | Latitude | Longitude | Hana    |
| A    | Inside trim         | Knob/lever sectional  | AS76280     | AS76526 | AS76029 | AS76140 | AS76310   | AS76321  | AS76360  | AS76760   | AS76100 |
| B    |                     | Knob/lever escutcheon | AE77280     | AE77526 | AE77029 | AE77140 | AE77310   | AE77321  | AE77360  | AE77760   | AE77100 |
| C    |                     | Escutcheon            | E77012-IP   |         |         |         |           |          |          |           |         |
| D    | Outside trim        | Knob/lever sectional  | AS76280     | AS76526 | AS76029 | AS76140 | AS76310   | AS76321  | AS76360  | AS76760   | AS76100 |
| E    |                     | Knob/lever escutcheon | AE77280     | AE77526 | AE77029 | AE77140 | AE77310   | AE77321  | AE77360  | AE77760   | AE77100 |
| F    |                     | Escutcheon            | AE77012-OP  |         |         |         |           |          |          |           |         |
| G    | Rose (2)            |                       | S76012      |         |         |         |           |          |          |           |         |
| H    | Assembly, lock unit |                       | A7801       |         |         |         |           |          |          |           |         |
| J    | Faceplate           |                       | S77801      |         |         |         |           |          |          |           |         |
| K    | Strike assembly     |                       | A8737-X     |         |         |         |           |          |          |           |         |
| L    | Strike box          |                       | PE1396      |         |         |         |           |          |          |           |         |
| P    | Screw pack          |                       | See page 37 |         |         |         |           |          |          |           |         |

Lock assemblies

MA161 - Exit or connecting room latch

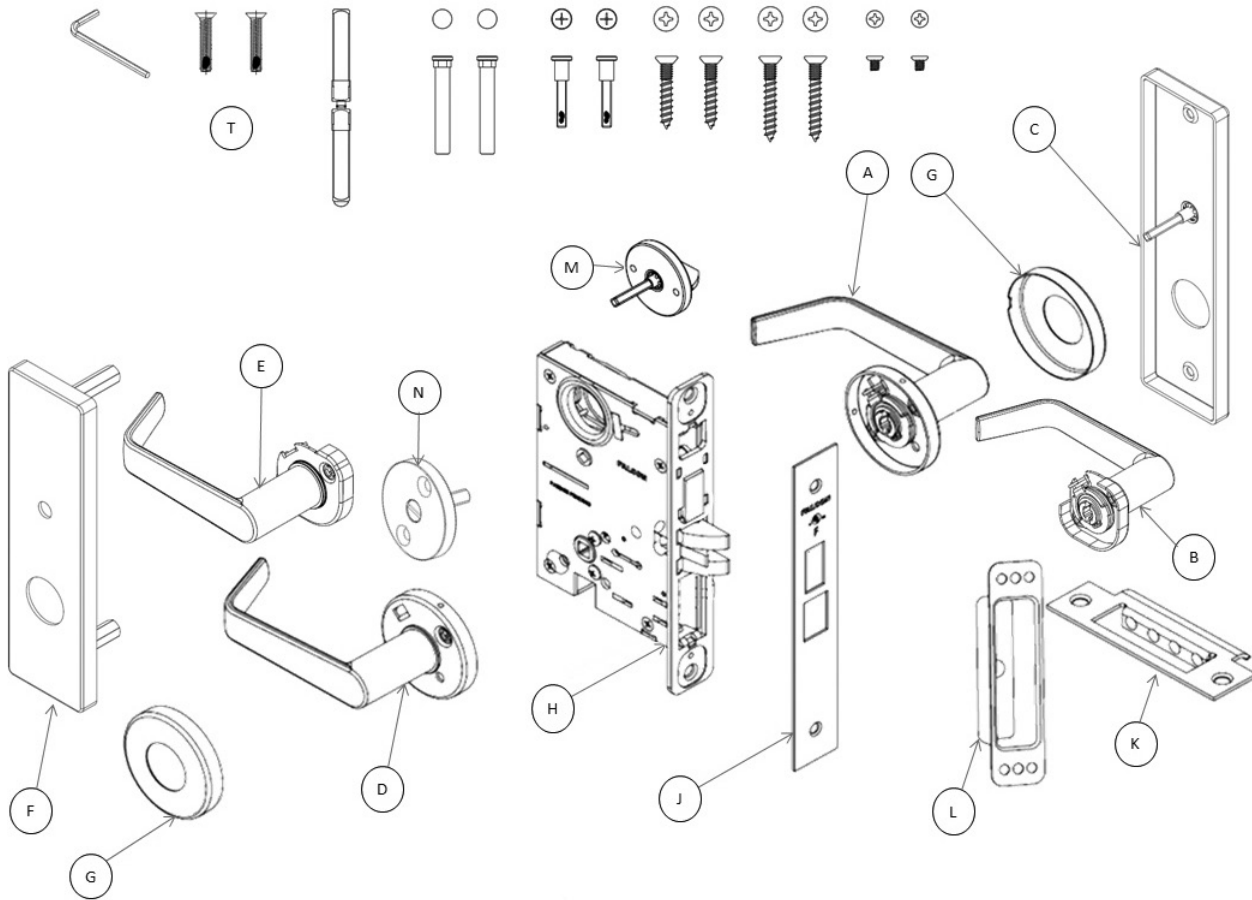


| Ltr. | Description                        | Levers                |           |         |         |           |          |          |           | Knobs   |         |
|------|------------------------------------|-----------------------|-----------|---------|---------|-----------|----------|----------|-----------|---------|---------|
|      |                                    | Dane                  | Sutro     | Avalon  | Quantum | Boardwalk | Broadway | Latitude | Longitude | Hana    |         |
| A    | Inside trim                        | Knob/lever sectional  | AS76280   | AS76526 | AS76029 | AS76140   | AS76310  | AS76321  | AS76360   | AS76760 | AS76100 |
| B    |                                    | Knob/lever escutcheon | AE77280   | AE77526 | AE77029 | AE77140   | AE77310  | AE77321  | AE77360   | AE77760 | AE77100 |
| C    |                                    | Escutcheon            | E77012-IP |         |         |           |          |          |           |         |         |
| -    | Outside trim                       | Knob/lever sectional  | N/A       | N/A     | N/A     | N/A       | N/A      | N/A      | N/A       | N/A     | N/A     |
| -    |                                    | Knob/lever escutcheon | N/A       | N/A     | N/A     | N/A       | N/A      | N/A      | N/A       | N/A     | N/A     |
| -    |                                    | Escutcheon            | N/A       |         |         |           |          |          |           |         |         |
| D    | Rose                               | S76012                |           |         |         |           |          |          |           |         |         |
| E    | Assembly, lock unit                | A7831                 |           |         |         |           |          |          |           |         |         |
| F    | Faceplate                          | S77805                |           |         |         |           |          |          |           |         |         |
| G    | Strike assembly                    | A8737-X               |           |         |         |           |          |          |           |         |         |
| H    | Strike box                         | PE1396                |           |         |         |           |          |          |           |         |         |
| L    | Screw pack                         | See page 37           |           |         |         |           |          |          |           |         |         |
| M    | Plate for use with no outside trim | AS5813                |           |         |         |           |          |          |           |         |         |



**Lock assemblies**

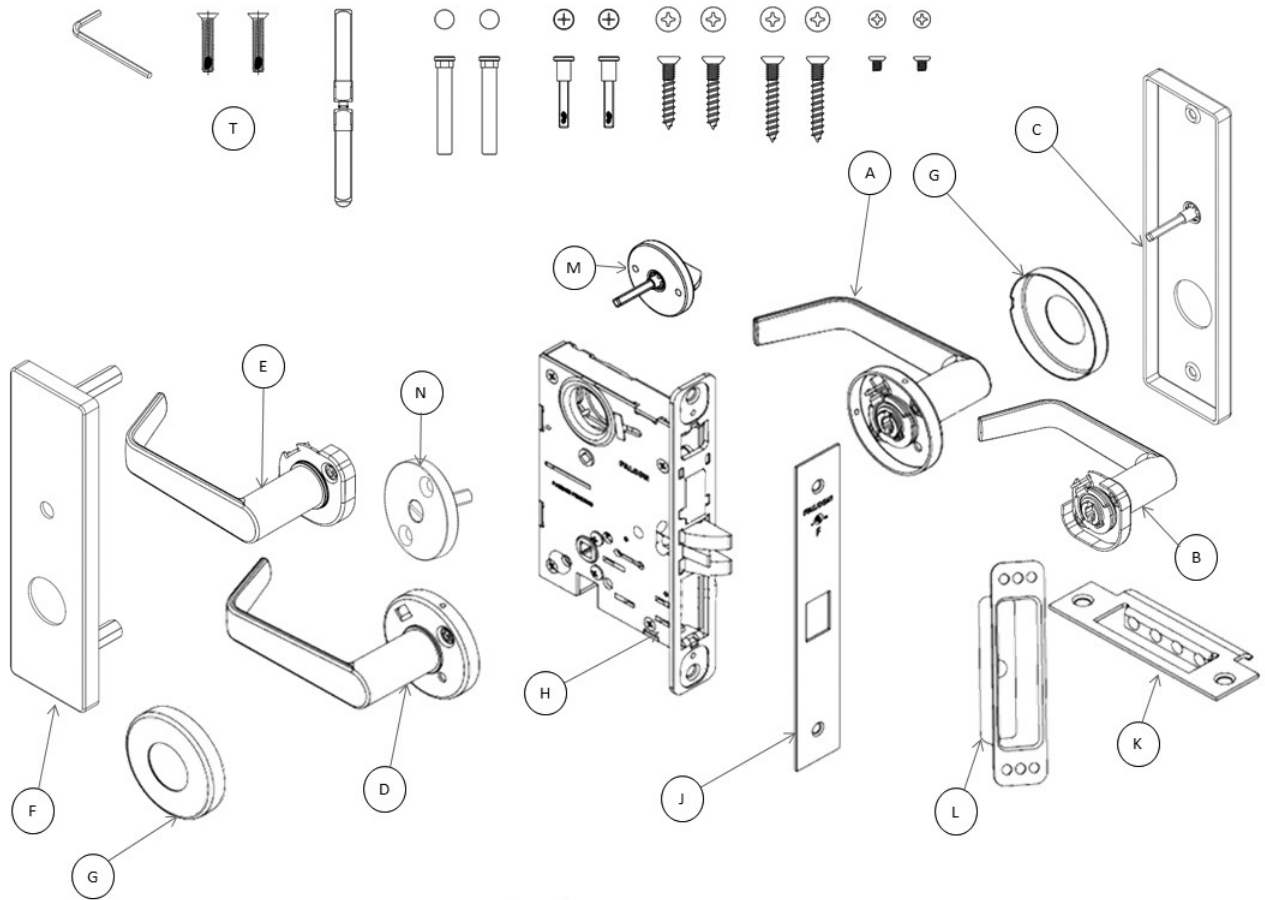
**MA311 - Privacy, bedroom/bath lock**



| Ltr. | Description         |                       | Levers      |         |         |         |           |          |          |           | Knobs   |
|------|---------------------|-----------------------|-------------|---------|---------|---------|-----------|----------|----------|-----------|---------|
|      |                     |                       | Dane        | Sutro   | Avalon  | Quantum | Boardwalk | Broadway | Latitude | Longitude | Hana    |
| A    | Inside trim         | Knob/lever sectional  | AS76280     | AS76526 | AS76029 | AS76140 | AS76310   | AS76321  | AS76360  | AS76760   | AS76100 |
| B    |                     | Knob/lever escutcheon | AE77280     | AE77526 | AE77029 | AE77140 | AE77310   | AE77321  | AE77360  | AE77760   | AE77100 |
| C    |                     | Escutcheon            | AE77012-IT  |         |         |         |           |          |          |           |         |
| D    | Outside trim        | Knob/lever sectional  | AS76280     | AS76526 | AS76029 | AS76140 | AS76310   | AS76321  | AS76360  | AS76760   | AS76100 |
| E    |                     | Knob/lever escutcheon | AE77280     | AE77526 | AE77029 | AE77140 | AE77310   | AE77321  | AE77360  | AE77760   | AE77100 |
| F    |                     | Escutcheon            | AE77012-OT  |         |         |         |           |          |          |           |         |
| G    | Rose (2)            |                       | S76012      |         |         |         |           |          |          |           |         |
| H    | Assembly, lock unit |                       | A7819       |         |         |         |           |          |          |           |         |
| J    | Faceplate           |                       | S77819      |         |         |         |           |          |          |           |         |
| K    | Strike assembly     |                       | A8737-X     |         |         |         |           |          |          |           |         |
| L    | Strike box          |                       | PE1396      |         |         |         |           |          |          |           |         |
| M    | Thumb turn          |                       | AS75319     |         |         |         |           |          |          |           |         |
| N    | Emergency turn      |                       | AS76853     |         |         |         |           |          |          |           |         |
| T    | Screw pack          |                       | See page 37 |         |         |         |           |          |          |           |         |

**Lock assemblies**

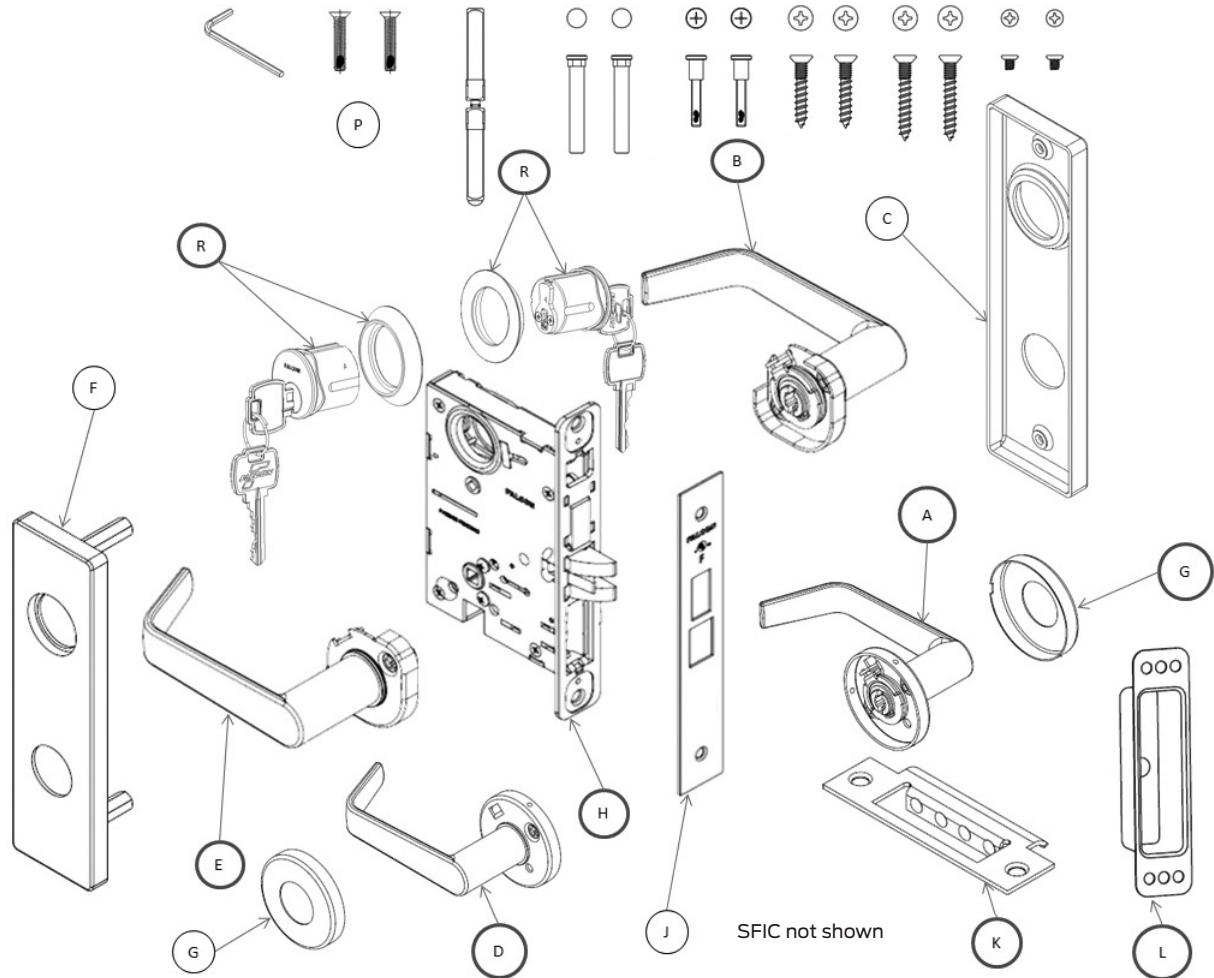
MA321 - Privacy lock



| Ltr. | Description         |                       | Levers      |         |         |         |           |          |          |           | Knobs   |
|------|---------------------|-----------------------|-------------|---------|---------|---------|-----------|----------|----------|-----------|---------|
|      |                     |                       | Dane        | Sutro   | Avalon  | Quantum | Boardwalk | Broadway | Latitude | Longitude | Hana    |
| A    | Inside trim         | Knob/lever sectional  | AS76280     | AS76526 | AS76029 | AS76140 | AS76310   | AS76321  | AS76360  | AS76760   | AS76100 |
| B    |                     | Knob/lever escutcheon | AE77280     | AE77526 | AE77029 | AE77140 | AE77310   | AE77321  | AE77360  | AE77760   | AE77100 |
| C    |                     | Escutcheon            | AE77012-IT  |         |         |         |           |          |          |           |         |
| D    | Outside trim        | Knob/lever sectional  | AS76280     | AS76526 | AS76029 | AS76140 | AS76310   | AS76321  | AS76360  | AS76760   | AS76100 |
| E    |                     | Knob/lever escutcheon | AE77280     | AE77526 | AE77029 | AE77140 | AE77310   | AE77321  | AE77360  | AE77760   | AE77100 |
| F    |                     | Escutcheon            | AE77012-OT  |         |         |         |           |          |          |           |         |
| G    | Rose (2)            |                       | S76012      |         |         |         |           |          |          |           |         |
| H    | Assembly, lock unit |                       | A7822       |         |         |         |           |          |          |           |         |
| J    | Faceplate           |                       | S77801      |         |         |         |           |          |          |           |         |
| K    | Strike assembly     |                       | A8737-X     |         |         |         |           |          |          |           |         |
| L    | Strike box          |                       | PE1396      |         |         |         |           |          |          |           |         |
| M    | Thumb turn          |                       | AS75319     |         |         |         |           |          |          |           |         |
| N    | Emergency turn      |                       | AS76853     |         |         |         |           |          |          |           |         |
| T    | Screw pack          |                       | See page 37 |         |         |         |           |          |          |           |         |

## Lock assemblies

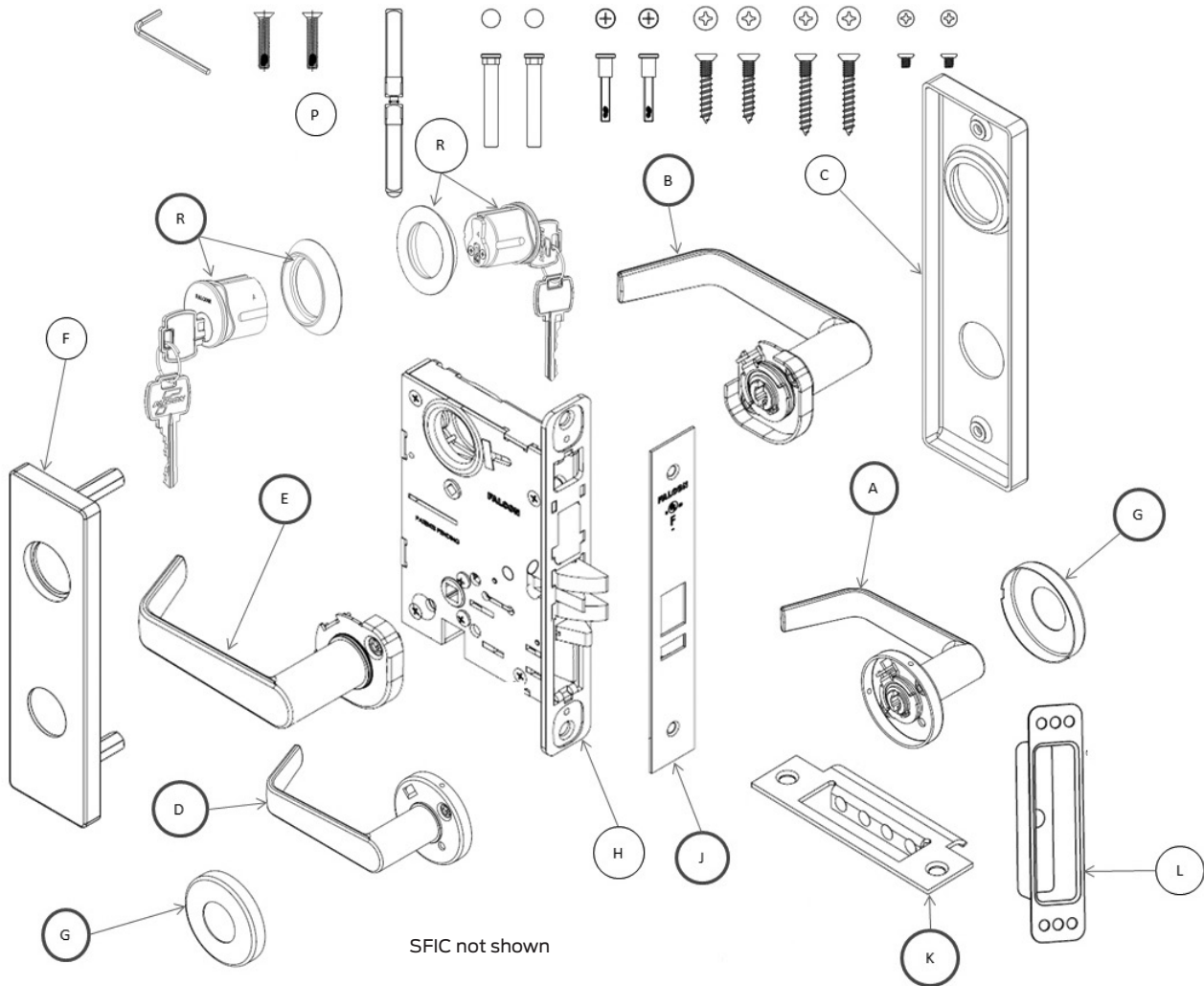
### MA371 - Store door lock



| Ltr. | Description                |                       | Levers      |         |         |         |           |          |          |           | Knobs   |
|------|----------------------------|-----------------------|-------------|---------|---------|---------|-----------|----------|----------|-----------|---------|
|      |                            |                       | Dane        | Sutro   | Avalon  | Quantum | Boardwalk | Broadway | Latitude | Longitude | Hana    |
| A    | Inside trim                | Knob/lever sectional  | AS76280     | AS76526 | AS76029 | AS76140 | AS76310   | AS76321  | AS76360  | AS76760   | AS76100 |
| B    |                            | Knob/lever escutcheon | AE77280     | AE77526 | AE77029 | AE77140 | AE77310   | AE77321  | AE77360  | AE77760   | AE77100 |
| C    |                            | Escutcheon            | E77012-IC   |         |         |         |           |          |          |           |         |
| D    | Outside trim               | Knob/lever sectional  | AS76280     | AS76526 | AS76029 | AS76140 | AS76310   | AS76321  | AS76360  | AS76760   | AS76100 |
| E    |                            | Knob/lever escutcheon | AE77280     | AE77526 | AE77029 | AE77140 | AE77310   | AE77321  | AE77360  | AE77760   | AE77100 |
| F    |                            | Escutcheon            | AE77012-OC  |         |         |         |           |          |          |           |         |
| G    | Rose (2)                   |                       | S76012      |         |         |         |           |          |          |           |         |
| H    | Assembly, lock unit        |                       | A7814       |         |         |         |           |          |          |           |         |
| J    | Faceplate                  |                       | S77819      |         |         |         |           |          |          |           |         |
| K    | Strike assembly            |                       | A8737-X     |         |         |         |           |          |          |           |         |
| L    | Strike box                 |                       | PE1396      |         |         |         |           |          |          |           |         |
| P    | Screw pack                 |                       | See page 37 |         |         |         |           |          |          |           |         |
| R    | Cylinder, conventional (2) |                       | Q005-064    |         |         |         |           |          |          |           |         |
|      | Cylinder, SFIC (2)         |                       | Q005-065    |         |         |         |           |          |          |           |         |

**Lock assemblies**

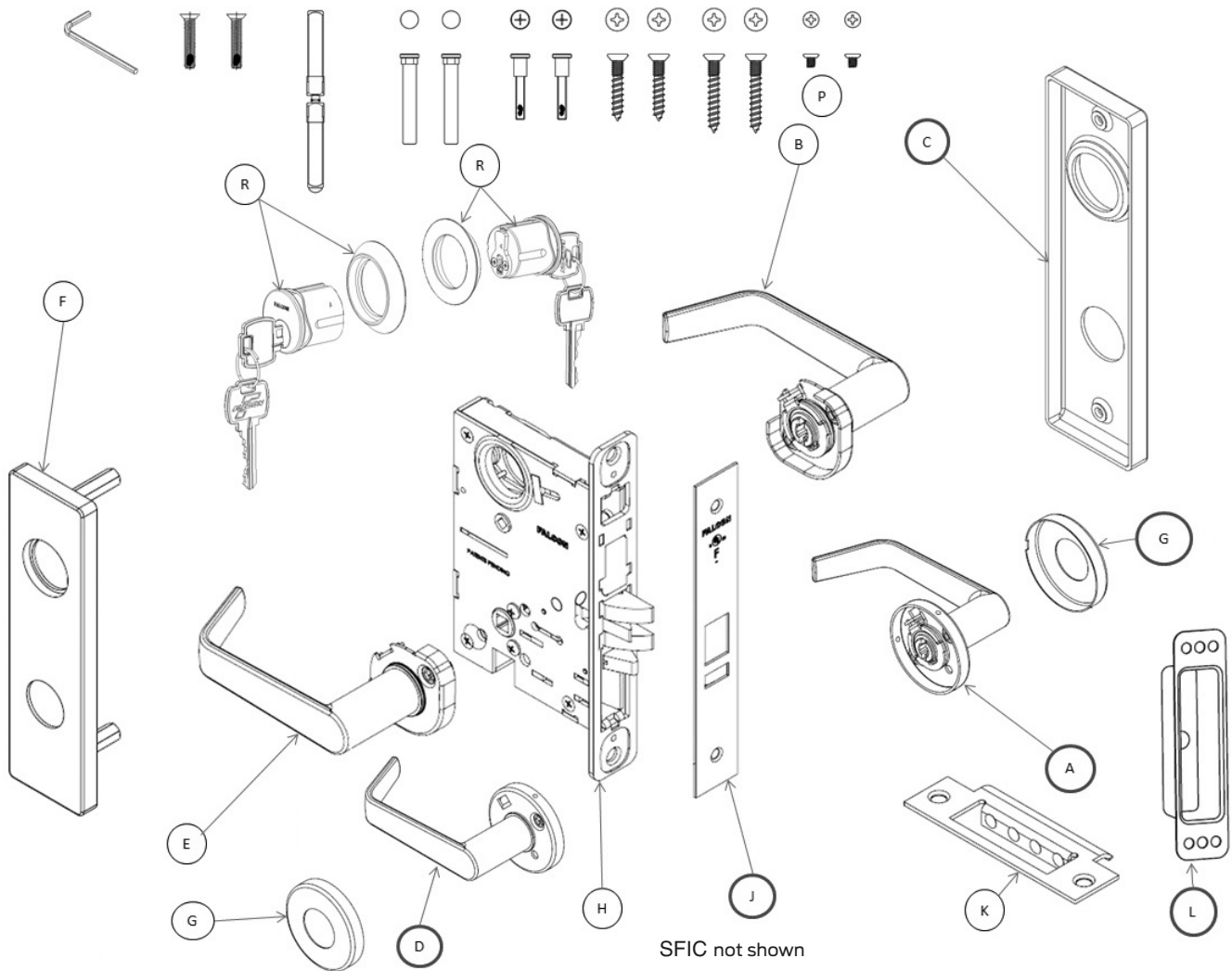
MA381 - Apartment, exit lock



| Ltr. | Description                |                       | Levers      |         |         |         |           |          |          |           | Knobs   |
|------|----------------------------|-----------------------|-------------|---------|---------|---------|-----------|----------|----------|-----------|---------|
|      |                            |                       | Dane        | Sutro   | Avalon  | Quantum | Boardwalk | Broadway | Latitude | Longitude | Hana    |
| A    | Inside trim                | Knob/lever sectional  | AS76280     | AS76526 | AS76029 | AS76140 | AS76310   | AS76321  | AS76360  | AS76760   | AS76100 |
| B    |                            | Knob/lever escutcheon | AE77280     | AE77526 | AE77029 | AE77140 | AE77310   | AE77321  | AE77360  | AE77760   | AE77100 |
| C    |                            | Escutcheon            | E77012-IC   |         |         |         |           |          |          |           |         |
| D    | Outside trim               | Knob/lever sectional  | AS76280     | AS76526 | AS76029 | AS76140 | AS76310   | AS76321  | AS76360  | AS76760   | AS76100 |
| E    |                            | Knob/lever escutcheon | AE77280     | AE77526 | AE77029 | AE77140 | AE77310   | AE77321  | AE77360  | AE77760   | AE77100 |
| F    |                            | Escutcheon            | AE77012-OC  |         |         |         |           |          |          |           |         |
| G    | Rose (2)                   |                       | S76012      |         |         |         |           |          |          |           |         |
| H    | Assembly, lock unit        |                       | A7809       |         |         |         |           |          |          |           |         |
| J    | Faceplate                  |                       | S77805      |         |         |         |           |          |          |           |         |
| K    | Strike assembly            |                       | A8737-X     |         |         |         |           |          |          |           |         |
| L    | Strike box                 |                       | PE1396      |         |         |         |           |          |          |           |         |
| P    | Screw pack                 |                       | See page 37 |         |         |         |           |          |          |           |         |
| R    | Cylinder, conventional (2) |                       | Q005-064    |         |         |         |           |          |          |           |         |
|      | Cylinder, SFIC (2)         |                       | Q005-065    |         |         |         |           |          |          |           |         |

Lock assemblies

MA411 - Asylum or institutional lock

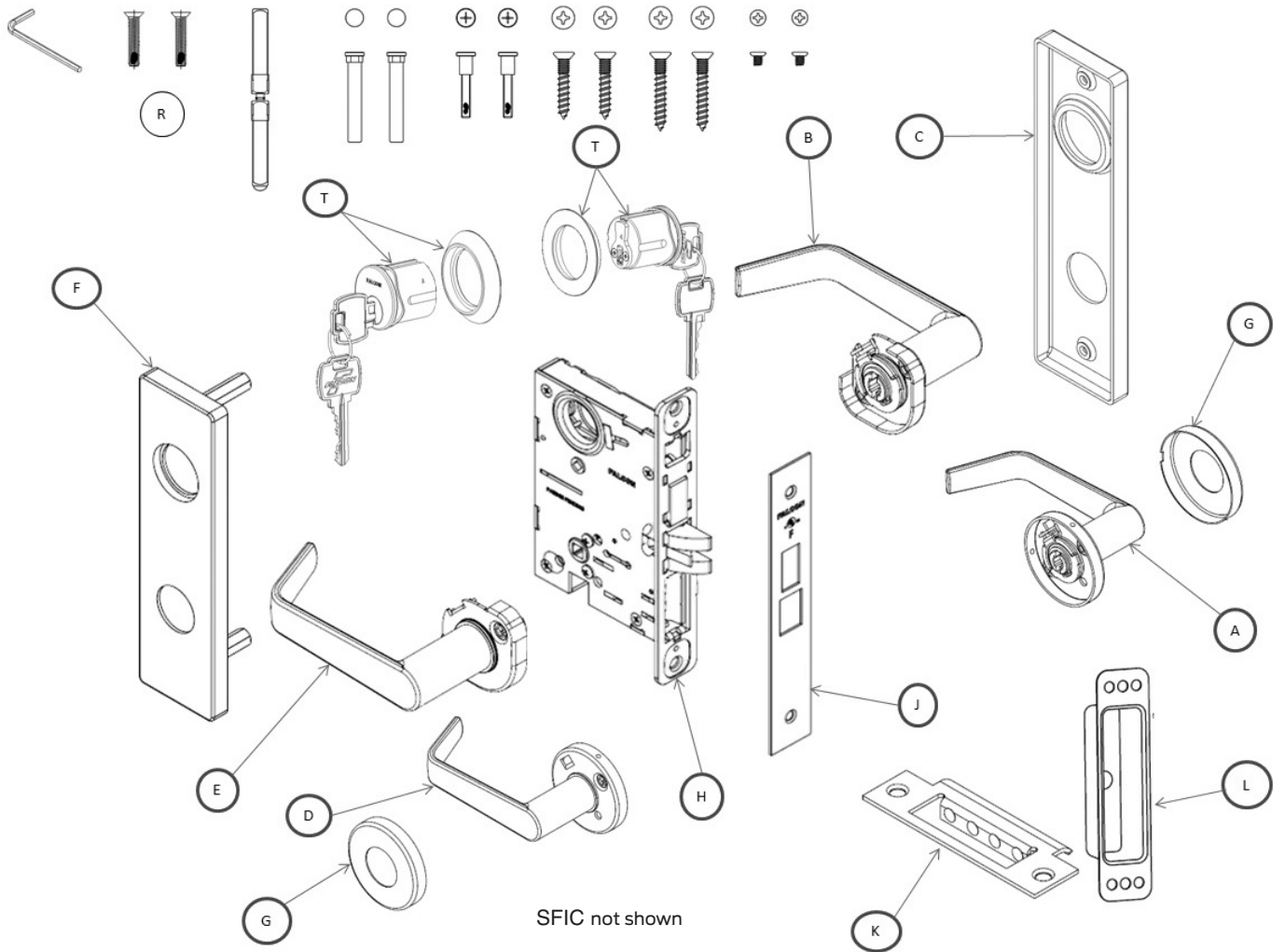


| Ltr. | Description                |                       | Levers      |         |         |         |           |          |          |           | Knobs   |
|------|----------------------------|-----------------------|-------------|---------|---------|---------|-----------|----------|----------|-----------|---------|
|      |                            |                       | Dane        | Sutro   | Avalon  | Quantum | Boardwalk | Broadway | Latitude | Longitude | Hana    |
| A    | Inside trim                | Knob/lever sectional  | AS76280     | AS76526 | AS76029 | AS76140 | AS76310   | AS76321  | AS76360  | AS76760   | AS76100 |
| B    |                            | Knob/lever escutcheon | AE77280     | AE77526 | AE77029 | AE77140 | AE77310   | AE77321  | AE77360  | AE77760   | AE77100 |
| C    |                            | Escutcheon            | E77012-IC   |         |         |         |           |          |          |           |         |
| D    | Outside trim               | Knob/lever sectional  | AS76280     | AS76526 | AS76029 | AS76140 | AS76310   | AS76321  | AS76360  | AS76760   | AS76100 |
| E    |                            | Knob/lever escutcheon | AE77280     | AE77526 | AE77029 | AE77140 | AE77310   | AE77321  | AE77360  | AE77760   | AE77100 |
| F    |                            | Escutcheon            | AE77012-OC  |         |         |         |           |          |          |           |         |
| G    | Rose (2)                   |                       | S76012      |         |         |         |           |          |          |           |         |
| H    | Assembly, lock unit        |                       | A7814       |         |         |         |           |          |          |           |         |
| J    | Faceplate                  |                       | S77819      |         |         |         |           |          |          |           |         |
| K    | Strike assembly            |                       | A8737-X     |         |         |         |           |          |          |           |         |
| L    | Strike box                 |                       | PE1396      |         |         |         |           |          |          |           |         |
| P    | Screw pack                 |                       | See page 37 |         |         |         |           |          |          |           |         |
| R    | Cylinder, conventional (2) |                       | Q005-064    |         |         |         |           |          |          |           |         |
|      | Cylinder, SFIC (2)         |                       | Q005-065    |         |         |         |           |          |          |           |         |



**Lock assemblies**

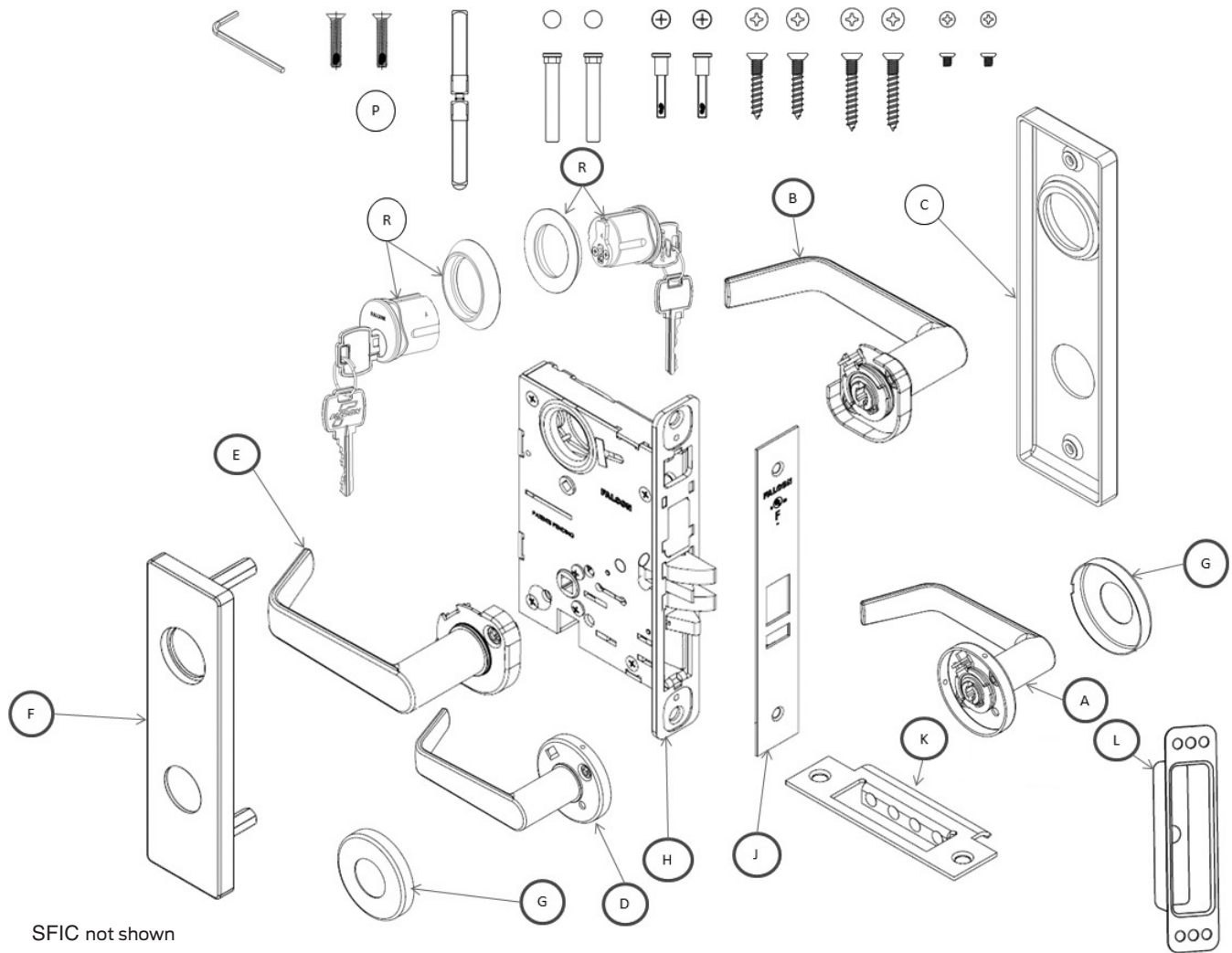
**MA431 - Classroom security lock with deadbolt**



| Ltr. | Description                | Levers                |            |         |         |           |          |          |           |         | Knobs   |
|------|----------------------------|-----------------------|------------|---------|---------|-----------|----------|----------|-----------|---------|---------|
|      |                            | Dane                  | Sutro      | Avalon  | Quantum | Boardwalk | Broadway | Latitude | Longitude | Hana    |         |
| A    | Inside trim                | Knob/lever sectional  | AS76280    | AS76526 | AS76029 | AS76140   | AS76310  | AS76321  | AS76360   | AS76760 | AS76100 |
| B    |                            | Knob/lever escutcheon | AE77280    | AE77526 | AE77029 | AE77140   | AE77310  | AE77321  | AE77360   | AE77760 | AE77100 |
| C    |                            | Escutcheon            | E77012-IC  |         |         |           |          |          |           |         |         |
| D    | Outside trim               | Knob/lever sectional  | AS76280    | AS76526 | AS76029 | AS76140   | AS76310  | AS76321  | AS76360   | AS76760 | AS76100 |
| E    |                            | Knob/lever escutcheon | AE77280    | AE77526 | AE77029 | AE77140   | AE77310  | AE77321  | AE77360   | AE77760 | AE77100 |
| F    |                            | Escutcheon            | AE77012-OC |         |         |           |          |          |           |         |         |
| G    | Rose (2)                   | S76012                |            |         |         |           |          |          |           |         |         |
| H    | Assembly, lock unit        | A7813                 |            |         |         |           |          |          |           |         |         |
| J    | Faceplate                  | S77819                |            |         |         |           |          |          |           |         |         |
| K    | Strike assembly            | A8737-X               |            |         |         |           |          |          |           |         |         |
| L    | Strike box                 | PE1396                |            |         |         |           |          |          |           |         |         |
| R    | Screw pack                 | See page 37           |            |         |         |           |          |          |           |         |         |
| T    | Cylinder, conventional (2) | Q005-064              |            |         |         |           |          |          |           |         |         |
|      | Cylinder, SFIC (2)         | Q005-065              |            |         |         |           |          |          |           |         |         |

Lock assemblies

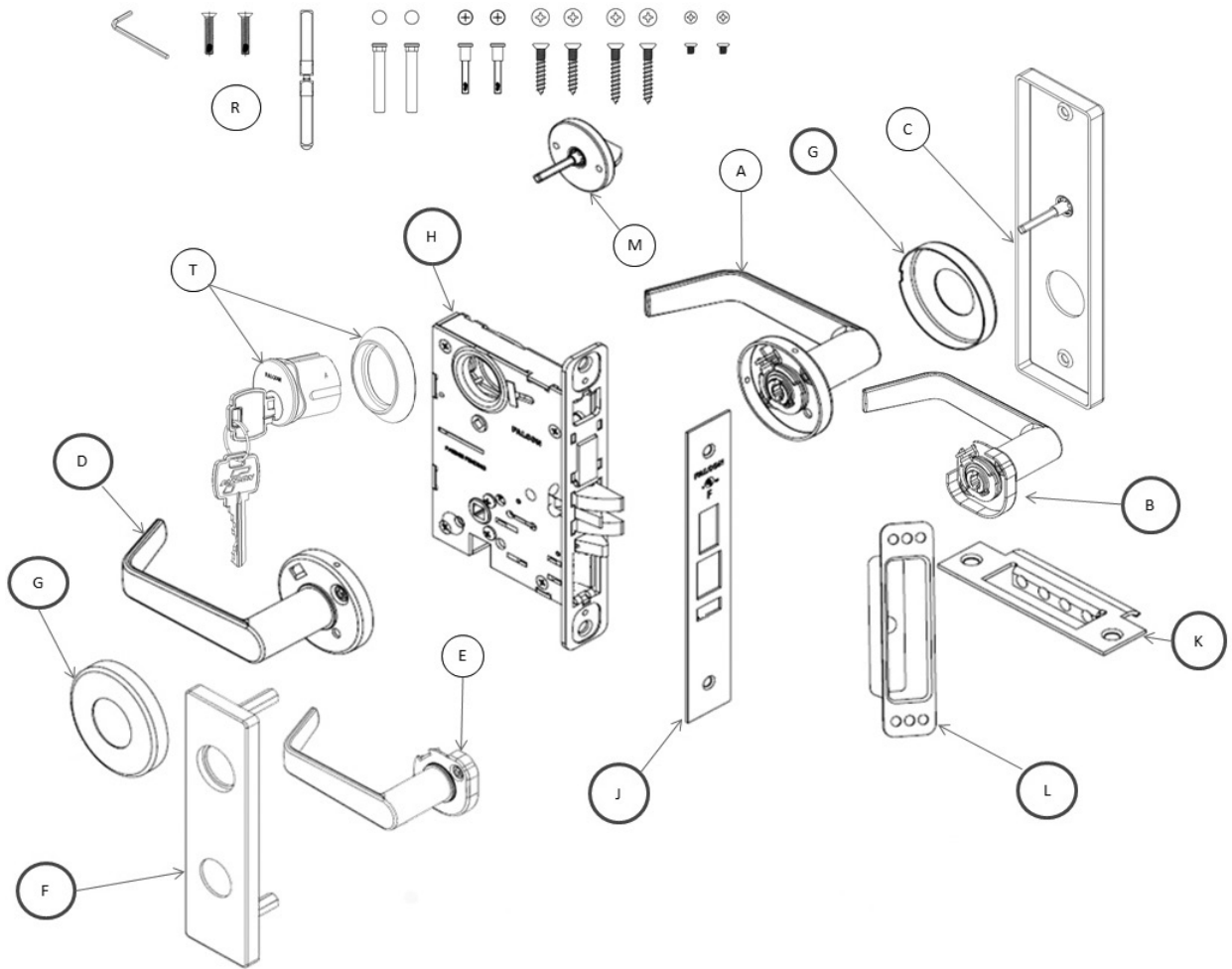
MA441 - Classroom security lock



| Ltr. | Description                |                       | Levers      |         |         |         |           |          |          |           | Knobs   |
|------|----------------------------|-----------------------|-------------|---------|---------|---------|-----------|----------|----------|-----------|---------|
|      |                            |                       | Dane        | Sutro   | Avalon  | Quantum | Boardwalk | Broadway | Latitude | Longitude | Hana    |
| A    | Inside trim                | Knob/lever sectional  | AS76280     | AS76526 | AS76029 | AS76140 | AS76310   | AS76321  | AS76360  | AS76760   | AS76100 |
| B    |                            | Knob/lever escutcheon | AE77280     | AE77526 | AE77029 | AE77140 | AE77310   | AE77321  | AE77360  | AE77760   | AE77100 |
| C    |                            | Escutcheon            | E77012-IC   |         |         |         |           |          |          |           |         |
| D    | Outside trim               | Knob/lever sectional  | AS76280     | AS76526 | AS76029 | AS76140 | AS76310   | AS76321  | AS76360  | AS76760   | AS76100 |
| E    |                            | Knob/lever escutcheon | AE77280     | AE77526 | AE77029 | AE77140 | AE77310   | AE77321  | AE77360  | AE77760   | AE77100 |
| F    |                            | Escutcheon            | AE77012-OC  |         |         |         |           |          |          |           |         |
| G    | Rose (2)                   |                       | S76012      |         |         |         |           |          |          |           |         |
| H    | Assembly, lock unit        |                       | A7805       |         |         |         |           |          |          |           |         |
| J    | Faceplate                  |                       | S77805      |         |         |         |           |          |          |           |         |
| K    | Strike assembly            |                       | A8737-X     |         |         |         |           |          |          |           |         |
| L    | Strike box                 |                       | PE1396      |         |         |         |           |          |          |           |         |
| P    | Screw pack                 |                       | See page 37 |         |         |         |           |          |          |           |         |
| R    | Cylinder, conventional (2) |                       | Q005-064    |         |         |         |           |          |          |           |         |
|      | Cylinder, SFIC (2)         |                       | Q005-065    |         |         |         |           |          |          |           |         |

Lock assemblies

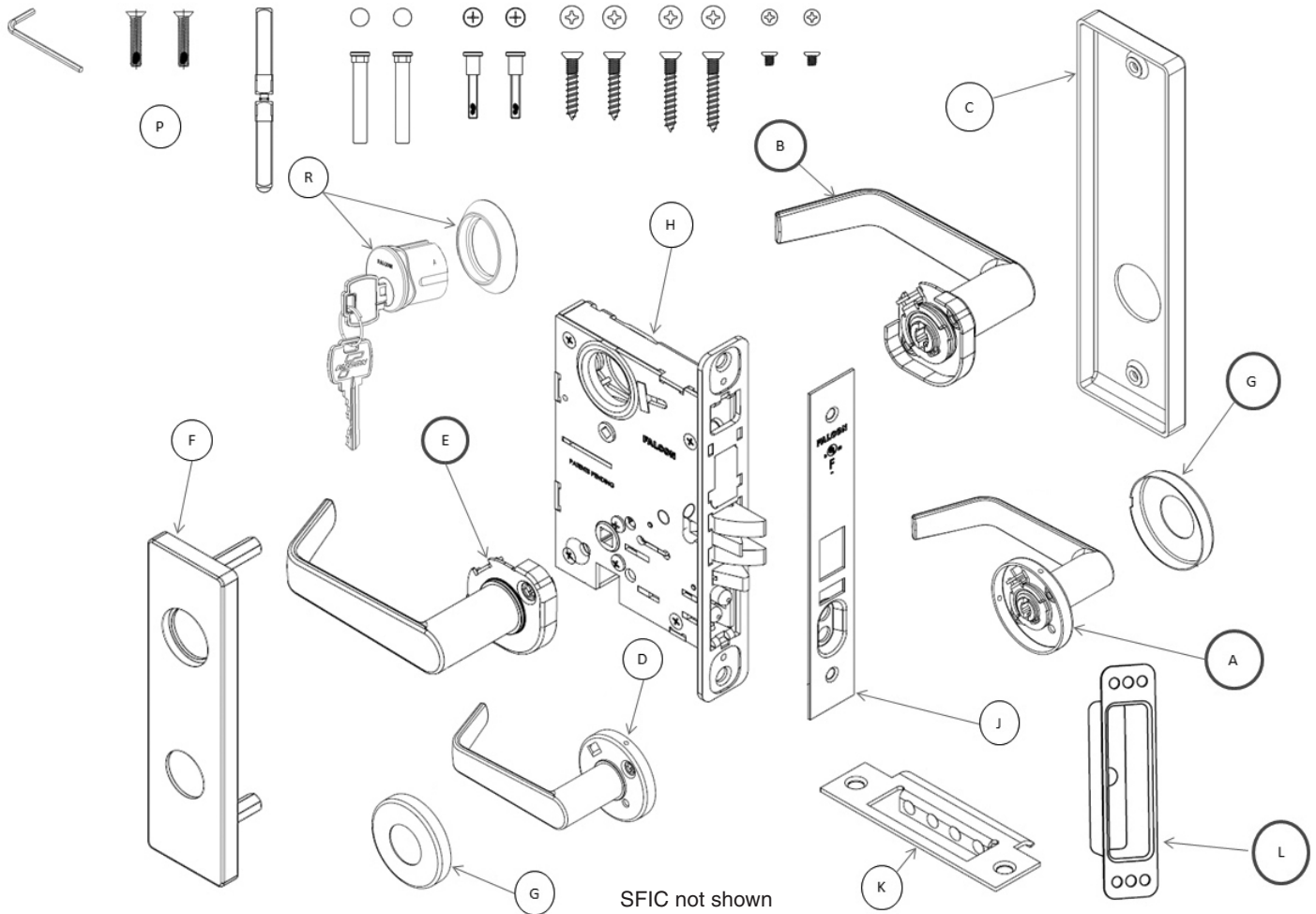
MA451 - Hotel guest lock



| Ltr. | Description            |                       | Levers      |         |         |         |           |          |          |           | Knobs   |
|------|------------------------|-----------------------|-------------|---------|---------|---------|-----------|----------|----------|-----------|---------|
|      |                        |                       | Dane        | Sutro   | Avalon  | Quantum | Boardwalk | Broadway | Latitude | Longitude | Hana    |
| A    | Inside trim            | Knob/lever sectional  | AS76280     | AS76526 | AS76029 | AS76140 | AS76310   | AS76321  | AS76360  | AS76760   | AS76100 |
| B    |                        | Knob/lever escutcheon | AE77280     | AE77526 | AE77029 | AE77140 | AE77310   | AE77321  | AE77360  | AE77760   | AE77100 |
| C    |                        | Escutcheon            | AE77012-IT  |         |         |         |           |          |          |           |         |
| D    | Outside trim           | Knob/lever sectional  | AS76280     | AS76526 | AS76029 | AS76140 | AS76310   | AS76321  | AS76360  | AS76760   | AS76100 |
| E    |                        | Knob/lever escutcheon | AE77280     | AE77526 | AE77029 | AE77140 | AE77310   | AE77321  | AE77360  | AE77760   | AE77100 |
| F    |                        | Escutcheon            | AE77012-OC  |         |         |         |           |          |          |           |         |
| G    | Rose (2)               |                       | S76012      |         |         |         |           |          |          |           |         |
| H    | Assembly, lock unit    |                       | A7815       |         |         |         |           |          |          |           |         |
| J    | Faceplate              |                       | S77815      |         |         |         |           |          |          |           |         |
| K    | Strike assembly        |                       | A8737-X     |         |         |         |           |          |          |           |         |
| L    | Strike box             |                       | PE1396      |         |         |         |           |          |          |           |         |
| M    | Thumb turn             |                       | AS76319     |         |         |         |           |          |          |           |         |
| R    | Screw pack             |                       | See page 37 |         |         |         |           |          |          |           |         |
| T    | Cylinder, conventional |                       | Q005-064    |         |         |         |           |          |          |           |         |
|      | Cylinder, SFIC         |                       | Q008-065    |         |         |         |           |          |          |           |         |

## Lock assemblies

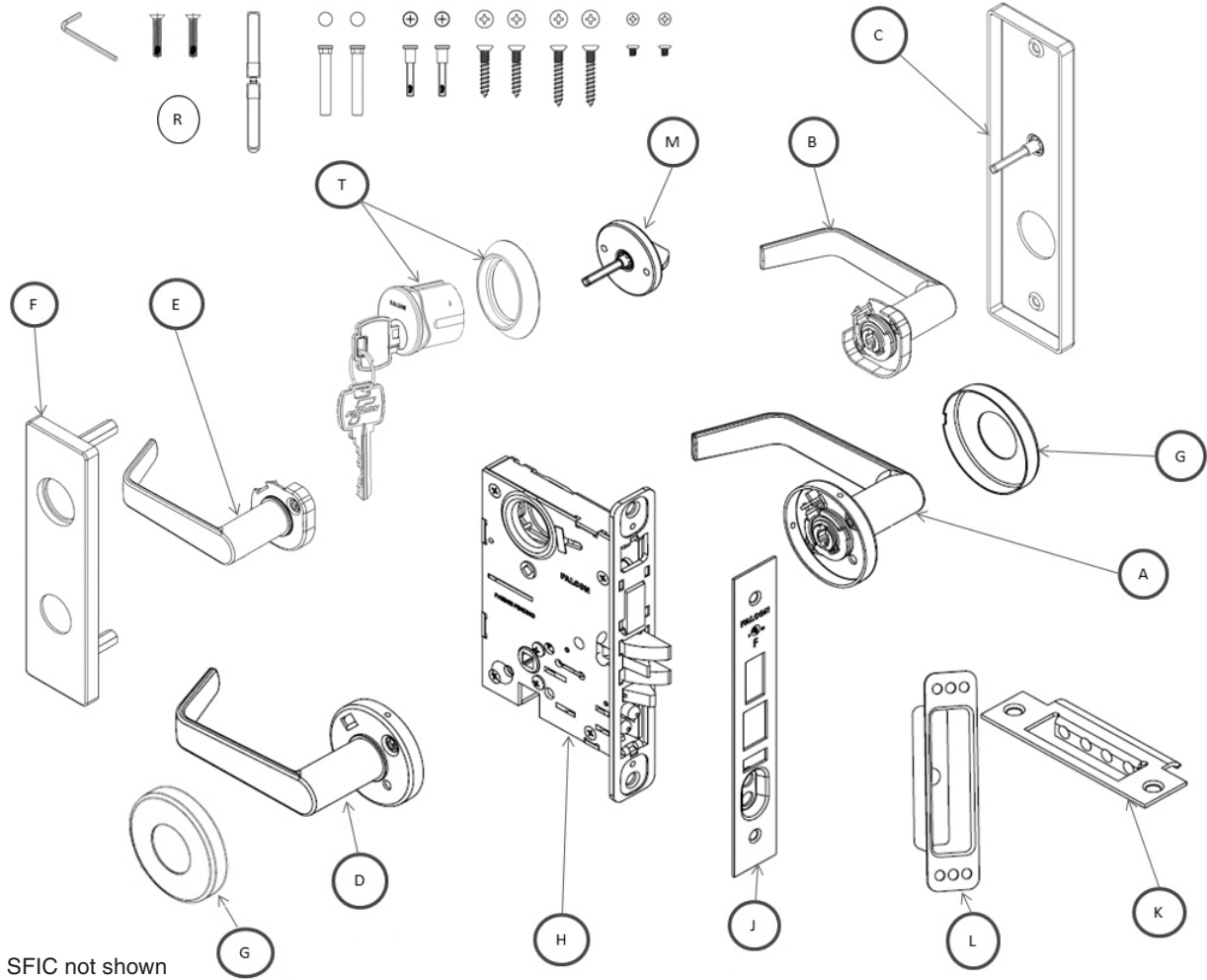
### MA521 - Entry/office lock



| Ltr. | Description            |                       | Levers      |         |         |         |           |          |          |           | Knobs   |
|------|------------------------|-----------------------|-------------|---------|---------|---------|-----------|----------|----------|-----------|---------|
|      |                        |                       | Dane        | Sutro   | Avalon  | Quantum | Boardwalk | Broadway | Latitude | Longitude | Hana    |
| A    | Inside trim            | Knob/lever sectional  | AS76280     | AS76526 | AS76029 | AS76140 | AS76310   | AS76321  | AS76360  | AS76760   | AS76100 |
| B    |                        | Knob/lever escutcheon | AE77280     | AE77526 | AE77029 | AE77140 | AE77310   | AE77321  | AE77360  | AE77760   | AE77100 |
| C    |                        | Escutcheon            | E77012-IP   |         |         |         |           |          |          |           |         |
| D    | Outside trim           | Knob/lever sectional  | AS76280     | AS76526 | AS76029 | AS76140 | AS76310   | AS76321  | AS76360  | AS76760   | AS76100 |
| E    |                        | Knob/lever escutcheon | AE77280     | AE77526 | AE77029 | AE77140 | AE77310   | AE77321  | AE77360  | AE77760   | AE77100 |
| F    |                        | Escutcheon            | AE77012-OC  |         |         |         |           |          |          |           |         |
| G    | Rose (2)               |                       | S76012      |         |         |         |           |          |          |           |         |
| H    | Assembly, lock unit    |                       | A7804       |         |         |         |           |          |          |           |         |
| J    | Faceplate              |                       | S77804      |         |         |         |           |          |          |           |         |
| K    | Strike assembly        |                       | A8737-X     |         |         |         |           |          |          |           |         |
| L    | Strike box             |                       | PE1396      |         |         |         |           |          |          |           |         |
| P    | Screw pack             |                       | See page 37 |         |         |         |           |          |          |           |         |
| R    | Cylinder, conventional |                       | Q005-064    |         |         |         |           |          |          |           |         |
|      | Cylinder, SFIC         |                       | Q005-065    |         |         |         |           |          |          |           |         |

**Lock assemblies**

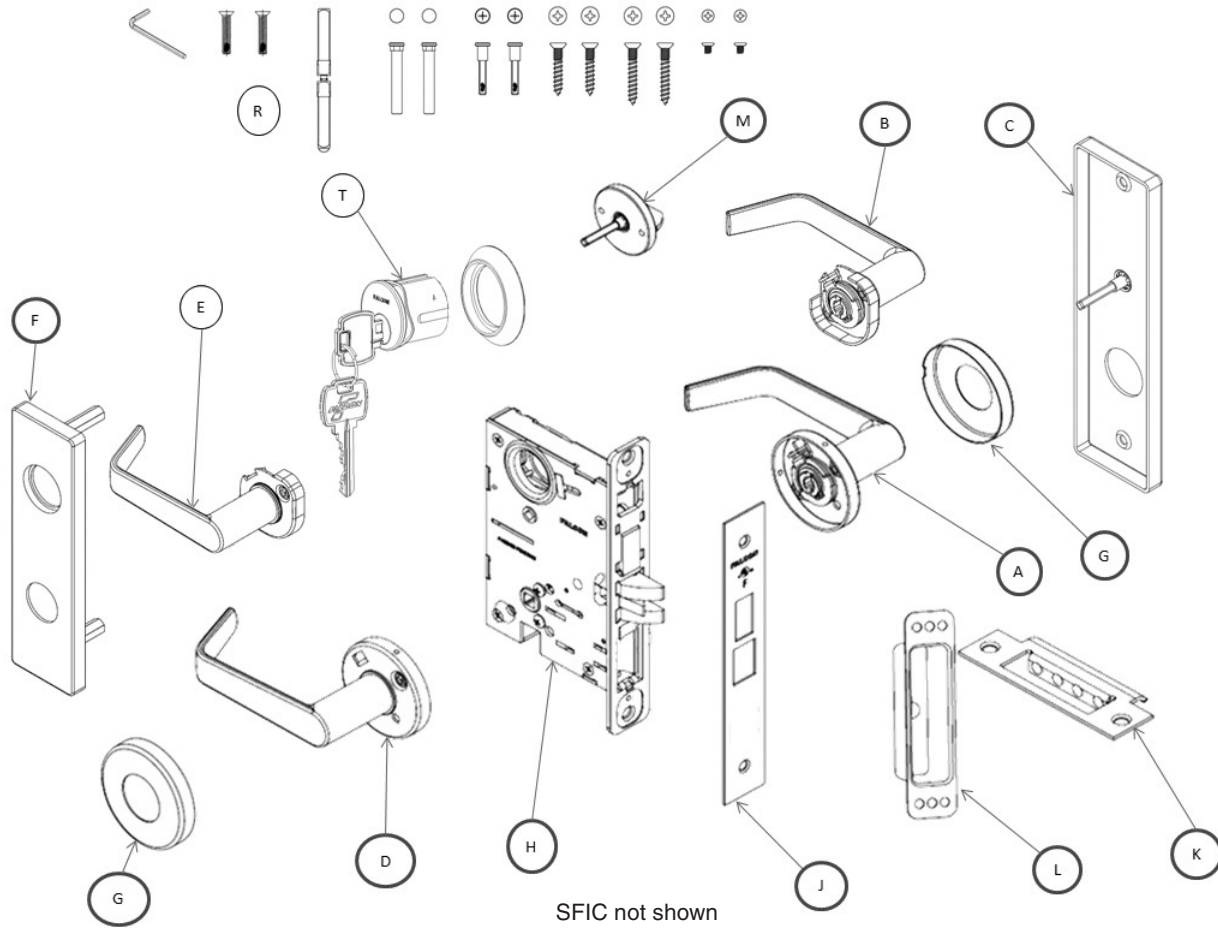
**MA531 - Apartment corridor door lock**



| Ltr. | Description            |                       | Levers      |         |         |         |           |          |          |           | Knobs   |
|------|------------------------|-----------------------|-------------|---------|---------|---------|-----------|----------|----------|-----------|---------|
|      |                        |                       | Dane        | Sutro   | Avalon  | Quantum | Boardwalk | Broadway | Latitude | Longitude | Hana    |
| A    | Inside trim            | Knob/lever sectional  | AS76280     | AS76526 | AS76029 | AS76140 | AS76310   | AS76321  | AS76360  | AS76760   | AS76100 |
| B    |                        | Knob/lever escutcheon | AE77280     | AE77526 | AE77029 | AE77140 | AE77310   | AE77321  | AE77360  | AE77760   | AE77100 |
| C    |                        | Escutcheon            | AE77012-IT  |         |         |         |           |          |          |           |         |
| D    | Outside trim           | Knob/lever sectional  | AS76280     | AS76526 | AS76029 | AS76140 | AS76310   | AS76321  | AS76360  | AS76760   | AS76100 |
| E    |                        | Knob/lever escutcheon | AE77280     | AE77526 | AE77029 | AE77140 | AE77310   | AE77321  | AE77360  | AE77760   | AE77100 |
| F    |                        | Escutcheon            | AE77012-OC  |         |         |         |           |          |          |           |         |
| G    | Rose (2)               |                       | S76012      |         |         |         |           |          |          |           |         |
| H    | Assembly, lock unit    |                       | A7820       |         |         |         |           |          |          |           |         |
| J    | Faceplate              |                       | S77820      |         |         |         |           |          |          |           |         |
| K    | Strike assembly        |                       | A8737-X     |         |         |         |           |          |          |           |         |
| L    | Strike box             |                       | PE1396      |         |         |         |           |          |          |           |         |
| M    | Thumb turn             |                       | AS76319     |         |         |         |           |          |          |           |         |
| R    | Screw pack             |                       | See page 37 |         |         |         |           |          |          |           |         |
| T    | Cylinder, conventional |                       | Q005-064    |         |         |         |           |          |          |           |         |
|      | Cylinder, SFIC         |                       | Q005-065    |         |         |         |           |          |          |           |         |

Lock assemblies

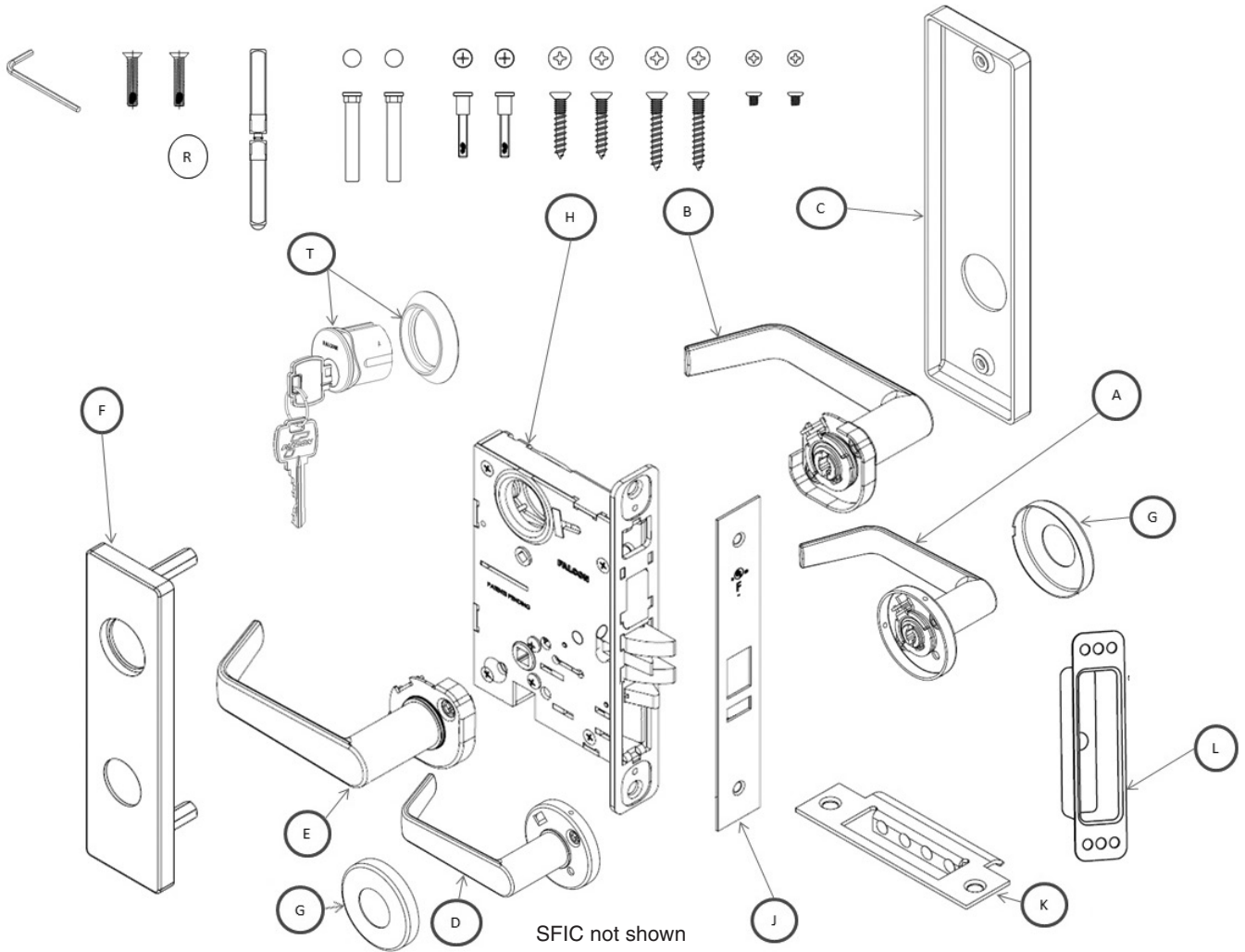
MA541 - Entry/office lock



| Ltr. | Description            |                       | Levers      |         |         |         |           |          |          |           | Knobs   |
|------|------------------------|-----------------------|-------------|---------|---------|---------|-----------|----------|----------|-----------|---------|
|      |                        |                       | Dane        | Sutro   | Avalon  | Quantum | Boardwalk | Broadway | Latitude | Longitude | Hana    |
| A    | Inside trim            | Knob/lever sectional  | AS76280     | AS76526 | AS76029 | AS76140 | AS76310   | AS76321  | AS76360  | AS76760   | AS76100 |
| B    |                        | Knob/lever escutcheon | AE77280     | AE77526 | AE77029 | AE77140 | AE77310   | AE77321  | AE77360  | AE77760   | AE77100 |
| C    |                        | Escutcheon            | AE77012-IT  |         |         |         |           |          |          |           |         |
| D    | Outside trim           | Knob/lever sectional  | AS76280     | AS76526 | AS76029 | AS76140 | AS76310   | AS76321  | AS76360  | AS76760   | AS76100 |
| E    |                        | Knob/lever escutcheon | AE77280     | AE77526 | AE77029 | AE77140 | AE77310   | AE77321  | AE77360  | AE77760   | AE77100 |
| F    |                        | Escutcheon            | AE77012-OC  |         |         |         |           |          |          |           |         |
| G    | Rose (2)               |                       | S76012      |         |         |         |           |          |          |           |         |
| H    | Assembly, lock unit    |                       | A7820       |         |         |         |           |          |          |           |         |
| J    | Faceplate              |                       | S77820      |         |         |         |           |          |          |           |         |
| K    | Strike assembly        |                       | A8737-X     |         |         |         |           |          |          |           |         |
| L    | Strike box             |                       | PE1396      |         |         |         |           |          |          |           |         |
| M    | Thumb turn             |                       | AS76319     |         |         |         |           |          |          |           |         |
| R    | Screw pack             |                       | See page 37 |         |         |         |           |          |          |           |         |
| T    | Cylinder, conventional |                       | Q005-064    |         |         |         |           |          |          |           |         |
|      | Cylinder, SFIC         |                       | Q005-065    |         |         |         |           |          |          |           |         |

Lock assemblies

MA551 - Holdback lock



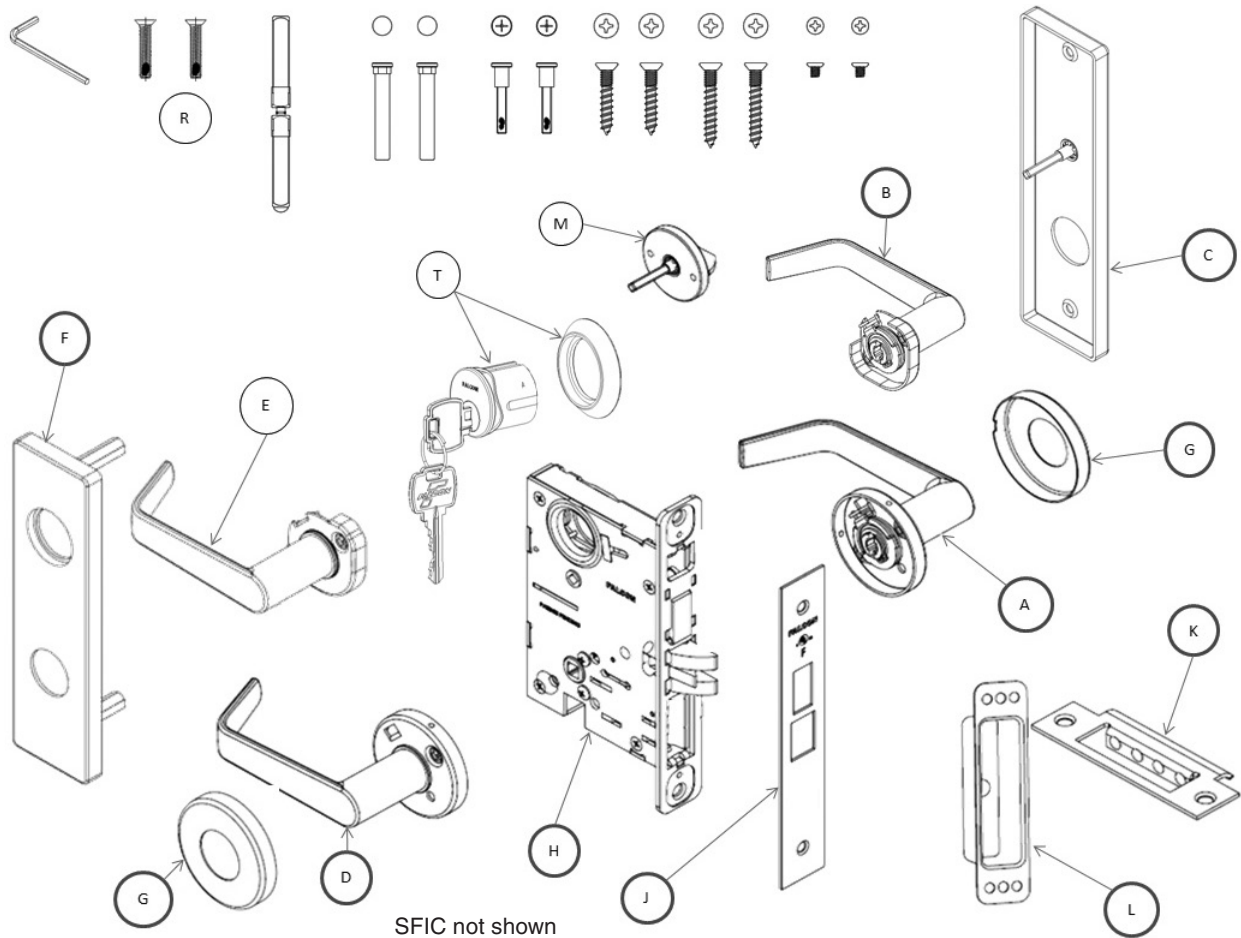
| Ltr. | Description               |                       | Levers      |         |         |         |           |          |          |           | Knobs   |
|------|---------------------------|-----------------------|-------------|---------|---------|---------|-----------|----------|----------|-----------|---------|
|      |                           |                       | Dane        | Sutro   | Avalon  | Quantum | Boardwalk | Broadway | Latitude | Longitude | Hana    |
| A    | Inside trim               | Knob/lever sectional  | AS76280     | AS76526 | AS76029 | AS76140 | AS76310   | AS76321  | AS76360  | AS76760   | AS76100 |
| B    |                           | Knob/lever escutcheon | AE77280     | AE77526 | AE77029 | AE77140 | AE77310   | AE77321  | AE77360  | AE77760   | AE77100 |
| C    |                           | Escutcheon            | E77012-IP   |         |         |         |           |          |          |           |         |
| D    | Outside trim              | Knob/lever sectional  | AS76280     | AS76526 | AS76029 | AS76140 | AS76310   | AS76321  | AS76360  | AS76760   | AS76100 |
| E    |                           | Knob/lever escutcheon | AE77280     | AE77526 | AE77029 | AE77140 | AE77310   | AE77321  | AE77360  | AE77760   | AE77100 |
| F    |                           | Escutcheon            | AE77012-OC  |         |         |         |           |          |          |           |         |
| G    | Rose (2)                  |                       | S76012      |         |         |         |           |          |          |           |         |
| H    | Assembly, lock unit       |                       | A7806       |         |         |         |           |          |          |           |         |
| J    | Faceplate                 |                       | S77805      |         |         |         |           |          |          |           |         |
| K    | Strike assembly           |                       | A8737-X     |         |         |         |           |          |          |           |         |
| L    | Strike box                |                       | PE1396      |         |         |         |           |          |          |           |         |
| P    | Handing instruction sheet |                       | Q513-069    |         |         |         |           |          |          |           |         |
| R    | Screw pack                |                       | See page 37 |         |         |         |           |          |          |           |         |
| T    | Cylinder, conventional    |                       | Q005-064    |         |         |         |           |          |          |           |         |
|      | Cylinder, SFIC            |                       | Q005-065    |         |         |         |           |          |          |           |         |





Lock assemblies

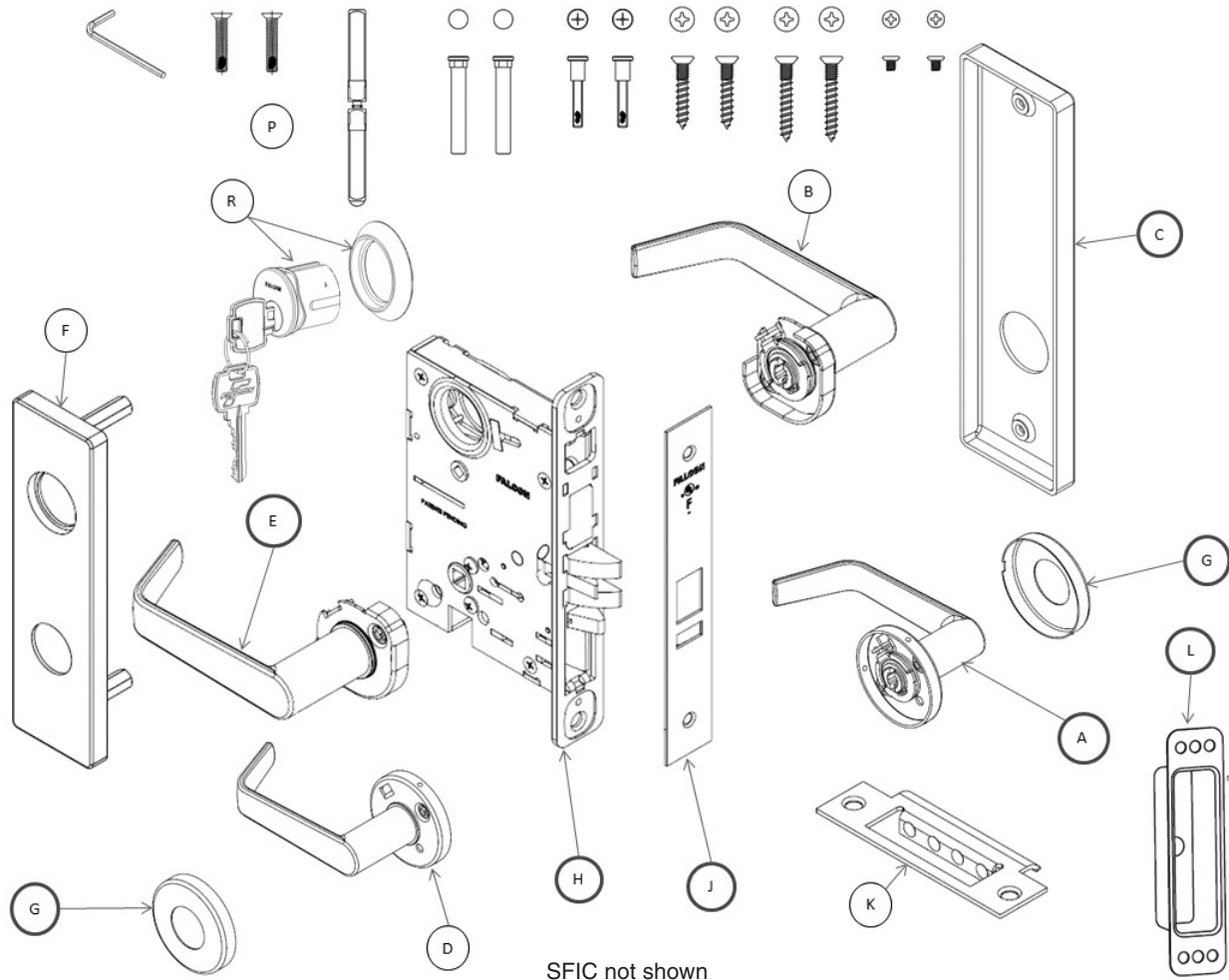
MA571 - Dormitory or exit lock



| Ltr. | Description            |                       | Levers      |         |         |         |           |          |          |           |         | Knobs |
|------|------------------------|-----------------------|-------------|---------|---------|---------|-----------|----------|----------|-----------|---------|-------|
|      |                        |                       | Dane        | Sutro   | Avalon  | Quantum | Boardwalk | Broadway | Latitude | Longitude | Hana    |       |
| A    | Inside trim            | Knob/lever sectional  | AS76280     | AS76526 | AS76029 | AS76140 | AS76310   | AS76321  | AS76360  | AS76760   | AS76100 |       |
| B    |                        | Knob/lever escutcheon | AE77280     | AE77526 | AE77029 | AE77140 | AE77310   | AE77321  | AE77360  | AE77760   | AE77100 |       |
| C    |                        | Escutcheon            | AE77012-IT  |         |         |         |           |          |          |           |         |       |
| D    | Outside trim           | Knob/lever sectional  | AS76280     | AS76526 | AS76029 | AS76140 | AS76310   | AS76321  | AS76360  | AS76760   | AS76100 |       |
| E    |                        | Knob/lever escutcheon | AE77280     | AE77526 | AE77029 | AE77140 | AE77310   | AE77321  | AE77360  | AE77760   | AE77100 |       |
| F    |                        | Escutcheon            | AE77012-OC  |         |         |         |           |          |          |           |         |       |
| G    | Rose (2)               |                       | S76012      |         |         |         |           |          |          |           |         |       |
| H    | Assembly, lock unit    |                       | A7813       |         |         |         |           |          |          |           |         |       |
| J    | Faceplate              |                       | S77819      |         |         |         |           |          |          |           |         |       |
| K    | Strike assembly        |                       | A8737-X     |         |         |         |           |          |          |           |         |       |
| L    | Strike box             |                       | PE1396      |         |         |         |           |          |          |           |         |       |
| M    | Thumb turn             |                       | AS76319     |         |         |         |           |          |          |           |         |       |
| R    | Screw pack             |                       | See page 37 |         |         |         |           |          |          |           |         |       |
| T    | Cylinder, conventional |                       | Q005-064    |         |         |         |           |          |          |           |         |       |
|      | Cylinder, SFIC         |                       | Q005-065    |         |         |         |           |          |          |           |         |       |

Lock assemblies

MA581 - Storeroom lock

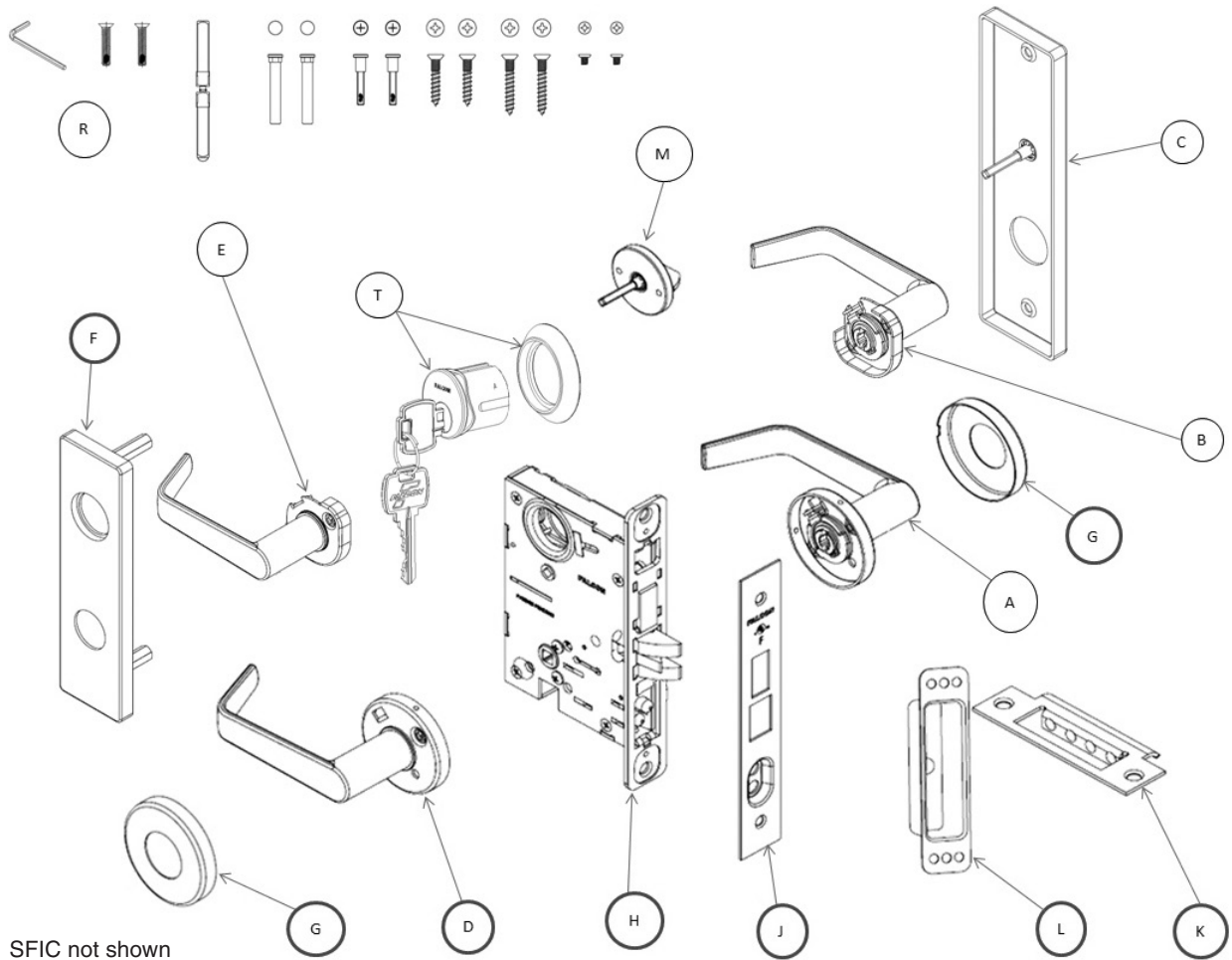


SFIC not shown

| Ltr. | Description            |                       | Levers      |         |         |         |           |          |          |           | Knobs   |
|------|------------------------|-----------------------|-------------|---------|---------|---------|-----------|----------|----------|-----------|---------|
|      |                        |                       | Dane        | Sutro   | Avalon  | Quantum | Boardwalk | Broadway | Latitude | Longitude | Hana    |
| A    | Inside trim            | Knob/lever sectional  | AS76280     | AS76526 | AS76029 | AS76140 | AS76310   | AS76321  | AS76360  | AS76760   | AS76100 |
| B    |                        | Knob/lever escutcheon | AE77280     | AE77526 | AE77029 | AE77140 | AE77310   | AE77321  | AE77360  | AE77760   | AE77100 |
| C    |                        | Escutcheon            | E77012-IP   |         |         |         |           |          |          |           |         |
| D    | Outside trim           | Knob/lever sectional  | AS76280     | AS76526 | AS76029 | AS76140 | AS76310   | AS76321  | AS76360  | AS76760   | AS76100 |
| E    |                        | Knob/lever escutcheon | AE77280     | AE77526 | AE77029 | AE77140 | AE77310   | AE77321  | AE77360  | AE77760   | AE77100 |
| F    |                        | Escutcheon            | AE77012-OC  |         |         |         |           |          |          |           |         |
| G    | Rose (2)               |                       | S76012      |         |         |         |           |          |          |           |         |
| H    | Assembly, lock unit    |                       | A7807       |         |         |         |           |          |          |           |         |
| J    | Faceplate              |                       | S77805      |         |         |         |           |          |          |           |         |
| K    | Strike assembly        |                       | A8737-X     |         |         |         |           |          |          |           |         |
| L    | Strike box             |                       | PE1396      |         |         |         |           |          |          |           |         |
| P    | Screw pack             |                       | See page 37 |         |         |         |           |          |          |           |         |
| R    | Cylinder, conventional |                       | Q005-064    |         |         |         |           |          |          |           |         |
|      | Cylinder, SFIC         |                       | Q005-065    |         |         |         |           |          |          |           |         |

Lock assemblies

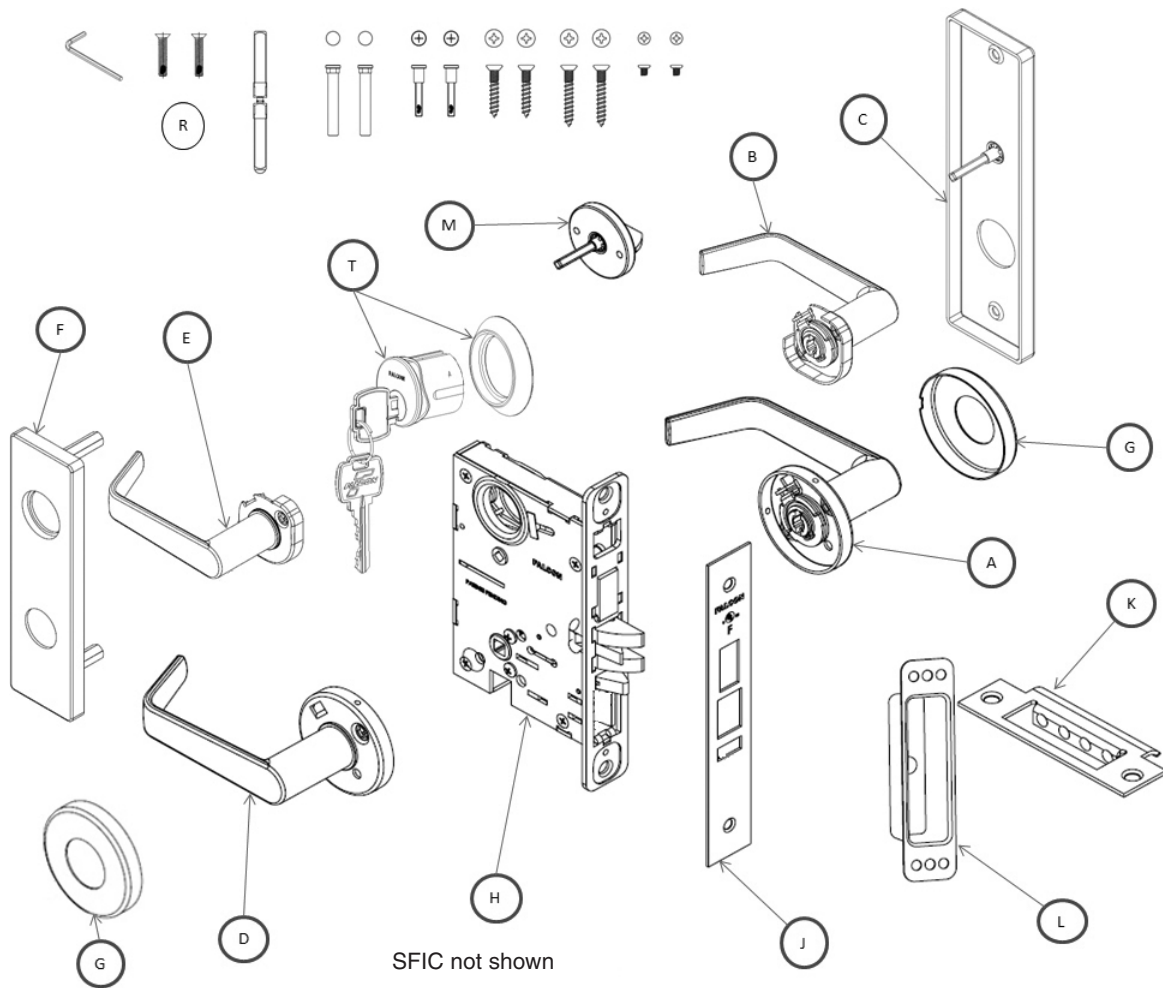
MA621 - Apartment corridor lock



| Ltr. | Description            |                       | Levers      |         |         |         |           |          |          |           | Knobs   |
|------|------------------------|-----------------------|-------------|---------|---------|---------|-----------|----------|----------|-----------|---------|
|      |                        |                       | Dane        | Sutro   | Avalon  | Quantum | Boardwalk | Broadway | Latitude | Longitude | Hana    |
| A    | Inside trim            | Knob/lever sectional  | AS76280     | AS76526 | AS76029 | AS76140 | AS76310   | AS76321  | AS76360  | AS76760   | AS76100 |
| B    |                        | Knob/lever escutcheon | AE77280     | AE77526 | AE77029 | AE77140 | AE77310   | AE77321  | AE77360  | AE77760   | AE77100 |
| C    |                        | Escutcheon            | AE77012-IT  |         |         |         |           |          |          |           |         |
| D    | Outside trim           | Knob/lever sectional  | AS76280     | AS76526 | AS76029 | AS76140 | AS76310   | AS76321  | AS76360  | AS76760   | AS76100 |
| E    |                        | Knob/lever escutcheon | AE77280     | AE77526 | AE77029 | AE77140 | AE77310   | AE77321  | AE77360  | AE77760   | AE77100 |
| F    |                        | Escutcheon            | AE77012-OC  |         |         |         |           |          |          |           |         |
| G    | Rose (2)               |                       | S76012      |         |         |         |           |          |          |           |         |
| H    | Assembly, lock unit    |                       | A7808       |         |         |         |           |          |          |           |         |
| J    | Faceplate              |                       | S77811      |         |         |         |           |          |          |           |         |
| K    | Strike assembly        |                       | A8737-X     |         |         |         |           |          |          |           |         |
| L    | Strike box             |                       | PE1396      |         |         |         |           |          |          |           |         |
| M    | Thumb turn             |                       | AS76319     |         |         |         |           |          |          |           |         |
| R    | Screw pack             |                       | See page 37 |         |         |         |           |          |          |           |         |
| T    | Cylinder, conventional |                       | Q005-064    |         |         |         |           |          |          |           |         |
|      | Cylinder, SFIC         |                       | Q005-065    |         |         |         |           |          |          |           |         |

## Lock assemblies

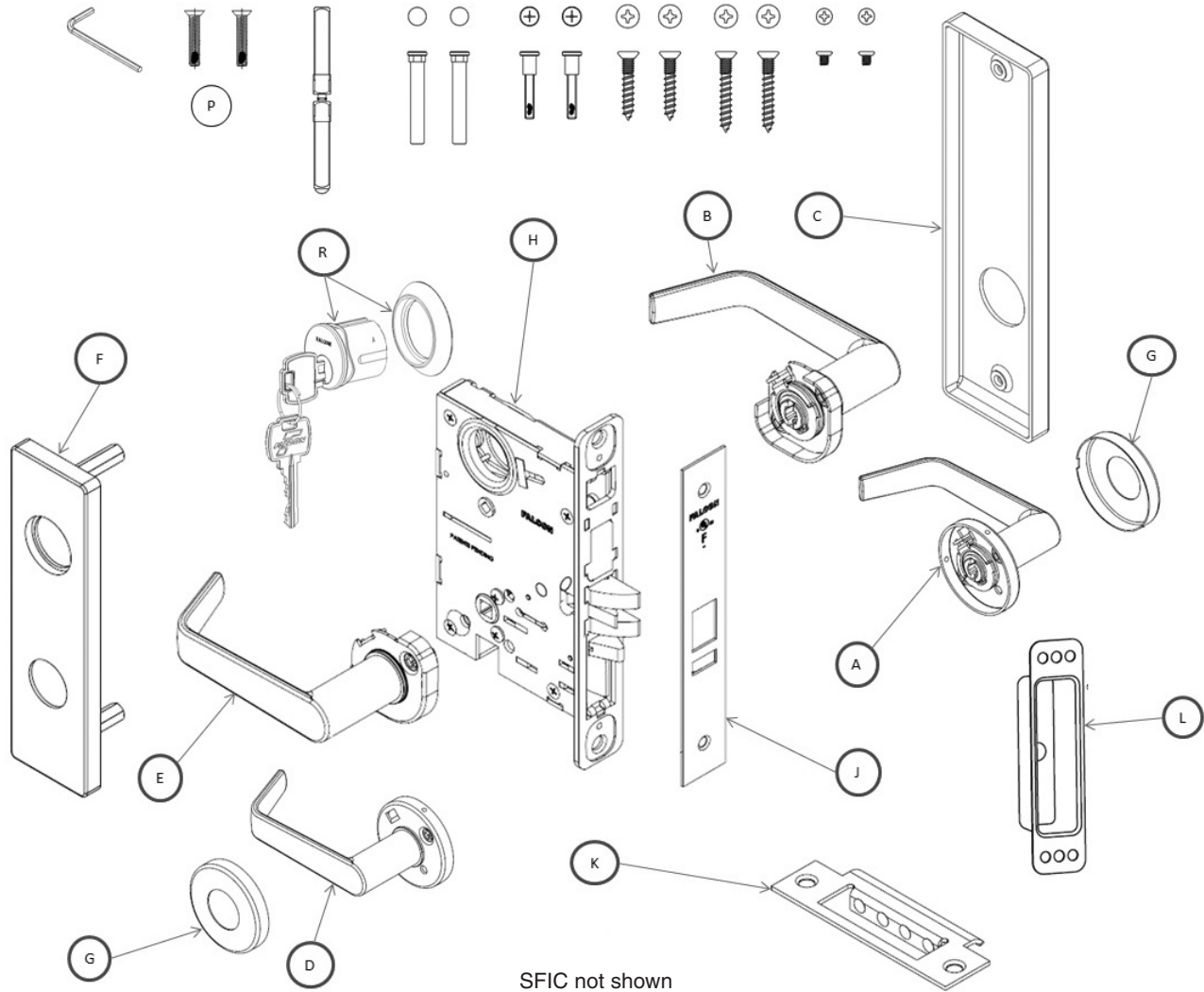
### MA641 - Dormitory lock



| Ltr. | Description            |                       | Levers      |         |         |         |           |          |          |           | Knobs   |
|------|------------------------|-----------------------|-------------|---------|---------|---------|-----------|----------|----------|-----------|---------|
|      |                        |                       | Dane        | Sutro   | Avalon  | Quantum | Boardwalk | Broadway | Latitude | Longitude | Hana    |
| A    | Inside trim            | Knob/lever sectional  | AS76280     | AS76526 | AS76029 | AS76140 | AS76310   | AS76321  | AS76360  | AS76760   | AS76100 |
| B    |                        | Knob/lever escutcheon | AE77280     | AE77526 | AE77029 | AE77140 | AE77310   | AE77321  | AE77360  | AE77760   | AE77100 |
| C    |                        | Escutcheon            | AE77012-IT  |         |         |         |           |          |          |           |         |
| D    | Outside trim           | Knob/lever sectional  | AS76280     | AS76526 | AS76029 | AS76140 | AS76310   | AS76321  | AS76360  | AS76760   | AS76100 |
| E    |                        | Knob/lever escutcheon | AE77280     | AE77526 | AE77029 | AE77140 | AE77310   | AE77321  | AE77360  | AE77760   | AE77100 |
| F    |                        | Escutcheon            | AE77012-OC  |         |         |         |           |          |          |           |         |
| G    | Rose (2)               |                       | S76012      |         |         |         |           |          |          |           |         |
| H    | Assembly, lock unit    |                       | A7815       |         |         |         |           |          |          |           |         |
| J    | Faceplate              |                       | S77815      |         |         |         |           |          |          |           |         |
| K    | Strike assembly        |                       | A8737-X     |         |         |         |           |          |          |           |         |
| L    | Strike box             |                       | PE1396      |         |         |         |           |          |          |           |         |
| M    | Thumb turn             |                       | AS76319     |         |         |         |           |          |          |           |         |
| R    | Screw pack             |                       | See page 37 |         |         |         |           |          |          |           |         |
| T    | Cylinder, conventional |                       | Q005-064    |         |         |         |           |          |          |           |         |
|      | Cylinder, SFIC         |                       | Q005-065    |         |         |         |           |          |          |           |         |

**Lock assemblies**

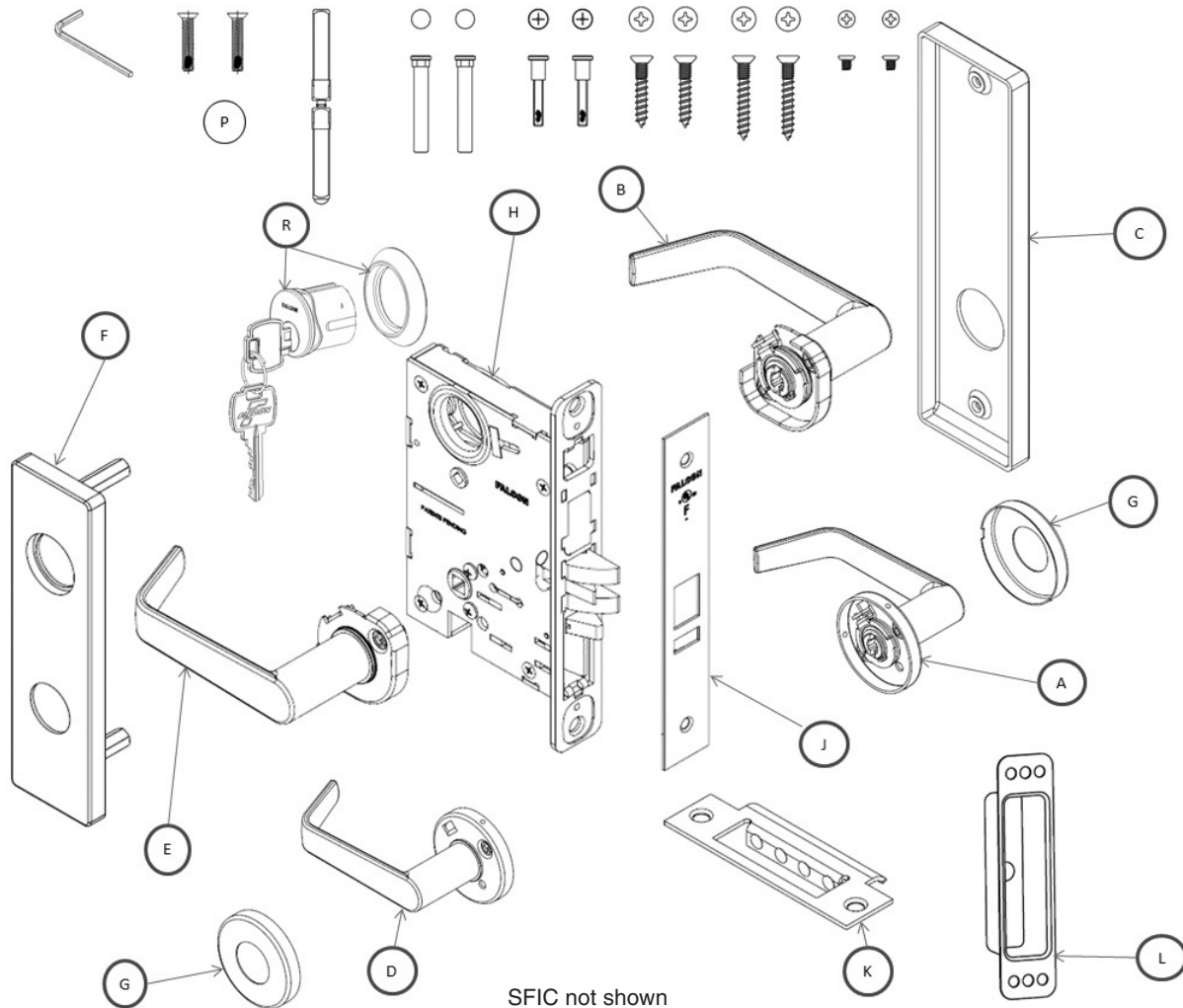
MA851 - Electrified fail safe (EL) - 12 or 24V, with or without RX



| Ltr. | Description            |                       | Levers                                     |         |         |         |           |          |          |           | Knobs   |
|------|------------------------|-----------------------|--|---------|---------|---------|-----------|----------|----------|-----------|---------|
|      |                        |                       | Dane                                       | Sutro   | Avalon  | Quantum | Boardwalk | Broadway | Latitude | Longitude | Hana    |
| A    | Inside trim            | Knob/lever sectional  | AS76280                                    | AS76526 | AS76029 | AS76140 | AS76310   | AS76321  | AS76360  | AS76760   | AS76100 |
| B    |                        | Knob/lever escutcheon | AE77280                                    | AE77526 | AE77029 | AE77140 | AE77310   | AE77321  | AE77360  | AE77760   | AE77100 |
| C    |                        | Escutcheon            | E77012-IP                                  |         |         |         |           |          |          |           |         |
| D    | Outside trim           | Knob/lever sectional  | AS76280                                    | AS76526 | AS76029 | AS76140 | AS76310   | AS76321  | AS76360  | AS76760   | AS76100 |
| E    |                        | Knob/lever escutcheon | AE77280                                    | AE77526 | AE77029 | AE77140 | AE77310   | AE77321  | AE77360  | AE77760   | AE77100 |
| F    |                        | Escutcheon            | AE77012-OC                                 |         |         |         |           |          |          |           |         |
| G    | Rose (2)               |                       | S76012                                     |         |         |         |           |          |          |           |         |
| H    | Assembly, lock unit    |                       | A7851-12, A7851-12RX, A7851-24, A7851-24RX |         |         |         |           |          |          |           |         |
| J    | Faceplate              |                       | S77805                                     |         |         |         |           |          |          |           |         |
| K    | Strike assembly        |                       | A8737-X                                    |         |         |         |           |          |          |           |         |
| L    | Strike box             |                       | PE1396                                     |         |         |         |           |          |          |           |         |
| P    | Screw pack             |                       | See page 37                                |         |         |         |           |          |          |           |         |
| R    | Cylinder, conventional |                       | Q005-064                                   |         |         |         |           |          |          |           |         |
|      | Cylinder, SFIC         |                       | Q005-065                                   |         |         |         |           |          |          |           |         |

## Lock assemblies

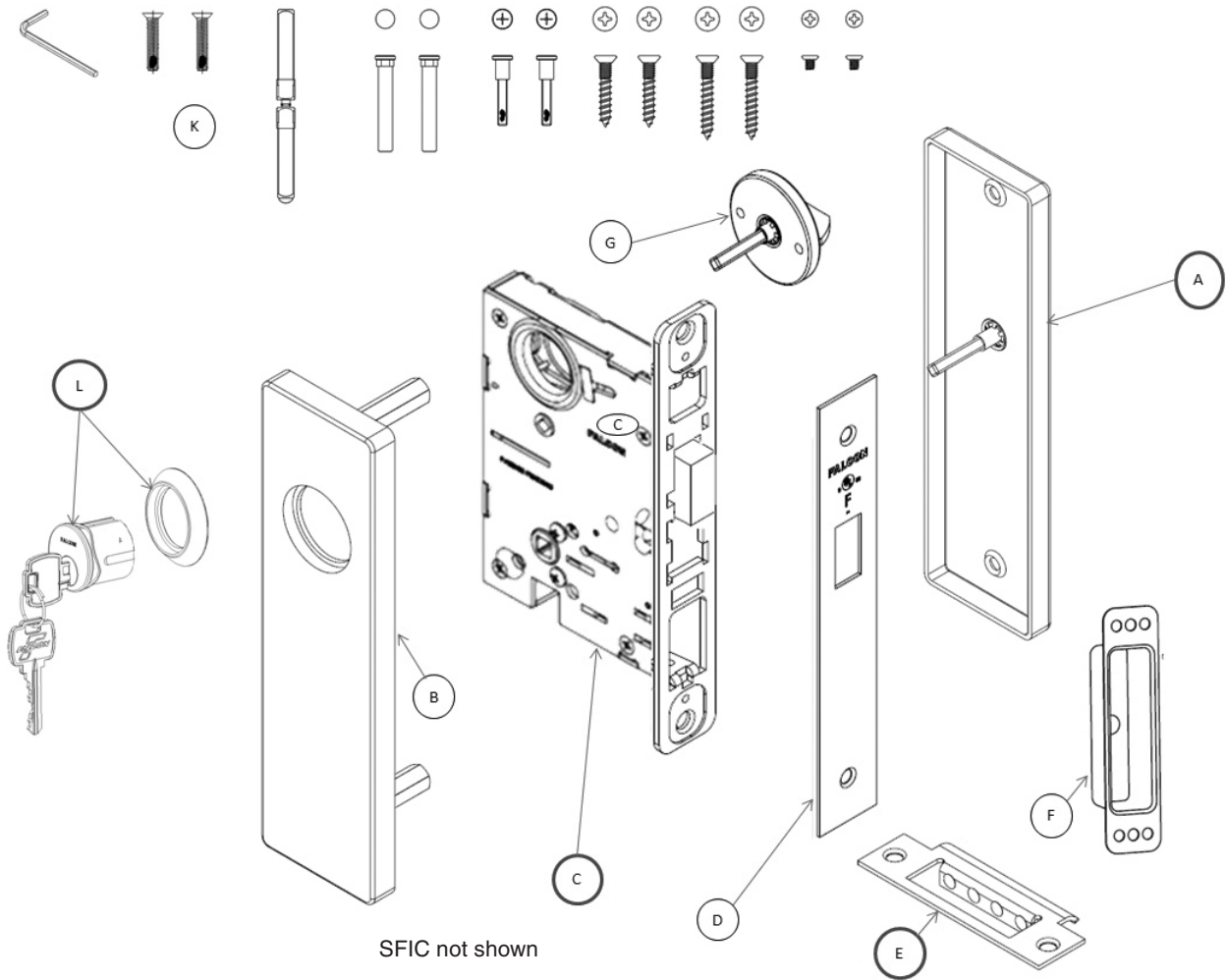
### MA881 - Electrified fail secure (EU) - 12 or 24V, with or without RX



| Ltr. | Description            |                       | Levers                                     |         |         |         |           |          |          |           | Knobs   |
|------|------------------------|-----------------------|--|---------|---------|---------|-----------|----------|----------|-----------|---------|
|      |                        |                       | Dane                                       | Sutro   | Avalon  | Quantum | Boardwalk | Broadway | Latitude | Longitude | Hana    |
| A    | Inside trim            | Knob/lever sectional  | AS76280                                    | AS76526 | AS76029 | AS76140 | AS76310   | AS76321  | AS76360  | AS76760   | AS76100 |
| B    |                        | Knob/lever escutcheon | AE77280                                    | AE77526 | AE77029 | AE77140 | AE77310   | AE77321  | AE77360  | AE77760   | AE77100 |
| C    |                        | Escutcheon            | E77012-IP                                  |         |         |         |           |          |          |           |         |
| D    | Outside trim           | Knob/lever sectional  | AS76280                                    | AS76526 | AS76029 | AS76140 | AS76310   | AS76321  | AS76360  | AS76760   | AS76100 |
| E    |                        | Knob/lever escutcheon | AE77280                                    | AE77526 | AE77029 | AE77140 | AE77310   | AE77321  | AE77360  | AE77760   | AE77100 |
| F    |                        | Escutcheon            | AE77012-OC                                 |         |         |         |           |          |          |           |         |
| G    | Rose (2)               |                       | S76012                                     |         |         |         |           |          |          |           |         |
| H    | Assembly, lock unit    |                       | A7881-12, A7881-12RX, A7881-24, A7881-24RX |         |         |         |           |          |          |           |         |
| J    | Faceplate              |                       | S77805                                     |         |         |         |           |          |          |           |         |
| K    | Strike assembly        |                       | A8737-X                                    |         |         |         |           |          |          |           |         |
| L    | Strike box             |                       | PE1396                                     |         |         |         |           |          |          |           |         |
| R    | Screw pack             |                       | See page 37                                |         |         |         |           |          |          |           |         |
| T    | Cylinder, conventional |                       | Q005-064                                   |         |         |         |           |          |          |           |         |
|      | Cylinder, SFIC         |                       | Q005-065                                   |         |         |         |           |          |          |           |         |

**Lock assemblies**

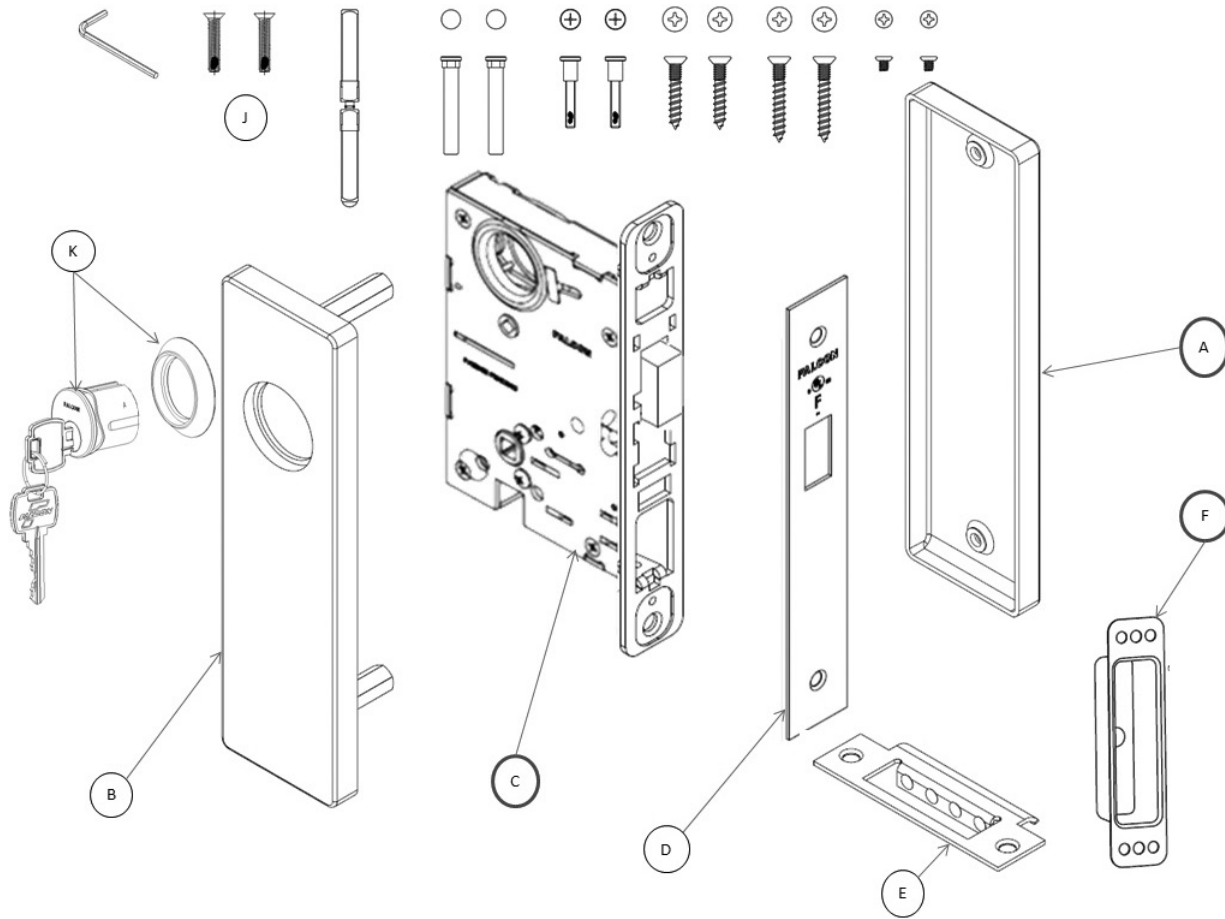
**MA911 - Classroom dead lock**



| Ltr. | Description            |                       | Levers      |       |        |         |           |          |          |           | Knobs |
|------|------------------------|-----------------------|-------------|-------|--------|---------|-----------|----------|----------|-----------|-------|
|      |                        |                       | Dane        | Sutro | Avalon | Quantum | Boardwalk | Broadway | Latitude | Longitude | Hana  |
| -    | Inside trim            | Knob/lever sectional  | N/R         | N/R   | N/R    | N/R     | N/R       | N/R      | N/R      | N/R       | N/R   |
| -    |                        | Knob/lever escutcheon | N/R         | N/R   | N/R    | N/R     | N/R       | N/R      | N/R      | N/R       | N/R   |
| A    |                        | Escutcheon            | AE77012-IE  |       |        |         |           |          |          |           |       |
| -    | Outside trim           | Knob/lever sectional  | N/R         | N/R   | N/R    | N/R     | N/R       | N/R      | N/R      | N/R       | N/R   |
| -    |                        | Knob/lever escutcheon | N/R         | N/R   | N/R    | N/R     | N/R       | N/R      | N/R      | N/R       | N/R   |
| B    |                        | Escutcheon            | AE77012-OK  |       |        |         |           |          |          |           |       |
| C    | Assembly, lock unit    |                       | A7829       |       |        |         |           |          |          |           |       |
| D    | Faceplate              |                       | S77816      |       |        |         |           |          |          |           |       |
| E    | Strike assembly        |                       | A8737-X     |       |        |         |           |          |          |           |       |
| F    | Strike box             |                       | PE1396      |       |        |         |           |          |          |           |       |
| G    | Thumb turn             |                       | AS76319     |       |        |         |           |          |          |           |       |
| K    | Screw pack             |                       | See page 37 |       |        |         |           |          |          |           |       |
| L    | Cylinder, conventional |                       | Q005-064    |       |        |         |           |          |          |           |       |
|      | Cylinder, SFIC         |                       | Q005-065    |       |        |         |           |          |          |           |       |

**Lock assemblies**

MA921 - Dead lock outside only

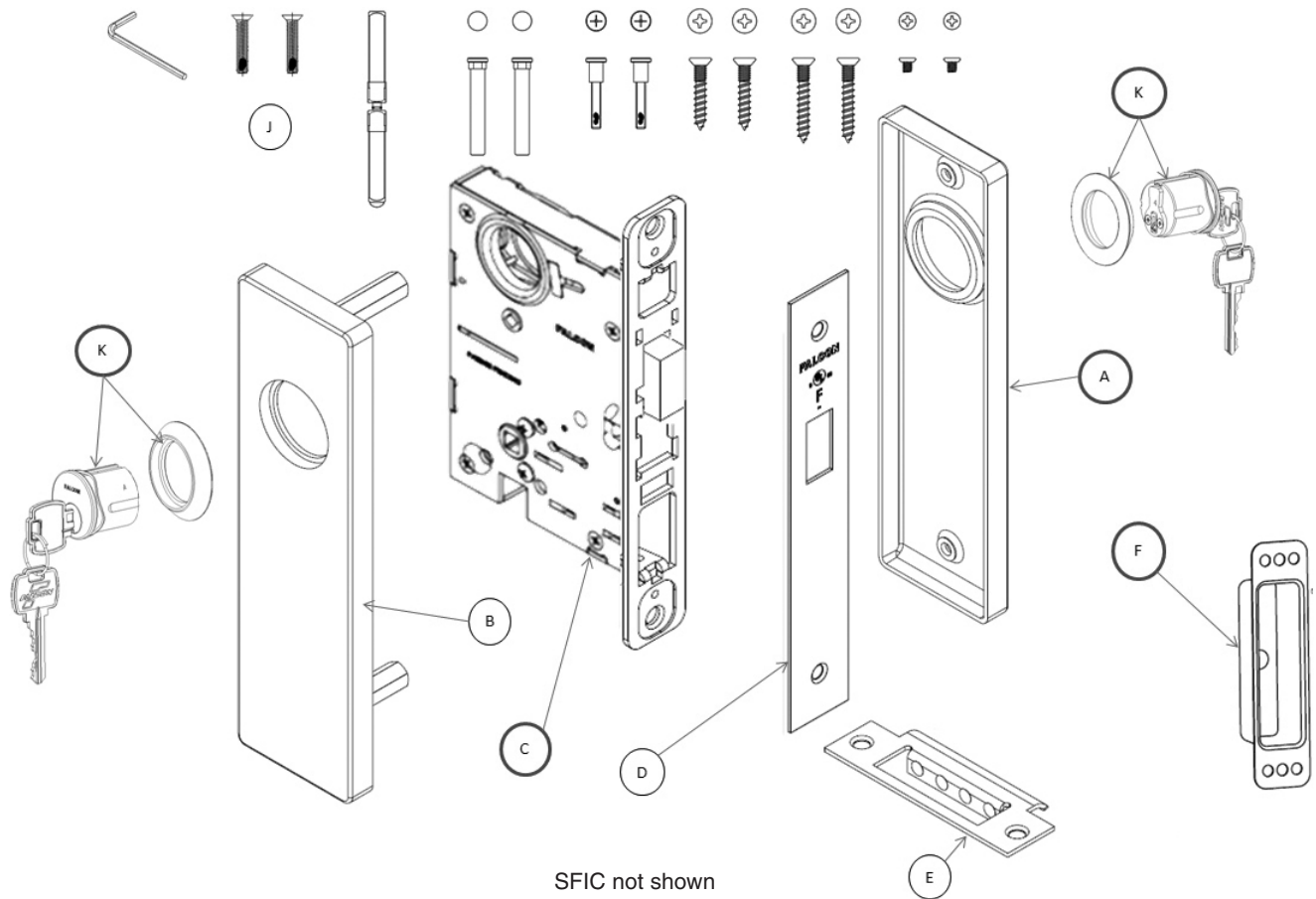


| Ltr. | Description            |                       | Levers      |       |        |         |           |          |          |           | Knobs |     |
|------|------------------------|-----------------------|-------------|-------|--------|---------|-----------|----------|----------|-----------|-------|-----|
|      |                        |                       | Dane        | Sutro | Avalon | Quantum | Boardwalk | Broadway | Latitude | Longitude | Hana  |     |
| -    | Inside trim            | Knob/lever sectional  | N/R         | N/R   | N/R    | N/R     | N/R       | N/R      | N/R      | N/R       | N/R   | N/R |
| -    |                        | Knob/lever escutcheon | N/R         | N/R   | N/R    | N/R     | N/R       | N/R      | N/R      | N/R       | N/R   | N/R |
| A    |                        | Escutcheon            | E77012-IB   |       |        |         |           |          |          |           |       |     |
| -    | Outside trim           | Knob/lever sectional  | N/R         | N/R   | N/R    | N/R     | N/R       | N/R      | N/R      | N/R       | N/R   | N/R |
| -    |                        | Knob/lever escutcheon | N/R         | N/R   | N/R    | N/R     | N/R       | N/R      | N/R      | N/R       | N/R   | N/R |
| B    |                        | Escutcheon            | AE77012-OK  |       |        |         |           |          |          |           |       |     |
| C    | Assembly, lock unit    |                       | A7816       |       |        |         |           |          |          |           |       |     |
| D    | Faceplate              |                       | S77816      |       |        |         |           |          |          |           |       |     |
| E    | Strike assembly        |                       | A8737-X     |       |        |         |           |          |          |           |       |     |
| F    | Strike box             |                       | PE1396      |       |        |         |           |          |          |           |       |     |
| J    | Screw pack             |                       | See page 37 |       |        |         |           |          |          |           |       |     |
| K    | Cylinder, conventional |                       | Q005-064    |       |        |         |           |          |          |           |       |     |
|      | Cylinder, SFIC         |                       | Q005-065    |       |        |         |           |          |          |           |       |     |



**Lock assemblies**

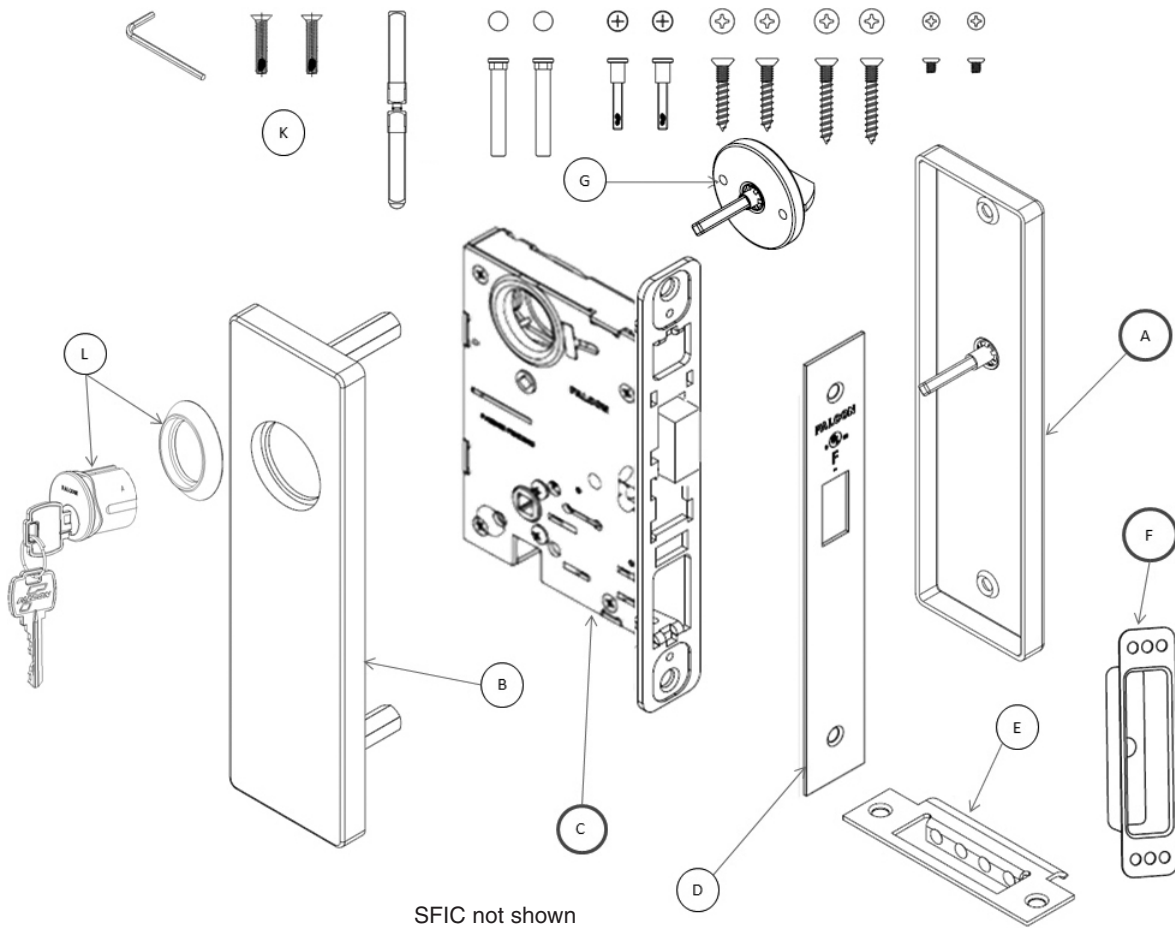
**MA931 - Dead lock inside and outside**



| Ltr. | Description                |                       | Levers      |       |        |         |           |          |          |           | Knobs |
|------|----------------------------|-----------------------|-------------|-------|--------|---------|-----------|----------|----------|-----------|-------|
|      |                            |                       | Dane        | Sutro | Avalon | Quantum | Boardwalk | Broadway | Latitude | Longitude | Hana  |
| -    | Inside trim                | Knob/lever sectional  | N/R         | N/R   | N/R    | N/R     | N/R       | N/R      | N/R      | N/R       | N/R   |
| -    |                            | Knob/lever escutcheon | N/R         | N/R   | N/R    | N/R     | N/R       | N/R      | N/R      | N/R       | N/R   |
| A    |                            | Escutcheon            | E77012-IK   |       |        |         |           |          |          |           |       |
| -    | Outside trim               | Knob/lever sectional  | N/R         | N/R   | N/R    | N/R     | N/R       | N/R      | N/R      | N/R       | N/R   |
| -    |                            | Knob/lever escutcheon | N/R         | N/R   | N/R    | N/R     | N/R       | N/R      | N/R      | N/R       | N/R   |
| B    |                            | Escutcheon            | AE77012-OK  |       |        |         |           |          |          |           |       |
| C    | Assembly, lock unit        |                       | A7816       |       |        |         |           |          |          |           |       |
| D    | Faceplate                  |                       | S77816      |       |        |         |           |          |          |           |       |
| E    | Strike assembly            |                       | A8737-X     |       |        |         |           |          |          |           |       |
| F    | Strike box                 |                       | PE1396      |       |        |         |           |          |          |           |       |
| J    | Screw pack                 |                       | See page 37 |       |        |         |           |          |          |           |       |
| K    | Cylinder, conventional (2) |                       | Q005-064    |       |        |         |           |          |          |           |       |
|      | Cylinder, SFIC (2)         |                       | Q005-065    |       |        |         |           |          |          |           |       |

**Lock assemblies**

**MA941 - Dead lock with inside turn**

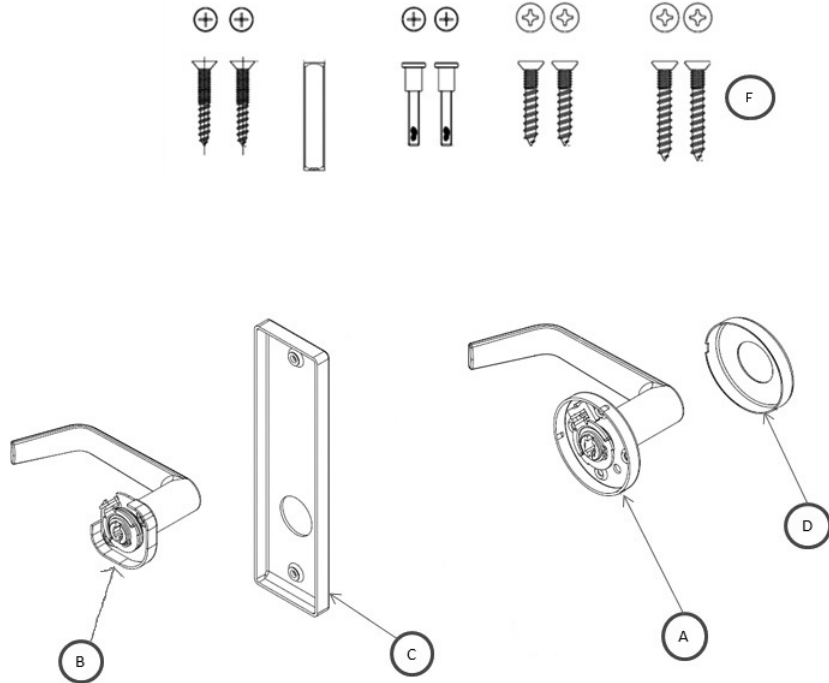


SFIC not shown

| Ltr. | Description                |                       | Levers      |       |        |         |           |          |          |           | Knobs |      |
|------|----------------------------|-----------------------|-------------|-------|--------|---------|-----------|----------|----------|-----------|-------|------|
|      |                            |                       | Dane        | Sutro | Avalon | Quantum | Boardwalk | Broadway | Latitude | Longitude |       | Hana |
| -    | Inside trim                | Knob/lever sectional  | N/R         | N/R   | N/R    | N/R     | N/R       | N/R      | N/R      | N/R       | N/R   | N/R  |
| -    |                            | Knob/lever escutcheon | N/R         | N/R   | N/R    | N/R     | N/R       | N/R      | N/R      | N/R       | N/R   | N/R  |
| A    |                            | Escutcheon            | E77012-IK   |       |        |         |           |          |          |           |       |      |
| -    | Outside trim               | Knob/lever sectional  | N/R         | N/R   | N/R    | N/R     | N/R       | N/R      | N/R      | N/R       | N/R   | N/R  |
| -    |                            | Knob/lever escutcheon | N/R         | N/R   | N/R    | N/R     | N/R       | N/R      | N/R      | N/R       | N/R   | N/R  |
| B    |                            | Escutcheon            | AE77012-OK  |       |        |         |           |          |          |           |       |      |
| C    | Assembly, lock unit        |                       | A7816       |       |        |         |           |          |          |           |       |      |
| D    | Faceplate                  |                       | S77816      |       |        |         |           |          |          |           |       |      |
| E    | Strike assembly            |                       | A8737-X     |       |        |         |           |          |          |           |       |      |
| F    | Strike box                 |                       | PE1396      |       |        |         |           |          |          |           |       |      |
| J    | Screw pack                 |                       | See page 37 |       |        |         |           |          |          |           |       |      |
| K    | Cylinder, conventional (2) |                       | Q005-064    |       |        |         |           |          |          |           |       |      |
|      | Cylinder, SFIC (2)         |                       | Q005-065    |       |        |         |           |          |          |           |       |      |

**Lock assemblies**

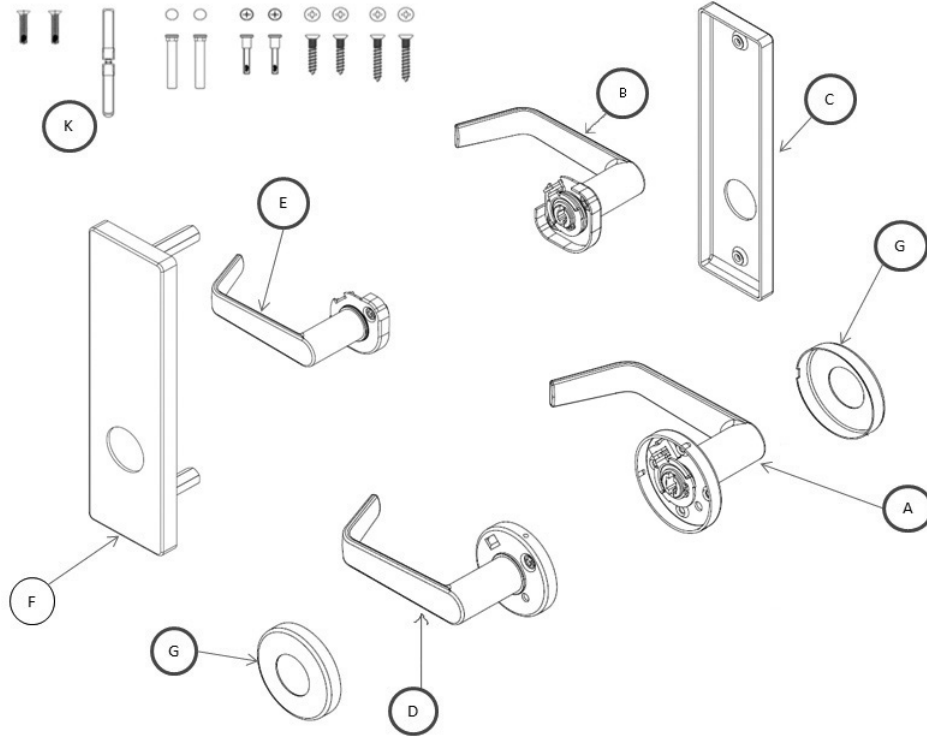
MA12 - Single dummy



| Ltr. | Knobs/Levers on One Side Fixed |                       | Levers    |           |           |           |           |          |          |           | Knobs     |
|------|--------------------------------|-----------------------|-----------|-----------|-----------|-----------|-----------|----------|----------|-----------|-----------|
|      | Description                    |                       | Dane      | Sutro     | Avalon    | Quantum   | Boardwalk | Broadway | Latitude | Longitude | Hana      |
| A    | Trim                           | Knob/lever sectional  | AS76280-D | AS76526-D | AS76029-D | AS76140-D | AS76310   | AS76321  | AS76360  | AS76760   | AS76100-D |
| B    |                                | Knob/lever escutcheon | AE77280-D | AE77526-D | AE77029-D | AE77140-D | AE77310   | AE77321  | AE77360  | AE77760   | AE77100-D |
| C    |                                | Escutcheon            | E77012-IP |           |           |           |           |          |          |           |           |
| D    | Rose                           |                       | S76012    |           |           |           |           |          |          |           |           |
| F    | Screw pack                     |                       | S76331    |           |           |           |           |          |          |           |           |
|      | Torx screw pack (optional)     |                       | E77308    |           |           |           |           |          |          |           |           |

Lock assemblies

MA18 - Double dummy

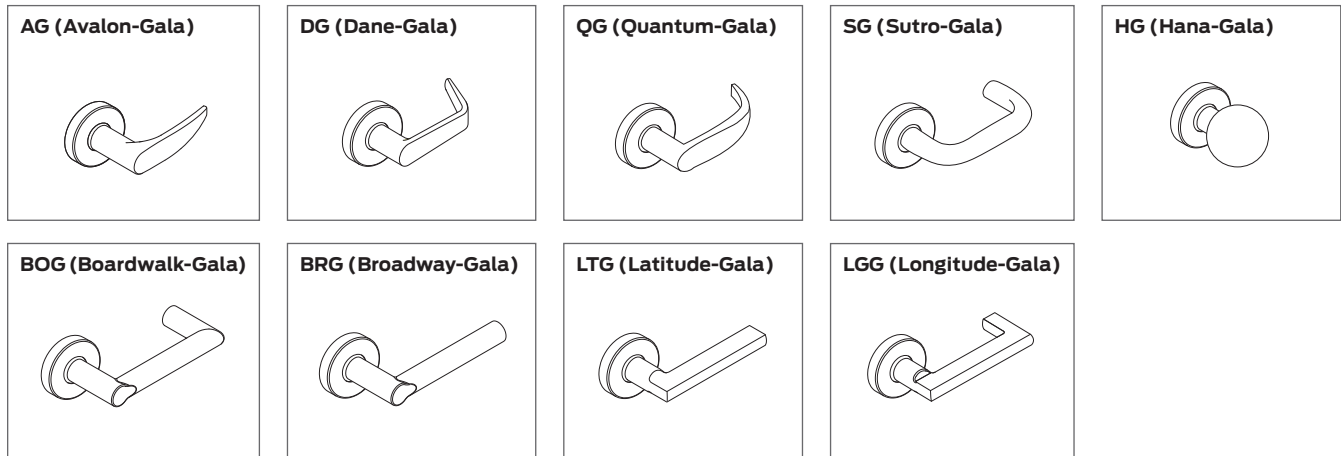


| Ltr. | Knobs/Levers on Both Sides Fixed |                       | Levers      |           |           |           |           |          |          | Knobs     |           |
|------|----------------------------------|-----------------------|-------------|-----------|-----------|-----------|-----------|----------|----------|-----------|-----------|
|      | Description                      |                       | Dane        | Sutro     | Avalon    | Quantum   | Boardwalk | Broadway | Latitude | Longitude | Hana      |
| A    | Inside trim                      | Knob/lever sectional  | AS76280-D   | AS76526-D | AS76029-D | AS76140-D | AS76310   | AS76321  | AS76360  | AS76760   | AS76100-D |
| B    |                                  | Knob/lever escutcheon | AE77280-D   | AE77526-D | AE77029-D | AE77140-D | AE77310   | AE77321  | AE77360  | AE77760   | AE77100-D |
| C    |                                  | Escutcheon            | E77012-IP   |           |           |           |           |          |          |           |           |
| D    | Outside trim                     | Knob/lever sectional  | AS76280-D   | AS76526-D | AS76029-D | AS76140-D | AS76310   | AS76321  | AS76360  | AS76760   | AS76100-D |
| E    |                                  | Knob/lever escutcheon | AE77280-D   | AE77526-D | AE77029-D | AE77140-D | AE77310   | AE77321  | AE77360  | AE77760   | AE77100-D |
| F    |                                  | Escutcheon            | AE77012-OP  |           |           |           |           |          |          |           |           |
| G    | Rose (2)                         |                       | S76012      |           |           |           |           |          |          |           |           |
| K    | Screw pack                       |                       | See page 37 |           |           |           |           |          |          |           |           |

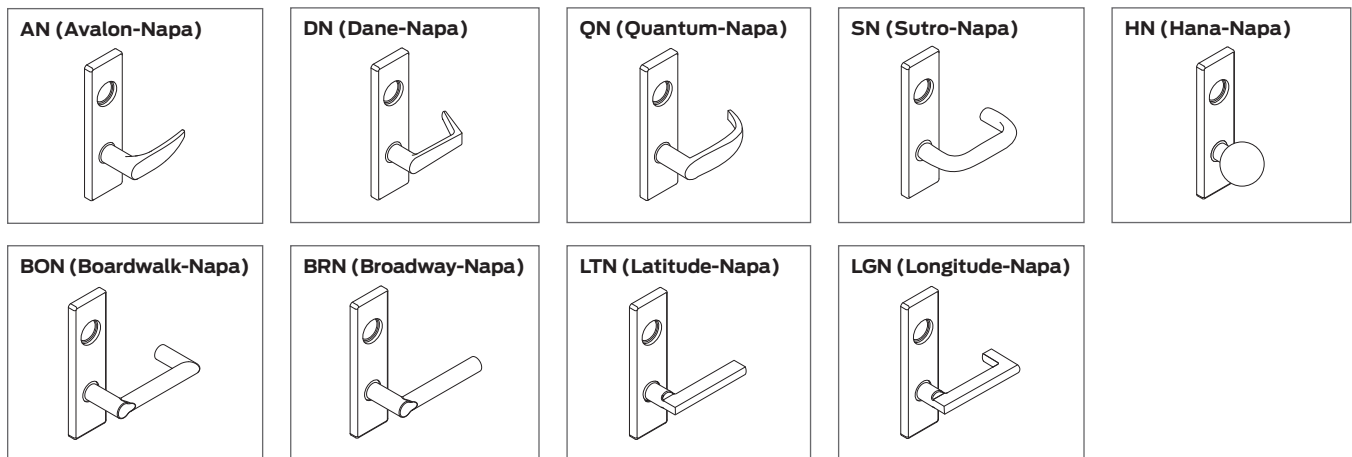
# Parts and accessories

## Lever and knob designs

### Gala



### Napa



## Screw packs

| Part No. | Description   | Use  |
|----------|---|--|
| S76300   | #8-32 x 1/4" L machine screw                              | 1 1/8"-1 7/8" door thickness, sectional trim with levers |
|          | #12-12 / #12-24 x 1 1/2" L wood/machine combination screw |  |
|          | #12-12 / #12-24 x 1 1/4" L wood/machine combination screw |  |
|          | #8-32 x 1 1/4" L mounting screw                           |  |
|          | ∅ 1/4" x 1 11/16" L post                                  |  |
|          | 5/16" x 1 9/16" L x 2 pcs STD spindle assembly            |  |
|          | 3/32" Allen wrench  |  |

| Part No. | Description   | Use   |
|----------|---|---|
| S76301   | #8-32 x 1/4" L machine screw                              | Over 1 7/8"-2 1/2" door thickness, sectional trim with levers |
|          | #12-12 / #12-24 x 1 1/2" L wood/machine combination screw |   |
|          | #12-12 / #12-24 x 1 1/4" L wood/machine combination screw |   |
|          | #8-32 x 1 1/2" L mounting screw                           |   |
|          | ∅ 1/4" x 2 1/4" L post                                    |   |
|          | 5/16" x 1 7/8" L x 2 pcs EXT spindle assembly             |   |
|          | 3/32" Allen wrench  |   |

## Parts and accessories

| Part No. | Description   | Use  |
|----------|---|--|
| S76302   | #8-32 x 1/4" L machine dcrew  | 1 1/8"-1 7/8" door thickness, sectional trim with knobs        |
|          | #12-12 / #12-24 x 1 1/2" L wood/machine combination screw           |  |
|          | #12-12 / #12-24 x 1 1/4" L wood/machine combination screw           |  |
|          | #8-32 x 1 1/4" L mounting screw                                     |  |
|          | Ø 1/4" x 1 1/16" L post   |  |
|          | 5/16" x 1/4" L x 2 pcs STD spindle assembly                         |  |
|          | 3/32" Allen wrench  |  |
| S76303   | #8-32 x 1/4" L machine screw  | Over 1 7/8"-2 1/2" door thickness, sectional trim with knobs   |
|          | #12-12 / #12-24 x 1 1/2" L wood/machine combination screw           |  |
|          | #12-12 / #12-24 x 1 1/4" L wood/machine combination screw           |  |
|          | #8-32 x 1 1/2" L mounting screw                                     |  |
|          | Ø 1/4" x 2 1/4" L post  |  |
|          | 5/16" x 1 9/16" L x 2 pcs EXT spindle assembly                      |  |
|          | 3/32" Allen wrench  |  |
| S76306   | #8-32 x 1/4" L Torx® head machine screw                             | Torx screw pack, sectional trim, no turn                       |
|          | #12-12 / #12-24 x 1 1/2" L Torx head wood/machine combination screw |  |
| S76307   | #8-32 x 1/4" L Torx head machine screw                              | Torx screw pack, sectional trim, with turn                     |
|          | #12-12 / #12-24 x 1 1/2" L Torx head wood/machine combination screw |  |
|          | #6 x 1/2" Torx head sheet metal screw                               |  |
| S76331   | #8-32 x 1/4" L machine screw  | Single dummy   |
|          | #12-12 / #12-24 x 1 1/2" L wood/machine combination screw           |  |
|          | #12-12 / #12-24 x 1 1/4" L wood/machine combination screw           |  |
|          | #8-32 x 1 1/4" L mounting screw                                     |  |
|          | 5/16" x 1 9/16" L STD spindle                                       |  |
|          | Ø 0.027" Wire, OD; Ø 5/16" x 1 3/8" L spring                        |  |
|          | 3/32" Allen wrench  |  |
| E77300   | #8-32 x 1/4" L machine screw  | 1 1/8"-1 7/8" door thickness, escutcheon trim with levers      |
|          | #12-12 / #12-24 x 1 1/2" wood/machine combination screw             |  |
|          | #12-12 / #12-24 x 1 1/4" L wood/machine combination screw           |  |
|          | #8-32 x 1 1/4" L mounting screw                                     |  |
|          | Ø 1/4" x 1 1/16" L post   |  |
|          | 5/16" x 1 9/16" L x 2 pcs STD spindle assembly                      |  |
|          | #10-24 x 1 1/4" machine screw                                       |  |
|          | 3/32" Allen wrench  |  |
| E77301   | #8-32 x 1/4" L machine screw  | Over 1 7/8"-2 1/2" door thickness, escutcheon trim with levers |
|          | #12-12 / #12-24 x 1 1/2" L wood/machine combination screw           |  |
|          | #12-12 / #12-24 x 1 1/4" L wood/machine combination screw           |  |
|          | #8-32 x 1 1/2" L mounting screw                                     |  |
|          | Ø 1/4" x 2 1/4" L post  |  |
|          | 5/16" x 1 7/8" L x 2 pcs EXT spindle assembly                       |  |
|          | #10-24 x 2" machine screw   |  |
|          | 3/32" Allen wrench  |  |

| Part No. | Description   | Use   |
|----------|---|---|
| E77302   | #8-32 x 1/4" L machine screw  | 1 1/8"-1 7/8" door thickness, escutcheon trim with knob                                     |
|          | #12-12 / #12-24 x 1 1/2" L wood/machine combination screw           |   |
|          | #12-12 / #12-24 x 1 1/4" L wood/machine combination screw           |   |
|          | #8-32 x 1 1/4" L mounting screw                                     |   |
|          | Ø 1/4" x 1 1/16" L post   |   |
|          | 5/16" x 1/4" L x 2 pcs STD knob spindle assembly                    |   |
|          | #10-24 x 1 1/4" L machine screw                                     |   |
|          | 3/32" Allen wrench  |   |
| E77303   | #8-32 x 1/4" L machine screw  | Over 1 7/8"-2 1/2" door thickness, escutcheon trim with knob                                |
|          | #12-12 / #12-24 x 1 1/2" L wood/machine combination screw           |   |
|          | #12-12 / #12-24 x 1 1/4" L wood/machine combination screw           |   |
|          | #8-32 x 1 1/2" L trim screw   |   |
|          | Ø 1/4" x 1 1/16" L Post   |   |
|          | 5/16" x 1 9/16" L x 2 pcs EXT spindle assembly                      |   |
|          | #10-24 x 2" L machine screw   |   |
|          | 3/32" Allen wrench  |   |
| E77306   | #8-32 x 1/4" L Torx head machine screw                              | 1 1/8"-1 7/8" door thickness Torx screw pack, escutcheon trim, standard door thickness      |
|          | #12-12 / #12-24 x 1 1/2" L Torx head wood/machine combination screw |   |
|          | #10-24 x 1 1/4" L Torx head, machine screw                          |   |
| E77307   | #8-32 x 1/4" L Torx head machine screw                              | Over 1 7/8"-2 1/2" door thickness Torx screw pack, escutcheon trim, extended door thickness |
|          | #12-12 / #12-24 x 1 1/2" L Torx head wood/machine combination screw |   |
|          | #10-24 x 2" L Torx head machine screw                               |   |
| E77308   | #8-32 x 1/4" L Torx head machine screw                              | Torx screw pack, rose escutcheon connection door  |
|          | #12-12 / #12-24 x 1 1/2" L Torx head wood/machine screw             |   |
|          | #10-24 / #10 x 1 1/4" L Torx head wood/machine screw                |   |
| E77331   | #8-32 x 1/4" L machine screw  | Escutcheon connecting door  |
|          | #12-12 / #12-24 x 1 1/2" L wood/machine combination screw           |   |
|          | #12-12/#12-24 x 1 1/4" L wood/machine combination screw             |   |
|          | #8-32 x 1 1/4" L mounting screw                                     |   |
|          | 5/16" x 1 9/16" L STD spindle                                       |   |
|          | #10-24 / #10 x 1 1/4" L wood/machine combination screw              |   |
|          | Ø 0.027 Wire, Ø 5/16" O.D. x 1 3/8" L spring                        |   |
|          | 3/32" Allen wrench  |   |

Available in finishes 606, 613, 630.

Non Torx screw packs contain armor front screws, strike screws, trim screws, mortise screws, spindle, and mounting posts.

Torx screw packs contain armor front, strike, and trim screws only.

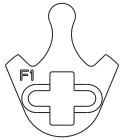
## Cams

### Cams for Falcon mortise cylinders (except MA381 function)

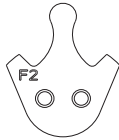
The Falcon MA-Series requires a different cam for keyed functions than its predecessor, the Falcon M Series. All keyed functions except the MA381 function use a single cam for all standard cylinders and a single cam for all interchangeable core cylinders.

| Door handing | Cam part number | Outside  | Inside                            | For cylinder         |
|--------------|-----------------|--|-----------------------------------|----------------------|
| All          | 5622-STD (F1)   | MA371, MA411, MA431, MA441, MA451, MA521, MA531, MA541, MA551, MA561, MA571, MA581, MA621, MA641, MA851, MA881, MA911, MA921, MA931, MA941 | MA371, MA411, MA431, MA441, MA931 | Standard             |
| All          | 5622-IC (F2)    | MA371, MA411, MA431, MA441, MA451, MA521, MA531, MA541, MA551, MA561, MA571, MA581, MA621, MA641, MA851, MA881, MA911, MA921, MA931, MA941 | MA371, MA411, MA431, MA441, MA931 | Interchangeable core |

5622-STD (F1)



5622-IC (F2)



### Cams for Falcon mortise cylinders, MA381 function only

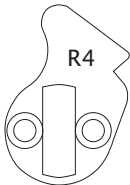
The Falcon MA381 function uses unique cams. Different cams are required depending on the handing of the lock.

Complete cylinders can also be ordered for the MA381 function that include the correct cam (handing must be specified when ordering cylinders for the MA381). See current Falcon Price Book for details.

| Cylinder             | Door handing | Outside cylinder cam part number | Inside cylinder cam part number |
|----------------------|--------------|----------------------------------|---------------------------------|
| Standard             | RH/RHR       | 5621-STD (R4)                    | 5620-STD (R3)                   |
|                      | LH/LHR       | 5621-STD (L4)                    | 5620-STD (L3)                   |
| Interchangeable core | RH/RHR       | 5621-IC (R4)                     | 5620-IC (R3)                    |
|                      | LH/LHR       | 5621-IC (L4)                     | 5620-IC (L3)                    |

MA381 Standard cylinder, outside

5621-STD (R4)

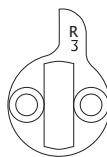


5621-STD (L4)

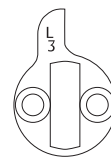


MA381 Standard cylinder, inside

5620-STD (R3)

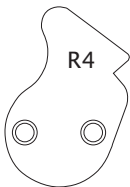


5620-STD (L3)



MA381 Interchangeable core cylinder, outside

5621-IC (R4)

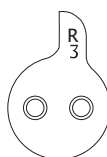


5621-IC (L4)



MA381 Interchangeable core cylinder, inside

5620-IC (R3)



5620-IC (L3)



### Cams for Schlage cylinders

The Schlage Classic cylinders (C, E, and CE keyways) will also operate the Falcon MA-Series locks using the 5622-STD cam.

## Cylinders

# Cylinders

## Mortise, rim, and cam lock for standard cylinders

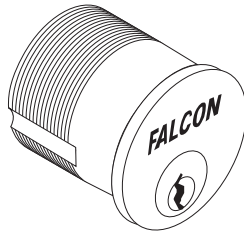
### Mortise cylinder

900 Series cylinders are furnished with #4 straight cam, and 250 Series are furnished with #1 cloverleaf cam unless otherwise specified.

See table for product numbers.

See [page 39](#) for optional cams and [page 42](#) for collars.

Specify finish: 605, 606, 612, 613, 626, 629, 630



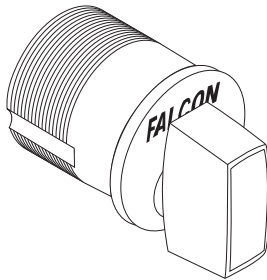
### Thumbturn cylinder

Furnished with #4 straight cam, except 970 Series furnished with #1 cloverleaf cam unless otherwise specified.

See table for product numbers.

See [page 39](#) for optional cams and [page 42](#) for collars.

Specify finish: 605, 606, 612, 613, 626, 629, 630



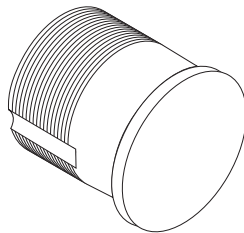
### Dummy cylinder

Used to plug hole in door where lock remains but cylinder operation is no longer needed.

984 1"

985 1 1/8"

Specify finish: 605, 606, 612, 613, 626, 629, 630



### Keyed mortise cylinders

| Number | Length | Pins   | Application         |
|--------|--------|--------|---------------------|
| 985    | 1 1/8" | 5 or 6 | Generic             |
| 986    | 1 1/4" | 5 or 6 | Generic             |
| 987    | 1 3/8" | 6 or 7 | Generic             |
| 988    | 1 1/2" | 6 or 7 | Generic             |
| 990    | 1 3/4" | 6 or 7 | Generic             |
| 992    | 2"     | 6 or 7 | Generic             |
| 250    | 1 1/8" | 6      | M451 hotel function |
| 251    | 1 1/4" | 6      | M451 hotel function |
| 252    | 1 3/8" | 6      | M451 hotel function |
| 253    | 1 3/8" | 7      | M451 hotel function |

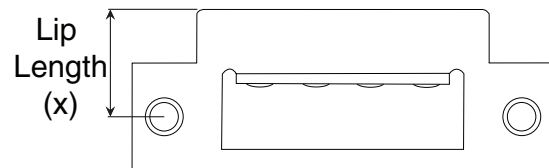
### Thumbturn mortise cylinders

| Number | Length | Pins | Application                        |
|--------|--------|------|------------------------------------|
| 985T   | 1 1/8" | -    | Generic                            |
| 986T   | 1 1/4" | -    | Generic                            |
| 973    | 1 1/8" | -    | M911 classroom thumbturn, RH (CCW) |
| 974    | 1 1/8" | -    | M911 classroom thumbturn, LH (CW)  |

Specify cylinder number, keyway, and finish when ordering.

## Strikes

| Strike  | Lip length (x) | Lip          |
|---------|----------------|--------------|
| A8737-1 | 1 1/4"         | Curved lip   |
| A8737-2 | 1 7/16"        | Curved lip   |
| A8737-3 | 1 9/16"        | Curved lip   |
| A8737-4 | 1 11/16"       | Curved lip   |
| A8737-5 | 7/8"           | Straight lip |





## Cylinders

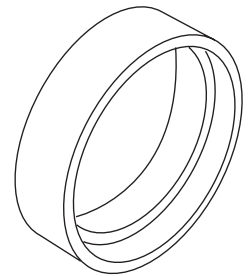
### Cylinder collars

Standard collars for cylinders ordered separately

| Length | Cylinder                            | Non-AR cams | AR cam     |
|--------|-------------------------------------|-------------|------------|
| 1"     | 984D                                | A08794-000  | -          |
| 1½"    | 250, 965, 966, 973, 974, 985 Series | A08794-000  | 008876-002 |
| 1¼"    | 251, 986 Series                     | A08794-001  | 008876-003 |
| 1⅝"    | 252, 253, 987, C987, C997           | A08794-002  | 008876-004 |
| Longer | C260 Series, (C)988, (C)990, (C)992 | A08794-000  | 008876-000 |

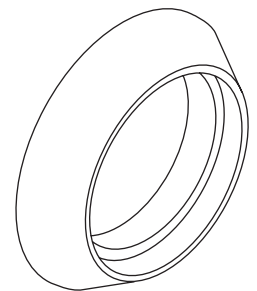
### Escutcheon trim rings

| Door thickness | Function        | 985<br>1⅝" | 986<br>1¼" | (C) 987<br>1⅝" | (C) 988<br>1½" |
|----------------|-----------------|------------|------------|----------------|----------------|
| 1½"            | Single cylinder | -          | A08790-000 | A08790-001     | A08790-002     |
| 1½"            | Double cylinder | A08790-000 | -          | -              | -              |
| 1¾"            | Single cylinder | -          | -          | A08790-000     | A08790-001     |
| 1¾"            | Double cylinder | -          | A08790-000 | A08790-001     | A08790-002     |
| 2"             | Single cylinder | -          | -          | A08790-000     | A08790-001     |
| 2"             | Double cylinder | -          | -          | A08790-000     | A08790-001     |
| 2¼"            | Single cylinder | -          | -          | -              | A08790-000     |
| 2¼"            | Double cylinder | -          | -          | -              | -              |
| 2½"            | Single cylinder | -          | -          | -              | -              |
| 2½"            | Double cylinder | -          | -          | -              | -              |



### Sectional trim rings

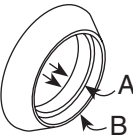
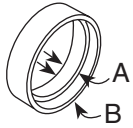
| Door thickness | Function        | 985<br>1⅝" | 986<br>1¼" | (C) 987<br>1⅝" | (C) 988<br>1½" |
|----------------|-----------------|------------|------------|----------------|----------------|
| 1½"            | Single cylinder | A08794-001 | A08794-002 | -              | -              |
| 1½"            | Double cylinder | A08794-002 | A08794-003 | -              | -              |
| 1¾"            | Single cylinder | A08794-000 | A08794-001 | -              | -              |
| 1¾"            | Double cylinder | A08794-001 | A08794-002 | A08794-002     | -              |
| 2"             | Single cylinder | -          | A08794-000 | A08794-001     | A08794-002     |
| 2"             | Double cylinder | A08794-000 | A08794-001 | A08794-002     | A08794-003     |
| 2¼"            | Single cylinder | -          | -          | A08794-000     | A08794-001     |
| 2¼"            | Double cylinder | -          | A08794-000 | A08794-001     | A08794-002     |
| 2½"            | Single cylinder | -          | -          | -              | A08794-000     |
| 2½"            | Double cylinder | -          | -          | A08794-000     | A08794-001     |



Specify part number and finish when ordering. (e.g. A08790-000-626). See current Falcon Price Book for available finishes.

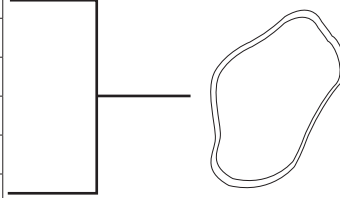
## Cylinders

### Trim rings and collars



#### Blocking rings

| Dim. A | Dim. B | Part No.   |
|--------|--------|------------|
| 3/32"  | 9/32"  | A08790-000 |
| 7/32"  | 13/32" | A08790-001 |
| 11/32" | 17/32" | A08790-002 |
| 15/32" | 21/32" | A08790-003 |
| 43/64" | 55/64" | A08790-004 |
| 3/32"  | 9/32"  | A08794-000 |
| 7/32"  | 13/32" | A08794-001 |
| 11/32" | 17/32" | A08794-002 |
| 15/32" | 21/32" | A08794-003 |
| 1/8"   | -      | 008876-000 |
| 3/16"  | -      | 008876-005 |
| 1/4"   | -      | 008876-001 |
| 3/8"   | -      | 008876-002 |
| 1/2"   | -      | 008876-003 |
| 5/8"   | -      | 008876-004 |



Wave washer included.  
To order separately,  
specify 008789-001-60.

Specify part number and finish when ordering. (e.g. A08790-000-626). See current Falcon Price Book for available finishes.

# Electrified locks

All MA851 and MA881 locks feature automatic detection and operation with 12V or 24V DC. Locks are furnished with Allegion Connect molex connector with 3-inch lead. Allegion Connect system allows rapid installation of locks when used with Allegion Connect harnesses and hinges. The molex connector can be cut off to allow for installation by splicing.

It is recommended that all wiring be done by a licensed electrician familiar with the supporting equipment.

## MA851 EL, Electrically locked (fail safe)

Outside trim is continuously locked electrically. The latchbolt is retracted by a key outside or by the knob/lever inside. Switch or power failure allows the outside knob/lever to retract the latchbolt.

## MA881 EU, Electrically unlocked (fail secure)

Outside trim is unlocked electrically. Duringt switch or power failure, the latchbolt is retracted only by a key outside, or by knob/lever inside. Outside knob/lever will not retract latchbolt during switch or power failure.

## Typical Installation:

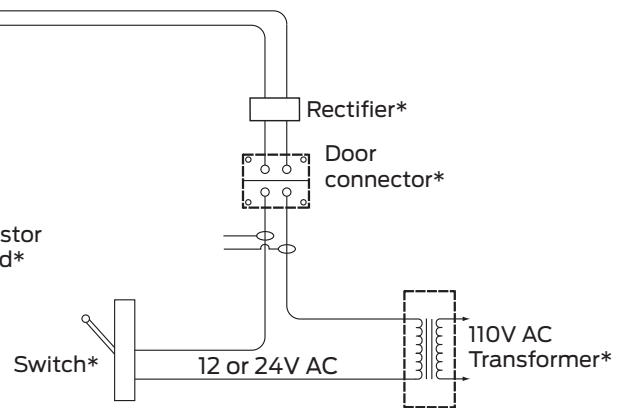
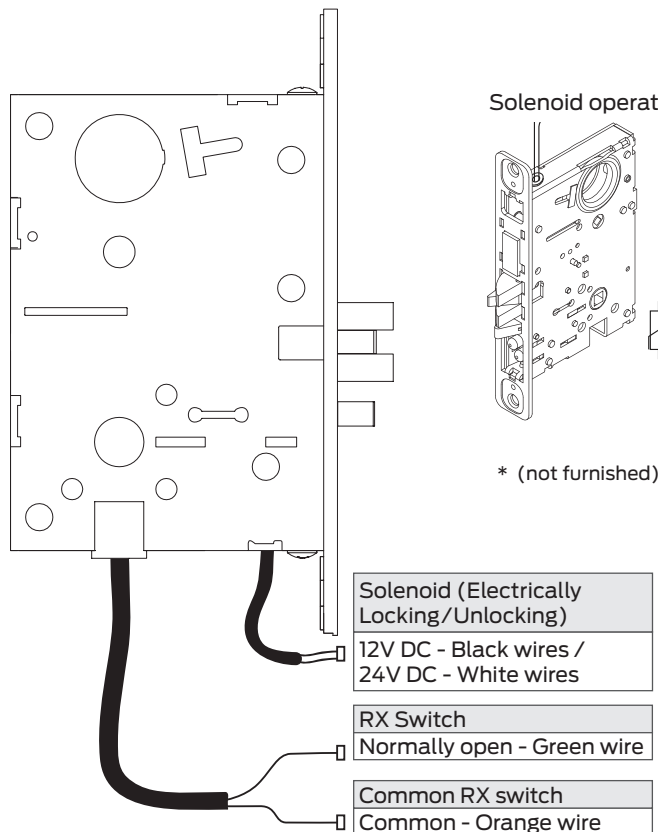
All installations should be in accordance with local electrical codes and National Electrical Code NFPA #70.

It is recommended that each lock have its own 12 or 24 volt transformer. Be sure to select the proper transformer for the lock.

Two or more locks may be operated in parallel from a single transformer provided it has the necessary current rating. DO NOT connect locks in series from a higher voltage rated transformer. Damage to locks may occur if they connect to a supply circuit that also contains electromagnetic devices. The transient voltage must be suppressed at the equipment producing them before connecting the locks to a circuit. A varistor rate at 35 volts (at peak current) may be used for transient voltage protection.

**IMPORTANT:** Cable must be routed and tucked to fit. Ensure that no wires are exposed or pinched during positioning.

1. Prepare mortise pocket in door per template. Access for the wiring to be per installer's requirements. It is recommended that an access channel is bored to provide contact from the electric transfer hinge or other means of transfer to the mortise pocket.
2. Connect wires as necessary (some options may not be used), and slip the mortise into the prepared pocket in the door. Take care to ensure wires are not pinched or damaged.
3. Always ensure door operates properly before locking!



| Electrical requirements |  |                |
|-------------------------|--|----------------|
| Operating Temperature:  | Max +151° F (+ 66° C), Min. -31° F (-0.5° C) |                |
| Voltage:                | 12V DC +/- 10%                               | 24V DC +/- 10% |
| Operating Current:      | 0.42 A                                       | 0.21 A         |
| Holding Current:        | 0.135 A                                      |                |

# Ordering procedures

For correct ordering, and to ensure no delays in shipment of your order, the following descriptive data must be listed in the sequence shown. Necessary information can be found in other parts of this manual. The example below shows an order for 16 each MA locksets in the 521 Entry function, DG (Dane-Gala) trim design in a 626 (satin chrome) finish, 8 RH (right hand) and 8 LH (left hand) to accommodate doors 1¾" thick with AA1-AA16 keying.

**Quantity:** Indicate the quantity required.

**Catalog number:** Select catalog number.

**Trim design:** Indicate letter of knob or lever design followed by letter of rose or escutcheon design.

**Example:** DG-D for Dane lever followed by G for Gala rose.

**Finish:** When the finish is the same for the outside and inside trim, it is shown once (626). For split finishes, the outside is designated first, then the inside (626 x 625).

**Latch:** Two-piece mechanical anti-friction standard. All catalog numbers shown in this manual indicated 2¾" backset.

**Strike:** 47/8" x 1¼" x 1¼" lip-to-center with curved lip standard. Optional strikes with shorter or longer lip lengths available.

**Cylinder type:** For 6-pin, add 6-Pin. For 7-pin, add 7-pin.

**Door hand:** See chart.

**Keying detail:** We suggest using the standard terms developed by the A.H.C. (consult factory).

**Example:** AA1 - Grand master keyed, Master keyed, change key 1.

**Interchangeable core:** To order product capable of accepting an interchangeable core, add "B" less SFIC (for interchangeable core). To order product with an interchangeable core, add "SFIC" (with interchangeable core). Ex: "G" with Falcon SFIC core.

**Keyway:** "G" is standard on regular cylinders, "A" is standard on interchangeable cores. Other keyways available. See current Falcon Price Book for details.

**Additional keys:** Note the total number of keys required.

**Large bow keys:** Add - "with large bow keys".

## Example

| Qty. | Catalog Number | Trim Design | Finish | Latch | Strike | Cylinder | Door Hand |    |     |     | Detail          |
|------|----------------|-------------|--------|-------|--------|----------|-----------|----|-----|-----|-----------------|
|      |                |             |        |       |        |          | RH        | LH | RHR | LHR |                 |
| 8    | MA521P         | DG          | 626    | STD   | STD    | 6-PIN    | X         |    |     |     | AA1-AA8 1¾" DR  |
| 8    | MA521P         | DG          | 626    | STD   | STD    | 6-PIN    |           | X  |     |     | AA9-AA16 1¾" DR |

# Finishes

Falcon offers several finish choices to compliment the design elements of most any project. Falcon applies the best available protective plating or coating to the surface of our products to minimize the exposure to weather, pollution, perspiration, extremes of climate, frequency of use and other factors. Please consult with us if your building is subjected to chemical or corrosive conditions, as some finishes would not be recommended for these areas. Falcon recommends chrome plated or stainless steel finishes for high corrosive environments.

## Finish codes and descriptions

| Code         | Description                   |
|--------------|-------------------------------|
| 605 (US 3)   | Bright brass, clear coated    |
| 606 (US 4)   | Satin brass, clear coated     |
| 613 (US 10B) | Oil rubbed bronze, no coating |
| 619 (US 15)  | Satin nickel, clear coated    |
| 622 (US 19)  | Matte black                   |

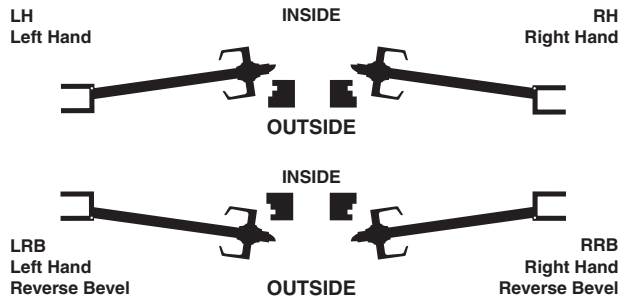
| Code         | Description                        |
|--------------|------------------------------------|
| 625 (US 26)  | Bright chromium plated, no coating |
| 626 (US 26D) | Satin chromium plated, no coating  |
| 630 (US 32D) | Satin stainless steel, no coating  |
| 643e (US 11) | Aged bronze                        |

## Door handing

# Door handing

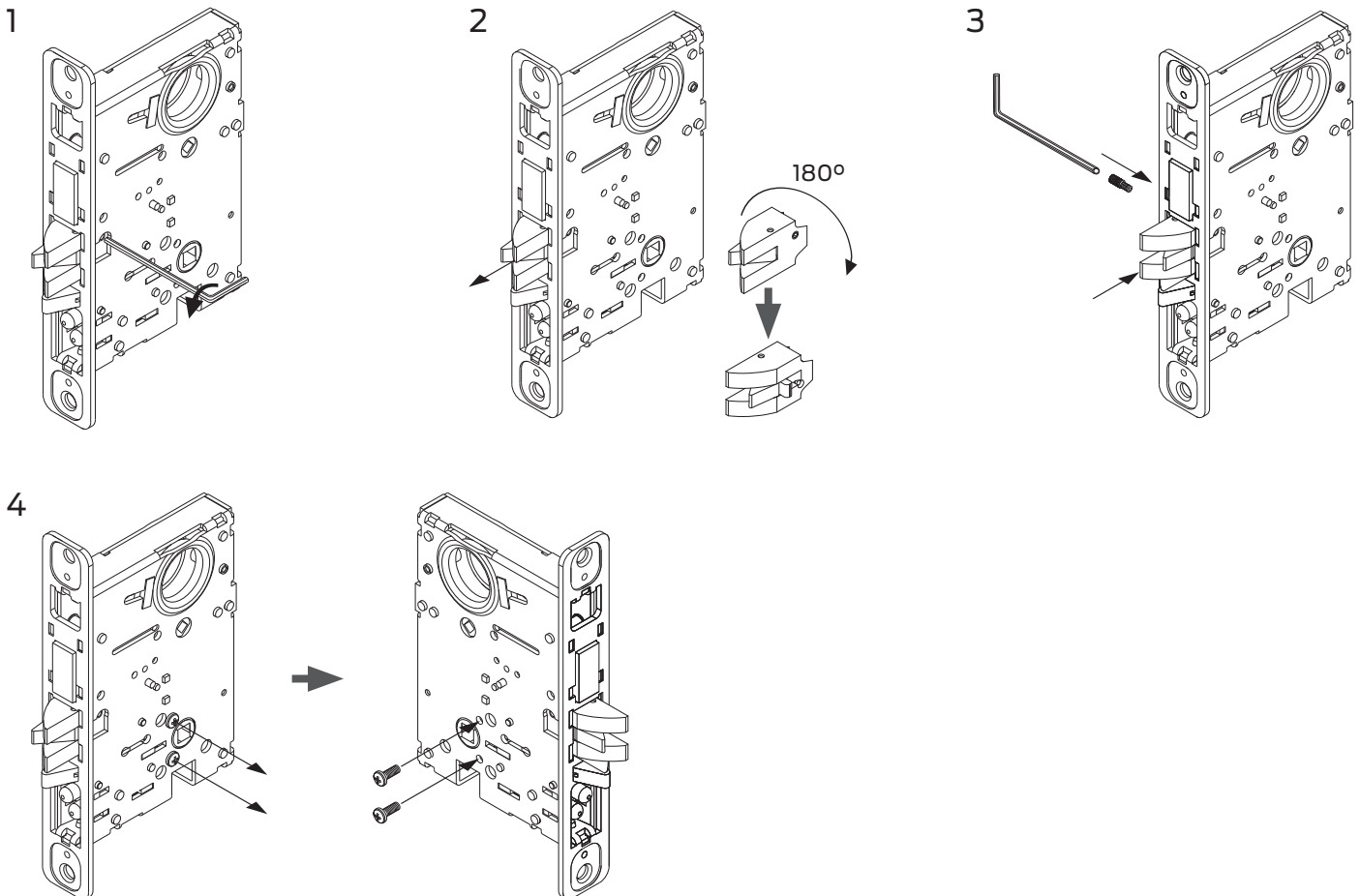
The hand of a door refers to the position of the lock relative to the side and direction of the door hinge.

There are four possible “handings” based on whether the hinge is on the right or left side of the door and whether the door swings to the inside or outside.



## Changing the lock hand

1. Remove latch bolt screw.
2. Remove latch bolt and rotate 180°.
3. Reinstall latch bolt and screw.
4. Move handing screws to opposite side. Handing screws must be located on the non-locking side.







## About Allegion

Allegion (NYSE: ALLE) creates peace of mind by pioneering safety and security. As a \$2 billion provider of security solutions for homes and businesses, Allegion employs more than 9,000 people and sells products in more than 130 countries across the world. Allegion comprises 25 global brands, including strategic brands CISA®, Interflex®, LCN®, Schlage® and Von Duprin®.

For more, visit [www.allegion.com](http://www.allegion.com).

*aptiQ* ■ LCN ■ **SCHLAGE** ■ STEELCRAFT ■ VON DUPRIN