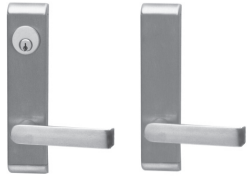


24 Series

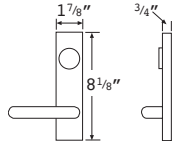
Trim designs

Lever trims (712L)



712L
712L/NL

712L/DT
712L/BE



Knob trim (711K)



711K
711-NL

Round ball knob
Escutcheon: 8 1/8" x 1 7/8"
Projection: 3 7/8"
Brass

For keyed functions, see page 26 for cylinder requirements.

Athena (715)



715DT

Grip overall: 9 1/8"
Width: 1 1/16"
Pull: 6 1/4" C x C
Projection: 2 1/4"

Lever designs



Avalon (AVA)
Projection 3 1/4"



Quantum (QUA)
Projection 3 1/4"



Dane (DAN)
Projection 3"



Broadway (BRW)
Projection 3 1/5"



Boardwalk (BRK)
Projection 3 1/5"



Danish (DSH)
Projection 2 9/10"



Latitude (LAT)
Projection 3 1/10"



Longitude (LON)
Projection 3 1/10"



Sutro (SUT)
Projection 3 1/4"

All levers return to within 1/2" of door.

Escutcheon: 8 1/8" (H) x 1 7/8" (W) (specify handing) brass finish.

Protected by easily replaceable shear pin.

Lever is reversible, supplied RHR if not specified. For keyed functions, see page 26 for cylinder requirements.

Delta trims



718DT



718C



718NL



717DT



718TL



718TL-BE

Specify handing
Escutcheon: 8 1/8" x 1 7/8"
Projection: 2 1/4"
All Delta pulls: 6 1/4" C x C
NL and DT: 14 1/16" x 2 1/4"

Cylinder information

Key retracts latch bolt.
Cylinder sold separately
(see page 26).

Brass and/or plated finishes.

For cylinder information see page 26.
When locking function is not required,
specify trim by (BE) blank escutcheon.

24 Series

Trim chart & finish chart

Function

	Lock/ unlock	NL	DT	BE	NLOP
Lever ¹ (712)	712L	712L-NL	712L-DT	12L-BE	
Knob (711)	711K	711K-NL	—	711K_BE	
Delta (717)	—	—	717DT	—	
Delta (718)	—	718NL	718DT	—	718C
Athena (715)	—	—	715DT		

¹ Specify hand.

24 Series finishes

	Color	US number	BHMA number
	Brass, bright	US3	605
	Brass, satin	US4	606
	Bronze, satin	US10	612
	Bronze, aged	US11	643e*
	Nickel, satin	US15	619*
	Black, matte	US19	622*
	Chromium, bright	US26	625
	Chromium, satin	US26D	626
	Anodized aluminum	US28	628
	Stainless Steel, bright	US32	629
	Stainless Steel, satin	US32D	630
	Anodized duranodic	313AN	710

*Available on select devices and trims

24 Series

Types and functions

	Rim devices ANSI type 4	Vertical rod devices ANSI type 5	Concealed vertical rod devices ANSI type 6
Functions (ANSI)	(F)-24-R	(F)- 24-V	(F)-24-C
EO (01) Exit only, no trim.	24-R-EO	24-V-EO	24-C-EO
DT (02) Entrance by trim when actuating bar is locked down. Note: Fire exit devices cannot be dogged down. Some codes permit electric dogging with fail secure circuitry.	24-R-DT	24-V-DT	24-C-DT
NL (03) Entrance by trim when latchbolt is retracted by key. Key removable only when locked.	24-R-NL	24-V-NL	24-C-NL
	Rim devices ANSI type 4	Vertical rod devices ANSI type 5	Concealed vertical rod devices ANSI type 6
	(F)-24-R	(F)- 24-V	(F)-24-C
L or K (08) Entrance by knob or lever. Key locks or unlocks knob.	24-R-L or K	24-V-L or K	24-C-L or K
L (NL) or K (NL) (09) Entrance by knob or lever only when released by key. Key removable only when locked.	24-R-L or K(NL)	24-V-L or K(NL)	24-C-L or K(NL)

24 Series

Door application

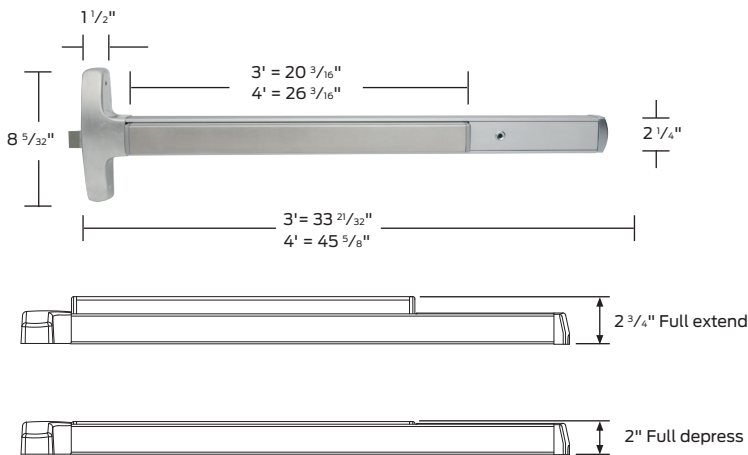
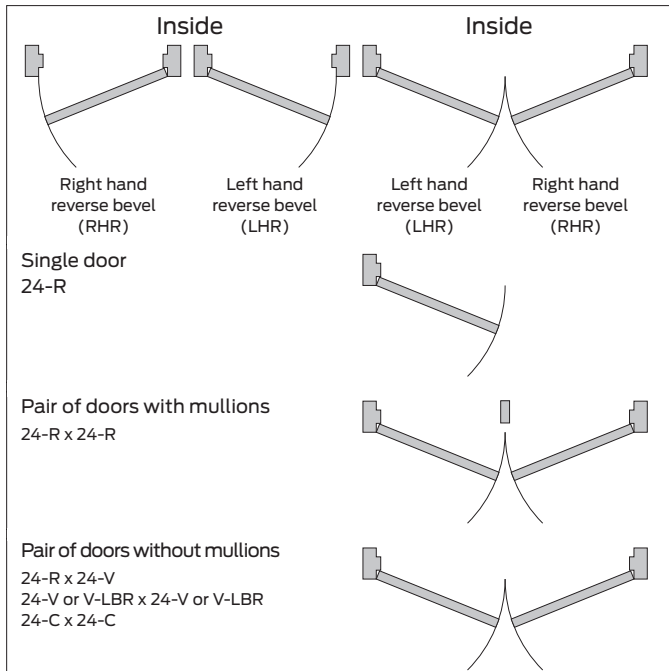
Label doors

Falcon models F-24-R, F-24-C and F-24-V are labeled for use as  fire exit hardware.

Door thickness

All devices and components supplied for 1 3/4" – 3'0" x 7'0" doors standard. Specify door thickness if other than 1 3/4".

Door application chart



Product information and specifications contained in this catalog are subject to change without notice. Please consult the factory.