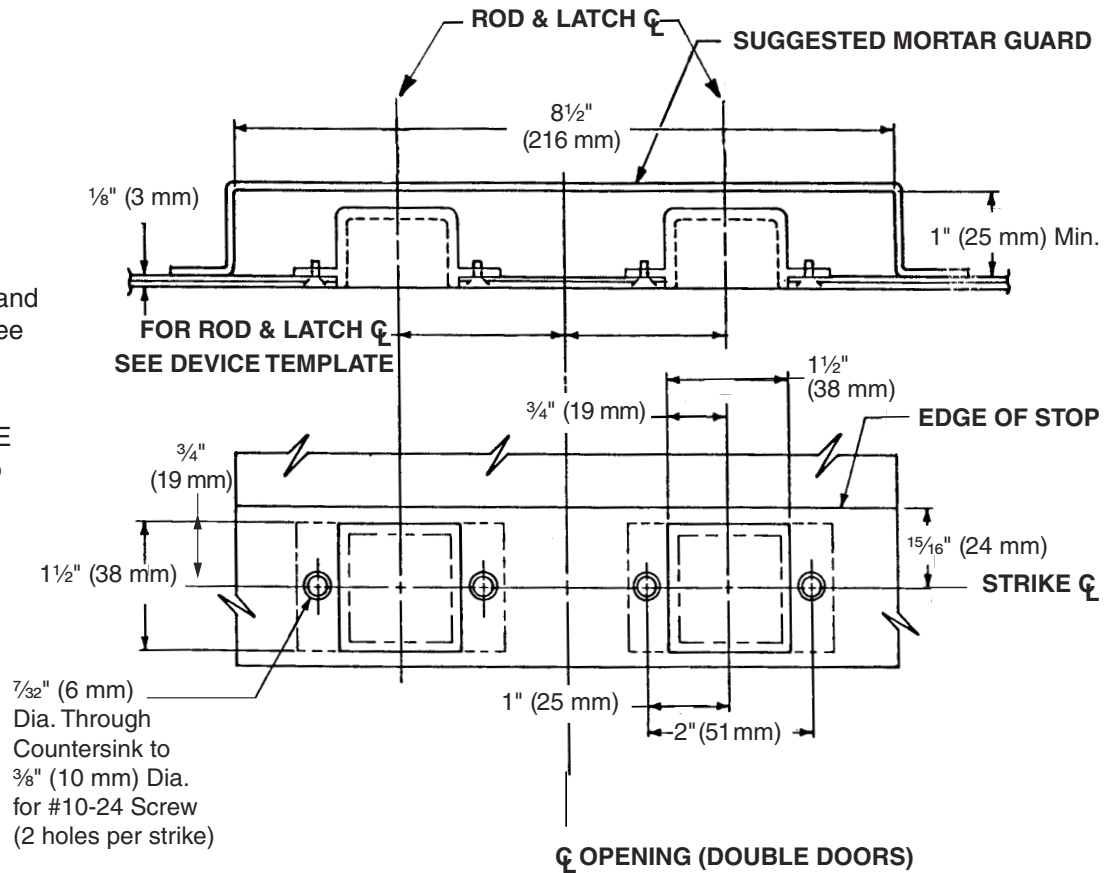


4188 Strike

Metal Door, LHR Shown, RHR Opposite

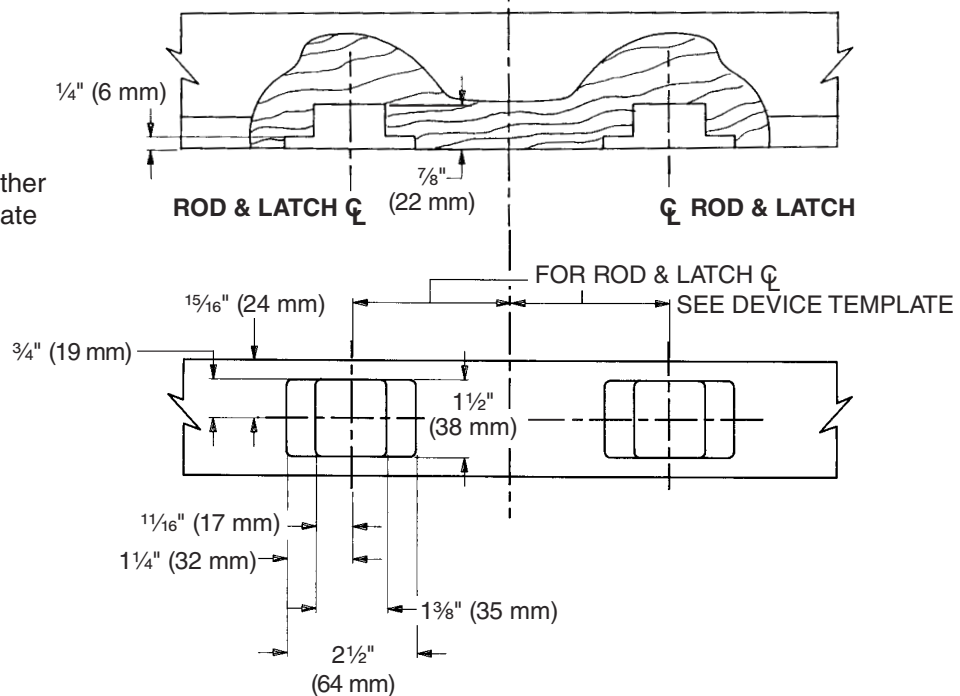
Metal Frame

- For device function and other dimensions, see appropriate device or trim templates.
- For NARROW STILE applications, refer to Template T-3035.



Wood Frame

- For device function and other dimensions, see appropriate device or trim templates.
- For NARROW STILE applications, refer to Template T-3035.
- Strike must be clearanced and countersunk for #10 screw head.



TEMPLATE
T-3034-a