



D-4025

Mullion

2923

FALCON®

Installation Instructions

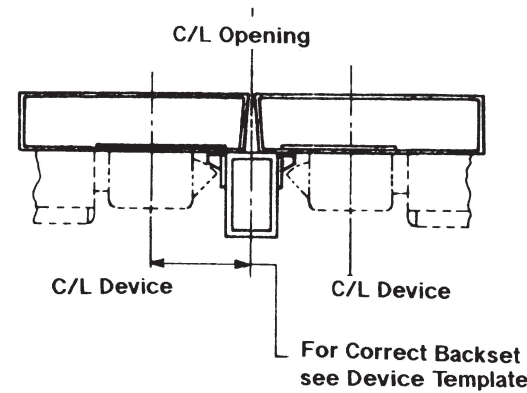
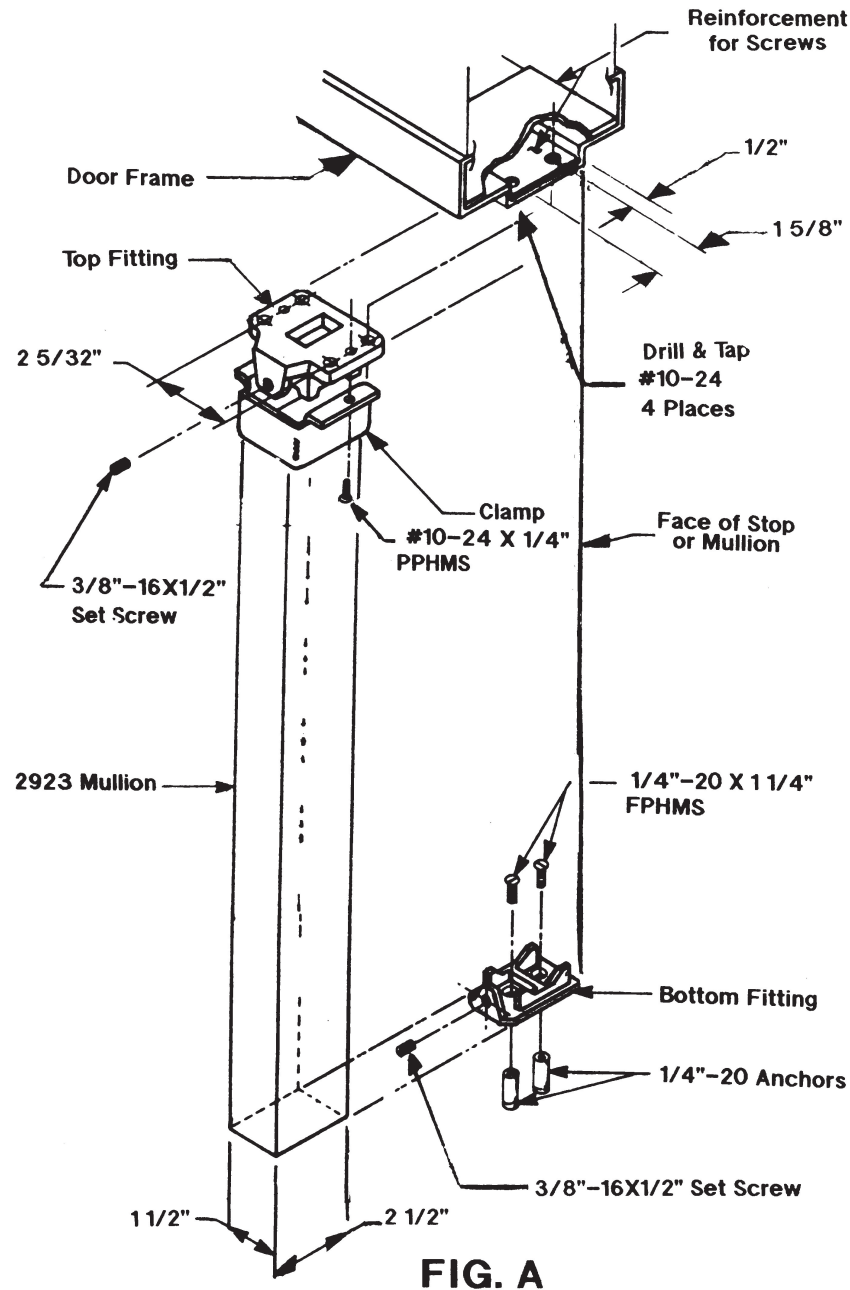


FIG. B

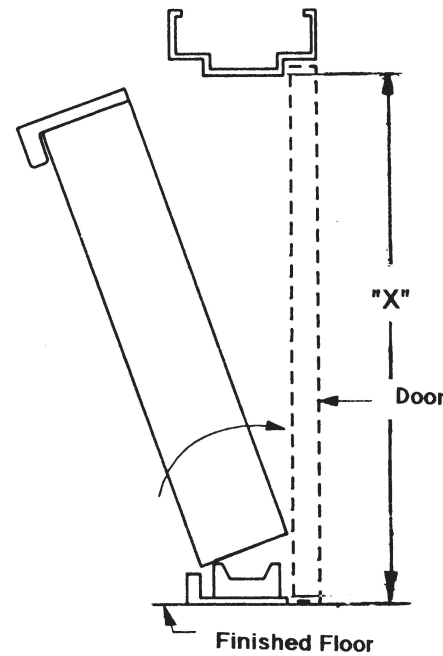


FIG. C

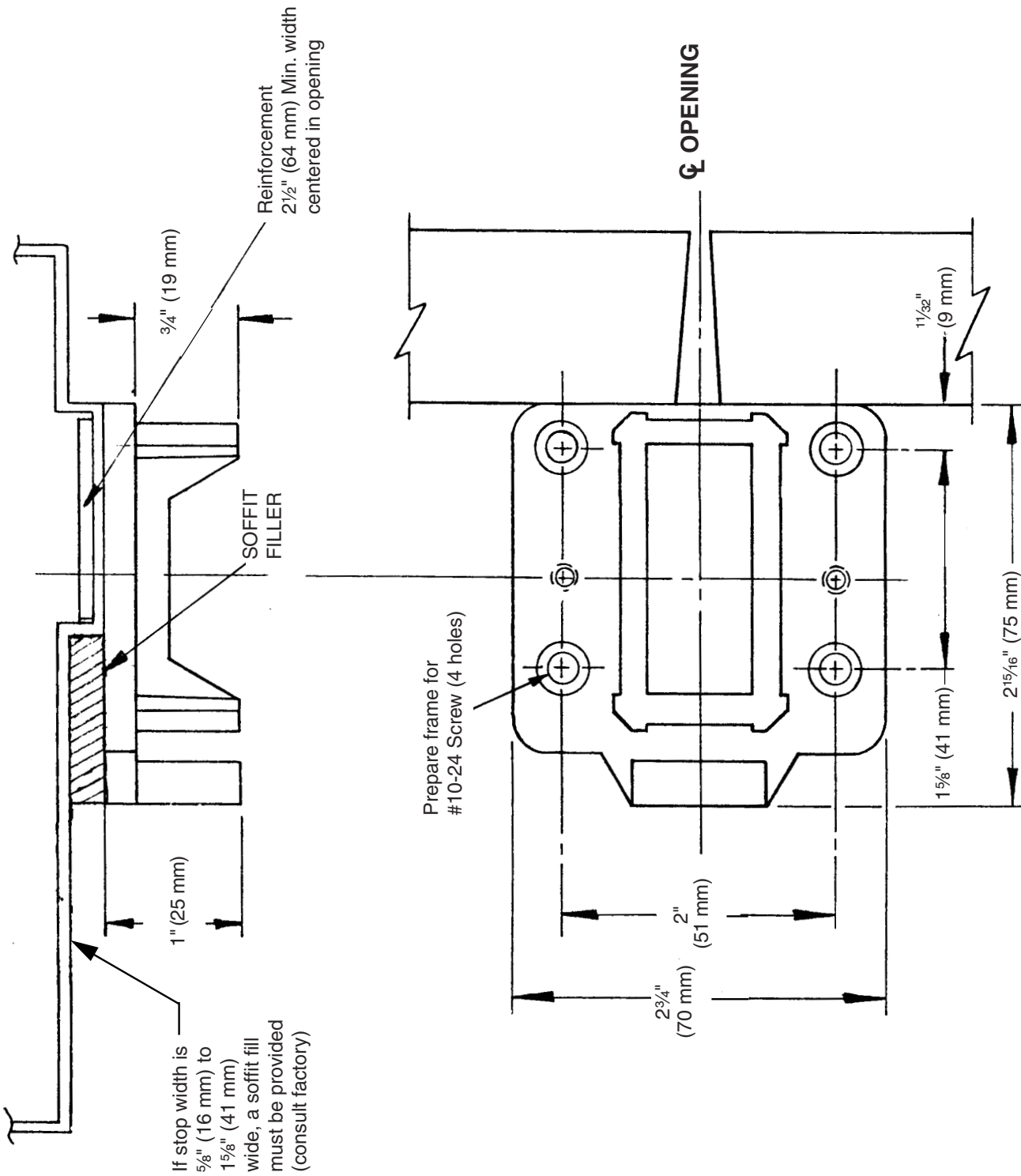
1. INSTALL BOTTOM FITTING USING ANCHORS PROVIDED AS SHOWN IN FIG. A. AND FIG. B.
2. DRILL AND TAP FRAME FOR TOP FITTING AS SHOWN IN FIG. A.
3. VERIFY MULLION LENGTH AS FOLLOWS:
 - A) PLACE TOP MULLION FITTING INTO TOP OF MULLION.
 - B) LOCATE MULLION INTO DOOR OPENING AS SHOWN IN FIG. C.
 - C) IF MULLION DOES NOT FIT INTO OPENING THEN
 - 1) MEASURE OPENING SIZE "X" AS SHOWN IN FIG. C.
 - 2) CALCULATE REQUIRED LENGTH = "X" - 3/4"
 - 3) CUT MULLION TO THE REQUIRED LENGTH AND REINSTALL MULLION INTO OPENING.
4. INSTALL TOP MULLION FITTING WITH (4) MOUNTING SCREWS INTO DOOR FRAME.
5. INSTALL CLAMP WITH #10-24 SCREWS, SEE FIG. A.
6. INSTALL 3/8"-16 SET SCREWS SECURELY INTO TOP AND BOTTOM FITTING.
7. PROCEED WITH DEVICE INSTALLATION.

Customer Service
 1-877-671-7011 www.allegion.com/us



2923 Mullion Top Fitting Frame Preparation

Metal Door



TEMPLATE

T-4025-a