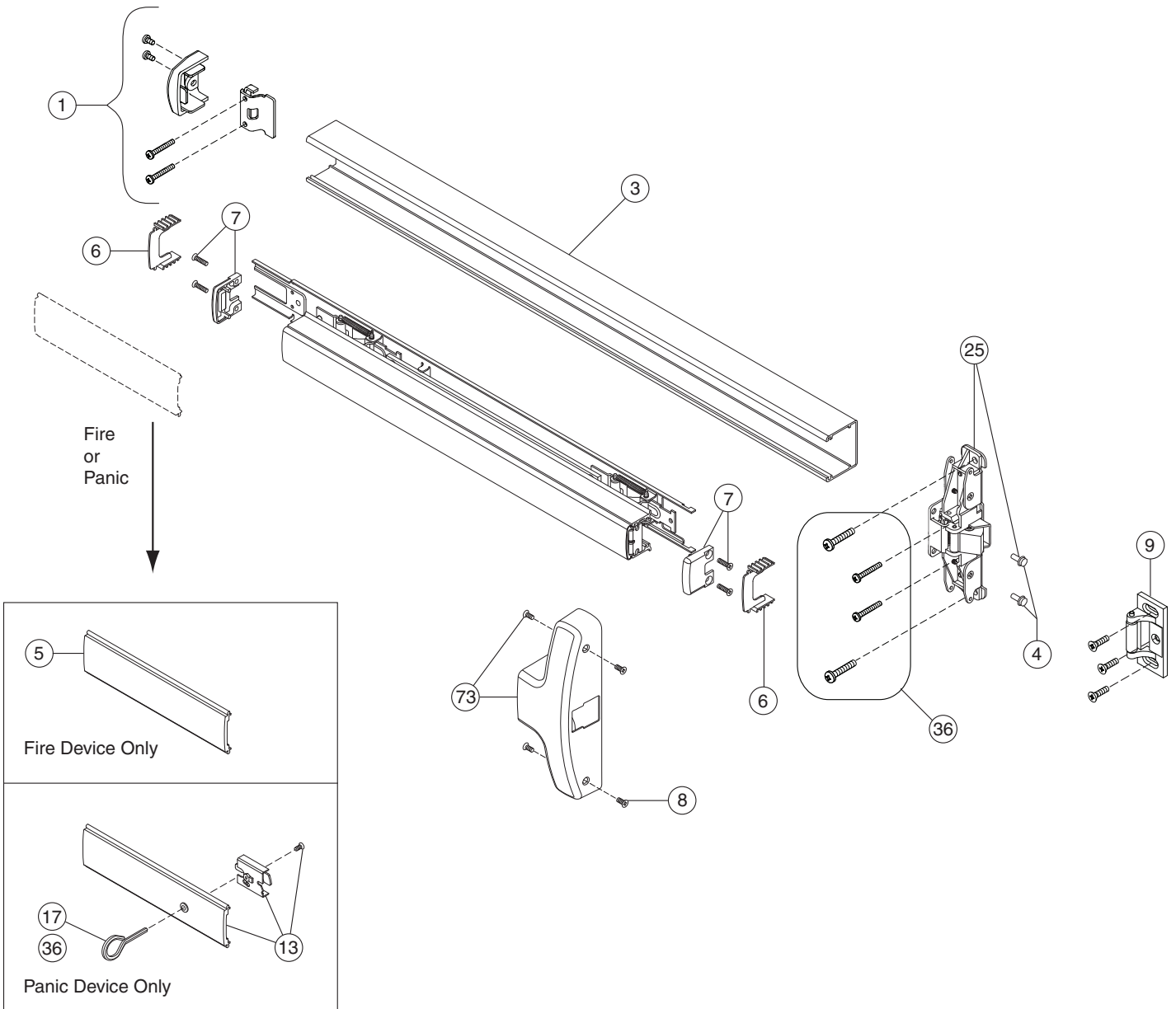


24 Series

- 18 (F)24 rim exit device
- 20 (F)24-V surface vertical rod exit device
- 22 (F)24-C concealed vertical rod exit device
- 24 (F)24-V surface vertical rods and latches
- 26 (F)24-C and F-24-C-WDC-90 concealed vertical rods and latches
- 28 24-C-WDC and F-24-C-WDC-20 concealed vertical rods latches
- 30 24 Series: knob (711) and lever (712) trim—rim and vertical device
- 32 24 Series: knob (711) and lever (712) trim—concealed device
- 34 24 Series: knob (711) and lever (712) dummy trim for rim, vertical and concealed device
- 36 24 Series: Athena (715) pull and Delta pull (717, 718) trim for rim and vertical device
- 37 24 Series: Delta pull (717, 718) trim for concealed devices
- 38 24 Series: Delta (718) trim for rim and vertical device
- 39 24 Series: Delta (718) trim for concealed device
- 40 24 Series: control pull trim (710) for rim and vertical device
- 41 24 Series: control thumbpiece (710) trim for rim and vertical device
- 42 24 Series: Delta thumbpiece (718) trim for rim and vertical device
- 43 24 Series: Delta thumbpiece (718) trim for concealed device
- 44 24 Series: turn lever (719) trim for surface vertical device
- 45 24 Series: turn lever (719) trim for concealed vertical device

(F)24 rim exit device

Panic and fire



24 Series

No.	Qty.	Part no.	Description	Package contents	Notes
1	1	650294	24 Channel Endcap Kit 1¾" Door	1- Channel Endcap	A
				2- #10-24 x ¾" PPHMS	
				1- Channel Endcap Bracket	
				2- #10-24 x 1" PPHMS	
				2- #10 x 1¼" PPHSMS	
		650348	24 Channel Endcap Kit 2¼" Door	1- Channel Endcap	A
				2- #10-24 x ¾" PPHMS	
				1- Channel Endcap Bracket	
				2- #10-24 x 1" PPHMS	
				2- #10 x 1¼" PPHSMS	
3	1	661408	24 Channel 3'		A
		661409	24 Channel 4'		
4	1	600305	24 Channel Screw Pkg	10- #10-16 x ½" Hex Washer Head Taptite	
5	1	650121	F-24 Channel Cover 3'		A, B
		650122	F-24 Channel Cover 4'		
6	1	600319	24 Pushbar Guide Pkg	2- Pushbar Guide	
7	1	600310	24 Pushbar Endcap Kit	2- Pushbar Endcap 4- #8-18 x ¾" FPHSMS	A
8	1	600307	Center Case Cover Screw Pkg	4- #8-18 x ¾" UFPHMS	A
9	1	299	299 Strike		C
13	1	650187	24 Hex Dogging Kit 3'	1- Panic Channel Cover 1- Dogging Subassembly	A, B
		650188	24 Hex Dogging Kit 4'	1- #8-32 x ¾" UFPHMS	
17	1	060109	24 Panic Hex Dogging Key 7/32" package of 10		
25	1	650233	24-R Center Case Kit	1- Center Case	
		650234	F-24-R Center Case Kit	2- #10-16 x ½" Hex Washer Head Taptite	
36	1	650324	(F)24-R Mounting Pkg 1¾" Door	2- #10 x 1¼" PPHSMS	*
				2- #14 x 1" PPHSMS	*
				2- 1/4 - 20 x ¾" PPHMS	
				2- 10-24 x 1½" PPHMS	
				1- Dogging Key	
	1	650302	(F)24-R Mounting Pkg 2¼" Door	2- #10 x 1¼" PPHSMS	*
				2- #14 x 1" PPHSMS	*
				2- 1/4 - 20 x 1¼" PPHMS	*
				2- #10-24 x 2" PPHMS	*
73	1	650247	24-R Center Case Cover Kit	1- Center Case Cover	A
		650249	F-24-R Center Case Cover Kit	4- #8-18 x ¾" UFPHMS	

* Item(s) not shown

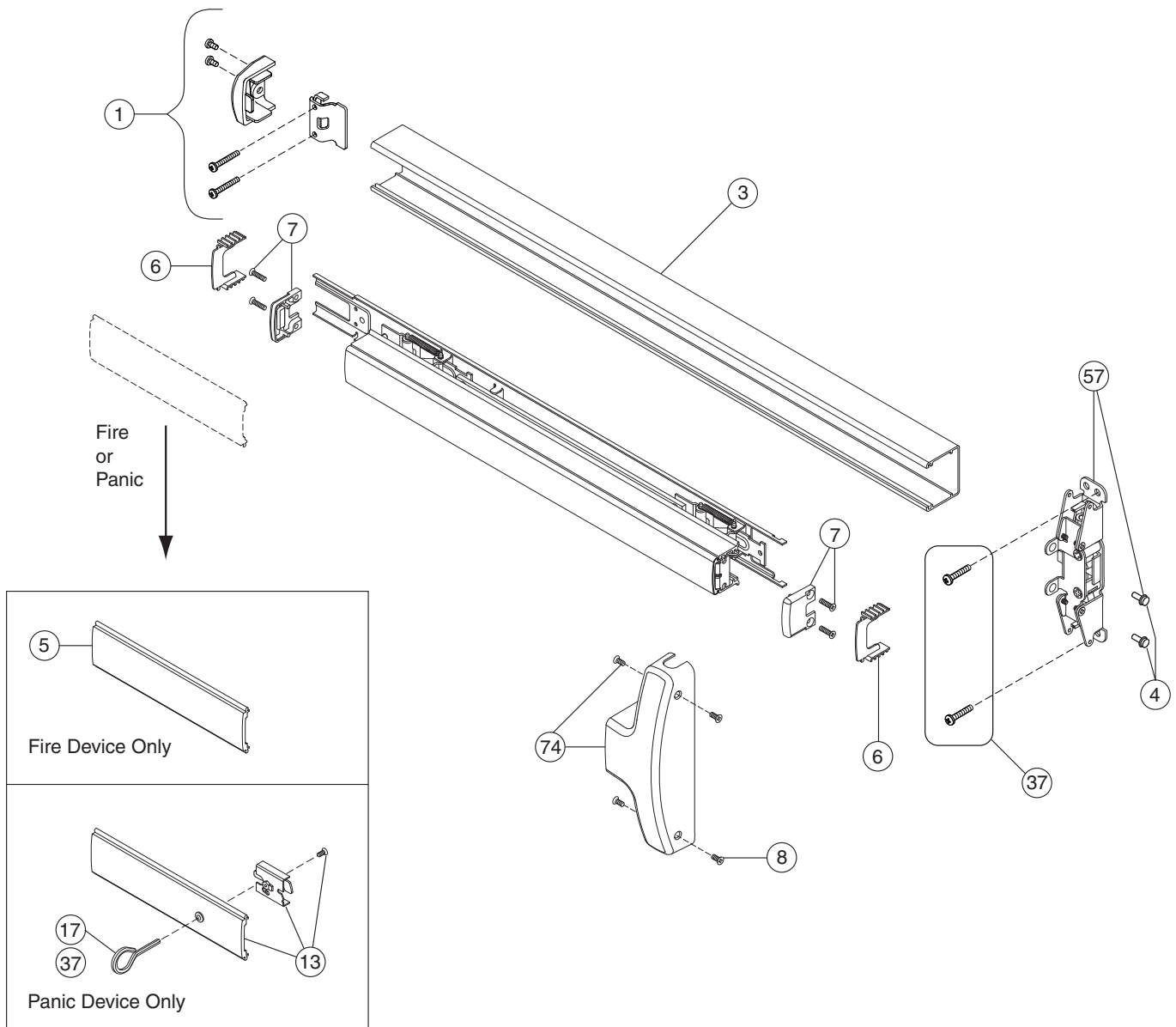
A Specify by finish: US3, US4, US10, 313AN, US26, US32, US26D, US32D, US28

B Channel Covers for CD, EA, HWEA, KOR, see **page 71**

C Specify by finish: US3, US4, US10, US19, US26, US26D, SP313

(F)24-V surface vertical rod exit device

Panic and fire



24 Series

No.	Qty.	Part no.	Description	Package contents	Notes
1	1	650294	24 Channel Endcap Kit 1¾" Door	1- Channel Endcap	A
				2- #10-24 x ¾" PPHMS	
				1- Channel Endcap Bracket	
				2- #10-24 x 1" PPHMS	
				2- #10 x 1¼" PPHSMS	
1	1	650348	24 Channel Endcap Kit 2¼" Door	1- Channel Endcap	A
				2- #10-24 x ¾" PPHMS	
				1- Channel Endcap Bracket	
				2- #10-24 x 1" PPHMS	
				2- #10 x 1¼" PPHSMS	
3	1	661408	24 Channel 3'		A
		661409	24 Channel 4'		
4	1	600305	24 Channel Screw Pkg	10- #10-16 x ½" Hex Washer Head Taptite	
5	1	650121	F-24 Channel Cover 3'		A, B
		650122	F-24 Channel Cover 4'		
6	1	600319	24 Pushbar Guide Pkg	2- Pushbar Guide	
7	1	600310	24 Pushbar Endcap Kit	2- Pushbar Endcap	A
				4- #8-18 x ¾" FPHSMS	
8	1	600307	Center Case Cover Screw Pkg	4- #8-18 x ¾" UFPHMS	A
13	1	650187	24 Hex Dogging Kit 3'	1- Panic Channel Cover	A, B
		650188	24 Hex Dogging Kit 4'	1- Dogging Subassembly 1- #8-32 x ¾" UFPHMS	
17	1	060109	24 Panic Hex Dogging Key 7/32" package of 10		
37	1	650304	24-V Mounting Pkg 1¾" - 2¼" Door	4- #10 x 1¼" PPHSMS	*
				2- #10 x 1¼" FPHSMS	*
				2- #14 x 1" PPHSMS	*
				1- ⅛ x 1" Cotter Key	*
				1- Dogging Key	
		650325	F-24-V Mounting Pkg 1¾" Door	2- #10-24 x ¾" PPHMS	*
				4- #10-24 x ¾" FPHMS	*
				2- 1/4-20 x ¾" PPHMS	
				1- ⅛ x 1" Cotter Key	*
		650201	F-24-V Mounting Pkg 2¼" Door	2- #10-24 x 1¼" PPHMS	*
				4- #10-24 x 1¼" FPHMS	*
				2- 1/4-20 x 1¼" PPHMS	*
1- ⅛" x 1" Cotter Key	*				
57	1	650236	(F)24-V Center Case Kit	1- Center Case	A
				2- #10-16 x ½" Hex Washer Head Taptite	
74	1	650251	(F)24-V Center Case Cover Kit	1- Center Case Cover	A
				4- #8-18 x ¾" UFPHMS	

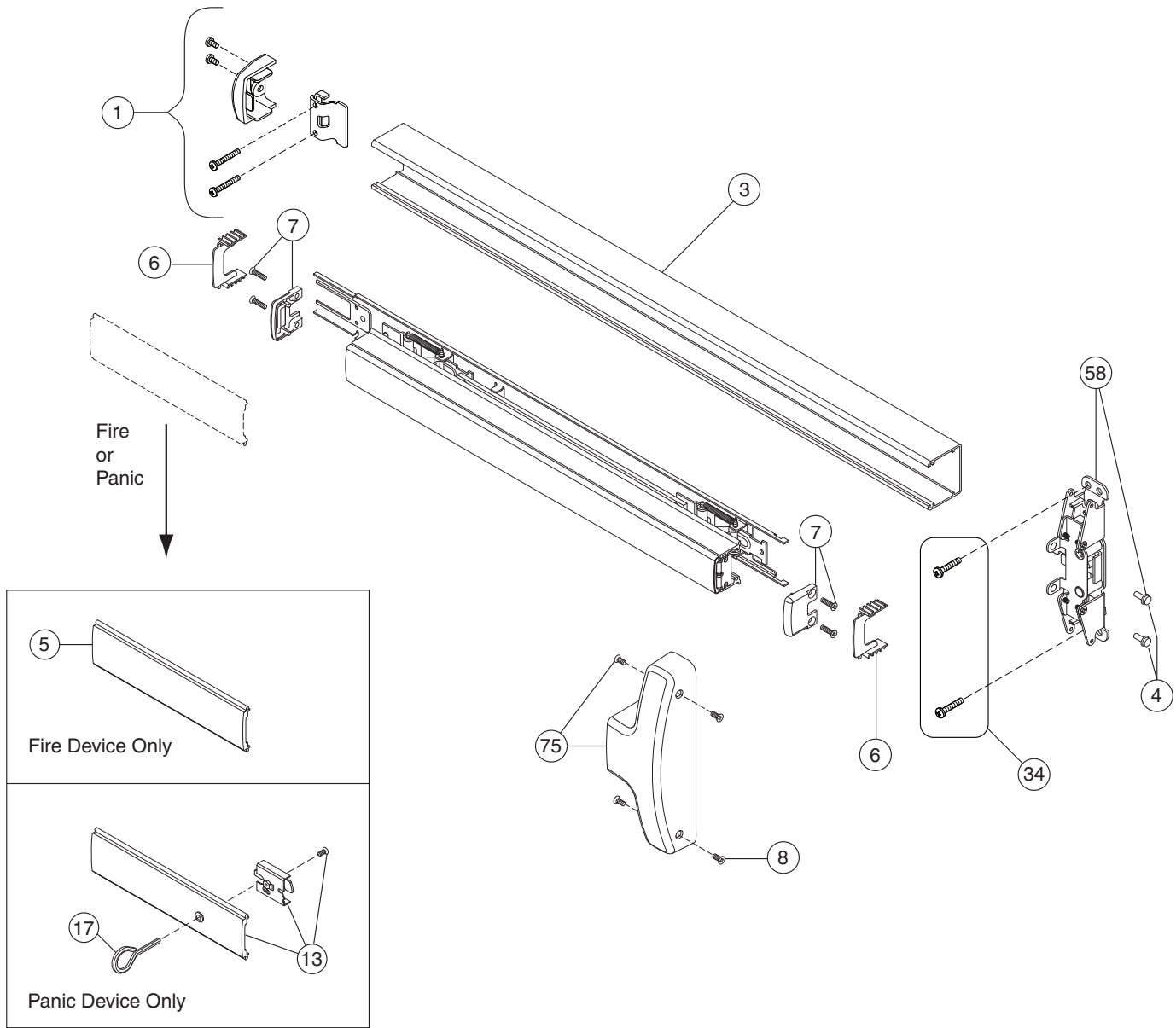
* Item(s) not shown

A Specify by finish: US3, US4, US10, 313AN, US26, US32, US26D, US32D, US28

B Channel Covers for CD, EA, HWEA, KOR, shown on page 71

(F)24-C concealed vertical rod exit device

Panic and fire



Note: (F)24-C Mounting Package(s) shown on **page 26**.

24 Series

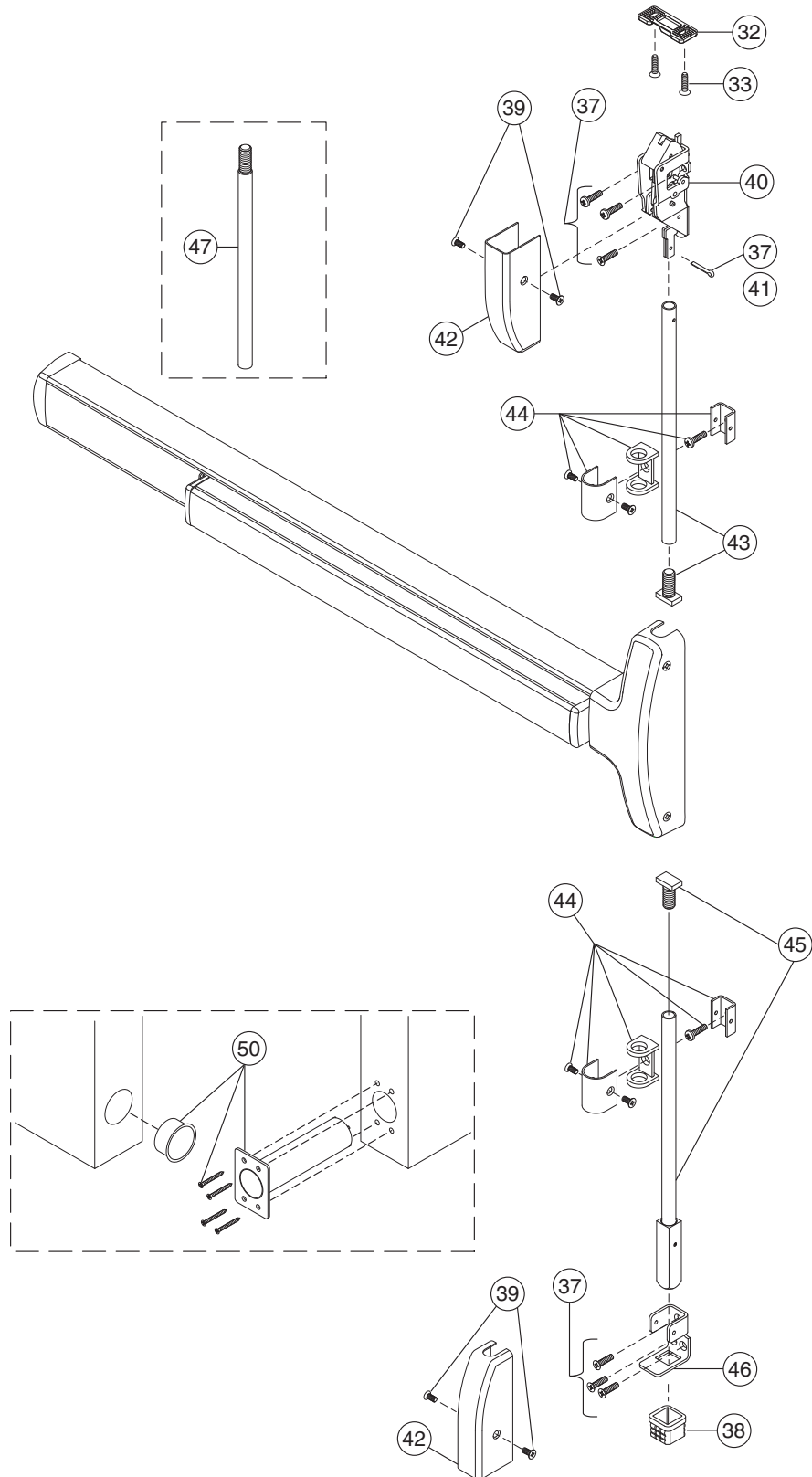
No.	Qty.	Part no.	Description	Package contents	Notes
1	1	650294	24 Channel Endcap Kit 1¾" Door	1– Channel Endcap	A
				2– #10-24 x ⅜" PPHMS	
				1– Channel Endcap Bracket	
				2– #10-24 x 1" PPHMS	
				2– #10 x 1¼" PPHSMS	
1	1	650348	24 Channel Endcap Kit 2¼" Door	1– Channel Endcap	A
				2– #10-24 x ⅜" PPHMS	
				1– Channel Endcap Bracket	
				2– #10-24 x 1" PPHMS	
				2– #10 x 1¼" PPHSMS	
3	1	661408	24 Channel 3'		A
		661409	24 Channel 4'		
4	1	600305	24 Channel Screw Pkg	10– #10-16 x ½" Hex Washer Head Taptite	
5	1	650121	F-24 Channel Cover 3'		A, B
		650122	F-24 Channel Cover 4'		
6	1	600319	24 Pushbar Guide Pkg	2– Pushbar Guide	
7	1	600310	24 Pushbar Endcap Kit	2– Pushbar Endcap	A
				4– #8-18 x ¼" FPHSMS	
8	1	600307	24 Center Case Cover Screw Pkg	4– #8-18 x ⅜" UFPHSMS	A
13	1	650187	24 Hex Dogging Kit 3'	1– Panic Channel Cover	A, B
		650188	24 Hex Dogging Kit 4'	1– Dogging Subassembly 1– #8-32 x ⅜" UFPHMS	
17	1	060109	24 Panic Hex Dogging Key 7/32" package of 10		
34		Included with C, F-24-C, F-24-CWDC Mounting Packages. For package details, refer to page 26 and page 28			
35					
58	1	650238	(F)24-C Center Case Kit	1– Center Case	
				2– #10-16 x ½" Hex Washer Head Taptite	
75	1	650253	(F)24-C Center Case Cover Kit	1– Center Case	A
				4– #8-18 x ⅜" UFPHSMS	

A Specify by finish: US3, US4, US10, 313AN, US26, US32, US26D, US32D, US28

B Channel Covers for CD, EA, HWEA, KOR, shown on **page 71**

(F)24-V surface vertical rods and latches

Panic and fire



24 Series

No.	Qty.	Part no.	Description	Package contents	Notes
32	1	3788	Vertical Rod Top Strike		**
33	2	660002	#10 x 1¼" FPHSMS		
37	1	650304	24-V Mounting Pkg 1¾" - 2¼" Door	2- #10 x 1¼" PPHSMS	*
				4- #10 x 1¼" FPHSMS	*
				2- #14 x 1" PPHSMS	*
				1- ⅛ x 1" Cotter Key	
				1- Dogging Key	*
		650325	F-24-V Mounting Pkg 1¾" Door	2- #10-24 x ¾" PPHMS	*
				4- #10-24 x ¾" FPHMS	
				2-1/4-20 x ¾" PPHMS	*
				1- ⅛ x 1" Cotter Key	
		650201	F-24-V Mounting Pkg 2¼" Door	2- #10-24 x 1¼" PPHMS	*
				4- #10-24 x 1¼" FPHMS	*
				2-1/4-20 x 1¾" PPHMS	*
1- ⅛ x 1" Cotter Key					
39	1	650336	24-V Latch Case Cover Screw Pkg	4- #8-32 x ¼" UFPHMS	
40	1	650389	24-V Top Latch Case - Panic		
		650375	24-V Top Latch Case - Fire		
41	1	060111	⅛" x 1" Cotter Key package of 10		
42	2	650202	24-V Latch Case Cover		B
43	1	4450	24-V Top Rod Kit		B
44	2	650311	24-V Rod Guide Kit		C
45	1	610056	24-V Bottom Bolt Kit		B
46	1	650387	24-V Bottom Guide Assembly (screws not included)		
47	1	650006	Vertical Extension Rod 12"		A
		650007	Vertical Extension Rod 24"		
		650008	Vertical Extension Rod 36"		
50	1	5494	F-24-C Auxiliary Fire Pin Kit (Less Bottom Rod applications only)		

* Item(s) not shown

** For Flush Transom applications, specify part number 4215-019 angle bracket

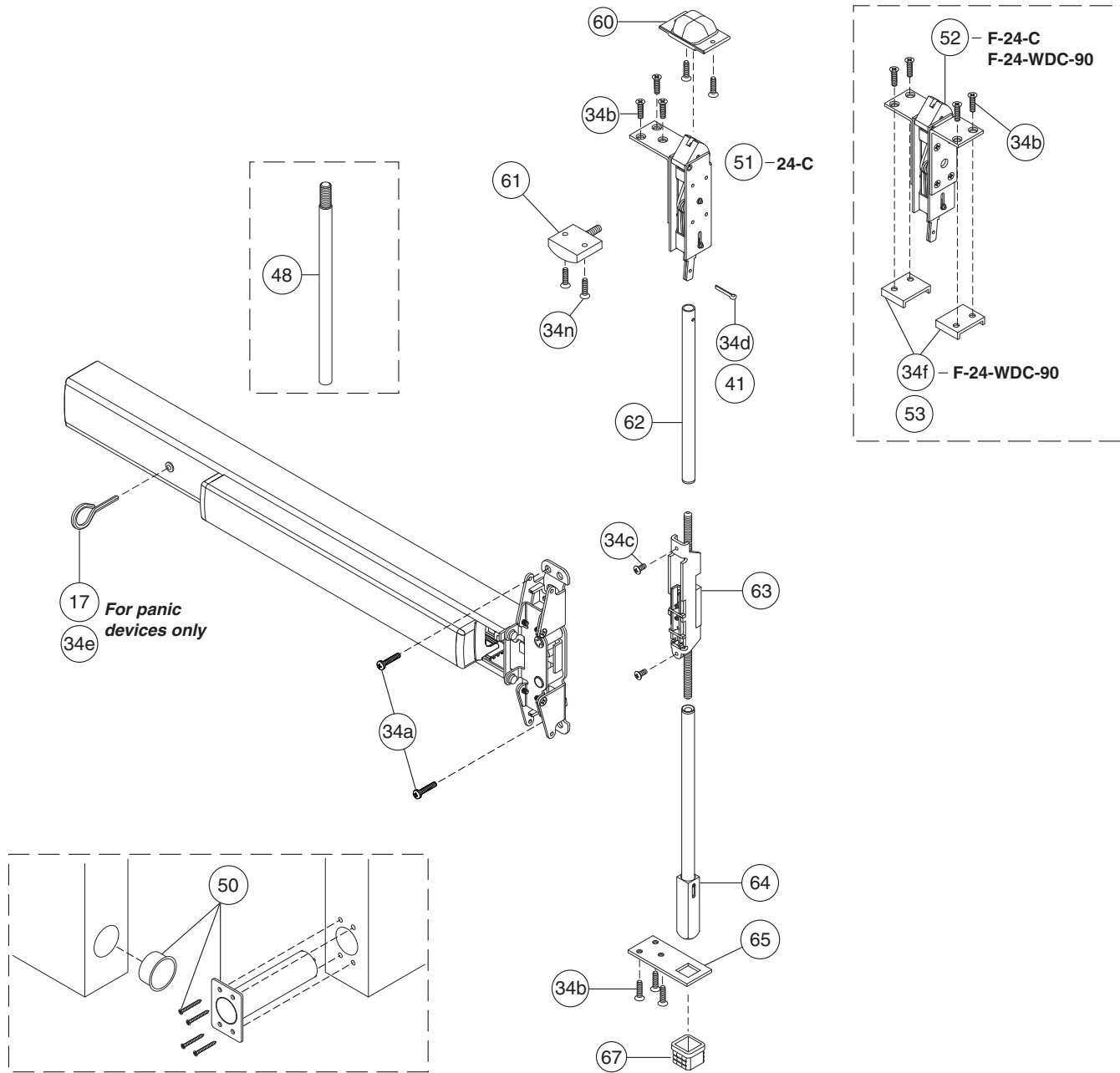
A Specify by finish: US3, US4, US10, US10B, US32, US32D, SP28, SP313

B Specify by finish: US3, US4, US10, US26, US26D, US32, US32D, SP28, SP313

C Specify by finish: US3, US4, US10, US26, US32, US32D, SP28, SP313

(F)24-C and F-24-C-WDC-90 concealed vertical rods and latches

Metal door—panic and fire, wood door—90 minute fire device



No.	Qty.	Part no.	Description	Package contents	Notes
17	1	060109	24 Panic Hex Dogging Key 7/32" package of 10		
34	1	650317	F-24-C Mounting Pkg 1 3/4" Door	34a 8- #10-24 x 3/4" PPHMS 34b 7- #10-24 x 3/4" FPHMS 34c 2- #8-32 x 3/8" UFPHMS 34d 1- 1/8 x 1" Cotter Key — 2- 1/4-20 x 3/4" PPHMS	*

24 Series

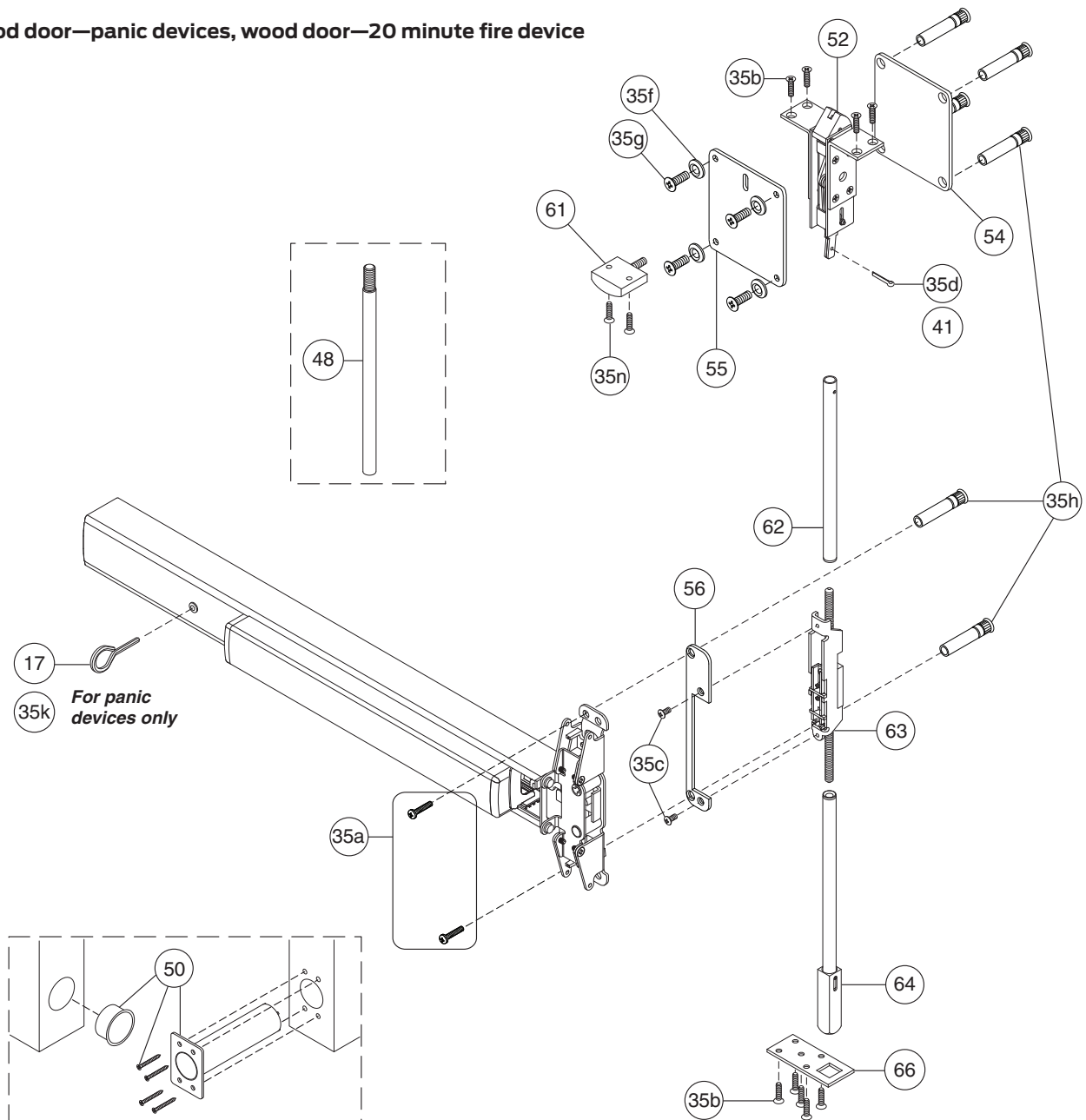
No.	Qty.	Part no.	Description		Package contents	Notes
34	1	650318	24-C Mounting Pkg 1¾" Door	34a	8– #10 x 1¼" PPHSMS	
				34b	6– #10-24 x ¾" FPHMS	
				34c	2– #8-32 x ¾" UFPHMS	
				34d	1– ⅛ x 1" Cotter Key	
				34e	1– Dogging Key	
				–	2– #14 x 1" PPHSMS	*
		650327	F-24-CWDC 90 Minute Mounting Pkg 1¾" Door	34a	4– #10 x 1¼" PPHSMS	
				34b	3– #10 x 1¼" FPHSMS	
				34c	2– #8-32 x ¾" UFPHMS	
				34d	1– ⅛ x 1" Cotter Key	
				34f	2– Latch Bracket	
				–	2– 1/4-20 x ¾" PPHMS	*
		650300	24-C Mounting Pkg 2¼" Door	34a	8– #10 x 1¼" PPHSMS	
				34b	6– #10-24 x 1¼" FPHMS	
				34c	2– #8-32 x ¾" UFPHMS	
				34d	1– ⅛ x 1" Cotter Key	
				34e	1– Dogging Key	
				–	2– #14 x 1" PPHSMS	*
		650346	F-24-C Mounting Pkg 2¼" Door	34a	8– #10-24 x 1¼" PPHMS	
				34b	7– #10-24 x 1¼" FPHMS	
34c	2– #8-32 x ¾" UFPHMS					
34d	1– ⅛ x 1" Cotter Key					
–	2– 1/4-20 x 1¼" PPHMS			*		
41	1	060111	⅛ x 1" Cotter Key package of 10			
48	1	650017	Concealed Vertical Extension Rod 12"			
		650018	Concealed Vertical Extension Rod 24"			
		650019	Concealed Vertical Extension Rod 36"			
50	1	5494	F-24-C Auxiliary Fire Pin Kit (Less Bottom Rod application only)			
51	1	603L	24-C, C-WDC Top Latch Case - LHR			
	1	603R	24-C, C-WDC Top Latch Case - RHR			
52	1	F603	F-24-C, C-WDC Top Latch Case			
53	2	4694	F-24-CWDC Latch Bracket			
60	1	4188	Concealed Vertical Top Rod Strike			
61	1	650339	(F)24-C, CWDC Top Latch Release Kit			A
62	1	610061	(F)24-C, CWDC Top Rod Kit			
63	1	650351	(F)24-C, CWDC Center Slide Assembly			
64	1	610057	(F)24-C, CWDC Bottom Rod Kit			
65	1	4567	24-C Bottom Bolt Guide			
67	1	2130	Vertical Rod Bottom Strike			

* Item(s) not shown

A Specify by finish: US3, US4, US10, 313AN, US26, US32, US26D, US32D, SP28

24-C-WDC and F-24-C-WDC-20 concealed vertical rods latches

Wood door—panic devices, wood door—20 minute fire device



No.	Qty.	Part no.	Description	Package contents	Notes
17	1	060109	24 Panic Hex Dogging Key 7/32" package of 10		
35	1	650326	24-CWDC Mounting Pkg 1 1/4" Door	35a 2- 1/4-20 x 3/4" PPHMS — 4- #10-24 x 1" PPHMS * 35b 11- #10 x 1 1/4" FPHSMS 35c 2- #8-32 x 3/8" UFPHMS — 2- 3/4" CS Plate Mtg Screw * 35d 1- 1/8 x 1" Cotter Key 35f 4- 1/4" CS Finish Washer	A

24 Series

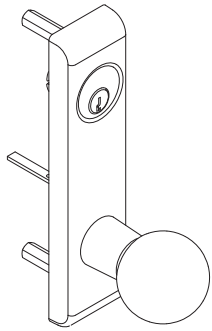
No.	Qty.	Part no.	Description	Package contents		Notes
35	1	650326	24-CWDC Mounting Pkg 1¾" Door	35g	4– ¼-20 x ¾" FPHMS	A
				35h	6– ¼-20 Sexbolt	
				35k	1– Dogging Key	
				35n	2– #10-24 x ¾" FPHMS	
				—	2– #10-24 x ¾" FPHMS *	
		650327	F-24-CWDC 20 Minute Mounting Pkg 1¾" Door	35a	2– ¼-20 x ¾" PPHMS	A
				35b	11– #10 x 1¼" FPHSMS	
				35c	2– #8-32 x ¾" UFPHMS	
				35d	1– ⅛ x 1" Cotter Key	
				—	2– ¾" CS Plate Mtg Screw *	
				35f	4– ¼" CS Finish Washer	
				35g	4– ¼-20 x ¾" FPHMS	
				35h	6– ¼-20 Sexbolt	
				—	4– #10-24 x 1" PPHMS *	
				35n	2– #10-24 x ¾" FPHMS	
		650298	24-CWDC Mounting Pkg 2¼" Door	35a	2– ¼-20 x 1¼" PPHMS	A
				—	4– #10-24 x 1" PPHMS *	
				35b	11– #10 x 1¼" FPHSMS	
35c	2– #8-32 x ¾" UFPHMS					
—	2– #8-32 x ¾" UFPHMS *					
35d	1– ⅛ x 1" Cotter Key					
—	2– ¾" CS Plate Mtg Screw *					
35f	4– ¼-20 x 1¼" FPHMS					
35g	4– ¼" CS Finish Washer					
35h	6– ¼-20 Sexbolt					
35n	2– #10-24 x ¾" FPHMS					
41	1	060111	⅛ x 1" Cotter Key package of 10			
48	1	650017	Concealed Vertical Extension Rod 12"			
		650018	Concealed Vertical Extension Rod 24"			
		650019	Concealed Vertical Extension Rod 36"			
49	1	WF603	F-24-C-WDC Top Latch Case			*
50	1	5494	F-24-C Auxiliary Fire Pin Kit (Less Bottom Rod application only)			
54	1	4833	Top Reinforcement Plate			A
55	1	4834	Top Reinforcement Plate with Access Hole			A
56	1	4832	(F)24-CWDC Center Slide Reinforcement Plate			
61	1	650339	(F)24-C, CWDC Top Latch Release Kit			A
62	1	610061	(F)24-C, CWDC Top Rod Subassembly			
63	1	650376	(F)24-C, CWDC Center Slide Assembly			
64	1	610057	(F)24-C, CWDC Bottom Rod Kit			
66	1	4835	24-CWDC Bottom Bolt Guide			

* Item(s) not shown

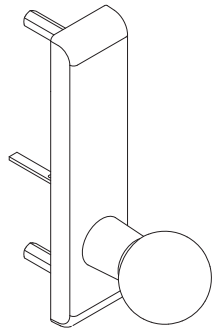
A Specify by finish: US3, US4, US10, 313AN, US26, US32, US26D, US32D, SP28

24 Series: knob (711) and lever (712) trim—rim and vertical device

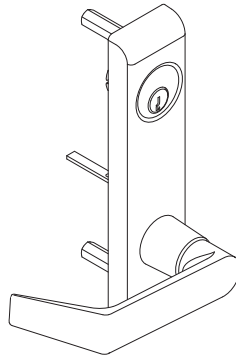
711K, 711K-BE, 711K-NL, 712L, 712L-BE and 712L-NL



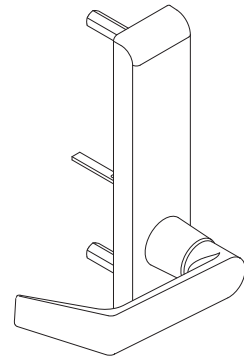
711K
711K-NL



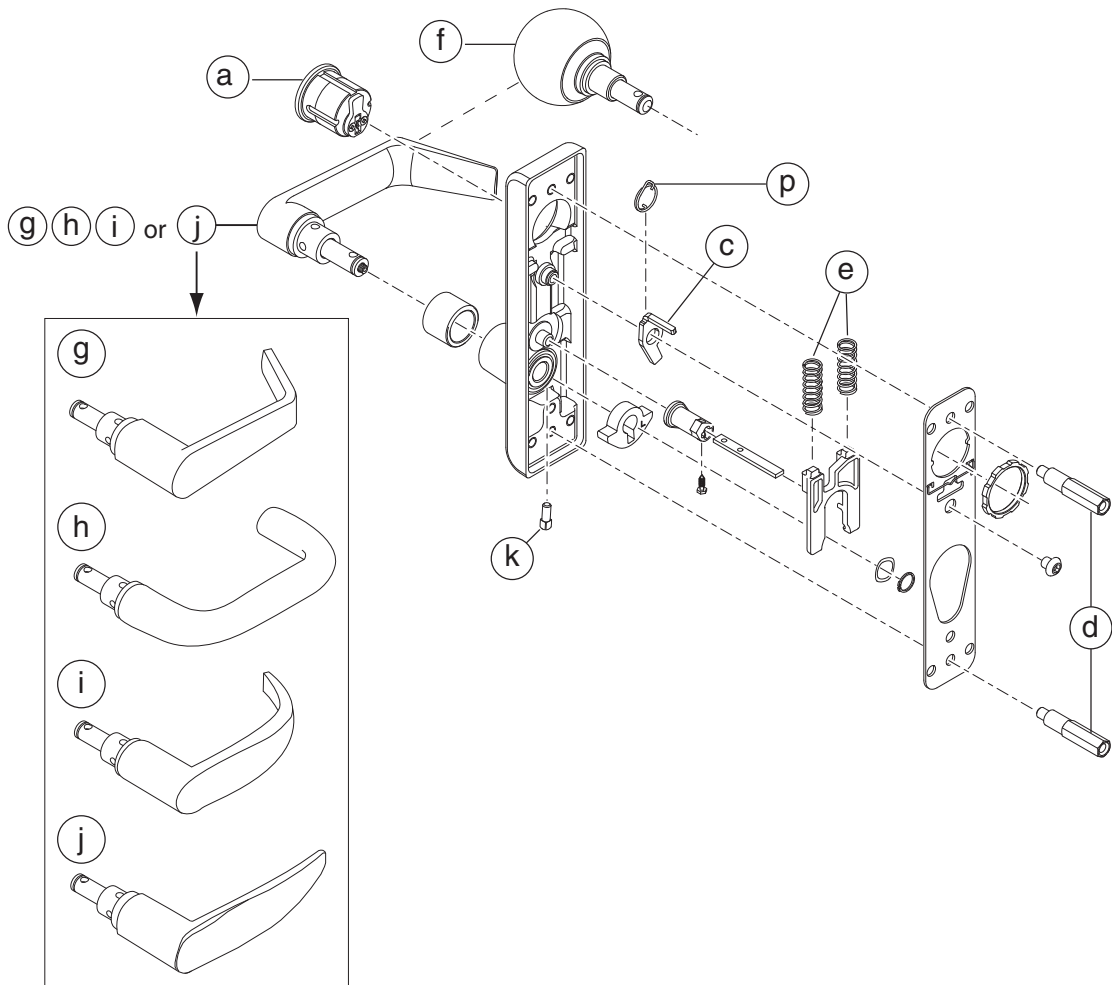
711K-BE



712L
712L-NL



712L-BE



24 Series

No.	Qty.	Part no.	Description	Notes
a	1	986	1¼ " Mortise Cylinder (US3, US4, US10, US10B, US26D, US32, US32D)	B
c	1	661560	700/900 Locking Plate	
d	2	4270	700 Series Trim Hex Stud	
e	1	661565	700 Series Lever Actuator Spring	
	1	661587	700 Series Knob Actuator Spring	
f	1	600298	711 Knob Assembly	A
g	1	600299	712 Dane Lever	A
h	1	600300	712 Sutro Lever	A
i	1	600301	712 Quantum Lever	A
j	1	600337	712 Avalon Lever	A
k	1	600283	Shear Pin, package of 5	
p	1	600339	700/900 NL Spring Package	

A Specify by finish: SP28, SP313, US3, US4, US10, US26, US26D, US32, US32D

B Specify by finish shown

Specifications:

Escutcheon: 1¾" x 7¼"t

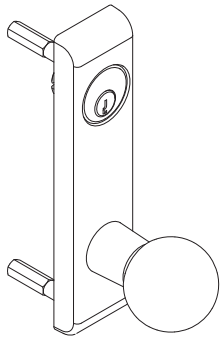
Knob Projection: 4"

Lever Projection:

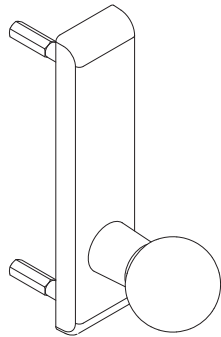
Dane	2¼"
Quantum	3⅛"
Sutro	2⅜"
Avalon	3¼"

24 Series: knob (711) and lever (712) trim—concealed device

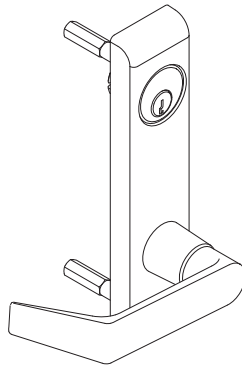
711K, 711K-BE, 711K-NL, 712L, 712L-BE and 712L-NL



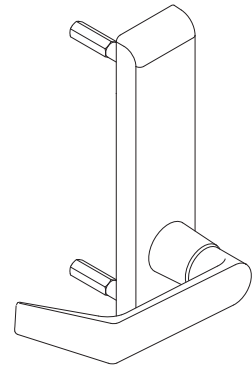
711K
711K-NL



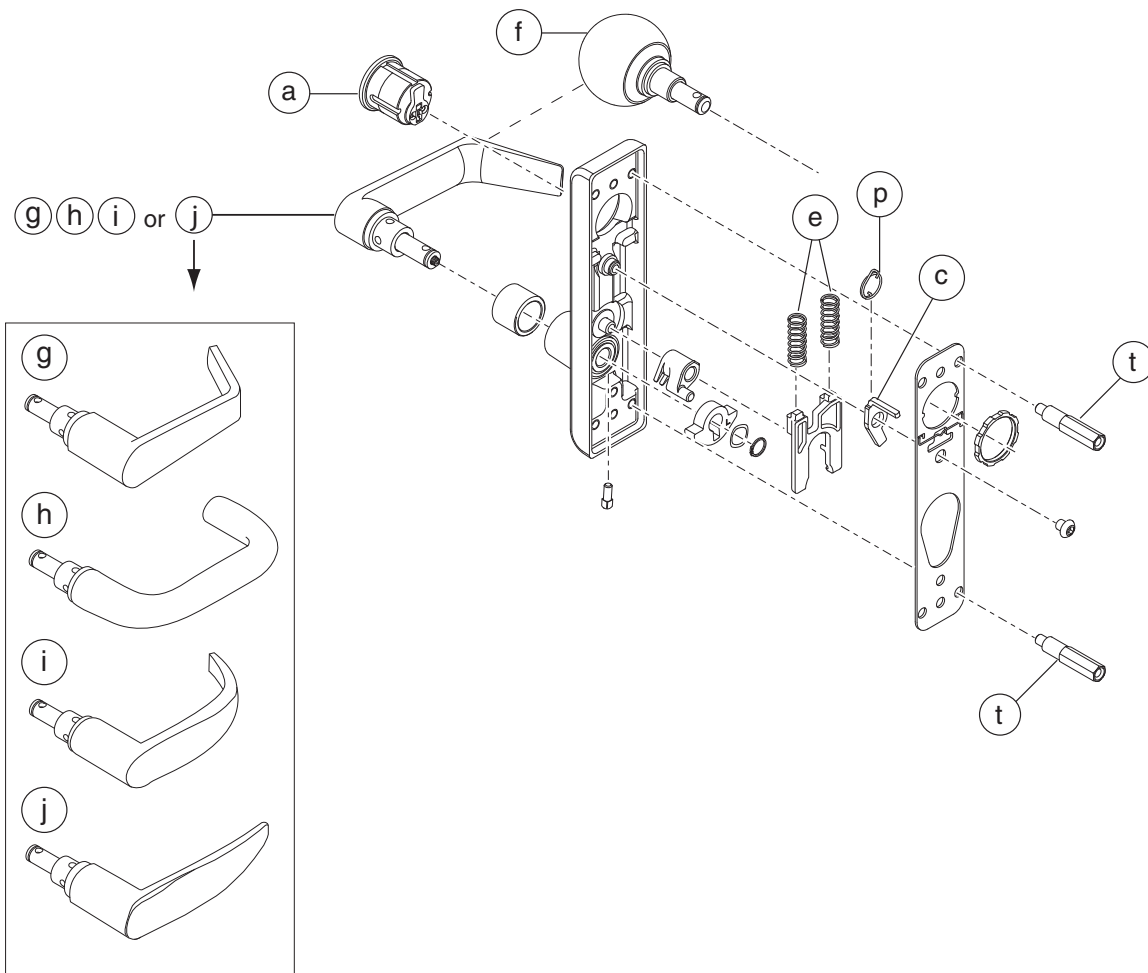
711K-BE



712L
712L-NL



712L-BE



24 Series

No.	Qty.	Part no.	Description	Notes
a	1	986	1¼ " Mortise Cylinder (US3, US4, US10, US10B, US26D, US32, US32D)	B
c	1	661560	700/900 Locking Plate	
f	1	600298	711 Knob Assembly	A
g	1	600299	712 Dane Lever	A
h	1	600300	712 Sutro Lever	A
i	1	600301	712 Quantum Lever	A
j	1	600337	712 Avalon Lever	A
t	2	4349	Control Hex Stud	

A Specify by finish: SP28, SP313, US3, US4, US10, US26, US26D, US32, US32D

B Specify by finish shown

Specifications:

Escutcheon: 1¾" x 7¼"

Knob Projection: 4"

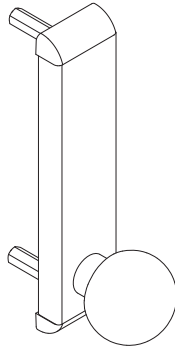
Lever Projection:

Dane	2¼"
Quantum	3⅛"
Sutro	2⅜"
Avalon	3¼"

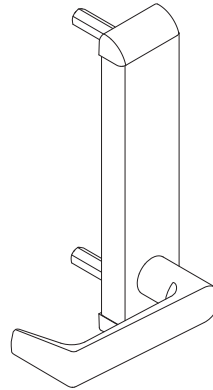
24 Series

24 Series: knob (711) and lever (712) dummy trim for rim, vertical and concealed device

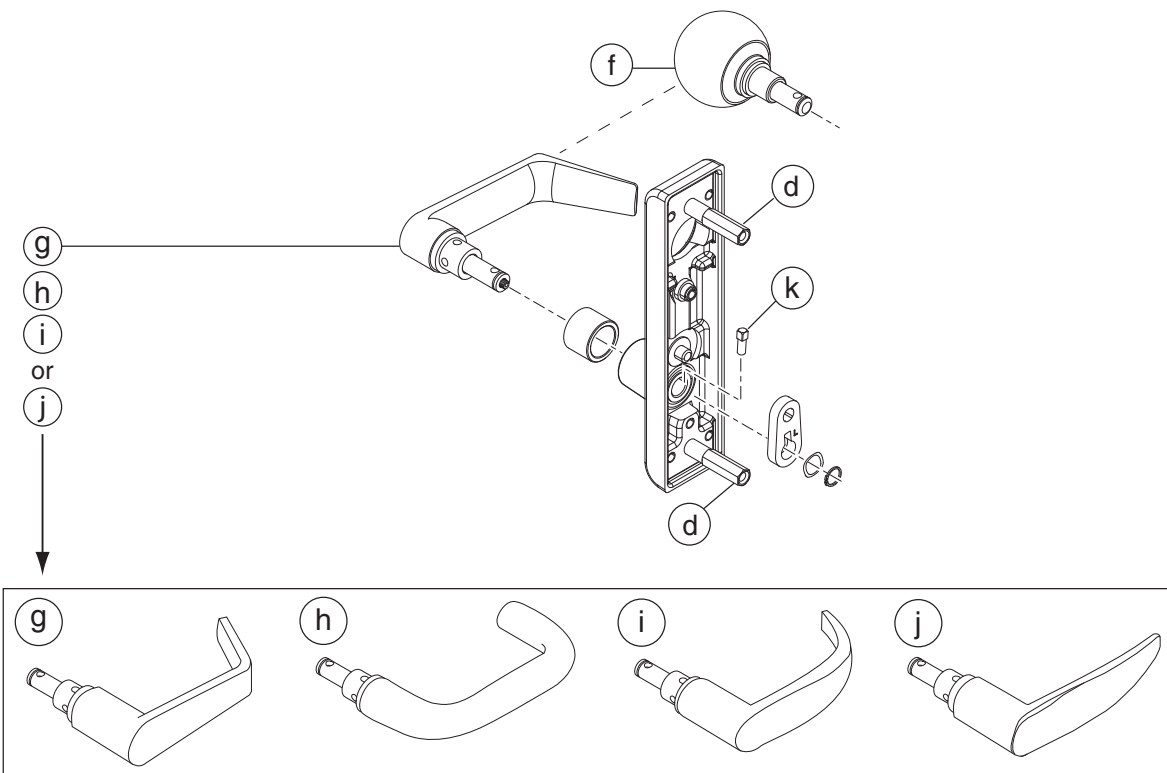
711K-DT and 712L-DT



711K-DT



712L-DT



24 Series

No.	Qty.	Part no.	Description	Notes
d	2	4270	700 Series Trim Hex Stud	
f	1	600298	711 Knob Assembly	A
g	1	600299	712 Dane Lever	A
h	1	600300	712 Sutro Lever	A
i	1	600301	712 Quantum Lever	A
j	1	600337	712 Avalon Lever	A
k	1	600283	Shear Pin, package of 5	

A Specify by finish: SP28, SP313, US3, US4, US10, US15, US26, US26D

Specifications:

Escutcheon:	1 ³ / ₄ " x 7 ¹ / ₄ "	
Knob Projection:	4"	
Lever Projection:	Dane	2 ¹ / ₄ "
	Quantum	3 ¹ / ₈ "
	Sutro	2 ¹³ / ₁₆ "
	Avalon	3 ¹ / ₄ "

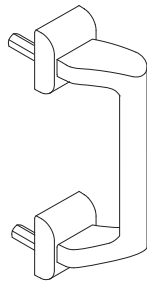
24 Series

24 Series: Athena (715) pull and Delta pull (717, 718) trim for rim and vertical device

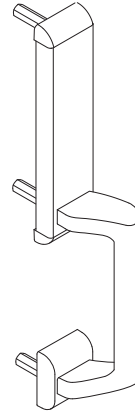
715DT, 717DT and 718DT



715DT



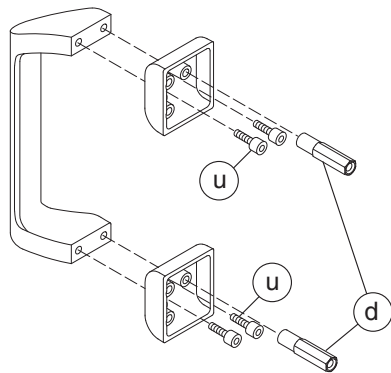
717DT



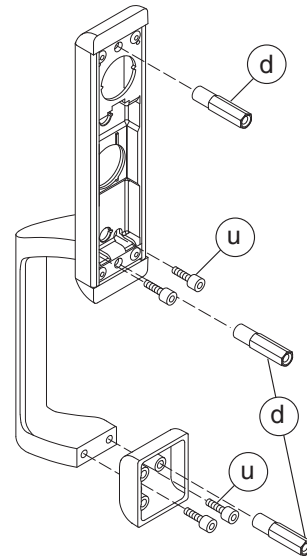
718DT



715DT



717DT



718DT

No.	Qty.	Part no.	Description	Notes
d	3	4270	700 Series Trim Hex Stud	
u	1	600288	717/718/719 Pull Grip Screw package (10- 1/4 - 20 x 1/2" Hex Socket Head Cap Screw)	

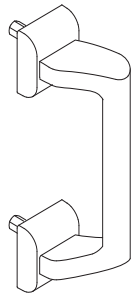
Specifications:

715DT Grip Overall:	1 5/8" x 9"
715DT Pull:	6 1/4" C - C
715DT Projection:	2 1/4"
Delta Pull Projection:	2"
718DT Escutcheon:	1 3/4" x 7 1/4"
718DT Overall Length:	13"

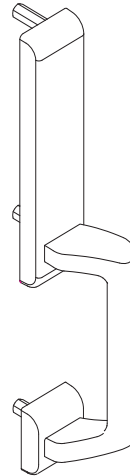
24 Series

24 Series: Delta pull (717, 718) trim for concealed devices

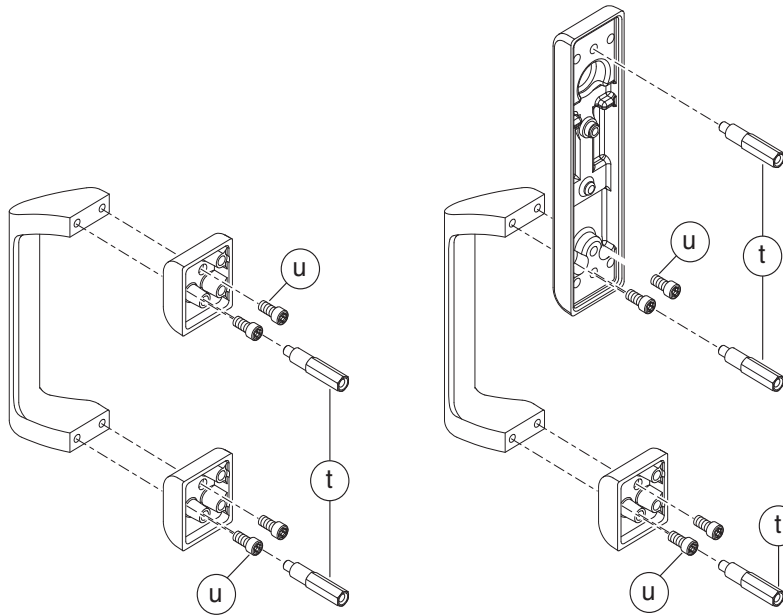
717DT and 718DT



717DT



718DT



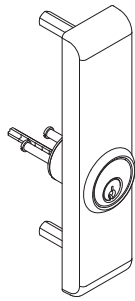
No.	Qty.	Part no.	Description	Notes
t	3	4349	Control Hex Stud	
u	1	600288	717/718/719 Pull Grip Screw package (10- 1/4 - 20 x 1/2" Hex Socket Head Cap Screw)	

Specifications:

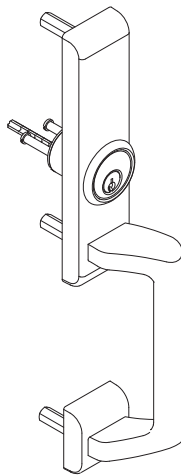
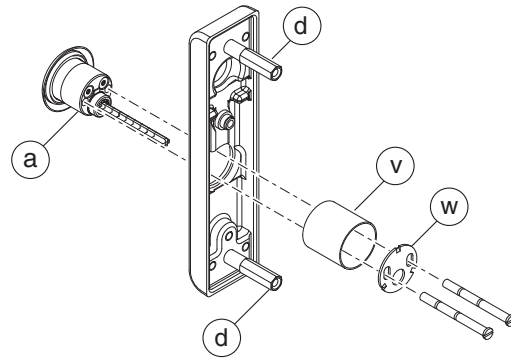
Delta Pull Projection: 2"
 718DT Escutcheon: 1 3/4" x 7 1/4"
 718DT Overall Length: 13"

24 Series: Delta (718) trim for rim and vertical device

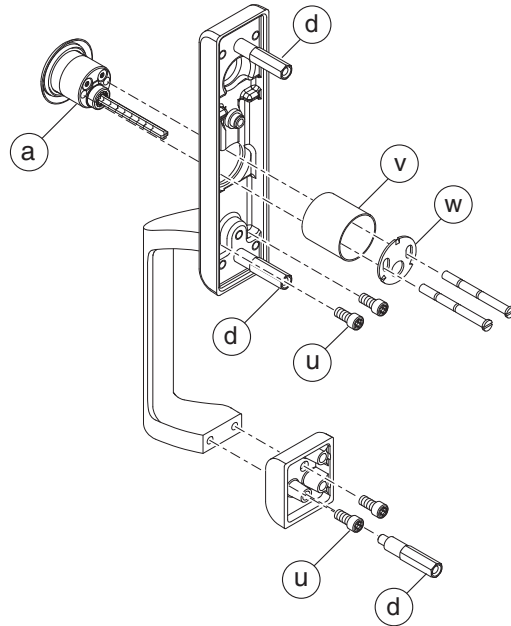
718C and 718-NL



718C



718NL



No.	Qty.	Part no.	Description	Notes
a	1	951	Rim Cylinder (US3, US4, US10, US10B, US26D, US32, US32D)	B
d	3	4270	700 Series Trim Hex Stud	
u	1	600288	717/718/719 Pull Grip Screw package (10- 1/4 - 20 x 1/2" Hex Socket Head Cap Screw)	
v	1	4120	718C/NL Cylinder Spacer Collar	
w	1	4121	718C/NL Cylinder Anchor Plate	

B Specify by finish shown

Specifications:

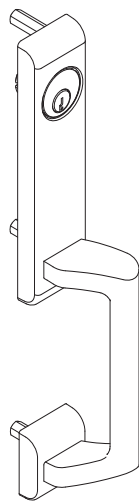
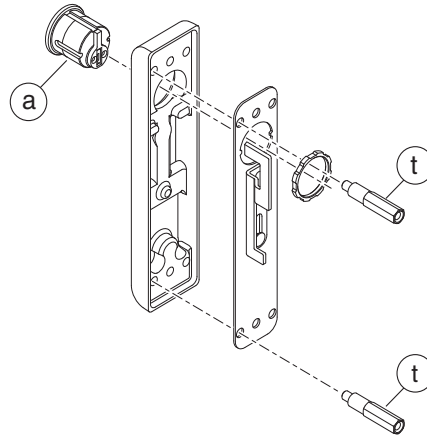
Delta Pull Projection: 2"
 Escutcheon: 1 3/4" x 7 1/4"
 Overall Length: 13"

24 Series: Delta (718) trim for concealed device

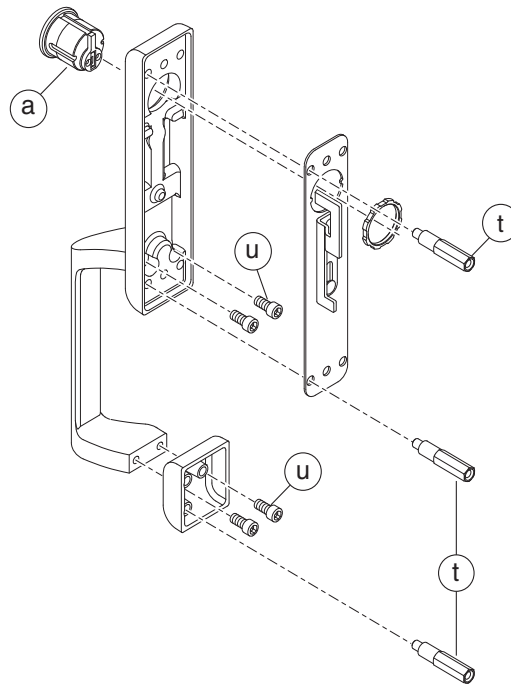
718C and 718-NL



718C



718NL



No.	Qty.	Part no.	Description	Notes
a	1	985	1½" Mortise Cylinder (US3, US4, US10, US10B, US26D, US32, US32D)	B
t	3	4349	Control Hex Stud	
u	1	600288	717/718/719 Pull Grip Screw package (10 - ¼ - 20 x ½" Hex Socket Head Cap Screw)	

B Specify by finish shown

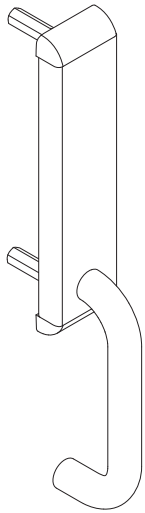
Specifications:

Delta Pull Projection: 2"
 Escutcheon: 1¾" x 7¼"
 Overall Length: 13"

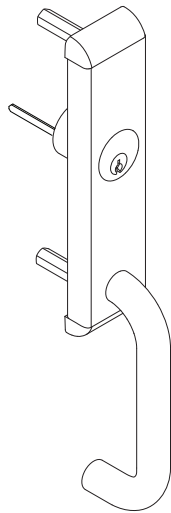
24 Series

24 Series: control pull trim (710) for rim and vertical device

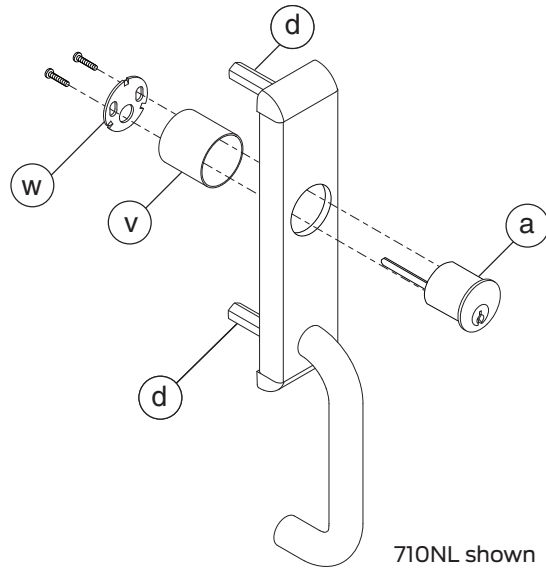
710-DT and 710-NL



710DT



710NL



710NL shown

No.	Qty.	Part no.	Description	Notes
a	1	951	Rim Cylinder (US3, US4, US10, US10B, US26D, US32, US32D)	B
d	2	4270	700 Series Trim Hex Stud	
v	1	4120	710NL Cylinder Spacer Collar	
w	1	4121	710NL Cylinder Anchor Plate	

B Specify by finish shown

Specifications:

Delta Pull Projection: 2"

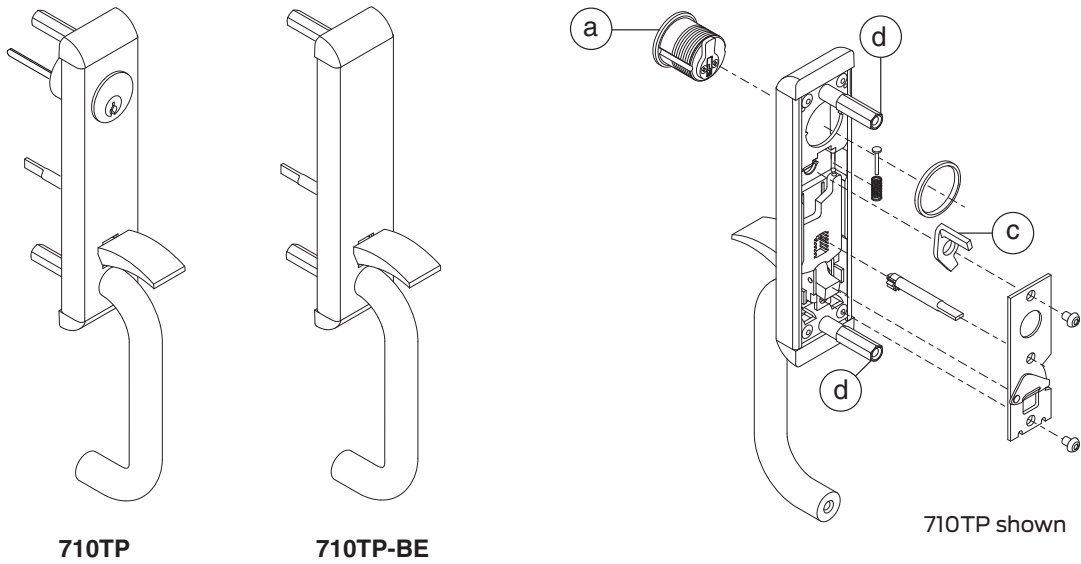
Escutcheon: 1¾" x 7¼"

Overall Length: 11¾"

24 Series

24 Series: control thumbpiece (710) trim for rim and vertical device

710TP and 710TP-BE



No.	Qty.	Part no.	Description	Notes
a	1	986	1¼" Mortise Cylinder (US3, US4, US10, US10B, US26D, US32, US32D)	B
c	1	650314	Locking Plate	
d	2	4270	700 Series Trim Hex Stud	

B Specify by finish shown

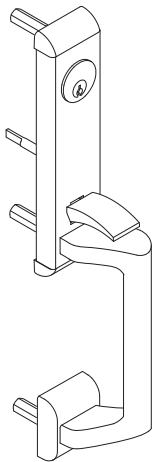
Specifications:

Escutcheon: 1¾" x 7¼"
 Projection: 2¼"
 Overall Length: 11¾"

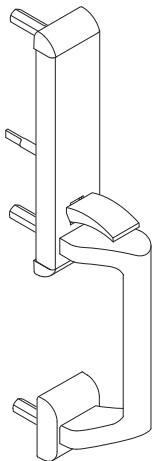
24 Series

24 Series: Delta thumbpiece (718) trim for rim and vertical device

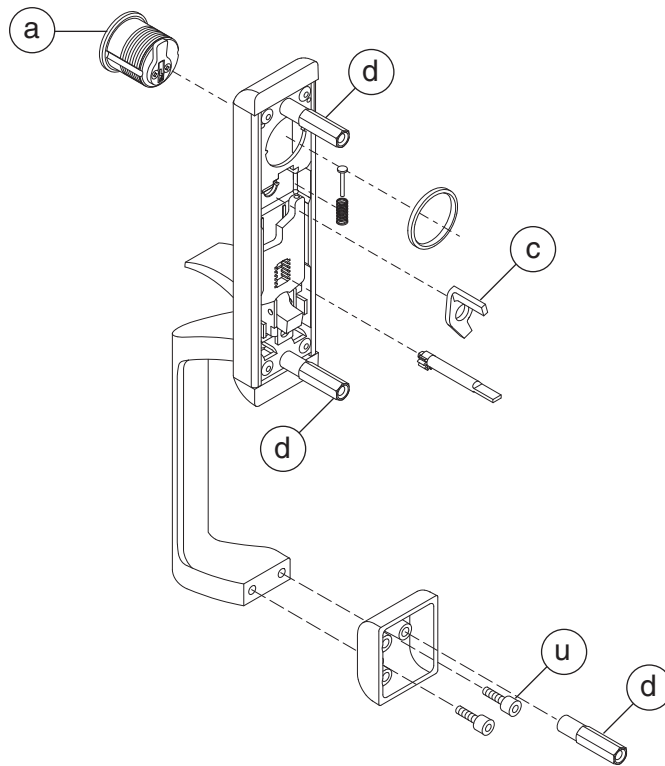
718TP and 718TP-BE



718TP



718TP-BE



718TP shown

No.	Qty.	Part no.	Description	Notes
a	1	986	1½" Mortise Cylinder (US3, US4, US10, US10B, US26D, US32, US32D)	B
c	1	661560	700/900 Locking Plate	
d	3	4270	700 Series Trim Hex Stud	
u	1	600288	717/718/719 Pull Grip Screw package (10- ¼ - 20 x ½" Hex Socket Head Cap Screw)	

B Specify by finish shown

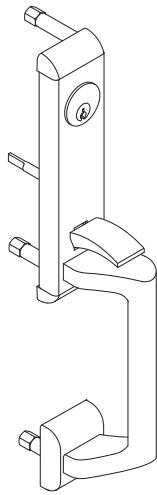
Specifications:

Escutcheon: 1¾" x 7¼"
 Projection: 2"
 Overall Length: 13"

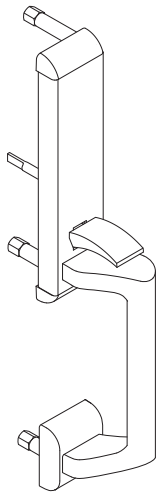
24 Series

24 Series: Delta thumbpiece (718) trim for concealed device

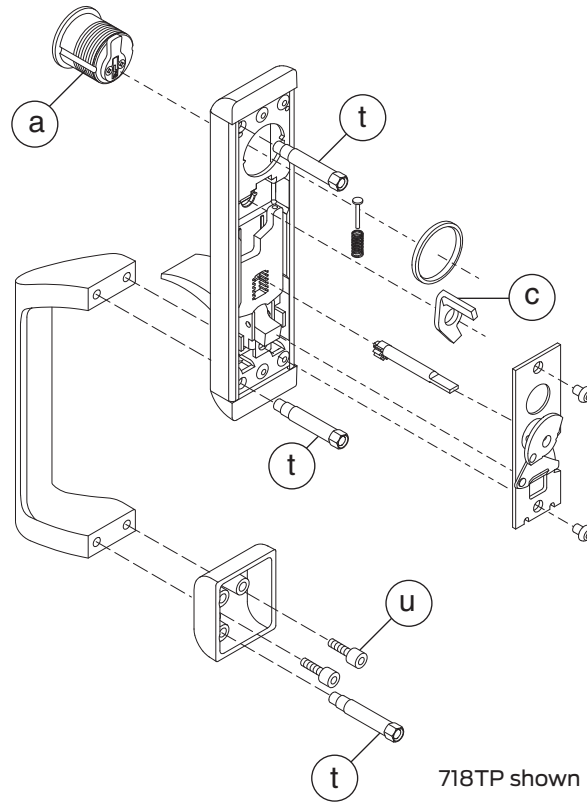
718TP and 718TP-BE



718TP



718TP-BE



No.	Qty.	Part no.	Description	Notes
a	1	986	1 1/8" Mortise Cylinder (US3, US4, US10, US10B, US26D, US32, US32D)	B
c	1	661560	700/900 Locking Plate	
t	3	4349	Control Hex Stud	
u	1	600288	717/718/719 Pull Grip Screw package (10- 1/4 - 20 x 1/2" Hex Socket Head Cap Screw)	

B Specify by finish shown

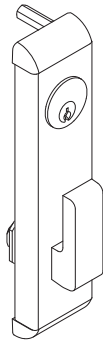
Specifications:

Escutcheon: 1 3/4" x 7 1/4"
 Projection: 2"
 Overall Length: 13"

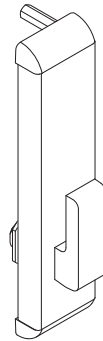
24 Series

24 Series: turn lever (719) trim for surface vertical device

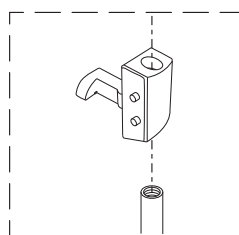
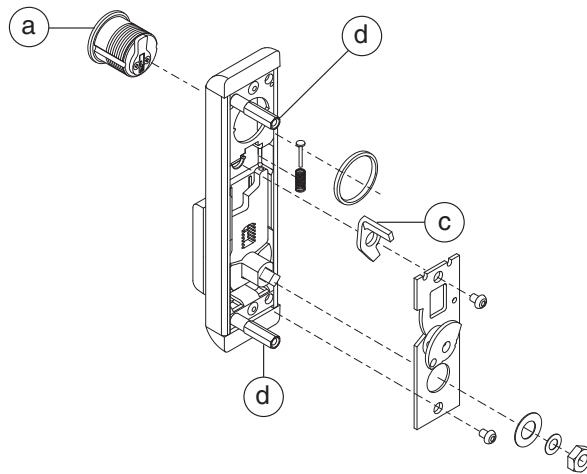
719TL and 719TL-BE



719TL



719TL-BE



Rod member
for 719TL, 719TL-BE
24-V devices

No.	Qty.	Part no.	Description	Notes
a	1	986	1¼" Mortise Cylinder (US3, US4, US10, US10B, US26D, US32, US32D)	B
c	1	661560	Locking Plate	
d	2	4270	700 Series Trim Hex Stud	

B Specify by finish shown

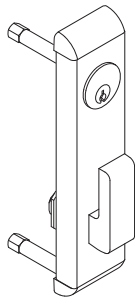
Specifications:

Escutcheon: 1¾" x 7¼"
Projection: 1¾"

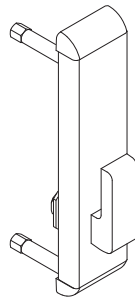
24 Series

24 Series: turn lever (719) trim for concealed vertical device

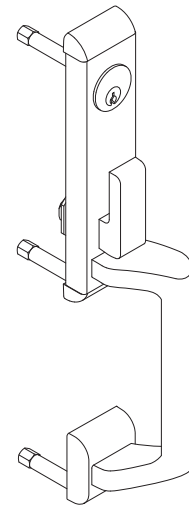
719TL, 719TL-BE and 719TLP



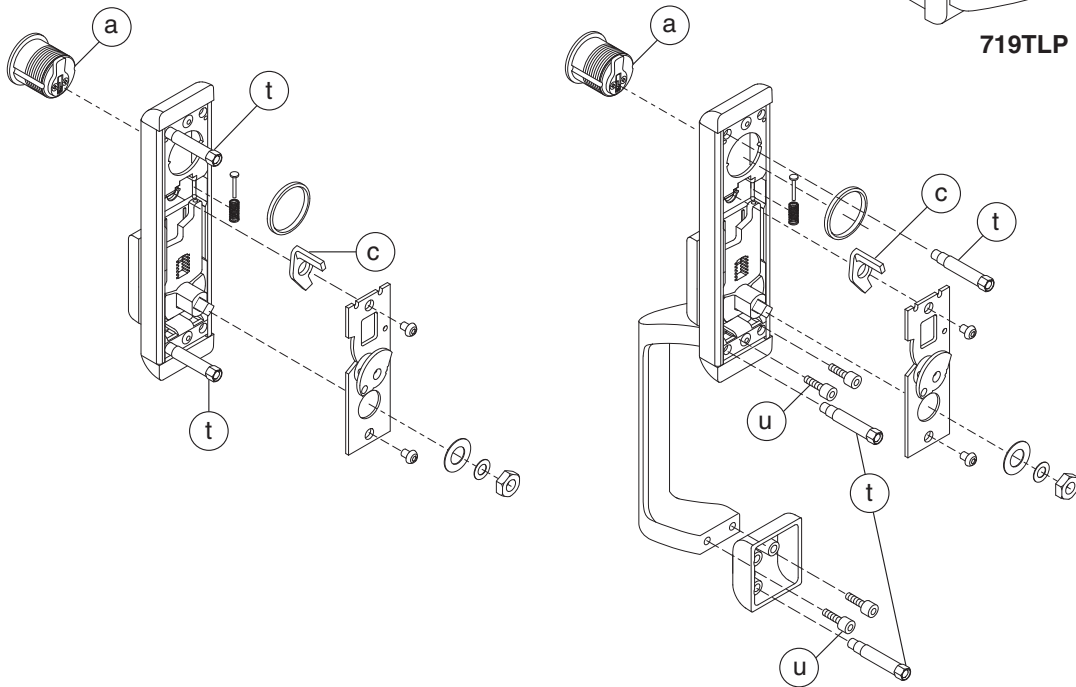
719TL



719TL-BE



719TLP



No.	Qty.	Part no.	Description	Notes
a	1	986	1¼" Mortise Cylinder (US3, US4, US10, US10B, US26D, US32, US32D)	B
c	1	661560	Locking Plate	
t	3	4349	Control Hex Stud	
u	1	600288	717/718/719 Pull Grip Screw package of 10 (¼ - 20 x ½" Hex Socket Head Cap Screw)	

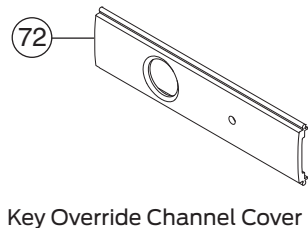
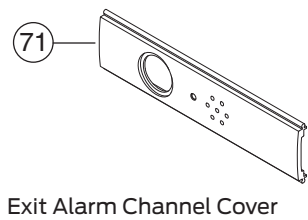
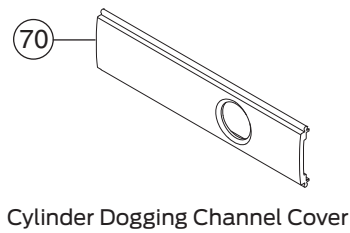
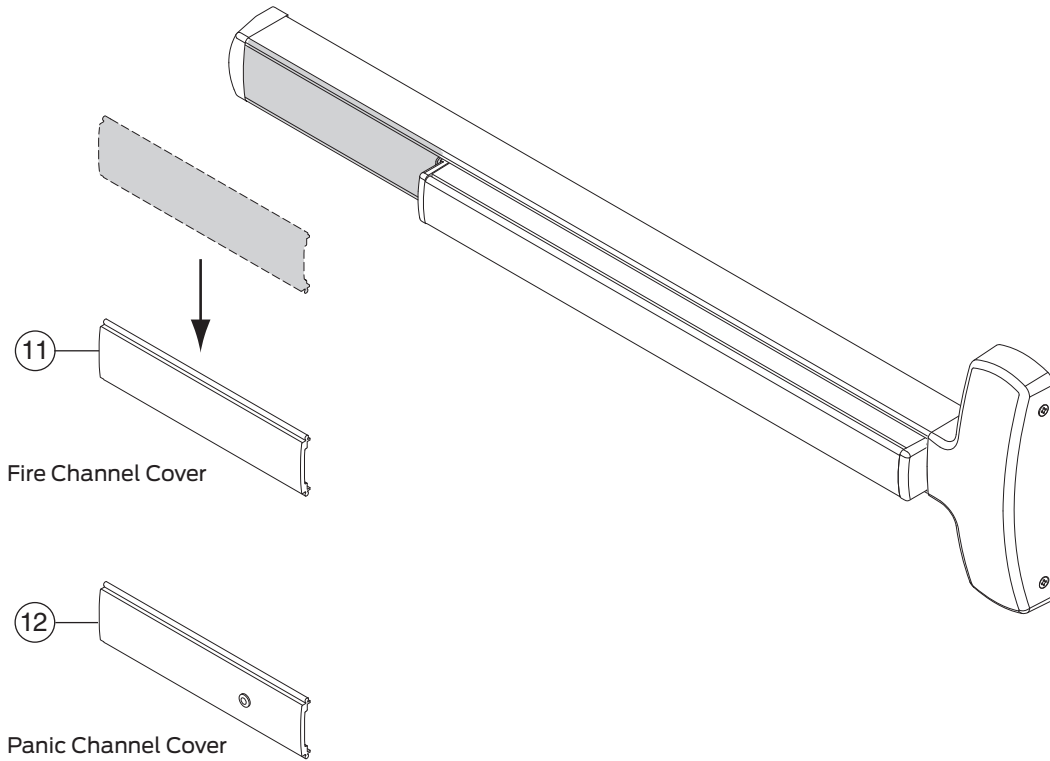
B Specify by finish shown.

Specifications:

Escutcheon: 1¾" x 7¼"
 Projection: 1¾"
 Overall Length: 13"

25 Series

24/25 Series channel cover plate options



No.	Qty.	Part no.	Description	Notes
11	1	650227	F-25 Channel Cover Plate 3'	A
	1	650228	F-25 Channel Cover Plate 4'	
	1	650121	F-24 Channel Cover Plate 3'	
	1	650122	F-24 Channel Cover Plate 4'	
12*	1	650191	25 Series Panic Channel Cover Plate 3'	
	1	650192	25 Series Panic Channel Cover Plate 4'	
	1	650187	24 Series Panic Channel Cover Plate 3'	
	1	650188	24 Series Panic Channel Cover Plate 4'	
70	1	650119	25 Series CD Channel Cover Plate 3'	
	1	650120	25 Series CD Channel Cover Plate 4'	
	1	650117	24 Series CD Channel Cover Plate 3'	
	1	650116	24 Series CD Channel Cover Plate 4'	
71	1	650135	25 Series EA Channel Cover Plate 3'	
	1	650136	25 Series EA Channel Cover Plate 4'	
	1	650131	24 Series EA Channel Cover Plate 3'	
	1	650132	24 Series EA Channel Cover Plate 4'	
72	1	650143	25 Series KOR Channel Cover Plate 3'	
	1	650144	25 Series KOR Channel Cover Plate 4'	
	1	650139	24 Series KOR Channel Cover Plate 3'	
	1	650140	24 Series KOR Channel Cover Plate 4'	

A Specify by finish: 313AN, US3, US4, US10, US26, US26D, US32, US32D, US28

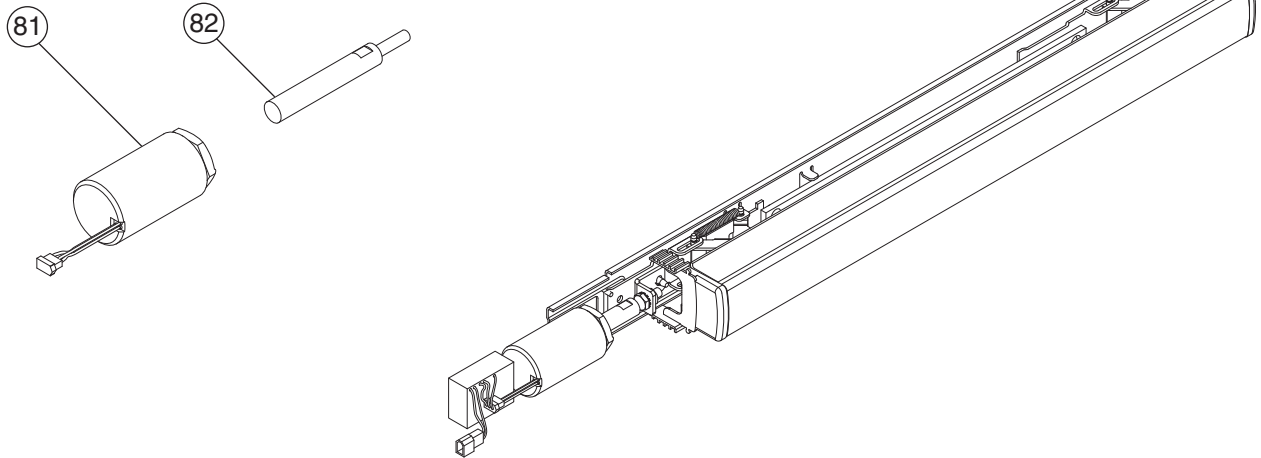
* 24 and 25 Panic Channel Cover Plates are included in the Hex Dogging Kit (part numbers shown above are Hex Dogging Kit part numbers).

24/25 Series electrical options

Electric latch retraction (EL), exit alarm (EA), hard wired exit alarm (HWEA)

80 Electric latch retraction

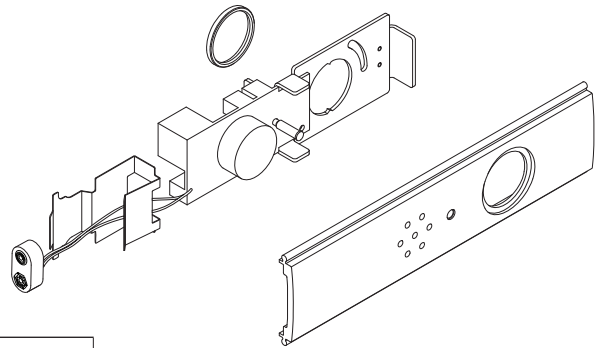
Available on all panic and fire devices. EL can be used with FSA/FSE, DM, LM, AE, and LK features. EL cannot be used with ED, EA, HWEA or KOR.



83 Exit alarm

Available on all panic and fire devices. EA can be used with FSA/FSE, DM, LM, and AE features.

Note: This kit is for new design Exit Alarm available as of June 2012. For Exit Alarm assemblies built prior to June 2012 a replacement Hard Wired Exit Alarm (HWEA) circuit board is available, part number 650335.



No.	Qty.	Part no.	Description	Notes
80	1	650147	24/25 Electric Latch Retraction (EL) Kit 3'	B
		650148	24/25 Electric Latch Retraction (EL) Kit 4'	
81	1	600320	EL Solenoid Body Pkg	
82	1	600321	EL Solenoid Plunger Pkg	
83	1	650167	25 Series Exit Alarm (EA) Kit 3'	A
		650168	25 Series Exit Alarm (EA) Kit 4'	
		650163	24 Series Exit Alarm (EA) Kit 3'	
		650164	24 Series Exit Alarm (EA) Kit 4'	

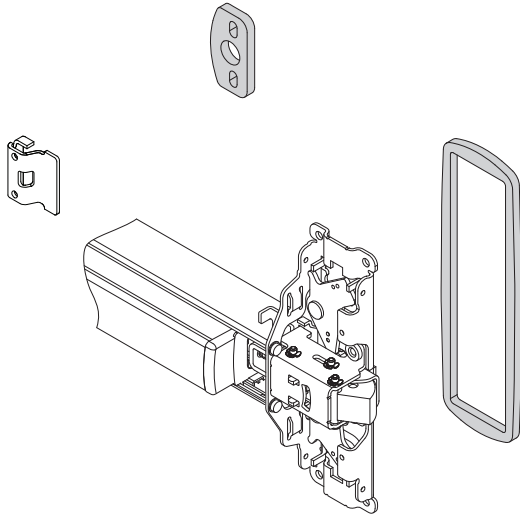
A Specify by finish: US3, US4, US10, 313AN, US26, US26D, US28, US32, US32D

B Specify by finish: SP28, US3, US4, US10, 313AN, US26, US26D, US32D

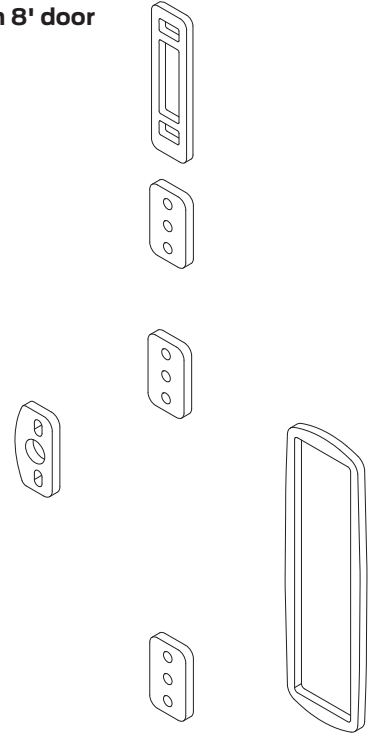
24/25 Series miscellaneous kits and parts

Glass bead kit (GBK), shim kits

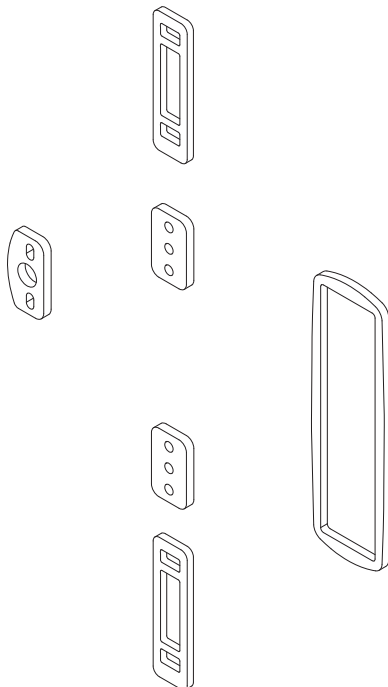
90 Rim/mortise shim kit



92 Vertical device shim kit, larger than 8' door



91 Vertical device shim kit, up to 8' door



No.	Qty.	Part no.	Description	Notes
90	1	650109	24 Rim Shim Kit 1/4"	
		650107	25 Rim or Mortise Shim Kit 1/4"	*
91	1	650110	24 Surface Vertical Device Shim Kit 1/4", > 7' up to 8' Door	
		650108	25 Surface Vertical Device Shim Kit 1/4", > 7' up to 8' Door	*
92	1	650208	24 Surface Vertical Device Shim Kit 1/4", > 8' up to 10' Door	
		650266	25 Surface Vertical Device Shim Kit 1/4", > 8' up to 10' Door	*
*	1	650106	Retrofit Shim Kit, HH-25-R, HH-F25-R (required)	*

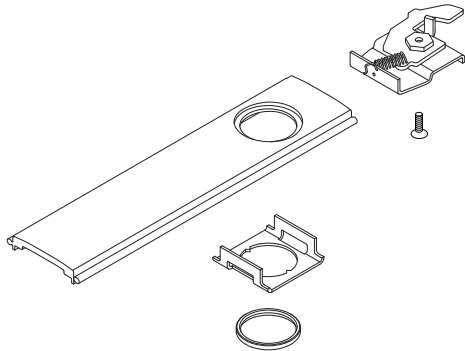
All Shim kits furnished in finish US19

* Item(s) not shown

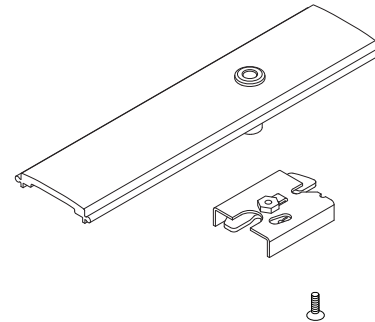
25 Series

Cylinder dogging (CD) kit, hex dogging (HD) kit and sexbolts

94 Cylinder dogging kit

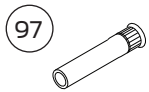
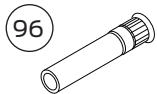


95 Hex dogging kit



Available on all panic devices. CD kit requires 1½" Mortise Cylinder (part number 985).

Sexbolts



No.	Qty.	Part no.	Description	Package contents	Notes
94	1	650159	25 Series Cylinder Dogging (CD) Kit 3'	1- CD Channel Cover	A
		650160	25 Series Cylinder Dogging (CD) Kit 4'	1- CD Dogging Subassembly	
		650155	24 Series Cylinder Dogging (CD) Kit 3'	1- #8-32 x 3/8" UFPHMS	
		650156	24 Series Cylinder Dogging (CD) Kit 4'	1- Cylinder Retaining Bracket 1- Cylinder Collar	
95	1	650191	25 Series Hex Dogging (HD) Kit 3'	1- Panic Channel Cover	A
		650192	25 Series Hex Dogging (HD) Kit 4'	1- Dogging Subassembly	
		650187	24 Series Hex Dogging (HD) Kit 3'	1- #8-32 x 3/8" UFPHMS	
		650188	24 Series Hex Dogging (HD) Kit 4'		
96	2	325	1/4-20 Sexbolt		* B
97	2	425	#10-24 Sexbolt		* B

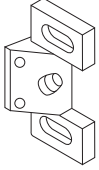
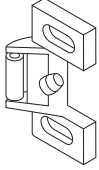
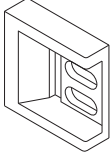
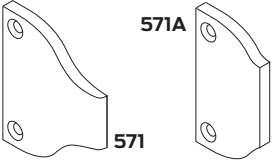

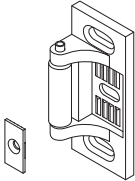
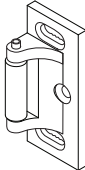
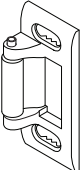
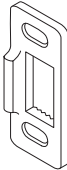
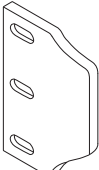
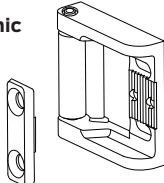
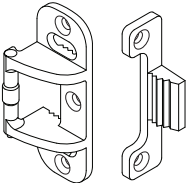

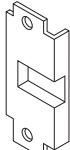
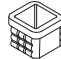
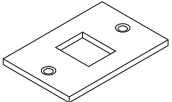
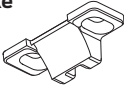

* Sold separately

A Specify by finish: US3, US4, US10, 313AN, US26, US32, US26D, US32D, US28

B Specify by finish: US3, US4, US10, SP313, US32, US32D

Strikes

19, 24, 25 and XX Series device, top and bottom strikes

<p>F570 Standard 19/XX Rim Panic and Fire Devices</p> 	<p>F490 Optional 19/XX Rim Panic and Fire Devices</p> 	<p>565 Optional 19/XX Rim Panic Devices</p> 	<p>571/571A Optional 19/XX Rim Inactive Leaf</p> 																		
<p>579 Optional XX Rim Panic Devices</p> 	<p>299 Standard 24/25 Rim Panic Devices Single or Double Door</p> 	<p>299F Standard 24/25 Rim Fire Devices Single or Double Door</p> 	<p>264 Optional 24/25 Rim Panic Devices Single or Double Door</p> 																		
<p>1606 Optional 24/25 Rim Panic Devices Single or Double Door</p> 	<p>1609 Optional 25 Rim Devices Single or Double Door</p> 	<p>1439 Optional 24/25 Rim Panic Devices Single or Double Door</p> 	<p>499F Optional 25 Rim Fire Devices with Mullion</p> 																		
<p>1279 Standard 25/XX Mortise Panic and Fire Devices</p> 	<p>F1280 Optional 25 Fire Devices</p> 	<p>2130 Standard Bottom Strike 19-V, 24/25/XX-V,C Panic and Fire Devices</p> 	<p>4155 Optional Bottom Strike 19-V, 24/25/ XX-V,C Panic or Fire Devices</p> 																		
<p>3788 Standard Top Strike 19/24/25/XX-V Panic or Fire Devices</p> 	<p>4188 Standard Top Strike 24/25/XX-C, CWDC Panic or Devices Optional 4188 NS (narrow stile) available for 24-C and 24-CWDC devices (not shown).</p> 	<p>Strike finishes</p> <table border="1"> <thead> <tr> <th>Strike(s)</th> <th>Available finish(es)</th> </tr> </thead> <tbody> <tr> <td>F490, 1606, 3788, 4188, 2130, 1279, F1280</td> <td>Unfinished</td> </tr> <tr> <td>264</td> <td>US19, US26D</td> </tr> <tr> <td>299</td> <td>US19, US26D, US4, US10, SP313, US3, US26</td> </tr> <tr> <td>299F</td> <td>US19, US32D, US4, US10, US10B, US3, US32</td> </tr> <tr> <td>499F, F570, 1439</td> <td>US19</td> </tr> <tr> <td>565, 579, 4155</td> <td>US26D, US4, US10, SP313, US10B, US3, US26</td> </tr> <tr> <td>571, 571A</td> <td>US32D, US10, SP313, US10B, US32</td> </tr> <tr> <td>1609</td> <td>US19, US26D, US4, US10, US10B, US3, US26</td> </tr> </tbody> </table>		Strike(s)	Available finish(es)	F490, 1606, 3788, 4188, 2130, 1279, F1280	Unfinished	264	US19, US26D	299	US19, US26D, US4, US10, SP313, US3, US26	299F	US19, US32D, US4, US10, US10B, US3, US32	499F, F570, 1439	US19	565, 579, 4155	US26D, US4, US10, SP313, US10B, US3, US26	571, 571A	US32D, US10, SP313, US10B, US32	1609	US19, US26D, US4, US10, US10B, US3, US26
Strike(s)	Available finish(es)																				
F490, 1606, 3788, 4188, 2130, 1279, F1280	Unfinished																				
264	US19, US26D																				
299	US19, US26D, US4, US10, SP313, US3, US26																				
299F	US19, US32D, US4, US10, US10B, US3, US32																				
499F, F570, 1439	US19																				
565, 579, 4155	US26D, US4, US10, SP313, US10B, US3, US26																				
571, 571A	US32D, US10, SP313, US10B, US32																				
1609	US19, US26D, US4, US10, US10B, US3, US26																				