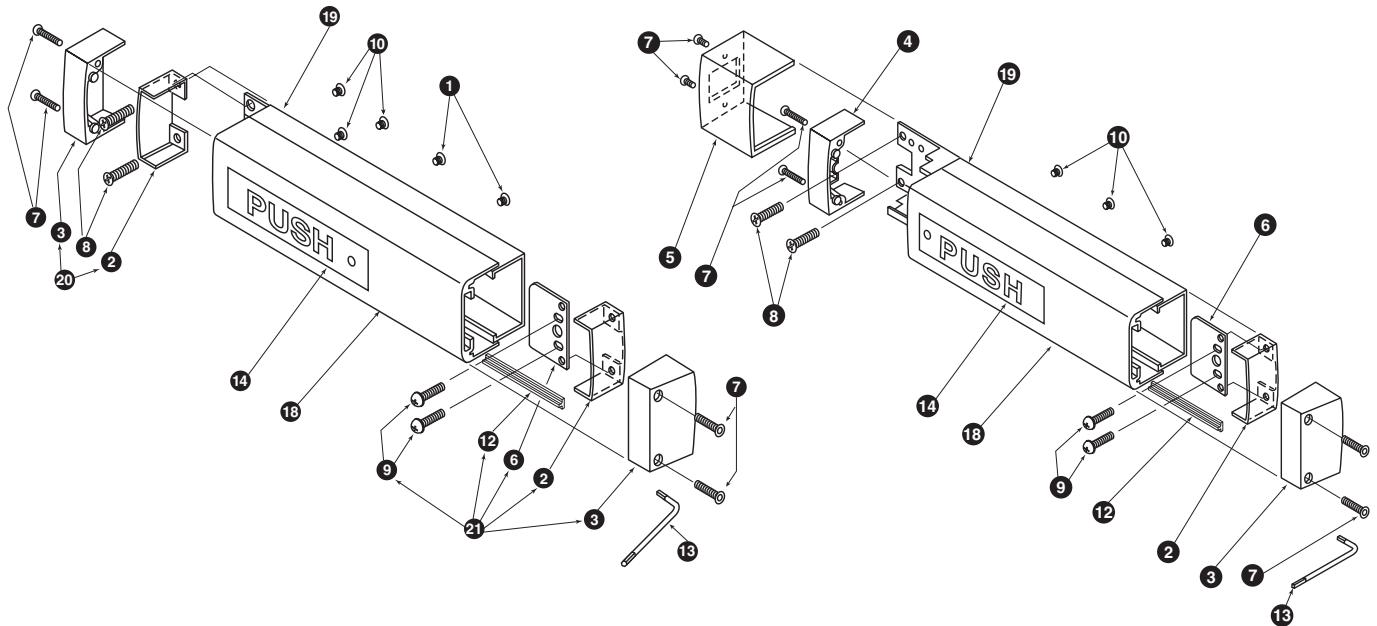


Pushbar

1490

1590



Part No.	Description	Finish	Pkg. Qty
1	SCREW.1028 10-32 1/4" UFPHMS Screw	-	10
2	4270106786 1490/1590 Pushbar Mounting Bracket	-	each
3	4270106787 1490/1590 Pushbar End Cap	P35	each
4	4270106875 1590 Pushbar End Cap	P35	each
5	4270106863 1590 Center Case Cover P35	P35	each
6	4270106770 1490/1590 P/Bar Hingeside Mounting Plate	-	each
7	SCREW.1050 8-32 1" FH Torx Screw (before September, 2004)	-	10
	SCREW.1143 8-18 1.1/4" FPH TF Typ 25	-	10
8	SCREW.1282 12-24 1 1/2" UFPHMS Screw (1490)	-	10
	SCREW.1066 12-24 1" UFPHMS Screw (1590)	-	10
9	SCREW.1053 12-24 1" PPH W/SEMS EXT TF Screw	-	10
10	SCREW.1012 8-32 1/4" UFPHMS Screw	US32D	10
	SCREW.1055 8-32 1/4" UFPHMS Screw	BLACK	10
12	BUMPER.103 Pushbar Bumper 4' (2 ea. Required)	-	each
13	KEY.102 Short Arm Key	-	10
14	4270107321 1490 RHR/1590 LHR Push Label	BLACK	each
	4270107323 1490 LHR/1590 RHR Push Label	BLACK	each
	4270107320 1490 RHR/1590 LHR Push Label	GOLD	each
	4270107322 1490 LHR/1590 RHR Push Label	GOLD	each

EXITS

Pushpads

Commercial /
Medium Duty

1490 / 1590
Series

Pushbar

	Part No.	Description	Finish	Pkg. Qty
18	4270107027	1490 Pushbar 36"	US28	each
	4270107028	1490 Pushbar 36"	DC13	each
	4270107029	1490 Pushbar 36"	DC35	each
	4270107685	1490 Pushbar 36"	US3	each
	4270107689	1490 Pushbar 36"	US4	each
	4270107686	1490 Pushbar 36"	US10	each
	4270107691	1490 Pushbar 36"	US10B	each
	4270107687	1490 Pushbar 36"	US14	each
	4270107688	1490 Pushbar 36"	US15	each
	4270107031	1490 Pushbar 48"	US28	each
	4270107032	1490 Pushbar 48"	DC13	each
	4270107033	1490 Pushbar 48"	DC35	each
	4270107703	1490 Pushbar 48"	US3	each
	4270107707	1490 Pushbar 48"	US4	each
	4270107704	1490 Pushbar 48"	US10	each
4270107709	1490 Pushbar 48"	US10B	each	
4270107705	1490 Pushbar 48"	US14	each	
4270107706	1490 Pushbar 48"	US15	each	
18	4270107091	1590 Pushbar 36"	US28	each
	4270107092	1590 Pushbar 36"	DC13	each
	4270107093	1590 Pushbar 36"	DC35	each
	4270107712	1590 Pushbar 36"	US3	each
	4270107716	1590 Pushbar 36"	US4	each
	4270107713	1590 Pushbar 36"	US10	each
	4270107718	1590 Pushbar 36"	US10B	each
	4270107714	1590 Pushbar 36"	US14	each
	4270107715	1590 Pushbar 36"	US15	each
	4270107095	1590 Pushbar 48"	US28	each
	4270107096	1590 Pushbar 48"	DC13	each
	4270107097	1590 Pushbar 48"	DC35	each
	EXT.255	1590 Pushbar 48"	US3	each
	EXT.259	1590 Pushbar 48"	US4	each
	EXT.256	1590 Pushbar 48"	US10	each
EXT.261	1590 Pushbar 48"	US10B	each	
EXT.257	1590 Pushbar 48"	US14	each	
EXT.258	1590 Pushbar 48"	US15	each	
19	4270107034	1490 Channel 36"	US28	each
	4270107035	1490 Channel 36"	DC13	each
	4270107036	1490 Channel 36"	DC35	each
19	4270107038	1490 Channel 48"	US28	each
	4270107039	1490 Channel 48"	DC13	each
	4270107040	1490 Channel 48"	DC35	each
19	4270107587	1590 Channel 36"	US28	each
	4270107588	1590 Channel 36"	DC13	each
	4270107589	1590 Channel 36"	DC35	each
19	4270107591	1590 Channel 48"	US28	each
	4270107592	1590 Channel 48"	DC13	each
	4270107593	1590 Channel 48"	DC35	each
20	ECAP.111	1490 Lockside End Cap Assembly	P35	each
21	ECAP.103	1490 Hingeside End Cap Assembly	P35	each
	PKG.102	1490 Mounting Package	US28	each
	PKG.104	1490 Mounting Package	DC35	each
	PKG.105	1590 Mounting Package	-	each

EXITS

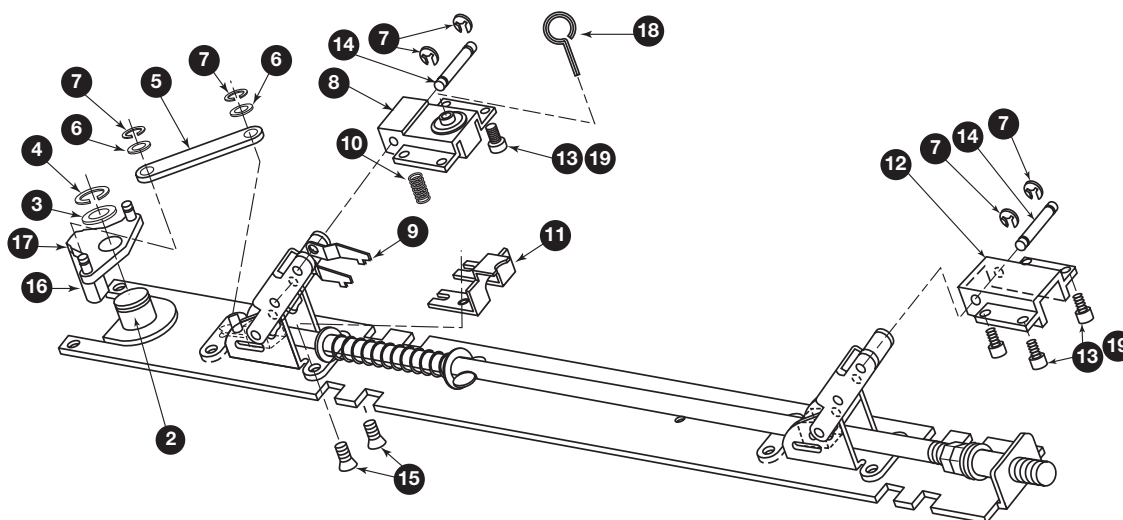
Pushpads

Commercial /
Medium Duty

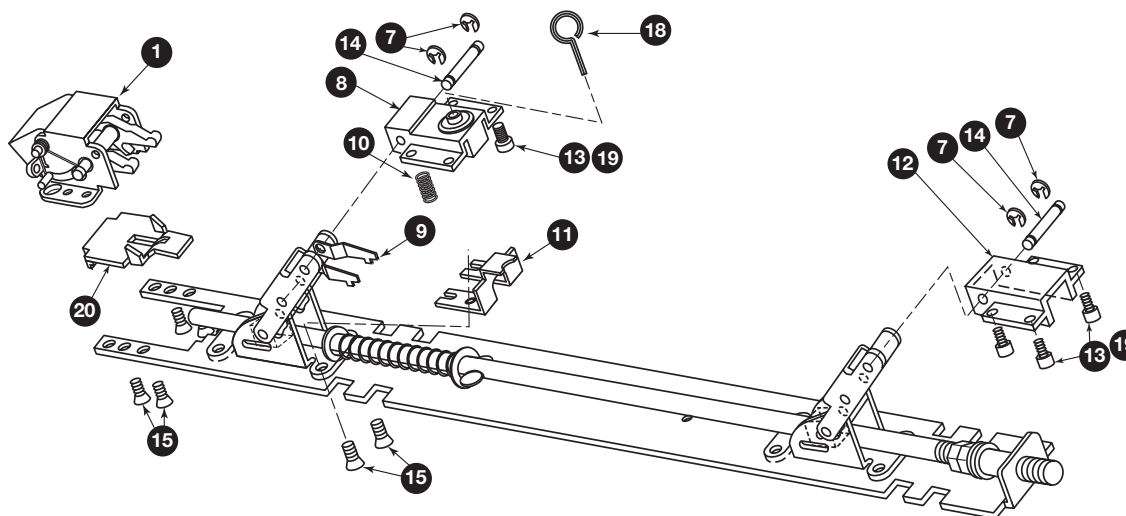
1490 / 1590
Series

Activating Baseplate Assembly

1490



1590



EXITS

Pushpads

Commercial /
Medium Duty

1490 / 1590
Series

Activating Baseplate Assembly

	Part No.	Description	Finish	Pkg. Qty
1	4270107603	1590 Latchbolt Assembly	-	each
2	4270106769	Lift Lever Axle	-	each
3	WASHER.102	Lift Lever Washer	-	10
4	RRING.104	Retaining Ring .500"	-	10
5	4270106773	Link	-	each
6	WASHER.103	Link Washer	-	10
7	RRING.105	Retaining Ring .188"	-	10
8	4270107046	Dogging Bracket Assembly	-	each
9	971659-79	Dogging Clip	-	each
10	4299101020	Compression Spring	-	each
11	971660-79	Act. Rod Spring Stop CZNC	-	each
12	4270106977	Clevis	-	each
13	SCREW.1136	8-32 3/8" PPHMS w/Sems	-	10
14	AXLE.1007	Clevis Assembly Axle	-	10
15	SCREW.1043	10-32 3/8" UFPHMS Screw	-	10
16	4270106745	Lift Lever	-	each
17	4270106772	Pivot Pin	-	each
18	KEY.10020	Hex Dogging Key 5/32"	-	10
19	WASHER.107	#8 Washer Hi-Collar	-	10
20	4270106888	1590 Retractor-Sgl Dr 1 3/4" (Only furnished with 1592/3/4/5)	-	each
	4270107422	1590 Retractor-Sgl Dr 2 1/4" (Only furnished with 1592/3/4/5)	-	each
	4270107520	1590 Retractor-Pair w/Mullion 1 3/4" Dr (Only furnished with 1592/3/4/5)	-	each
	4270107521	1590 Retractor-Pair w/Mullion 2 1/4" Dr (Only furnished with 1592/3/4/5)	-	each

1490 Base Plate Assemblies

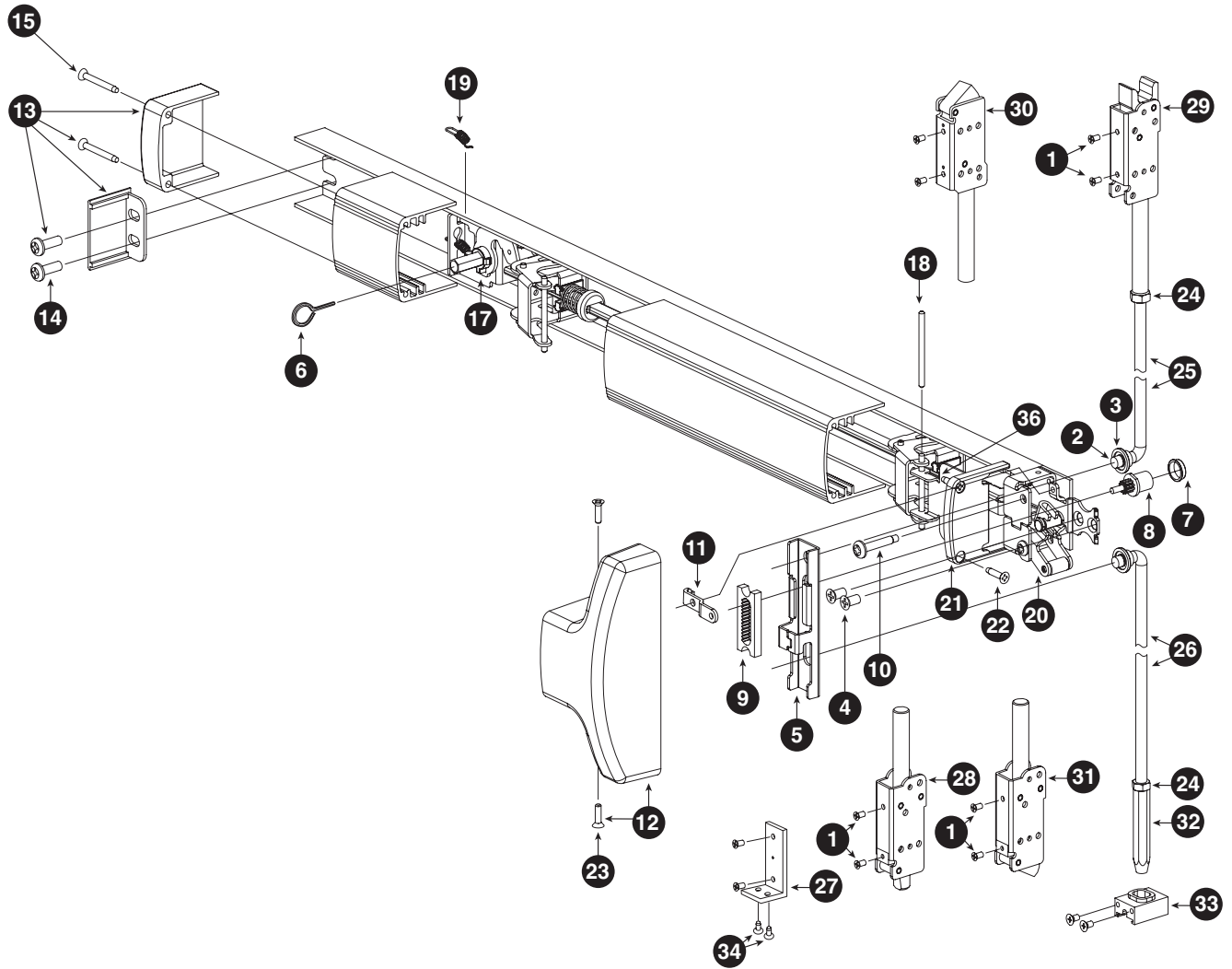
	4270107061	1490 Baseplate Assembly LHR 36"	-	each
	4270107048	1490 Baseplate Assembly LHR 48"	-	each
	4270107047	1490 Baseplate Assembly RHR 36"	-	each
	4270107060	1490 Baseplate Assembly RHR 48"	-	each
	4270107089	1590 Baseplate Assembly 36"	-	each
	4270107090	1590 Baseplate Assembly 48"	-	each

EXITS

Pushpads

Commercial /
Medium Duty

1490 / 1590
Series



Part No.	Description	Finish	Pkg. Qty	
1	SCREW.1028	10-32 1/4" UFPHMS	US32D	10
	SCREW.1029	10-32 1/4" UFPHMS	BLACK	10
2	BUSH.109	Bearing Bushing	-	10
3	RRING.109	Retaining Ring .250"	-	25
4	SCREW.1069	Lock Stile Mounting Screw	-	10
5	BRKT.138	Lift Bracket	-	each
6	KEY.10020	Hex Dogging Key 5/32"	-	10
	PKG.150	Auxiliary Package (part 1-6)	US28	each
	PKG.151	Auxiliary Package (part 1-6)	DC13/DC35	each
7	BUSH.102	Cylinder Bushing	-	10
8	CAM.102	Pinion Cam	-	10
	4270903177	Pinion Cam	-	each
9	RETRACT.101	Rod Retractor	-	10
10	SCREW.1074	Retainer Screw	-	10
11	BRKT.478	Pinion Support Bracket	-	each
12	COVER.113	Center Case Cover Kit	-	each
13	ECAP.130	Channel/Hinge End Cap Kit	-	each

1690 Series Exploded View And Parts List

	Part No.	Description	Finish	Pkg. Qty	
	14	SCREW.1070	1/4-20 1/2" PPHMS Screw	-	10
	15	SCREW.1072	#8 1.1/2" FPH TC Typ AB Screw (before September, 2004)	-	10
		SCREW.1143	8-18 1.1/4" FPH TF Typ 25	-	10
	16	SCREW.1067	1/4-20 3/8" Hex Soc Set Screw	BLACK	3
		SCREW.1068	1/4-20 3/8" Hex Soc Set Screw	US28	3
	17	KIT.1197	Dogging Kit		each
	18	PIN.128	Push Bar Pin	-	10
	19	971493-76	Dogging Spring	-	each
	20	BRKTASY.107	Actuator Arm Bracket Assy	-	each
	21	ECAP.129	Lock Stile Push Bar End Cap	P35	each
	22	SCREW.1077	8-3/4" FPHSMS (before September, 2004)	BLACK	10
		SCREW.1141	8-18 .3/4" FPH TF Typ 25	-	10
	23	SCREW.1025	8-5/8" FPHSMS (before September, 2004)	BLACK	10
	24	NUT.101	Rod Jam Nut	-	10
	25	4270100017	SU/PL/ES/RL Rod (Standard)	-	each
		4270102427	SU/PL/ES/RL Rod-1/4" Insulclad 7'	-	each
		4270102426	SU/PL/ES/RL Rod-1/4" Insulclad 8'	-	each
		4270100018	SU Rod 8' Door	-	each
		4270100172	SU Ext Rod Kit Up to 9' Dr (not shown)	-	each
		4270100197	SU Ext Rod Kit Up to 10' Dr (not shown)	-	each
	26	4270101825	Hex Bottom Rod	-	each
	27	BRKTASY.101	Latch Mtg Bracket Kit-HMD	-	each
	28	● 4270100521	RL Bottom Latch	-	each
	29	● 4270101806	SU Top Latch	-	each
	30	● 4270100346	ES Top Latch	-	each
	31	● 4270101482	PL Bottom Latch	-	each
	32	BOLT.1004	Hex Bottom Bolt Beveled	-	each
	33	4270107176	Hex Rod Guide Assembly	US32D	each
		4270107178	Hex Rod Guide Assembly	P35	each
		SCREW.1076	Hex Rod Guide Screws	US28	10
		SCREW.1081	Hex Rod Guide Screws	DC13/DC35	10
		PIN.110	ES Latch Pin	-	10
		PIN.109	SU/ES/PL/HH Latch Spirol Pin	-	10
	34	SCREW.1037	10-32 3/8" FPHMS	-	25
		● 4270106632	SU Top Rod Assembly 7' Dr	-	each
		● 4270106633	SU Top Rod Assembly 8' Dr	-	each
		● 4270101818	SU Top Rod Assembly 9' Dr	-	each
		● 4270101819	SU Top Rod Assembly 10' Dr	-	each
		● 4270101873	ES Top Rod Assembly 7' Dr	-	each
		4270101874	ES Top Rod Assembly 8' Dr	-	each
		● 4270100522	RL Bottom Rod Assembly	-	each
		RODASY.1075	Hex Bottom Rod Assembly	-	each
		● 4270100266	PL Bottom Rod Assembly	-	each
	36	BRKT.128	Pushbar Anchor Bracket	-	each

REFERENCE NOTES:

- Specify if door material other than aluminum. Complete rod and latch assembly includes (4270100017) standard rod and (Nut.101). Part numbers shown are for standard centerlines and assembled lengths.

Part No.	Description	Finish	Pkg. Qty
KIT.1156	NL Cylinder Assy & Auxiliary Parts (parts 1-10)	US28	each
KIT.1157	NL Cylinder Assy & Auxiliary Parts (parts 1-10)	DC13/DC35	each
169CA	1690NL Cylinder Assembly (parts 7-11)	-	each
SCREW.1121	10-32 3/8" UFPH TF	US28	8
SCREW.1114	10-32 3/8" UFPH TF	DC13/DC35	8
BRKT.156	Center Case Bracket	-	each
SWITCH.1006	RX Switch Wire Assembly (not shown) Valid for Field Install RX Option on Devices shipped after June, 2002	-	each
050534-00	EL Potted Circuit Breaker (not shown)	-	each
971687-00	EL Solenoid 24 VDC (not shown)	-	each
PLUNGER.101	EL Plunger (not shown)	-	each
110388-00	EL Cable Assembly (not shown)	-	each

1690/1790 Pushbars and Channels Standard EL

EXT.827	EXT.830	1690/1790 Pushbar 30"	US28	each
EXT.828	EXT.825	1690/1790 Pushbar 30"	DC13	each
EXT.829	EXT.826	1690/1790 Pushbar 30"	DC35	each
EXT.2351	EXT.2323	1690/1790 Pushbar 30"	US3	each
EXT.2352	EXT.2333	1690/1790 Pushbar 30"	US10	each
EXT.2353	EXT.2338	1690/1790 Pushbar 30"	US26	each
EXT.2354	EXT.2340	1690/1790 Pushbar 30"	US26D	each
EXT.608	EXT.398	1690/1790 Pushbar 36"	US28	each
EXT.609	EXT.399	1690/1790 Pushbar 36"	DC13	each
EXT.631	EXT.400	1690/1790 Pushbar 36"	DC35	each
EXT.2355	EXT.2324	1690/1790 Pushbar 36"	US3	each
EXT.2356	EXT.2334	1690/1790 Pushbar 36"	US10	each
EXT.2357	EXT.2339	1690/1790 Pushbar 36"	US26	each
EXT.2358	EXT.2289	1690/1790 Pushbar 36"	US26D	each
EXT.646	EXT.438	1690/1790 Pushbar 42"	US28	each
EXT.736	EXT.439	1690/1790 Pushbar 42"	DC13	each
EXT.737	EXT.441	1690/1790 Pushbar 42"	DC35	each
EXT.2359	EXT.2341	1690/1790 Pushbar 42"	US3	each
EXT.2360	EXT.2345	1690/1790 Pushbar 42"	US10	each
EXT.2361	EXT.2349	1690/1790 Pushbar 42"	US26	each
EXT.2362	EXT.2350	1690/1790 Pushbar 42"	US26D	each
EXT.738	EXT.442	1690/1790 Pushbar 48"	US28	each
EXT.739	EXT.443	1690/1790 Pushbar 48"	DC13	each
EXT.740	EXT.444	1690/1790 Pushbar 48"	DC35	each
EXT.2363	EXT.2298	1690/1790 Pushbar 48"	US3	each
EXT.2364	EXT.2303	1690/1790 Pushbar 48"	US10	each
EXT.2365	EXT.2304	1690/1790 Pushbar 48"	US26	each
EXT.2366	EXT.2294	1690/1790 Pushbar 48"	US26D	each
EXT.175		1690 Channel 27.138	US28	each
EXT.177		1690 Channel 27.138	DC13	each
EXT.741		1690 Channel 33.138	US28	each
EXT.742		1690 Channel 33.138	DC13	each
EXT.743		1690 Channel 33.138	DC35	each
EXT.744		1690 Channel 39.138	US28	each
EXT.745		1690 Channel 39.138	DC13	each
EXT.746		1690 Channel 39.138	DC35	each
EXT.747		1690 Channel 45.138	US28	each
EXT.748		1690 Channel 45.138	DC13	each
EXT.749		1690 Channel 45.138	DC35	each
4270109291		1690 Channel 32.250	US28	each
4270109295		1690 Channel 44.250	US28	each
4270109293		1690 Channel 44.250	DC35	each
EXT.178		1690 Channel 27.138	DC35	each
4270109297		1690 Channel 44.250	DC35	each
4270109423		1690 Channel 38.250	US28	each
4270109424		1690 Channel 38.250	DC13	each
4270109425		1690 Channel 38.250	DC35	each
EXT.101		1790 Channel 33.580	US28	each
EXT.102		1790 Channel 39.580	US28	each
EXT.103		1790 Channel 45.580	US28	each
4270109571		1790 Channel 33.580	DC13	each
4270109572		1790 Channel 39.580	DC13	each
4270109574		1790 Channel 33.580	DC35	each
4270109575		1790 Channel 39.580	DC35	each
4270109576		1790 Channel 45.580	DC35	each

EXITS

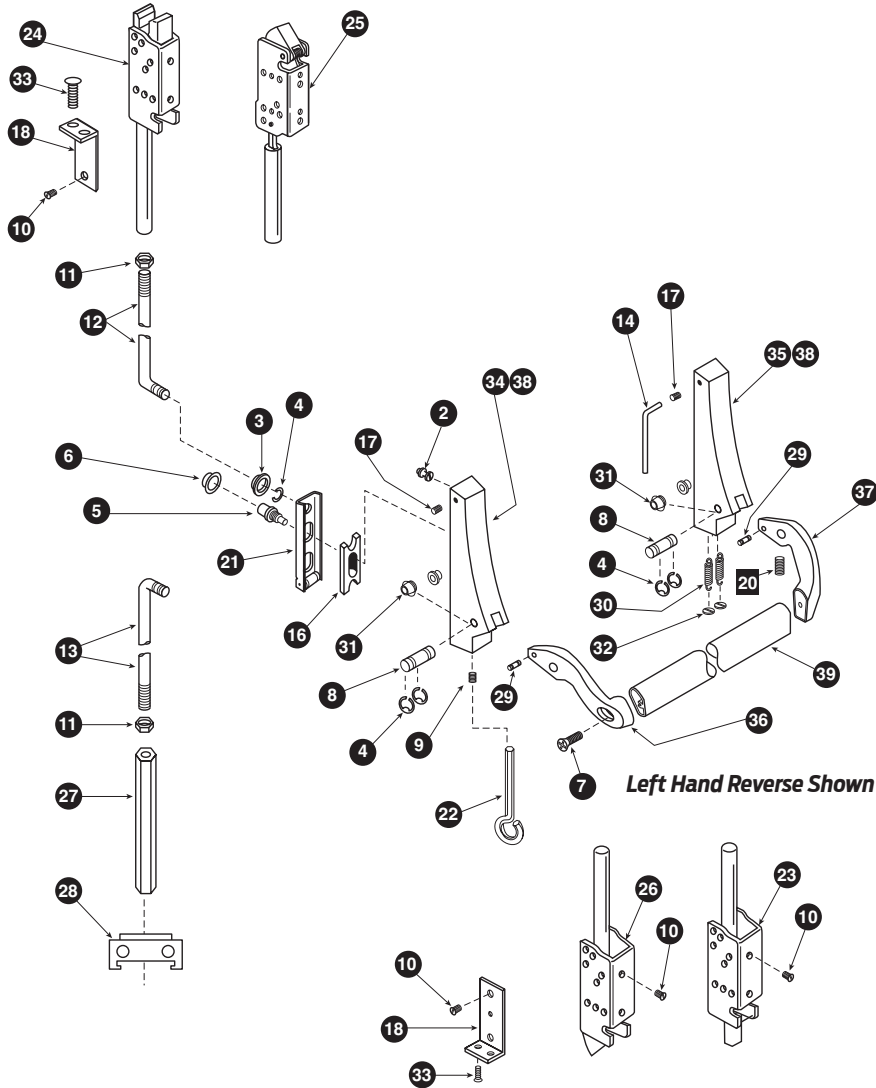
Pushpads

Commercial /
Medium Duty

1690 Series

1990 Exploded View And Parts List

(For Devices Furnished After 5/1/77)



EXITS

Crossbars

Narrow Stile

1990 Series

Part No.	Description	Finish	Pkg. Qty
2	STUD.101 Case Mounting Stud	-	10
3	BUSH.109 Bearing Bushing	-	10
4	RRING.109 Retaining Ring .250	-	25
5	CAM.102 Pinion Cam	-	10
	4270903177 Pinion Cam	-	each
6	BUSH.102 Cylinder Bushing	-	10
7	SCREW.1027 1/4-20 1" FPHTC Typ 23	US32D	10
	SCREW.1015 1/4-20 1" FPHTC Typ 23	BLACK	10
	PIN.115 1990 Axle Pin	-	10
9	SCREW.1022 Dog Screw	-	25
10	SCREW.1028 10-32 1/4" UFPHMS	US32D	10
	SCREW.1029 10-32 1/4" UFPHMS	BLACK	10
	4270107322 1490 LHR/1590 RHR Push Label	GOLD	each

1990 Series

(For Devices Furnished After 5/1/77)

	Part No.	Description	Finish	Pkg. Qty
11	NUT.101	Rod Jam Nut	-	10
12	4270100017	SU/PL/ES/RL Rod	-	each
	4270102427	SU/PL/ES/RL Rod-1/4" Insulclad 7'	-	each
	4270102426	SU/PL/ES/RL Rod-1/4" Insulclad 8'	-	each
13	4270101825	Hex Bottom Rod	-	each
14	WRENCH.101	Allen Wrench	-	10
16	RETRACT.101	Rod Retractor	-	10
17	SCREW.1030	1/4-20 3/8" Hex Soc Set	US32D	25
	SCREW.1039	1/4-20 3/8" Hex Soc Set	BLACK	25
18	BRKTASY.101	Latch Mtg Bracket Kit-HMD	-	each
21	4270100013	Lift Bracket Assembly	-	each
22	KEY.101	Hex Dogging Key	-	10
23	● 4270100521	RL Bottom Latch	-	each
24	● 4270101806	SU Top Latch	-	each
25	● 4270100346	ES Top Latch	-	each
26	● 4270101482	PL Bottom Latch	-	each
27	4270101830	Hex Bottom Bolt	-	each
28	4270107176	Hex Rod Guide Assembly	US32D	each
	4270107178	Hex Rod Guide Assembly	P35	each
	SCREW.1076	Hex Rod Guide Screws	US28	10
	SCREW.1081	Hex Rod Guide Screws	DC13/DC35	10
	PIN.110	ES Latch Pin	-	10
	RETAIN.101	Case Retainer	-	10
	PIN.109	SU/ES/PL/HH Latch Spirol Pin	-	10
	4270100312	Crossbar Tie Rod	-	each
	RRING.103	End Case Retaining Ring	-	25
29	PIN.104	Spring Pin	-	10
30	SPRING.103	Tension Spring	-	10
31	BUSH.103	Axle Bushing	-	25
32	RETAIN.102	Spring Retainer	-	25
33	SCREW.1037	10-32 3/8" FPHMS	-	25
	● 4270106632	SU Top Rod Assembly 7' Dr	-	each
	● 4270106633	SU Top Rod Assembly 8' Dr	-	each
	● 4270101818	SU Top Rod Assembly 9' Dr	-	each
	● 4270101819	SU Top Rod Assembly 10' Dr	-	each
	● 4270101873	ES Top Rod Assembly 7' Dr	-	each
	4270101874	ES Top Rod Assembly 8' Dr	-	each
	● 4270100522	RL Bottom Rod Assembly	-	each
	4270101831	Hex Bottom Rod Assembly	-	each
	● 4270100266	PL Bottom Rod Assembly	-	each
	4270100018	SU Rod 8' Door	-	each
	4270100172	SU Ext Rod Kit Up to 9' Dr	-	each
	4270100197	SU Ext Rod Kit Up to 10' Dr	-	each

EXITS

Crossbars

Narrow Stile

1990 Series

1990 Series

(For Devices Furnished After 5/1/77)

34 End Case Assy LH

Part No.	Finish
LH = Lock Stile assembly for LHR Device or Hinge Stile assembly for RHR Device	
4270902776	P28
4270902778	P13
4270902779	P35
CASE.223	US26D

36 Lever Arm LH

Part No.	Finish	List Price
LH = Lock Stile Lever Arm for LHR Device or Hinge Stile Lever Arm for RHR Device		
4270902799	P28	
4270902802	P13	
4270902803	P35	
LARM.180	US26D	

38 Housing Assembly

Part No.	Finish
(Includes housing, retainer spring, retainer, dog screw and mounting screws)	
4270902787	P28
4270902789	P13
4270902790	P35
HOUSING.231	US26D

35 End Case Assy RH

Part No.	Finish
RH = Lock Stile assembly for RHR Device or Hinge Stile assembly for LHR Device	
4270902782	P28
4270902784	P13
4270902785	P35
CASE.222	US26D

37 Lever Arm RH

Part No.	Finish
RH = Lock Stile Lever Arm for RHR Device or Hinge Stile Lever Arm for LHR Device	
4270902805	P28
4270902808	P13
4270902809	P35
LARM.188	US26D

39 Crossbar 41"

Part No.	Finish
4270900091	US28
4270900094	DC13
4270900095	DC35

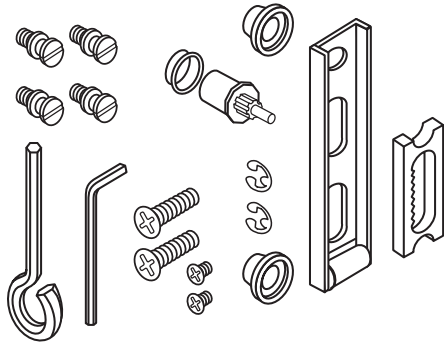
Crossbar 48"

Part No.	Finish
CBAR.101	US28
CBAR.116	DC13
CBAR.135	DC35

REFERENCE NOTE:

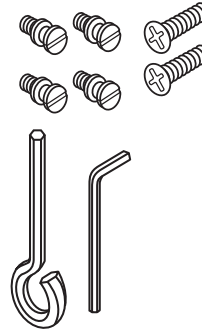
1990/2090 Lever Arms & Housing Assemblies in US finishes are not compatible with 990/1090 components. Replace with appropriate end case assembly or active housing assembly.

990 and 1990 Auxiliary Pkg.



Part Number	Finish
4270902091	US32D
4270902095	DC35

1090 and 2090 Auxiliary Pkg.



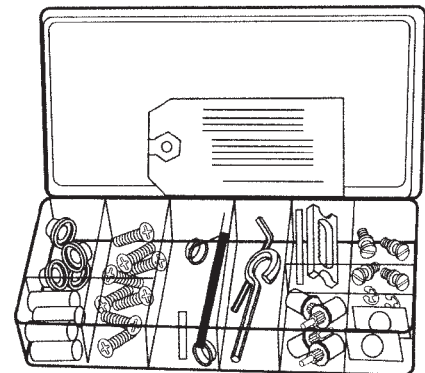
Part Number	Finish
4270902121	US32D
4270902125	DC35

Panic Device Repair Kit

Part Number	Description
4270100583	Complete Repair Kit
4270100582	Maintenance Kit Box only

Kit Includes:

	Part Number	Description	Replacement Pkg.	
12	RING.108	Retaining Rings	RRING.109	(pkg/25)
6	4270100130	1/4-20 x 3/8 Set Screws	SCREW.1030	(pkg/25)
6	BUSH.108	Bearing Bushing	BUSH.109	(pkg/10)
8	4270101753	Tension Springs	SPRING.103	(pkg/10)
2	4270100153	Dogging Screws	SCREW.1022	(pkg/25)
10	963128-00	10-32 x 1/4 UFPH MS	SCREW.1028	(pkg/10)
6	4299100213	1/4-20 x 1" FPH MS	SCREW.1027	(pkg/10)
3	4270100152	Spring Pins	PIN.104	(pkg/10)
1	4270100116	Dogging Key	KEY.101	(pkg/10)
1	963100-00	1/8" Allen Wrench	WRENCH.101	(pkg/10)
3	4270100110	Retractor	RETRACT.101	(pkg/10)
4	4270903177	Pinion Cams	CAM.102	(pkg/10)
8	4230100017	Center Case Mounting Studs	STUD.101	(pkg/10)
6	4270101778	Axle Bushings	BUSH.103	(pkg/25)
3	4270108353	PB48 Strike US32D		each
4	4270100663	Cylinder Bushings	BUSH.102	(pkg/10)
1	4270100013	Lift Bracket Assy		each
4	4270106997	Axle Pins	PIN.115	(pkg/10)
2	4270100026	3/16 x 13/16 Roll Pins	PIN.109	(pkg/10)
2	4270100075	3/16 x 9/16 Roll Pins	PIN.110	(pkg/10)
1	4270100299	Dogging Key Tag		each
12	4299100997	Retaining Rings	RRING.103	(pkg/25)
1	4270100582	Maintenance Kit Box		each
8	4270101782	1990 Spring Retainer	RETAIN.102	(pkg/25)
3	4270106349	SU Latchbolt		each



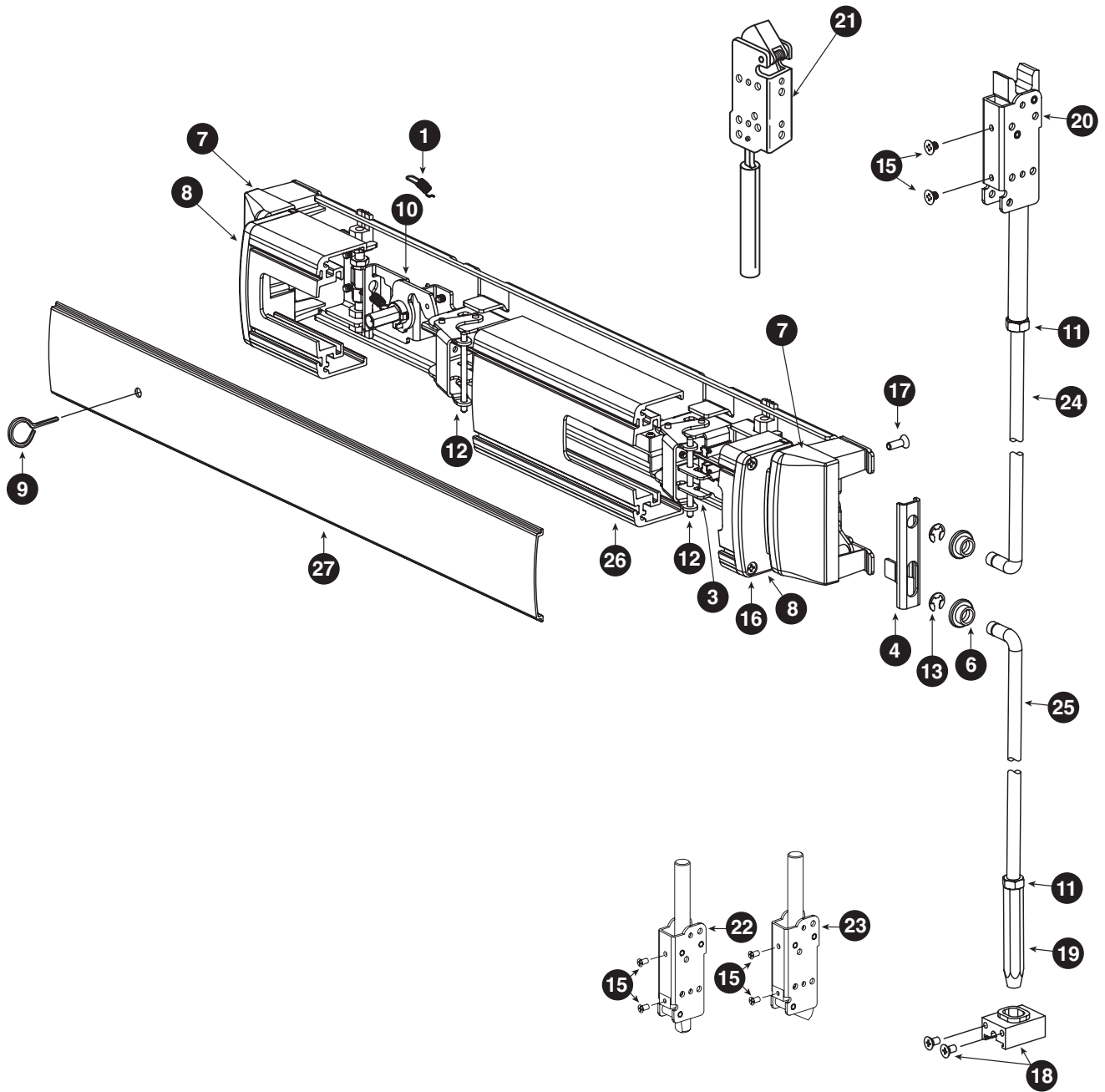
**Parts Kit For Easy Servicing
of 1990 Devices**

EXITS

Recessed

Concealed Vertical
Mid-Panel

2390 Series



	Part No.	Description	Finish	Pkg Qty
1	971493-76	Dogging Spring	-	each
2	AXLE.1006	Lift Lever Axle	-	each
3	BRKT.137	Pushbar Anchor Bracket	-	each
4	BRKT.143	Lift Bracket	-	each
5	BRKTASY.107	Actuator Arm Bracket Assembly	-	each
6	BUSH.109	Bearing Bushing	-	10
7	COVER.127	Fixed Cover	-	each
8	ECAP.143	Moving Pushbar End Cap	-	each
9	KEY.10020	Hex Dogging Key 5/32"	-	10
10	KIT.1197	Dogging Kit	-	each
11	NUT.101	Rod Jam Nut	-	10
12	PIN.128	Pushbar Pin	-	10
	PKG.134	Mounting Package (parts 4,6,9,13,15 on page 294)	US32D	each
	PKG.135	Mounting Package (parts 4,6,9,13,15 on page 294)	DC35	each
13	RRING.109	Retaining Ring .250	-	25
15	SCREW.1028	10-32 1/4" UFPHMS	US32D	10
	SCREW.1029	10-32 1/4" UFPHMS	BLACK	10
16	★ SCREW.1077	#8 3/4" FPH TF AB Screw (before September, 2004)	-	10
	SCREW.1141	8-18 .3/4" FPH TF Typ 25	-	10
17	SCREW.1088	12-14 1/2" UFPH MS Typ 25 Screw	-	10
	SCREW.1121	10-32 3/8" UFPH TF	US28	8
	SCREW.1114	10-32 3/8" UFPH TF	DC13/DC35	8
	SCREW.1076	Hex Rod Guide Screws	US28	10
	SCREW.1081	Hex Rod Guide Screws	DC13/DC35	10
	EXTROD.1001	Extension Rod Kit (not shown)	-	each
18	4270107176	Hex Rod Guide Assembly	US32D	each
	4270107178	Hex Rod Guide Assembly	P35	each
19	BOLT.1004	Hex Bottom Bolt-Beveled	-	each
20	4270101806	SU Top Latch	-	each
21	4270100346	ES Top Latch	-	each
22	4270100521	RL Bottom Latch	-	each
23	4270101482	PL Bottom Latch	-	each
	PIN.110	ES Latch Pin	-	10
	PIN.109	SU/ES/PL/HH Latch Spirol Pin	-	10
	● SWITCH.1006	RX Switch Wire Assembly (not shown) Valid for Field Install RX Option on Devices shipped after June, 2002	-	each
	110388-00	EL Cable Assembly (not shown)	-	each
	050534-00	EL Potted Circuit Breaker (not shown)	-	each
	971687-00	EL Solenoid 24VDC (not shown)	-	each
	PLUNGER.101	EL Plunger (not shown)	-	each
24	ROD.1043	Top Rod 34.000", CL=42.5, DH=83.1875"	-	each
	4270103324	Top Rod 35.500", CL=41.25, DH=83.1875"	-	each
	ROD.1082	Top Rod 39.000", CL=37.875, DH=83.1875"	-	each
	ROD.1036	Top Rod 36.500", CL=40, DH=83.1875"	-	each
25	ROD.1080	Bottom Rod 40.000", CL=42.500"	-	each
	ROD.1044	Bottom Rod 38.500", CL=41.250"	-	each
	4270100017	Bottom Rod 35.125", CL=37.875"	-	each
	ROD.1011	Bottom Rod 37.500", CL=40"	-	each
	KIT.1128	2390 LBR KIT	-	each

REFERENCE NOTES:

- RX Switch Kit valid for Field Install RX option on devices shipped after June, 2002
- ★ For Devices shipped before September, 2004.

EXITS

Recessed

Concealed Vertical
Mid-Panel

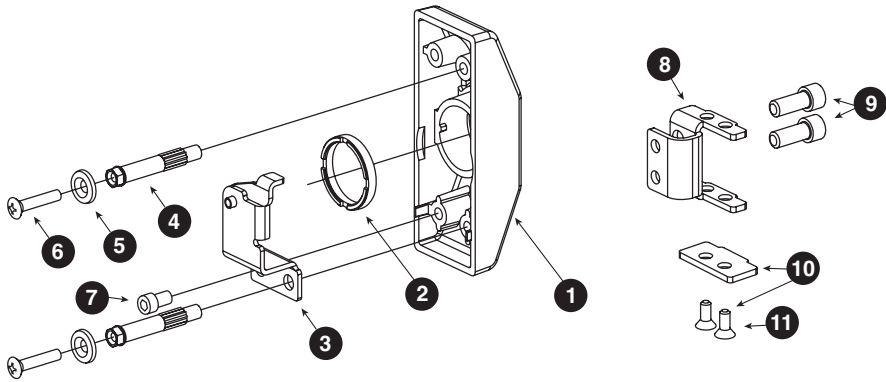
2390 Series

2390 Series (continued)

	Part No.	Description	Finish	
26	EXT.3000	Pushbar 21"	US28	
	EXT.3001	Pushbar 21"	DC13	
	EXT.3002	Pushbar 21"	DC35	
	EXT.3003	Pushbar 21"	Champagne	
	EXT.3004	Pushbar 24"	US28	
	EXT.3005	Pushbar 24"	DC13	
	EXT.3006	Pushbar 24"	DC35	
	EXT.3007	Pushbar 24"	Champagne	
	27	EXT.3008	Coverplate 21"	US28
		EXT.3009	Coverplate 21"	DC13
		EXT.3010	Coverplate 21"	DC35
		EXT.3011	Coverplate 21"	Champagne
		EXT.3012	Coverplate 24"	US28
		EXT.3013	Coverplate 24"	DC13
		EXT.3014	Coverplate 24"	DC35
		EXT.3015	Coverplate 24"	Champagne
		EXT.3050	EL Coverplate 21"	US28
		EXT.3051	EL Coverplate 21"	DC13
		EXT.3052	EL Coverplate 21"	DC35
		EXT.3053	EL Coverplate 21"	Champagne
		EXT.3054	EL Coverplate 24"	US28
		EXT.3055	EL Coverplate 24"	DC13
		EXT.3056	EL Coverplate 24"	DC35
		EXT.3057	EL Coverplate 24"	Champagne
		CHASY.147	Channel Assembly 36" Door (supplied for field sizing)	US28
		CHASY.160	Channel Assembly 36" Door (supplied for field sizing)	DC13
CHASY.107		Channel Assembly 36" Door (supplied for field sizing)	DC35	
CHASY.158		Channel Assembly 36" Door (supplied for field sizing)	Champagne	
CHASY.108	Channel Assembly 48" Door (supplied for field sizing)	US28		
CHASY.109	Channel Assembly 48" Door (supplied for field sizing)	DC13		
CHASY.125	Channel Assembly 48" Door (supplied for field sizing)	DC35		
CHASY.207	Channel Assembly 48" Door (supplied for field sizing)	Champagne		
EXT.2927	Filler Plate 16.50", 42" Door (supplied for field sizing)	US28		
EXT.2949	Filler Plate 16.50", 42" Door (supplied for field sizing)	DC13		
EXT.2950	Filler Plate 16.50", 42" Door (supplied for field sizing)	DC35		
EXT.2951	Filler Plate 16.50", 42" Door (supplied for field sizing)	Champagne		
EXT.440	Filler Plate 19.50", 48" Door (supplied for field sizing)	US28		
EXT.445	Filler Plate 19.50", 48" Door (supplied for field sizing)	DC13		
EXT.450	Filler Plate 19.50", 48" Door (supplied for field sizing)	DC35		
EXT.2244	Filler Plate 19.50", 48" Door (supplied for field sizing)	Champagne		
●	RODASY.10001	Top Rod Assy RHR AL=40.176", CL=42.500", DH=83.1875"		
●	RODASY.10002	Top Rod Assy RHR AL=41.426", CL=41.250", DH=83.1875"		
●	RODASY.10003	Top Rod Assy RHR AL=44.801", CL=37.875", DH=83.1875"		
●	RODASY.10004	Top Rod Assy RHR AL=42.676", CL=40", DH=83.1875"		
●	RODASY.10005	Top Rod Assy RHR AL=41.489", CL=41.250", DH=83.1875"		
●	RODASY.10006	Top Rod Assy LHR AL=40.176", CL=42.500", DH=83.1875"		
●	RODASY.10007	Top Rod Assy LHR AL=41.426", CL=41.250", DH=83.1875"		
●	RODASY.10008	Top Rod Assy LHR AL=44.801", CL=37.875", DH=83.1875"		
●	RODASY.10009	Top Rod Assy LHR AL=42.676", CL=40", DH=83.1875"		
●	RODASY.10010	Top Rod Assy LHR AL=41.489", CL=41.250", DH=83.1875"		
●	RODASY.10011	Bottom Rod Assy AL=41.877", CL=42.500"		
●	RODASY.10012	Bottom Rod Assy AL=40.627", CL=41.250"		
●	RODASY.10013	Bottom Rod Assy AL=37.252", CL=37.875"		
●	RODASY.10014	Bottom Rod Assy AL=39.377", CL=40"		

REFERENCE NOTES:

- Complete rod and latch assembly includes standard rod (4270100017) and (Nut.101).



Part No.	Description	Finish	Pkg Qty
1	HOUSING.123 2390 Cylinder Housing	P28	each
	HOUSING.124 2390 Cylinder Housing	P13	each
	HOUSING.125 2390 Cylinder Housing	P35	each
2	971974-00 Mortise Locking Collar	-	each
3	BRKTASY.118 2390 NL/HB Bracket Assembly	-	each
4	971585-89 Mounting Stud	-	each
5	WASHER.120 #10 Countersunk Washer	DC35	10
5	WASHER.121 #10 Countersunk Washer	US32D	10
6	SCREW.1083 10-24 x 1" OPHMS	US32D	10
7	SCREW.1082 1/4-20 x 3/8" SHCS	-	10
8	BRKT.152 2390 Rod Lift Bracket	-	each
9	SCREW.1084 1/4-28 x 3/4" SHCS	-	10
10	BRKTASY.155 Lift Bracket Kit - 2" Door	-	each
11	SCREW.1085 8-18 x 5/16" UFPHMS AB Screw	-	each

Strike

Part No.	Description	Finish	Pkg Qty
SHIM.112	PB48 Strike Shim	-	10
SCREW.1038	Screw 8-32 x 1/2" UFPHMS	BLACK	25
SCREW.1032	Screw 8-32 x 1/2" UFPHMS	US32D	25

EXITS
 Recessed
 Concealed Vertical Mid-Panel
 2390 Series