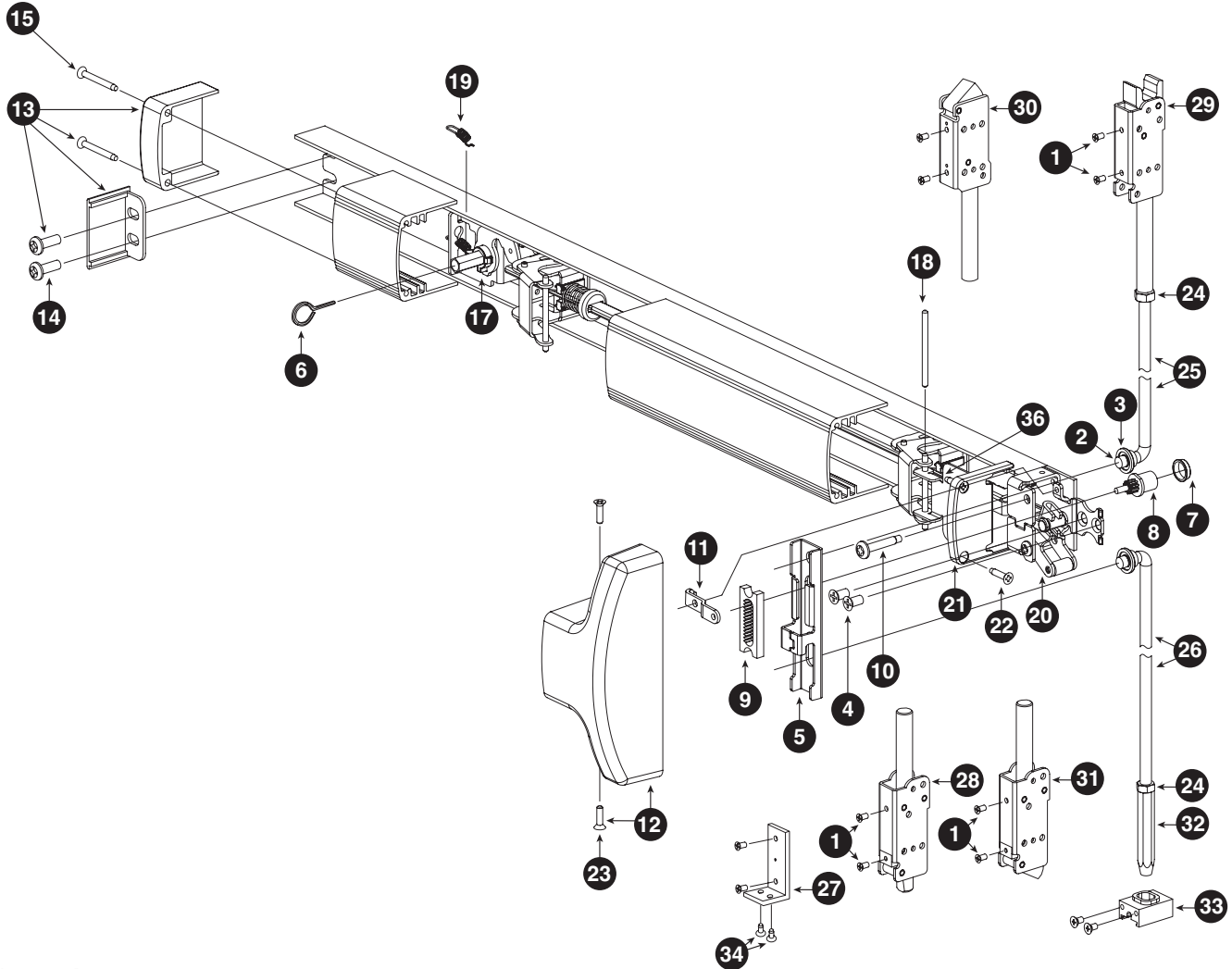


1690 Series

Exploded View and Parts List



EXITS

	Part No.	Description	Finish	Pkg Qty
1	SCREW.1028	10-32 1/4" UFPHMS	US32D	10
	SCREW.1029	10-32 1/4" UFPHMS	BLACK	10
2	BUSH.109	Bearing Bushing	-	10
3	RRING.109	Retaining Ring .250"	-	25
4	SCREW.1069	Lock Stile Mounting Screw	-	10
5	BRKT.138	Lift Bracket	-	each
6	KEY.10020	Hex Dogging Key 5/32"	-	10
	PKG.150	Auxiliary Package (part 1-6)	US28	each
	PKG.151	Auxiliary Package (part 1-6)	DC13/DC35	each
7	BUSH.102	Cylinder Bushing	-	10
8	CAM.102	Pinion Cam	-	10
	4270903177	Pinion Cam	-	each
9	RETRACT.101	Rod Retractor	-	10
10	SCREW.1074	Retainer Screw	-	10
11	BRKT.478	Pinion Support Bracket	-	each
12	COVER.113	Center Case Cover Kit	-	each
13	ECAP.130	Channel/Hinge End Cap Kit	-	each

Prices subject to change without notice

Exploded View And Parts List

1690 Series (continued)

	Part No.	Description	Finish	Pkg Qty
14	SCREW.1070	1/4-20 1/2" PPHMS Screw	-	10
15	SCREW.1072	#8 1.1/2" FPH TC Typ AB Screw (before September, 2004)	-	10
	SCREW.1143	8-18 1.1/4" FPH TF Typ 25	-	10
16	SCREW.1067	1/4-20 3/8" Hex Soc Set Screw	BLACK	3
	SCREW.1068	1/4-20 3/8" Hex Soc Set Screw	US28	3
17	KIT.1197	Dogging Kit		each
18	PIN.128	Push Bar Pin	-	10
19	971493-76	Dogging Spring	-	each
20	BRKTASY.107	Actuator Arm Bracket Assy	-	each
21	ECAP.129	Lock Stile Push Bar End Cap	P35	each
22	SCREW.1077	8-3/4" FPHSMS (before September, 2004)	BLACK	10
	SCREW.1141	8-18 .3/4" FPH TF Typ 25	-	10
23	SCREW.1025	8-5/8" FPHSMS (before September, 2004)	BLACK	10
24	NUT.101	Rod Jam Nut	-	10
25	4270100017	SU/PL/ES/RL Rod (Standard)	-	each
	4270102427	SU/PL/ES/RL Rod-1/4" Insulclad 7'	-	each
	4270102426	SU/PL/ES/RL Rod-1/4" Insulclad 8'	-	each
	4270100018	SU Rod 8' Door	-	each
	4270100172	SU Ext Rod Kit Up to 9' Dr (not shown)	-	each
	4270100197	SU Ext Rod Kit Up to 10' Dr (not shown)	-	each
26	4270101825	Hex Bottom Rod	-	each
27	BRKTASY.101	Latch Mtg Bracket Kit-HMD	-	each
28	● 4270100521	RL Bottom Latch	-	each
29	● 4270101806	SU Top Latch	-	each
30	● 4270100346	ES Top Latch	-	each
31	● 4270101482	PL Bottom Latch	-	each
32	BOLT.1004	Hex Bottom Bolt Beveled	-	each
33	4270107176	Hex Rod Guide Assembly	US32D	each
	4270107178	Hex Rod Guide Assembly	P35	each
	SCREW.1076	Hex Rod Guide Screws	US28	10
	SCREW.1081	Hex Rod Guide Screws	DC13/DC35	10
	PIN.110	ES Latch Pin	-	10
	PIN.109	SU/ES/PL/HH Latch Spirol Pin	-	10
34	SCREW.1037	10-32 3/8" FPHMS	-	25
	● 4270106632	SU Top Rod Assembly 7' Dr	-	each
	● 4270106633	SU Top Rod Assembly 8' Dr	-	each
	● 4270101818	SU Top Rod Assembly 9' Dr	-	each
	● 4270101819	SU Top Rod Assembly 10' Dr	-	each
	● 4270101873	ES Top Rod Assembly 7' Dr	-	each
	4270101874	ES Top Rod Assembly 8' Dr	-	each
	● 4270100522	RL Bottom Rod Assembly	-	each
	RODASY.1075	Hex Bottom Rod Assembly	-	each
	● 4270100266	PL Bottom Rod Assembly	-	each
36	BRKT.128	Pushbar Anchor Bracket	-	each

REFERENCE NOTES:

● Specify if door material other than aluminum. Complete rod and latch assembly includes (4270100017) standard rod and (Nut.101). Part numbers shown are for standard centerlines and assembled lengths.

1690 Series (continued)

Part No.	Description	Finish	Pkg Qty
KIT.1156	NL Cylinder Assy & Auxiliary Parts (parts 1-10)	US28	each
KIT.1157	NL Cylinder Assy & Auxiliary Parts (parts 1-10)	DC13/DC35	each
CYLASY.1083	1690NL Cylinder Assembly (parts 7-10)	-	each
SCREW.1121	10-32 3/8" UFPH TF	US28	8
SCREW.1114	10-32 3/8" UFPH TF	DC13/DC35	8
BRKT.156	Center Case Bracket	-	each
SWITCH.1006	RX Switch Wire Assembly (not shown) Valid for Field Install RX Option on Devices shipped after June, 2002	-	each
050534-00	EL Potted Circuit Breaker (not shown)	-	each
971687-00	EL Solenoid 24 VDC (not shown)	-	each
PLUNGER.101	EL Plunger (not shown)	-	each
110388-00	EL Cable Assembly (not shown)	-	each

1690/1790 Pushbars and Channels Standard EL

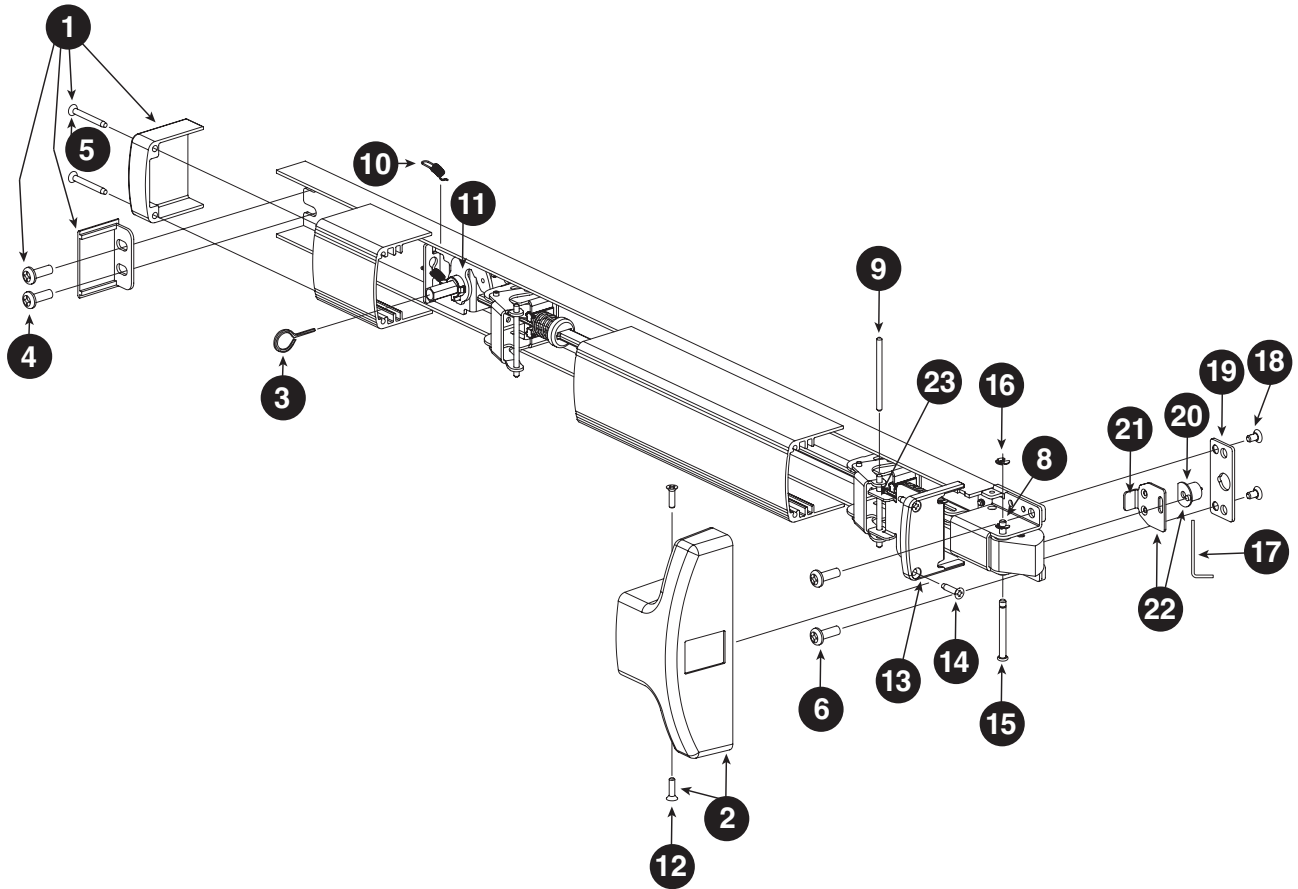
EXT.827	EXT.830	1690/1790 Pushbar 30"	US28	each
EXT.828	EXT.825	1690/1790 Pushbar 30"	DC13	each
EXT.829	EXT.826	1690/1790 Pushbar 30"	DC35	each
EXT.2351	EXT.2323	1690/1790 Pushbar 30"	US3	each
EXT.2352	EXT.2333	1690/1790 Pushbar 30"	US10	each
EXT.2353	EXT.2338	1690/1790 Pushbar 30"	US26	each
EXT.2354	EXT.2340	1690/1790 Pushbar 30"	US26D	each
EXT.608	EXT.398	1690/1790 Pushbar 36"	US28	each
EXT.609	EXT.399	1690/1790 Pushbar 36"	DC13	each
EXT.631	EXT.400	1690/1790 Pushbar 36"	DC35	each
EXT.2355	EXT.2324	1690/1790 Pushbar 36"	US3	each
EXT.2356	EXT.2334	1690/1790 Pushbar 36"	US10	each
EXT.2357	EXT.2339	1690/1790 Pushbar 36"	US26	each
EXT.2358	EXT.2289	1690/1790 Pushbar 36"	US26D	each
EXT.646	EXT.438	1690/1790 Pushbar 42"	US28	each
EXT.736	EXT.439	1690/1790 Pushbar 42"	DC13	each
EXT.737	EXT.441	1690/1790 Pushbar 42"	DC35	each
EXT.2359	EXT.2341	1690/1790 Pushbar 42"	US3	each
EXT.2360	EXT.2345	1690/1790 Pushbar 42"	US10	each
EXT.2361	EXT.2349	1690/1790 Pushbar 42"	US26	each
EXT.2362	EXT.2350	1690/1790 Pushbar 42"	US26D	each
EXT.738	EXT.442	1690/1790 Pushbar 48"	US28	each
EXT.739	EXT.443	1690/1790 Pushbar 48"	DC13	each
EXT.740	EXT.444	1690/1790 Pushbar 48"	DC35	each
EXT.2363	EXT.2298	1690/1790 Pushbar 48"	US3	each
EXT.2364	EXT.2303	1690/1790 Pushbar 48"	US10	each
EXT.2365	EXT.2304	1690/1790 Pushbar 48"	US26	each
EXT.2366	EXT.2294	1690/1790 Pushbar 48"	US26D	each
EXT.175		1690 Channel 27.138	US28	each
EXT.177		1690 Channel 27.138	DC13	each
EXT.741		1690 Channel 33.138	US28	each
EXT.742		1690 Channel 33.138	DC13	each
EXT.743		1690 Channel 33.138	DC35	each
EXT.744		1690 Channel 39.138	US28	each
EXT.745		1690 Channel 39.138	DC13	each
EXT.746		1690 Channel 39.138	DC35	each
EXT.747		1690 Channel 45.138	US28	each
EXT.748		1690 Channel 45.138	DC13	each
EXT.749		1690 Channel 45.138	DC35	each
4270109291		1690 Channel 32.250	US28	each
4270109295		1690 Channel 44.250	US28	each
4270109293		1690 Channel 44.250	DC35	each
EXT.178		1690 Channel 27.138	DC35	each
4270109297		1690 Channel 44.250	DC35	each
4270109423		1690 Channel 38.250	US28	each
4270109424		1690 Channel 38.250	DC13	each
4270109425		1690 Channel 38.250	DC35	each
EXT.101		1790 Channel 33.580	US28	each
EXT.102		1790 Channel 39.580	US28	each
EXT.103		1790 Channel 45.580	US28	each
4270109571		1790 Channel 33.580	DC13	each
4270109572		1790 Channel 39.580	DC13	each
4270109574		1790 Channel 33.580	DC35	each
4270109575		1790 Channel 39.580	DC35	each
4270109576		1790 Channel 45.580	DC35	each

Exploded View And Parts List

1790 Series

Exploded View and Parts List

EXITS



1790 Series

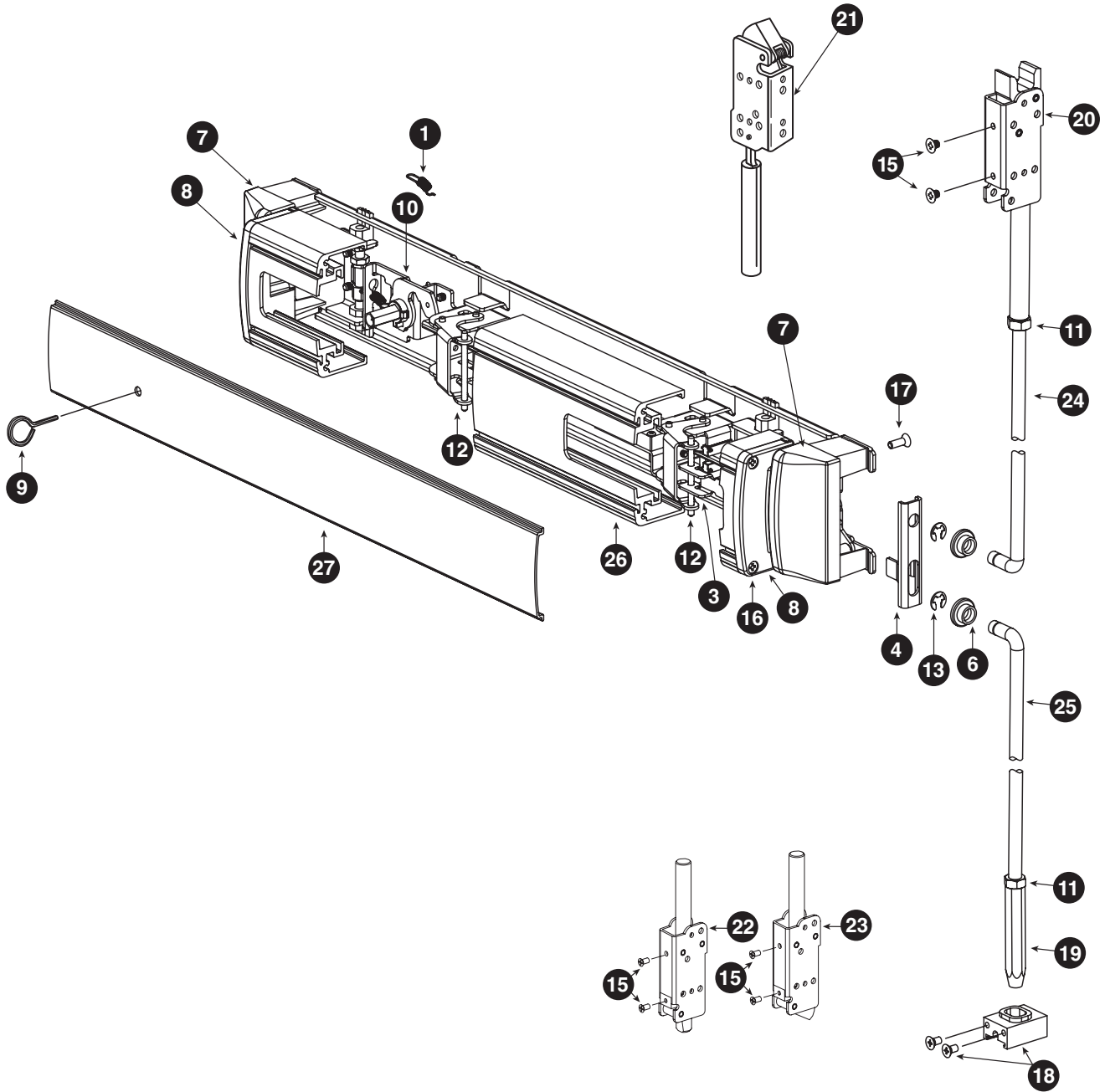
	Part No.	Description	Finish	Pkg Qty
1	ECAP.130	Channel/Hingeside End Cap Kit	-	each
2	COVER.120	Center Case Cover Kit	-	each
3	KEY.10020	Hex Dogging Key 5/32"	-	10
4	SCREW.1070	1/4-20 1/2" PPHMS Screw	-	10
5	SCREW.1072	#8 1.1/2" FPH TC Typ AB Screw (before September, 2004)	-	10
	SCREW.1143	8-18 1.1/4" FPH TF Typ 25	-	10
6	SCREW.1075	1/4-20 3/4" PPHMS Screw	-	10
	SCREW.1121	10-32 3/8" UFPH TF	US28	8
7	PKG.133	Auxiliary Package	-	each
8	LBOLT.105	Latch Assembly	-	each
	SWITCH.1006	RX Switch Wire Assembly (not shown) Valid for Field Install RX Option on Devices shipped after June, 2002	-	each
	050534-00	EL Potted Circuit Breaker (not shown)	-	each
	971687-00	EL Solenoid 24VDC (not shown)	-	each
	PLUNGER.101	EL Plunger (not shown)	-	each
	110388-00	EL Cable Assembly (not shown)	-	each
9	PIN.128	Pushbar Pin	-	10
10	971493-76	Dogging Spring	-	each
11	KIT.1197	Dogging Kit	US28	each
12	SCREW.1025	8 x 5/8" FPHTC Typ 25 (before July, 2006)	-	10
13	ECAP.129	Lock Stile End Cap	DC35	each
14	SCREW.1077	8-3/4" FPHSMS (before September, 2004)	BLACK	10
	SCREW.1141	8-18 .3/4" FPH TF Typ 25	-	10
15	969467-89	Latch Pin	-	each
17	4270109548	Short Arm Allen Wrench	-	each
	SCREW.1150	10-32 3/8" UFPH MS	-	10
19	SPACER.107	1790 Channel Spacer	-	each
20	CAMASY.101	Drive Bushing	-	each
21	SLIDER.101	Slider	-	each
22	CYLASY.1151	1790 NL/HB Cylinder Assembly	-	each
23	BRKT.128	Pushbar Anchor Bracket	-	each

Exploded View And Parts List

2390 Series

Exploded View and Parts List

EXITS



2390 Series

	Part No.	Description	Finish	Pkg Qty
1	971493-76	Dogging Spring	-	each
2	AXLE.1006	Lift Lever Axle	-	each
3	BRKT.137	Pushbar Anchor Bracket	-	each
4	BRKT.143	Lift Bracket	-	each
5	BRKTASY.107	Actuator Arm Bracket Assembly	-	each
6	BUSH.109	Bearing Bushing	-	10
7	COVER.127	Fixed Cover	-	each
8	ECAP.143	Moving Pushbar End Cap	-	each
9	KEY.10020	Hex Dogging Key 5/32"	-	10
10	KIT.1197	Dogging Kit	-	each
11	NUJ.101	Rod Jam Nut	-	10
12	PIN.128	Pushbar Pin	-	10
	PKG.134	Mounting Package (parts 4,6,9,13,15 on page 105)	US32D	each
	PKG.135	Mounting Package (parts 4,6,9,13,15 on page 105)	DC35	each
13	RRING.109	Retaining Ring .250	-	25
15	SCREW.1028	10-32 1/4" UFPHMS	US32D	10
	SCREW.1029	10-32 1/4" UFPHMS	BLACK	10
16	★ SCREW.1077	#8 3/4" FPH TF AB Screw (before September, 2004)	-	10
	SCREW.1141	8-18 .3/4" FPH TF Typ 25	-	10
17	SCREW.1088	12-14 1/2" UFPH MS Typ 25 Screw	-	10
	SCREW.1121	10-32 3/8" UFPH TF	US28	8
	SCREW.1114	10-32 3/8" UFPH TF	DC13/DC35	8
	SCREW.1076	Hex Rod Guide Screws	US28	10
	SCREW.1081	Hex Rod Guide Screws	DC13/DC35	10
	EXTROD.1001	Extension Rod Kit (not shown)	-	each
18	4270107176	Hex Rod Guide Assembly	US32D	each
	4270107178	Hex Rod Guide Assembly	P35	each
19	BOLT.1004	Hex Bottom Bolt-Beveled	-	each
20	4270101806	SU Top Latch	-	each
21	4270100346	ES Top Latch	-	each
22	4270100521	RL Bottom Latch	-	each
23	4270101482	PL Bottom Latch	-	each
	PIN.110	ES Latch Pin	-	10
	PIN.109	SU/ES/PL/HH Latch Spirol Pin	-	10
	● SWITCH.1006	RX Switch Wire Assembly (not shown)	-	each
		Valid for Field Install RX Option on Devices shipped after June, 2002		
	110388-00	EL Cable Assembly (not shown)	-	each
	050534-00	EL Potted Circuit Breaker (not shown)	-	each
	971687-00	EL Solenoid 24VDC (not shown)	-	each
	PLUNGER.101	EL Plunger (not shown)	-	each
24	ROD.1043	Top Rod 34.000", CL=42.5, DH=83.1875"	-	each
	4270103324	Top Rod 35.500", CL=41.25, DH=83.1875"	-	each
	ROD.1082	Top Rod 39.000", CL=37.875, DH=83.1875"	-	each
	ROD.1036	Top Rod 36.500", CL=40, DH=83.1875"	-	each
25	ROD.1080	Bottom Rod 40.000", CL=42.500"	-	each
	ROD.1044	Bottom Rod 38.500", CL=41.250"	-	each
	4270100017	Bottom Rod 35.125", CL=37.875"	-	each
	ROD.1011	Bottom Rod 37.500", CL=40"	-	each
	KIT.1128	2390 LBR KIT	-	each

REFERENCE NOTES:

● RX Switch Kit valid for Field Install RX option on devices shipped after June, 2002

★ For Devices shipped before September, 2004.

2390 Series (continued)

	Part No.	Description	Finish	
26	EXT.3000	Pushbar 21"	US28	
	EXT.3001	Pushbar 21"	DC13	
	EXT.3002	Pushbar 21"	DC35	
	EXT.3003	Pushbar 21"	Champagne	
	EXT.3004	Pushbar 24"	US28	
	EXT.3005	Pushbar 24"	DC13	
	EXT.3006	Pushbar 24"	DC35	
	EXT.3007	Pushbar 24"	Champagne	
	27	EXT.3008	Coverplate 21"	US28
		EXT.3009	Coverplate 21"	DC13
		EXT.3010	Coverplate 21"	DC35
		EXT.3011	Coverplate 21"	Champagne
		EXT.3012	Coverplate 24"	US28
		EXT.3013	Coverplate 24"	DC13
EXT.3014		Coverplate 24"	DC35	
EXT.3015		Coverplate 24"	Champagne	
EXT.3050		EL Coverplate 21"	US28	
EXT.3051		EL Coverplate 21"	DC13	
EXT.3052		EL Coverplate 21"	DC35	
EXT.3053		EL Coverplate 21"	Champagne	
EXT.3054		EL Coverplate 24"	US28	
EXT.3055		EL Coverplate 24"	DC13	
EXT.3056		EL Coverplate 24"	DC35	
EXT.3057		EL Coverplate 24"	Champagne	
CHASY.147		Channel Assembly 36" Door (supplied for field sizing)	US28	
CHASY.160		Channel Assembly 36" Door (supplied for field sizing)	DC13	
CHASY.107		Channel Assembly 36" Door (supplied for field sizing)	DC35	
CHASY.158		Channel Assembly 36" Door (supplied for field sizing)	Champagne	
CHASY.108		Channel Assembly 48" Door (supplied for field sizing)	US28	
CHASY.109		Channel Assembly 48" Door (supplied for field sizing)	DC13	
CHASY.125		Channel Assembly 48" Door (supplied for field sizing)	DC35	
CHASY.207		Channel Assembly 48" Door (supplied for field sizing)	Champagne	
EXT.2927		Filler Plate 16.50", 42" Door (supplied for field sizing)	US28	
EXT.2949		Filler Plate 16.50", 42" Door (supplied for field sizing)	DC13	
EXT.2950		Filler Plate 16.50", 42" Door (supplied for field sizing)	DC35	
EXT.2951		Filler Plate 16.50", 42" Door (supplied for field sizing)	Champagne	
EXT.440		Filler Plate 19.50", 48" Door (supplied for field sizing)	US28	
EXT.445		Filler Plate 19.50", 48" Door (supplied for field sizing)	DC13	
EXT.450		Filler Plate 19.50", 48" Door (supplied for field sizing)	DC35	
EXT.2244		Filler Plate 19.50", 48" Door (supplied for field sizing)	Champagne	
●		RODASY.10001	Top Rod Assy RHR AL=40.176", CL=42.500", DH=83.1875"	
●		RODASY.10002	Top Rod Assy RHR AL=41.426", CL=41.250" DH=83.1875"	
●		RODASY.10003	Top Rod Assy RHR AL=44.801", CL=37.875", DH=83.1875"	
●	RODASY.10004	Top Rod Assy RHR AL=42.676", CL=40", DH=83.1875"		
●	RODASY.10005	Top Rod Assy RHR AL=41.489", CL=41.250", DH=83.1875"		
●	RODASY.10006	Top Rod Assy LHR AL=40.176", CL=42.500", DH=83.1875"		
●	RODASY.10007	Top Rod Assy LHR AL=41.426", CL=41.250", DH=83.1875"		
●	RODASY.10008	Top Rod Assy LHR AL=44.801", CL=37.875", DH=83.1875"		
●	RODASY.10009	Top Rod Assy LHR AL=42.676", CL=40", DH=83.1875"		
●	RODASY.10010	Top Rod Assy LHR AL=41.489", CL=41.250", DH=83.1875"		
●	RODASY.10011	Bottom Rod Assy AL=41.877", CL=42.500"		
●	RODASY.10012	Bottom Rod Assy AL=40.627", CL=41.250"		
●	RODASY.10013	Bottom Rod Assy AL=37.252", CL=37.875"		
●	RODASY.10014	Bottom Rod Assy AL=39.377", CL=40"		

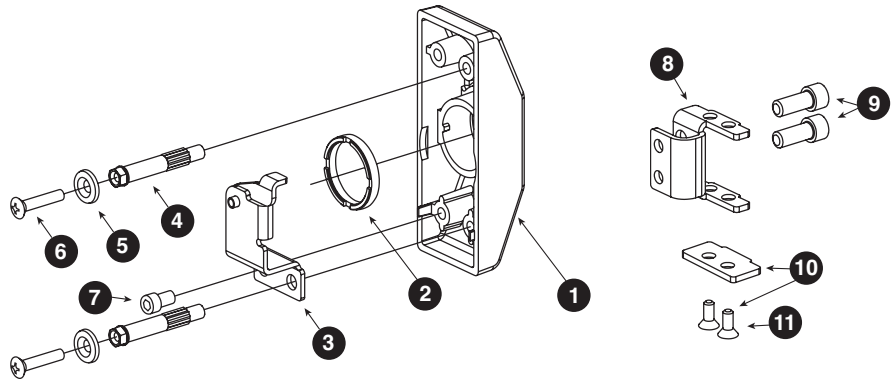
REFERENCE NOTES:

- Complete rod and latch assembly includes standard rod (4270100017) and (Nut.101).

2390 Series

Cylinder Assembly

2390



Part No.	Description	Finish	Pkg Qty
1 HOUSING.123	2390 Cylinder Housing	P28	each
HOUSING.124	2390 Cylinder Housing	P13	each
HOUSING.125	2390 Cylinder Housing	P35	each
2 971974-00	Mortise Locking Collar	-	each
3 BRKTASY.118	2390 NL/HB Bracket Assembly	-	each
4 971585-89	Mounting Stud	-	each
5 WASHER.120	#10 Countersunk Washer	DC35	10
5 WASHER.121	#10 Countersunk Washer	US32D	10
6 SCREW.1083	10-24 x 1" OPHMS	US32D	10
7 SCREW.1082	1/4-20 x 3/8" SHCS	-	10
8 BRKT.152	2390 Rod Lift Bracket	-	each
9 SCREW.1084	1/4-28 x 3/4" SHCS	-	10
10 BRKTASY.155	Lift Bracket Kit - 2" Door	-	each
11 SCREW.1085	8-18 x 5/16" UFPHMS AB Screw	-	each

Strike/Mullion/Trim

Strike

Part No.	Description	Finish	Pkg Qty
SHIM.112	PB48 Strike Shim	-	10
SCREW.1038	Screw 8-32 x 1/2" UFPHMS	BLACK	25
SCREW.1032	Screw 8-32 x 1/2" UFPHMS	US32D	25
SHIM.150	TD35 Strike Shim	BLACK	each
SCREW.1016	TD35 Screw 10-32 x 1" FPHMS	BLACK	25
4270109590	TD35 Wear Strip	-	each
RIVET.101	TD35 Drive Rivet	-	25

Mullion

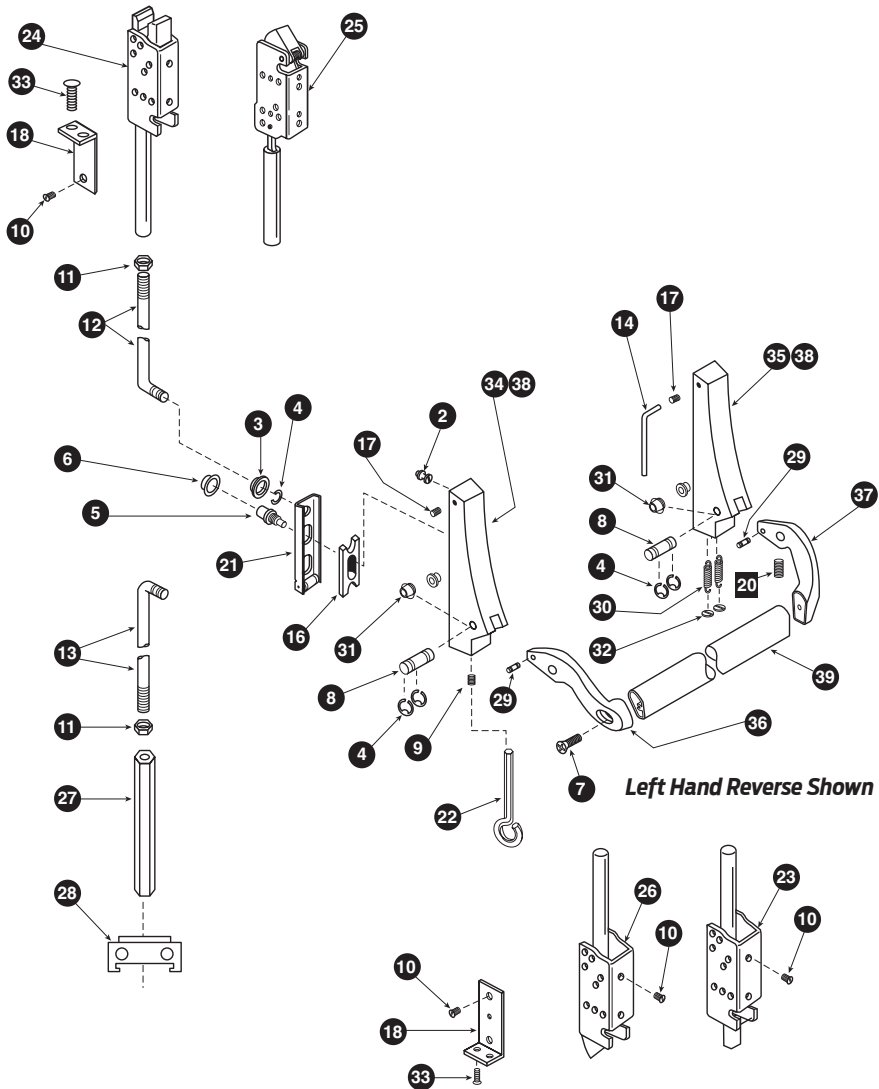
4270108954	RM170 Mullion Bracket Pkg	-	each
4270107489	RM150 Mullion Bracket Pkg	-	each

Trim

STUD.102	9970 Mounting Stud	-	10
----------	--------------------	---	----

1990 Series

(For Devices Furnished After 5/1/77)



1990 Series

(For Devices Furnished After 5/1/77)

	Part No.	Description	Finish	Pkg Qty
2	STUD.10	Case Mounting Stud	-	10
3	BUSH.109	Bearing Bushing	-	10
4	RRING.109	Retaining Ring .250	-	25
5	CAM.102	Pinion Cam	-	10
	4270903177	Pinion Cam	-	each
6	BUSH.102	Cylinder Bushing	-	10
7	SCREW.1027	1/4-20 1" FPHTC Typ 23	US32D	10
	SCREW.1015	1/4-20 1" FPHTC Typ 23	BLACK	10
8	PIN.106	990 Axle Pin	US32D	10
	PIN.115	1990 Axle Pin	-	10
9	SCREW.1022	Dog Screw	-	25
10	SCREW.1028	10-32 1/4" UFPHMS	US32D	10
	SCREW.1029	10-32 1/4" UFPHMS	BLACK	10

1990 Series

(For Devices Furnished After 5/1/77)

	Part No.	Description	Finish	Pkg Qty
11	NUT.101	Rod Jam Nut	-	10
12	4270100017	SU/PL/ES/RL Rod	-	each
	4270102427	SU/PL/ES/RL Rod-1/4" Insulclad 7'	-	each
	4270102426	SU/PL/ES/RL Rod-1/4" Insulclad 8'	-	each
13	4270101825	Hex Bottom Rod	-	each
14	WRENCH.101	Allen Wrench	-	10
16	RETRACT.101	Rod Retractor	-	10
17	SCREW.1030	1/4-20 3/8" Hex Soc Set	US32D	25
	SCREW.1039	1/4-20 3/8" Hex Soc Set	BLACK	25
18	BRKTASY.101	Latch Mtg Bracket Kit-HMD	-	each
21	4270100013	Lift Bracket Assembly	-	each
22	KEY.101	Hex Dogging Key	-	10
23	● 4270100521	RL Bottom Latch	-	each
24	● 4270101806	SU Top Latch	-	each
25	● 4270100346	ES Top Latch	-	each
26	● 4270101482	PL Bottom Latch	-	each
27	4270101830	Hex Bottom Bolt	-	each
28	4270107176	Hex Rod Guide Assembly	US32D	each
	4270107178	Hex Rod Guide Assembly	P35	each
	SCREW.1076	Hex Rod Guide Screws	US28	10
	SCREW.1081	Hex Rod Guide Screws	DC13/DC35	10
	PIN.110	ES Latch Pin	-	10
	RETAIN.101	Case Retainer	-	10
	PIN.109	SU/ES/PL/HH Latch Spirol Pin	-	10
	4270100312	Crossbar Tie Rod	-	each
	RRING.103	End Case Retaining Ring	-	25
29	PIN.104	Spring Pin	-	10
30	SPRING.103	Tension Spring	-	10
31	BUSH.103	Axle Bushing	-	25
32	RETAIN.102	Spring Retainer	-	25
33	SCREW.1037	10-32 3/8" FPHMS	-	25
	● 4270106632	SU Top Rod Assembly 7' Dr	-	each
	● 4270106633	SU Top Rod Assembly 8' Dr	-	each
	● 4270101818	SU Top Rod Assembly 9' Dr	-	each
	● 4270101819	SU Top Rod Assembly 10' Dr	-	each
	● 4270101873	ES Top Rod Assembly 7' Dr	-	each
	4270101874	ES Top Rod Assembly 8' Dr	-	each
	● 4270100522	RL Bottom Rod Assembly	-	each
	4270101831	Hex Bottom Rod Assembly	-	each
	● 4270100266	PL Bottom Rod Assembly	-	each
	4270100018	SU Rod 8' Door	-	each
	4270100172	SU Ext Rod Kit Up to 9' Dr	-	each
	4270100197	SU Ext Rod Kit Up to 10' Dr	-	each

REFERENCE NOTES:

- Specify if door material other than aluminum. Complete rod and latch assembly includes standard rod (4270100017) and nut, (NUT.101). Part numbers shown are for standard centerlines and assembled lengths.

Part No.**Finish**

34 End Case Assy LH

(Includes part numbers: 4, 8, 9, 17, 29, 31, 32, 36, 38 on page 84)

**LH = Lock Stile assembly for LHR Device or
Hinge Stile assembly for RHR Device**

4270902776 P28

4270902778 P13

4270902779 P35

CASE.223 US26D

36 Lever Arm LH

**LH = Lock Stile Lever Arm for LHR Device or
Hinge Stile Lever Arm for RHR Device**

4270902799 P28

4270902802 P13

4270902803 P35

LARM.180 US26D

38 Housing Assembly

(Includes housing, retainer spring, retainer, dog screw and mounting screws)

4270902787 P28

4270902789 P13

4270902790 P35

HOUSING.231 US26D

35 End Case Assy RH

(Includes part numbers: 4, 8, 9, 17, 29, 31, 32, 37, 38 on page 84)

**RH = Lock Stile assembly for RHR Device or
Hinge Stile assembly for LHR Device**

4270902782	P28
4270902784	P13
4270902785	P35
CASE.222	US26D

37 Lever Arm RH

**RH = Lock Stile Lever Arm for RHR Device or
Hinge Stile Lever Arm for LHR Device**

4270902805	P28
4270902808	P13
4270902809	P35
LARM.188	US26D

39 Crossbar 41"

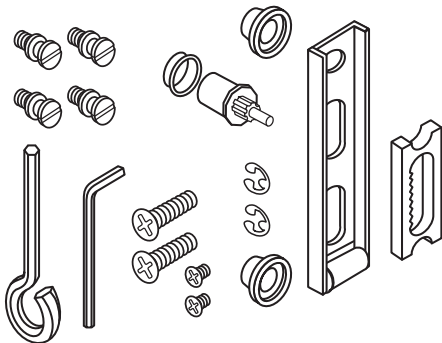
4270900091	US28
4270900094	DC13
4270900095	DC35

Crossbar 48"

CBAR.101	US28
CBAR.116	DC13
CBAR.135	DC35

Crossbar Devices

990 and 1990 Auxiliary Pkg.



Part Number

4270902091

US32D

4270902095

DC35

Panic Device Repair Kit

Complete Repair Kit

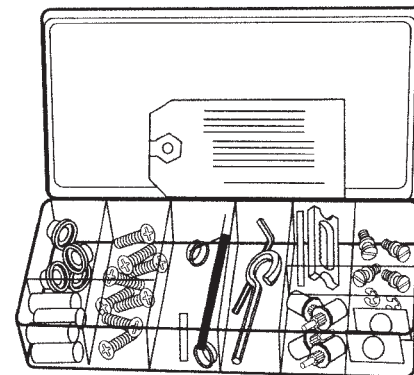
4270100583

Maintenance Kit Box only

4270100582

Kit Includes:

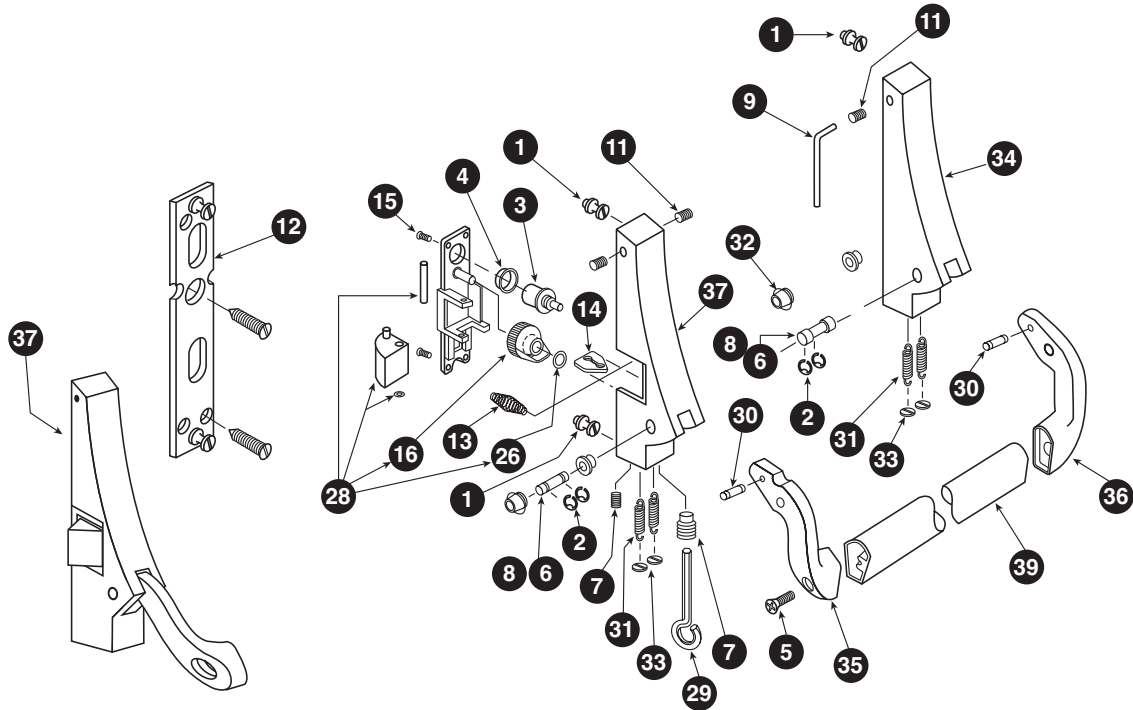
	Part Number	Description	Replacement Pkg.	
12	RING.108	Retaining Rings	RRING.109	(pkg/25)
6	4270100130	1/4-20 x 3/8 Set Screws	SCREW.1030	(pkg/25)
6	BUSH.108	Bearing Bushing	BUSH.109	(pkg/10)
8	4270101753	Tension Springs	SPRING.103	(pkg/10)
2	4270100153	Dogging Screws	SCREW.1022	(pkg/25)
10	963128-00	10-32 x 1/4 UFPH MS	SCREW.1028	(pkg/10)
6	4299100213	1/4-20 x 1" FPH MS	SCREW.1027	(pkg/10)
3	4270100152	Spring Pins	PIN.104	(pkg/10)
1	4270100116	Dogging Key	KEY.101	(pkg/10)
1	963100-00	1/8" Allen Wrench	WRENCH.101	(pkg/10)
3	4270100110	Retractor	RETRACT.101	(pkg/10)
4	4270903177	Pinion Cams	CAM.102	(pkg/10)
8	4230100017	Center Case Mounting Studs	STUD.101	(pkg/10)
8	4270100151	Tension Springs	SPRING.102	(pkg/10)
6	4270101778	Axle Bushings	BUSH.103	(pkg/25)
3	4270108353	PB48 Strike US32D		EACH
4	4270100663	Cylinder Bushings	BUSH.102	(pkg/10)
1	4270100013	Lift Bracket Assy		EACH
4	4270106997	Axle Pins	PIN.115	(pkg/10)
2	4270100026	3/16 x 13/16 Roll Pins	PIN.109	(pkg/10)
2	4270100075	3/16 x 9/16 Roll Pins	PIN.110	(pkg/10)
1	4270100299	Dogging Key Tag		EACH
12	4299100997	Retaining Rings	RRING.103	(pkg/25)
1	4270100582	Maintenance Kit Box		EACH
8	4270101782	1990 Spring Retainer	RETAIN.102	(pkg/25)
3	4270106349	SU Latchbolt		EACH



**Parts Kit For Easy Servicing Of
1990 Devices**

2090 Series

(For Devices Furnished After 5/1/77)



Left Hand Reverse Shown

2090 Series

(For Devices Furnished After 5/1/77)

	Part No.	Description	Finish	Pkg Qty
1	STUD.101	Case Mounting Stud	-	10
2	RRING.103	Retaining Ring .250	-	10
3	CAM.102	Pinion Cam	-	10
	4270903177	Pinion Cam	-	each
4	BUSH.102	Cylinder Bushing	-	10
5	SCREW.1027	1/4-20 1" FPHTC TYP23	US32D	10
	SCREW.1015	1/4-20 1" FPHTC TYP23	BLACK	10
6	PIN.106	1090 Axle Pin	SS	10
	PIN.115	2090 Axle Pin	US32D	10
	PIN.116	Latch Pivot Pin	-	10
7	SCREW.1022	Dog Screw	-	25
9	WRENCH.101	Allen Wrench	-	10
11	SCREW.1030	1/4-20 3/8" Hex Soc Set Screw	US32D	25
	SCREW.1039	1/4-20 3/8" Hex Soc Set Screw	BLACK	25
12	4270100304	Adapter Plate Assembly	-	2
13	SPRING.104	Latch Spring	-	10
14	4270101840	Latch Link	-	each
15	SCREW.1031	4-40 3/8" FL Posi-Drive Screw	-	10
16	RETRACT.102	Latchbolt Retractor	-	10
26	RRING.102	Retaining Ring .240	-	10
28	4270902968	2090 Backplate Assembly LHR	-	each
	4270902974	2090 Backplate Assembly RHR	-	each
29	KEY.101	Hex Dogging Key	-	10
	4270100312	Crossbar Tie Rod	-	each
30	PIN.104	Spring Pin	-	10
	SPRING.103	Tension Spring	-	10
32	BUSH.103	Axle Bushing	-	25
33	RETAIN.102	Spring Retainer	-	25

34 End Case Assy LH

(Includes part numbers: 2, 6, 7, 11, 25, 31, 32, 33, 35, 37 on page 88)

LH = Hinge Stile assembly for RHR Device

4270902776	P28
------------	-----

4270902778	P13
------------	-----

4270902779	P35
------------	-----

CASE.223	US26D
----------	-------

35 Lever Arm LH - Active

LH = Lock Stile Lever Arm for LHR Device

4270902763	P28
------------	-----

4270902766	P13
------------	-----

4270902767	P35
------------	-----

LARM.216	US26D
----------	-------

36 Lever Arm LH - End Case

LH = Hinge Stile Lever Arm for RHR Device

4270902799	P28
------------	-----

4270902802	P13
------------	-----

4270902803	P35
------------	-----

LARM.180	US26D
----------	-------

34 End Case Assy RH

(Includes part numbers: 2, 6, 7, 11, 25, 31, 32, 33, 34, 36 on page 88)

RH = Hinge Stile assembly for LHR Device

4270902782 P28

4270902784 P13

4270902785 P35

CASE.222 US26D

35 Lever Arm RH - Active

RH = Lock Stile Lever Arm for RHR Device

4270902769 P28

4270902772 P13

4270902773 P35

LARM.205 US26D

36 Lever Arm RH - End Case

RH = Hinge Stile Lever Arm for LHR Device

4270902805 P28

4270902808 P13

4270902809 P35

LARM.188 US26D

Part No.**Finish**

37 Active Housing Assembly LH

(Includes part numbers: 3, 4, 14, 15, 28, 34 on page 88)

LH = Lock Stile assembly for LHR Device

4270902740	P28
------------	-----

4270902742	P13
------------	-----

4270902743	P35
------------	-----

CASE.243	US26D
----------	-------

39 Crossbar 41"

4270900091	US28
------------	------

4270900094	DC13
------------	------

4270900095	DC35
------------	------

Part No.**Finish**

37 Active Housing Assembly RH

(Includes part numbers: 3, 4, 14, 15, 28, 34 on page 88)

RH = Lock Stile assembly for RHR Device

4270902746

P28

4270902748

P13

4270902749

P35

CASE.229

US26D

Crossbar 48"

CBAR.101

US28

CBAR.116

DC13

CBAR.135

DC35