

Features

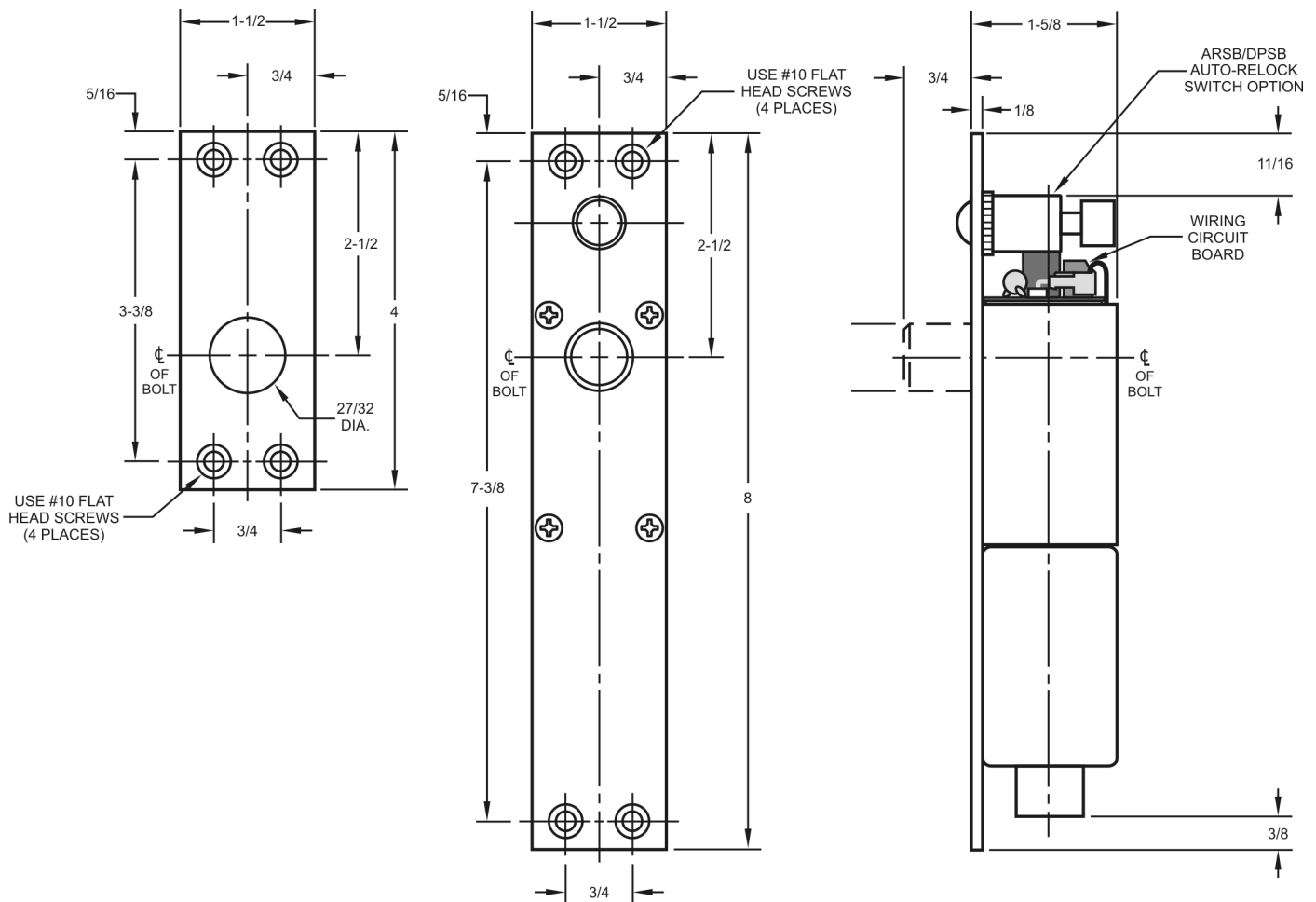
DUAL VOLTAGE: Power input is installer-configurable for 12 or 24 VAC/VDC input.

FAIL SAFE: Bolt extends only when power is applied and lock is energized. Interruption of power causes the bolt to automatically spring retract.

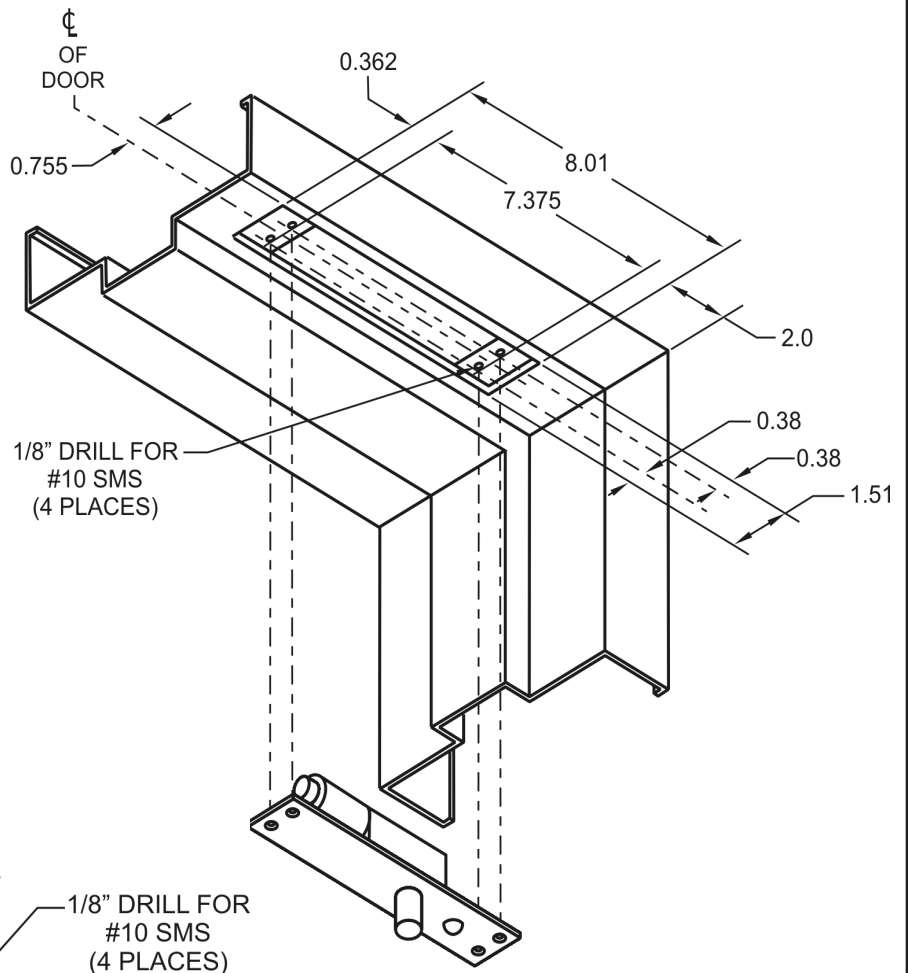
NARROW 1-5/8" BACKSET: Compact design allows for installation in header or jamb plus top, vertical or bottom door stile when power is transferred to the door.

STATUS MONITORING: Optional built-in door and / or bolt position status reporting with a choice of concealed or visible sensors.

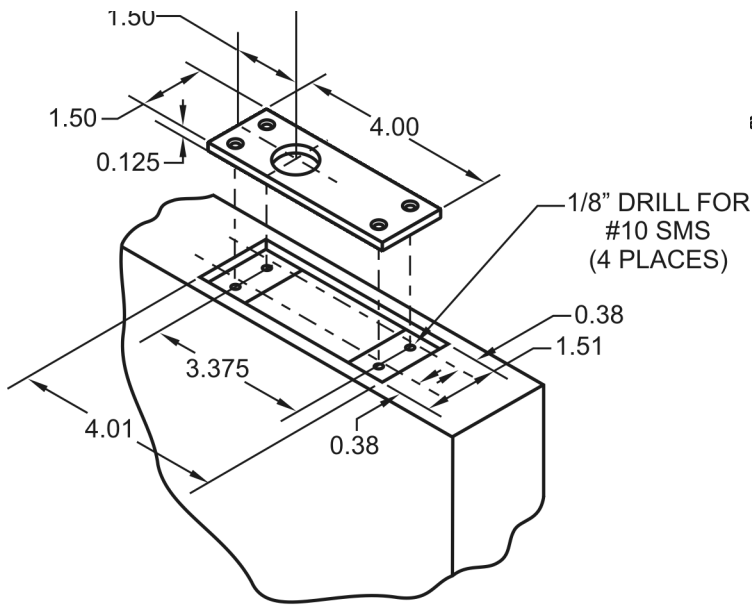
SILENT & CONTINUOUS DUTY: Heavy Duty low voltage solenoid is designed to withstand continuous duty.



Door and Frame Preparation



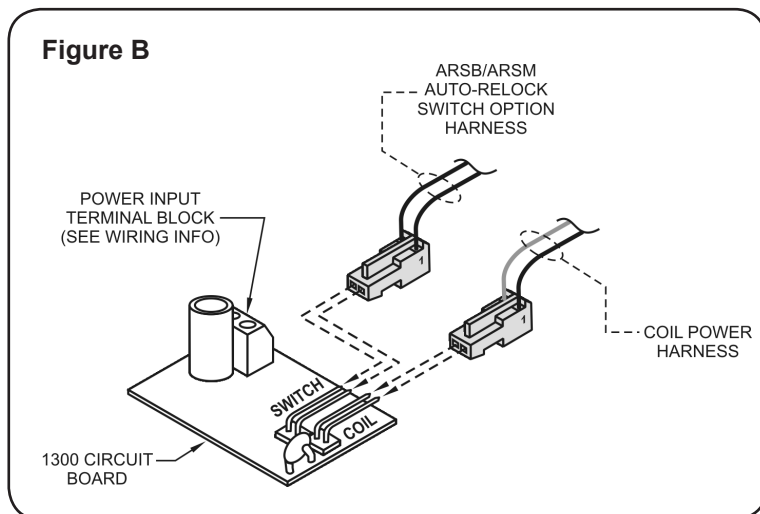
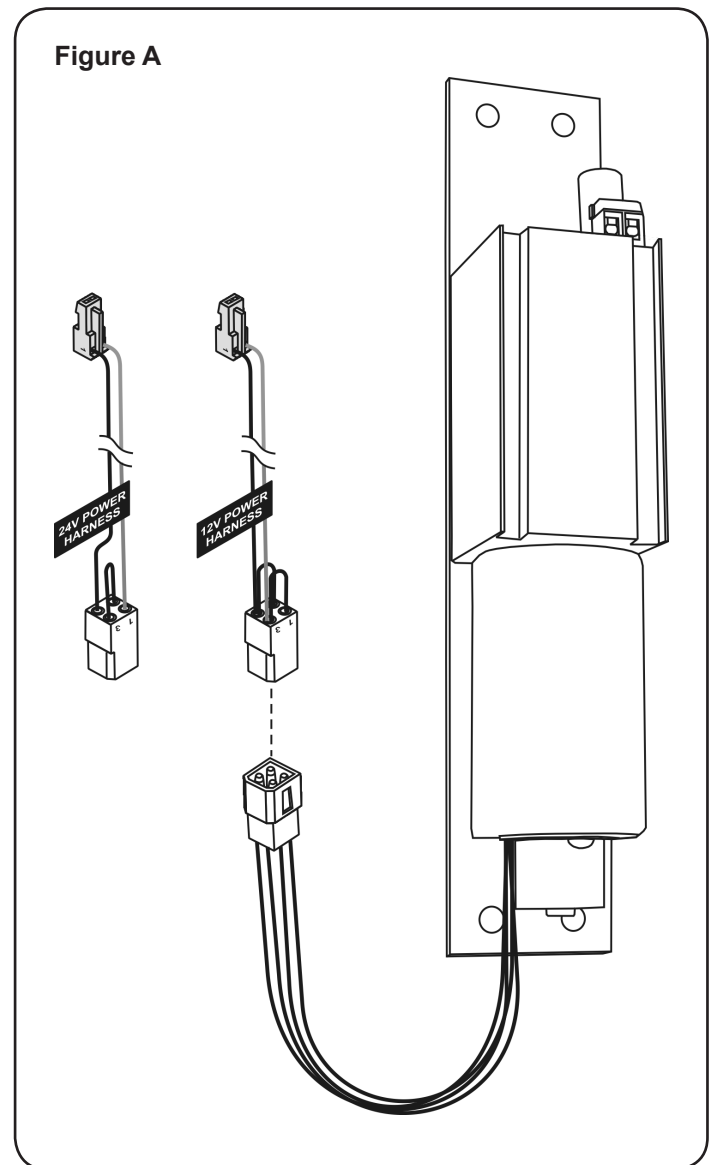
FRAME PREPARATION



DOOR PREPARATION

Configuring Input Power

- 1) Select the included 12V or 24V Power Harness, to match the output voltage of your power supply, and connect its 4-pin plug-end to the matching connector on the 1300 coil harness (Figure A).
- 2) Connect the 2-pin plug-end of the assembled power harness to the 1300 Circuit Board, by sliding it onto the circuit board pins marked "COIL". If equipped, the ARSB/ARSM Auto-Relock Switch Option wire harness should be connected on the adjoining set of pins marked "SWITCH". See Figure B for further detail.
- 3) Proceed to Wiring Info, page 4, to complete the electrical installation.



Installation Procedure

Note: Not recommended for installation in wood frames.

- 1) Provide a cutout with clearance for a 1-1/2" wide x 8" high lock front. A 1-5/8" backset minimum must be present.
- 2) Provide a cutout with clearance for a 1-1/2" wide x 4" high strike.
- 3) Install mounting brackets at the ends of both strike & lockfront cutouts. Brackets should project into cutout area 9/16" maximum. Leaving a clear opening of 6-7/8" for the lockfront & 2-7/8" for the strike.
- 4) Install lock & strike in cutouts & use the mounting holes in the lock front & strike as templates to finish drilling screw locations in the mounting brackets.
- 5) Remove any metal chips or burrs left by the installation.
- 6) Make wire connections & take care not pinch any wiring when installing the lock.

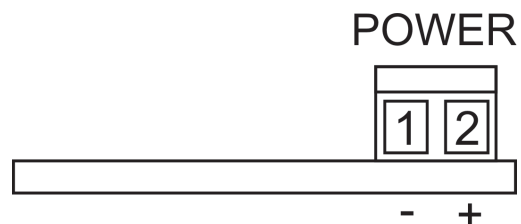
Input Power Wiring

12 or 24 VDC:

Apply the voltage as follows.

Negative to pin 1

Positive to pin 2.



12 or 24 VAC:

The connections are not polarized for AC operation.

Apply the voltage to pins 1 & 2.



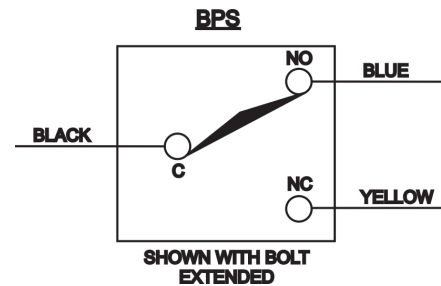
Options

ARSB - Auto Relock Switch Ball type
SPDT Switch insures that the deadbolt will only project when the door is in the closed position.

ARSM - Auto Relock Switch Magnetic
SPDT Switch similiar function to ARSB. Not recommended for installation in steel doors.

BPS - Bolt Position Switch
SPDT Switch signals a bolt extended or retracted condition.

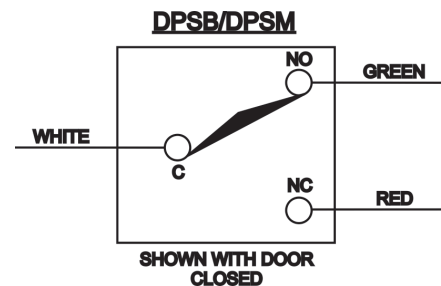
TYPICAL WIRING



DPSB - Door Position Switch Ball type
SPDT Switch signals a door closed/open condition to a remote location.

DPSM - Door Position Switch Magnetic
SPDT Switch signals a door closed/open condition to a remote location. Not recommended for installation in steel doors.

TYPICAL WIRING



MB - Mounting Brackets
1 set (4 pieces) of predrilled mounting brackets to facilitate lock mounting.

**PLEASE DELIVER THIS MANUAL
THE END USER UPON COMPLETION OF THE
1300 INSTALLATION**

**FOR PRODUCT SUPPORT AND PARTS
ORDERING INFORMATION CONTACT:**

DynaLock Corp.
705 Emmett Street
Bristol, CT 06010
Bus: (877) 396-2562 Toll-Free USA
(860) 582-4761
Fax: (860) 585-0338

DYNALOCK ON THE INTERNET:

E-mail: info@dynalock.com
Website: www.dynalock.com