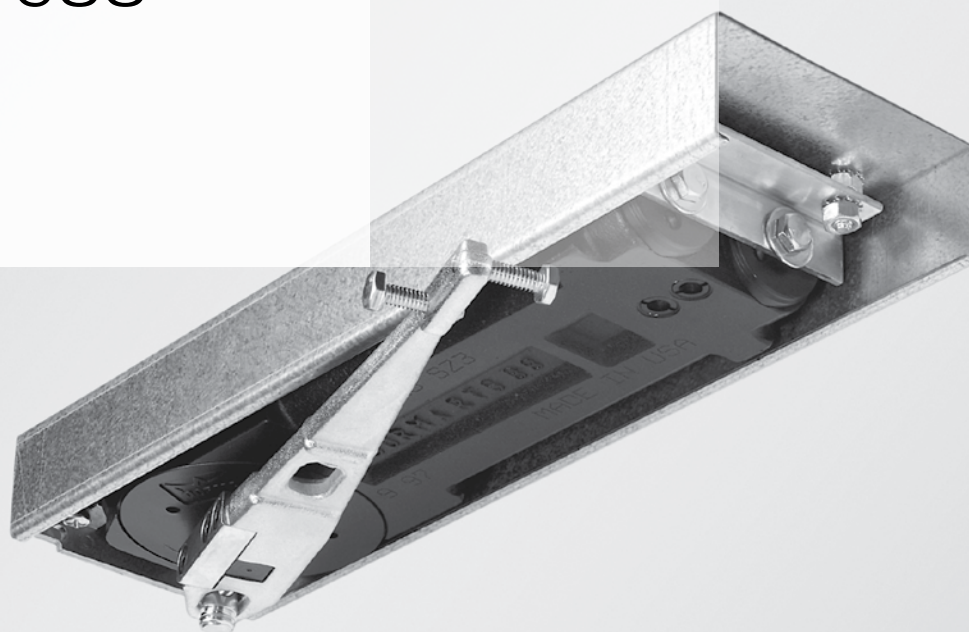


RTS88

—



Overhead Concealed Door Closer

# DORMA RTS88 OVERHEAD CONCEALED DOOR CLOSER



## CONTENTS

<b>RTS88 Overhead Concealed Door Closer</b>	Specifications	3
	Technical Details	3
Application Drawings	<b>Side Load Packages</b>	
	Aluminum Door and Frame – RTS01/RTS02	5
	Steel Door and Frame – RTS03	6
	Wood Door and Steel Frame – RTS04	7
	Wood Door and Frame – RTS05	8
	Wood Door and Aluminum Frame – RTS06	9
	<b>End Load Packages</b>	
	Aluminum Door and Frame, 1" Top Rail – RTS07–RTS10	10
	Aluminum Door and Frame, 7/8" Top Rail – RTS11–RTS14	11
	Aluminum Door and Frame, 3/4" Top Rail – RTS15–RTS18	12
	Aluminum Door and Frame, 5/8" Top Rail – RTS19–RTS22	13
	<b>Offset Slide Arm Packages</b>	
	Aluminum Door and Frame, Hinges – RTS25	14
	Aluminum Door and Frame, Pivots – RTS26	15
	Steel Door and Frame, Hinges/Pivots – RTS27	16
Wood Door and Steel Frame, Hinges/Pivots – RTS28	17	
Wood Door and Frame, Hinges/Pivots – RTS29	18	
Wood Door and Aluminum Frame, Hinges – RTS30	19	
Wood Door and Aluminum Frame, Pivots – RTS31	20	
Accessories	Arms	21
	Pivots	24
	Cover Plates	26
	Miscellaneous	27

**Invisible door control — Dependable and easy to install**

Architects are often challenged to design buildings that are both beautiful and functional, down to the last detail. The DORMA RTS88 overhead concealed door closer offers the perfect solution for those who prefer the aesthetic advantages of a concealed door closer.

The RTS88 is designed to give lasting, dependable service where surface applied units and other types of closers are not suitable, or would interfere with the architectural design. The RTS88 may be easily installed in wood, aluminum, or hollow metal doors and frames, for single and double-acting doors. Contractors appreciate the RTS88 closer, because the majority of door and frame preparation is done prior to installation of the unit, resulting in less on-site machining. The RTS88 is also an excellent replacement closer for problem entrances encountering vandalism of surface applied closers.

The RTS88 closer has a compact body size which fits into a 1-3/4" x 4" header for aluminum frames and is also easily adaptable to wood and hollow metal frame configurations.

Openings fitted with the RTS88 are capable of 90° or 105° maximum opening door swing, trim conditions permitting. Sweep and latch closing speeds are controlled by two noncritical temperature compensating valves to insure constant closing speeds even under the most extreme temperature conditions. A built-in pressure relief valve protects the closer from abuse due to forced closing. A cushion at 90° or 105°, depending on the model selected, helps protect the door, frame, and adjoining structure.

**NOTE: Always use an auxiliary stop in conjunction with RTS88 installations.**

The RTS88 may be used on doors weighing up to a maximum of 250 lb (interior) or 200 lb (exterior), including all hardware. The closer may be used on exterior doors up to a maximum 3'-6" width and interior doors up to a maximum 4' width.

A complete line of accessories is available for wood, aluminum, and hollow metal applications, both single and double-acting center hung doors, and hinged or offset pivoted single-acting doors.

Other accessories include cover plates for wood, aluminum, and hollow metal frames, and extended spindles for increased clearances at the top of the door. Optional hold open units are available, effective at either 90° or 105°.

**Technical Details**

- Compact closer body is designed to fit into headers as small as 1-3/4"x4".
- Closer body is non-handed.
- One closer for both single-acting or double-acting doors.
- Accommodates maximum door weight of 250 lb (interior) or 200 lb (exterior), including all hardware.
- A pressure relief valve protects closer from damage caused by forced closing.
- An integral cushion limits door swing to 90° or 105°. An auxiliary stop must always be installed in conjunction with RTS88.
- A mechanical backcheck slows down the door prior to contact with the cushion.
- Closing speeds are controlled by two non-critical adjustment valves. Sweep area is from 105°-20°. Latch area is from 20°-0°.

- Thermostatic valves insure constant closing speeds under varying temperatures.
- The standard RTS88 is furnished without hold open. Optional single point mechanical hold open is available at 90° or 105°.
- The RTS88 BFI and RTS 88 BFE are available in 105° NHO and 105° HO only.
- The RTS88 offers a cast-iron body along with heavy-duty ball bearings at the spindle.
- Steel cam and roller assembly is coupled to dual steel pistons.
- Mounting brackets are available to install closer into aluminum or wood headers.
- Packages are available for side load, end load, and offset slide arm applications. For independently hung doors with 8812 slide arm, the maximum degree of opening and hold open angle may vary slightly.
- No. 8532 steel header mounting channel is specifically designed to install the RTS series closer into open-throat steel header sections. Normally, the mounting channel is installed in the header prior to shipment to the job site.
- No. 8521E add-on spindle extension is available for special applications where additional clearance is required between the closer body and the door.
- Cover plates are available for virtually any type header material.
- No. 8820J conversion bracket is available for replacement of existing overhead concealed closers with the RTS88.

**Specifications**

The RTS88 will consist of a steel cam, rollers, and springs housed in a compact cast iron body. Closers will be capable of being installed in minimum 1-3/4"x4" headers. RTS88 will have maximum door opening to 90° or

105°, trim conditions permitting. Sweep and latch speed will be controlled by two noncritical adjustment valves from 90° or 105° to closed. Built-in pressure relief valve will protect the closer from abuse caused by forced closing. A cushion at 90° or 105° will be provided to help protect the door and frame. The RTS88 closer will be available with hold open at 90° or 105°, or without hold open. The RTS BFI and BFE are available with 105° hold open only. Optional extended spindle will be available in 3/16" integral length or 1-3/16" add-on length. Accessories will be available for single and double-acting doors as well as independently hung installations for wood, aluminum, and hollow metal doors and frames.



The RTS88 BFI meets the 5 lb maximum opening force requirement for interior 3'-0" wide center hung single or double-acting doors.

Both the RTS88 BFI and RTS88 BFE are suited for easy retrofit of Jackson, Rixson 608, and similar style closers. The RTS88 BFI and RTS88 BFE are available in 105° NHO and 105° HO only.

**Cover Plate Finishes (Steel or Wood Frame)**

**Standard Sprayed Finishes**

- Aluminum: 689.
- Bronze: 691 (Dull), 690 (Statuary), or 695 (Dark Duranodic).
- Gold: 696.
- Black: 693.

**Optional Plated Finishes**

- Brass: 605 (Bright) or 606 (Satin).
- Bright Bronze: 611 (Bright), 612 (Satin), or 613 (Oxidized Satin Oil Rubbed).
- Nickel: 618 (Bright) or 619 (Satin).
- Chrome: 625 (Bright) or 626 (Satin).

**Cover Plate Finishes (Aluminum Frame)**

**Standard Sprayed Finishes**

- Aluminum: 689.
- Bronze: 695 (Dark Duranodic).
- Black: 693.

**Warranty<sup>1</sup>:** For details, refer to DORMA **Limited Warranty** on our website at [go.dorma.com/terms](http://go.dorma.com/terms).

1. Details of DORMA's Limited Warranty may be found on our website. Expressly excluded is warranty for improper installation or misuse of the product. Overtravel or shock loading of the cushion bumper in the RTS88 closer, at the limit of door travel, constitutes misuse and/or improper installation. Always use an auxiliary stop with RTS88 closer installations.

DORMA USA quality and environmental management systems in Reamstown, PA and Steeleville, IL are certified to ISO 9001:2008 and ISO 14001:2004.



**Intertek**

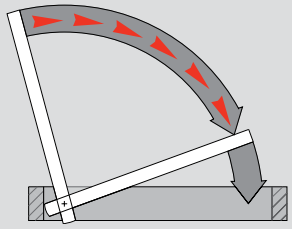


**Intertek**

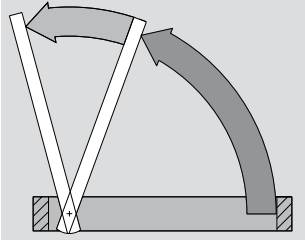
**RTS88 OVERHEAD CONCEALED CLOSER**

**Technical Details**

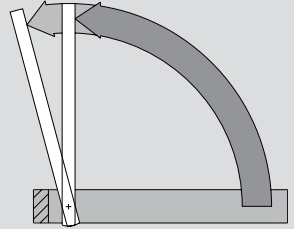
**Dual Speed Closing**—Sweep and latch closing speeds are controlled by two non-critical adjustment valves. Sweep area is from 105° to 20°. Latch area is from 20° to 0°.



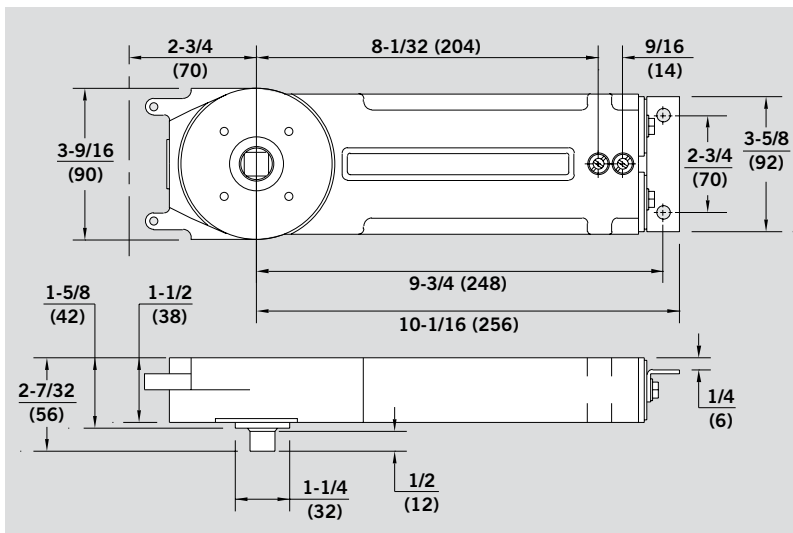
**Backcheck**—A mechanical backcheck slows the door prior to contact with the cushion.



**Cushion**—An integral cushion is available at 90° or 105°. Always use an auxiliary stop in conjunction with RTS88 installations.



**RTS88 Closer Dimensions**



**Comparison Chart RTS88 Series**

DORMA	RTS88 Side Load	RTS88 End Load	RTS88 Offset Slide Arm
Jackson	101-BE, 101-BF 101-GE, 101-PV 101-U, 101-V 101-S	101-AP, 101-AE 101-PE, 101-P 101-PA, 101-T	201-A4 201-P
Rixson	608SL	608EL 700 800	0608 0700
LCN	6030CP	6030CP	2030
Dor-O-Matic	12000, 22000 13000, 23000 14000, 24000	12000 13000 14000	22500 23500 24500

Since no products are exactly alike, the data on this chart represents our judgment of which products are most similar. Information has been obtained from trade sources. It is not guaranteed nor represented that any specific product exactly equals any other product.

**Size Selector Chart RTS88 Series**

**Maximum Door Width**

Interior	Exterior	Closer Size
to 3'-0"	to 2'-6"	2*
over 3'-0" to 3'-6"	over 2'-6" to 3'-0"	3
over 3'-6" to 4'-0"	over 3'-0" to 3'-6"	4

\* Size (2) is available for 90° cushion or cushion/hold open only. For 105° applications, substitute the RTS88 BFE for the door ranges shown.

**NOTE:**

The listed door widths and recommended sizes are for average conditions. In the case of tall or heavy doors or where doors are subject to wind or draft conditions, the larger closer should be selected and used in conjunction with an auxiliary stop.

**Size Selector Chart RTS88 BFI/BFE**

**Door Width**

Interior	Exterior	Lightest Opening Force
3'-0" ♿	—	RTS88 BFI*
—	3'-0"	RTS88 BFE*

♿ The RTS88 BFI meets 5 lb interior maximum opening force on 3'-0" wide center hung doors. The RTS88 BFE has the lightest exterior maximum opening force (8.5 lb) on 3'-0" wide center hung doors.

\* Available for 105° cushion only or cushion/hold open only.

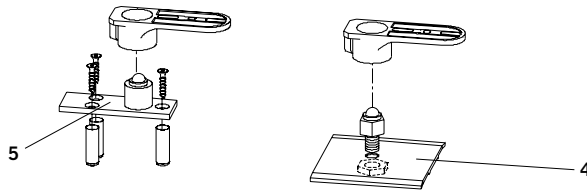
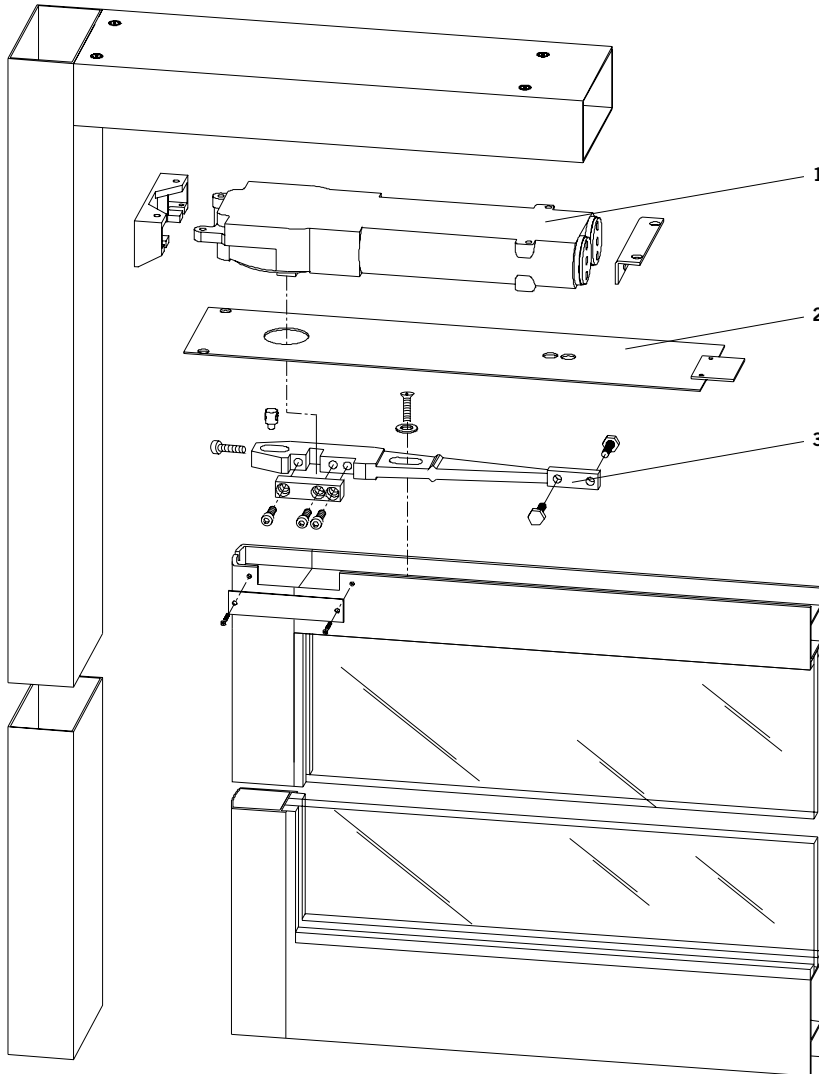
**REDUCED OPENING FORCE INSTALLATIONS CAUTION:**

Manual door closers, including closers certified to meet ANSI/BHMA A156.4, when installed and adjusted to conform to ADA or other reduced opening force requirements, may not provide sufficient power to reliably close and latch a door.

Refer to catalog for Low Energy Operator to meet reduced opening force requirements without affecting closing power.

# SIDE LOAD—DOUBLE OR SINGLE-ACTING

## Aluminum Door & Frame



### Package RTS01/RTS02

Side load doors are installed by placing the door on the bottom pivot with the door in the closed position. The top of the door has a notch on the interior side which allows access to the clamping block.

### Components: RTS01

1. RTS Series closer
2. No. 8563 cover plate (optional)
3. No. 8831 top arm
4. No. 8572 threshold pivot

### Components: RTS02

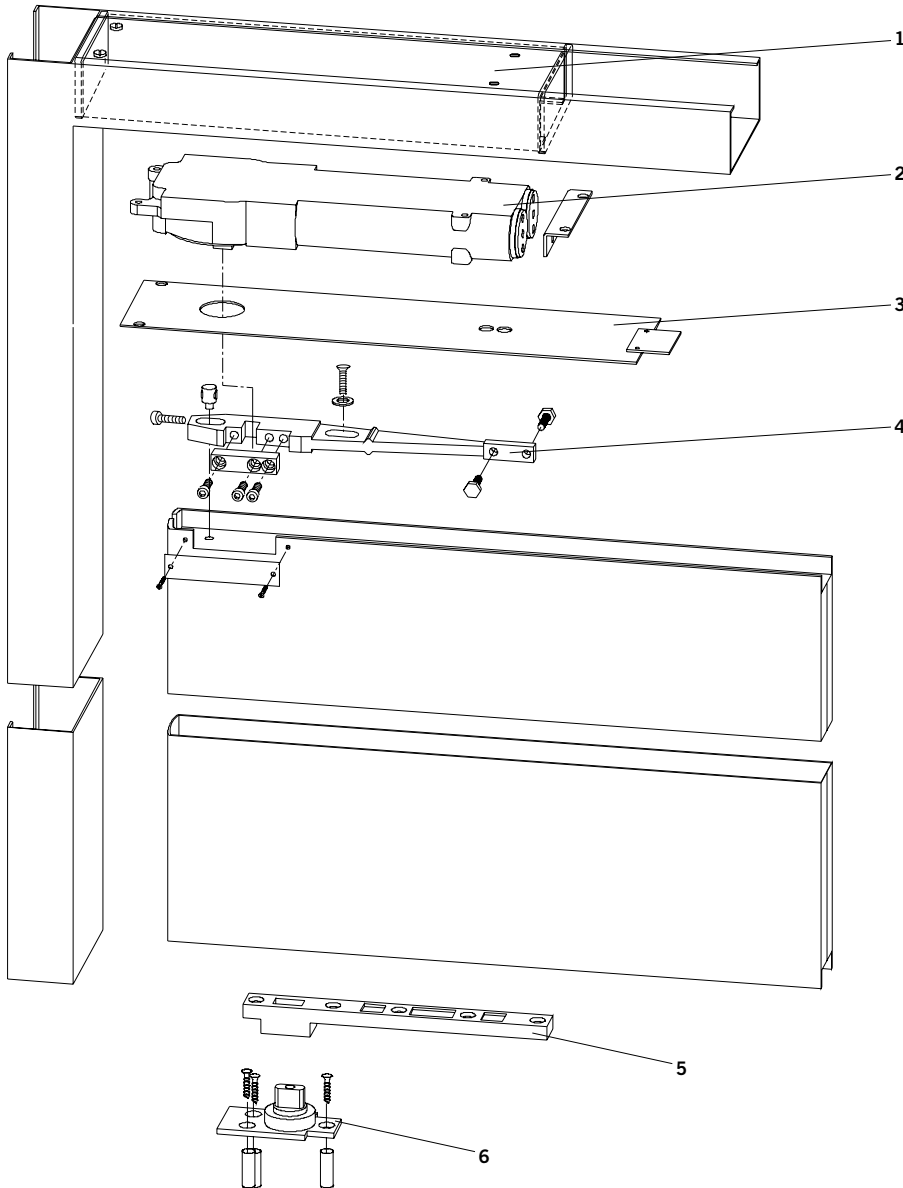
1. RTS Series closer
2. No. 8563 cover plate (optional)
3. No. 8831 top arm
5. No. 8570 floor pivot

### Note:

Always use an auxiliary stop in conjunction with RTS88 installations.

# SIDE LOAD—DOUBLE OR SINGLE-ACTING

Steel Door & Frame



**Package RTS03**

Package RTS03 contains all of the components required to install an RTS closer in a steel header.

**Components: RTS03**

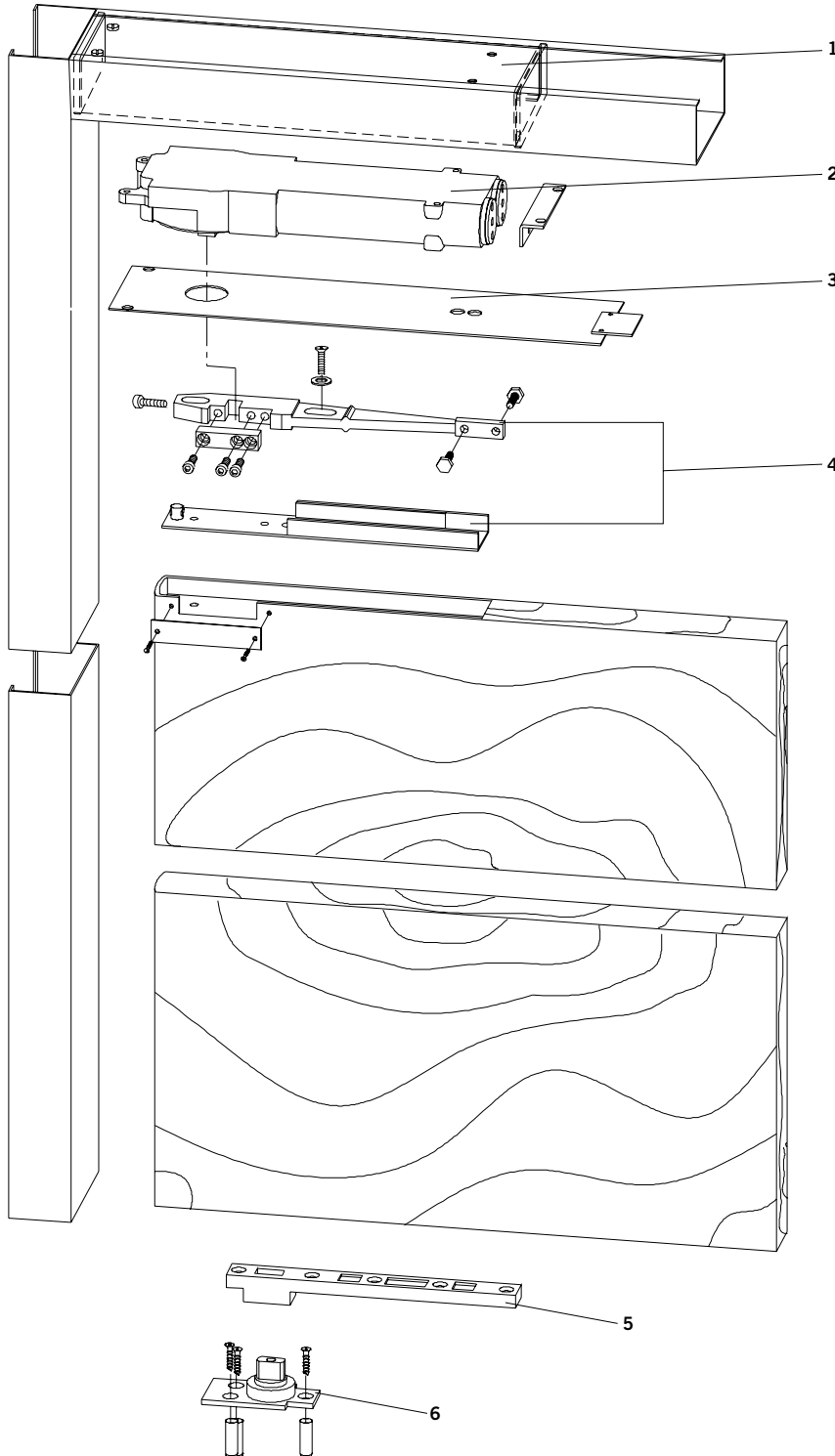
- 1. No. 8532 closer mounting channel
- 2. RTS Series closer
- 3. No. 8575 cover plate
- 4. No. 8831 top arm
- 5. No. 7421 bottom arm
- 6. No. 7471K floor bearing

**Note:**

Always use an auxiliary stop in conjunction with RTS88 installations.

# SIDE LOAD—DOUBLE OR SINGLE-ACTING

Wood Door & Steel Frame



**Package RTS04**

Package RTS04 contains the No. 8832 side load arm with channel which was designed specifically for wood door installations.

**Components: RTS04**

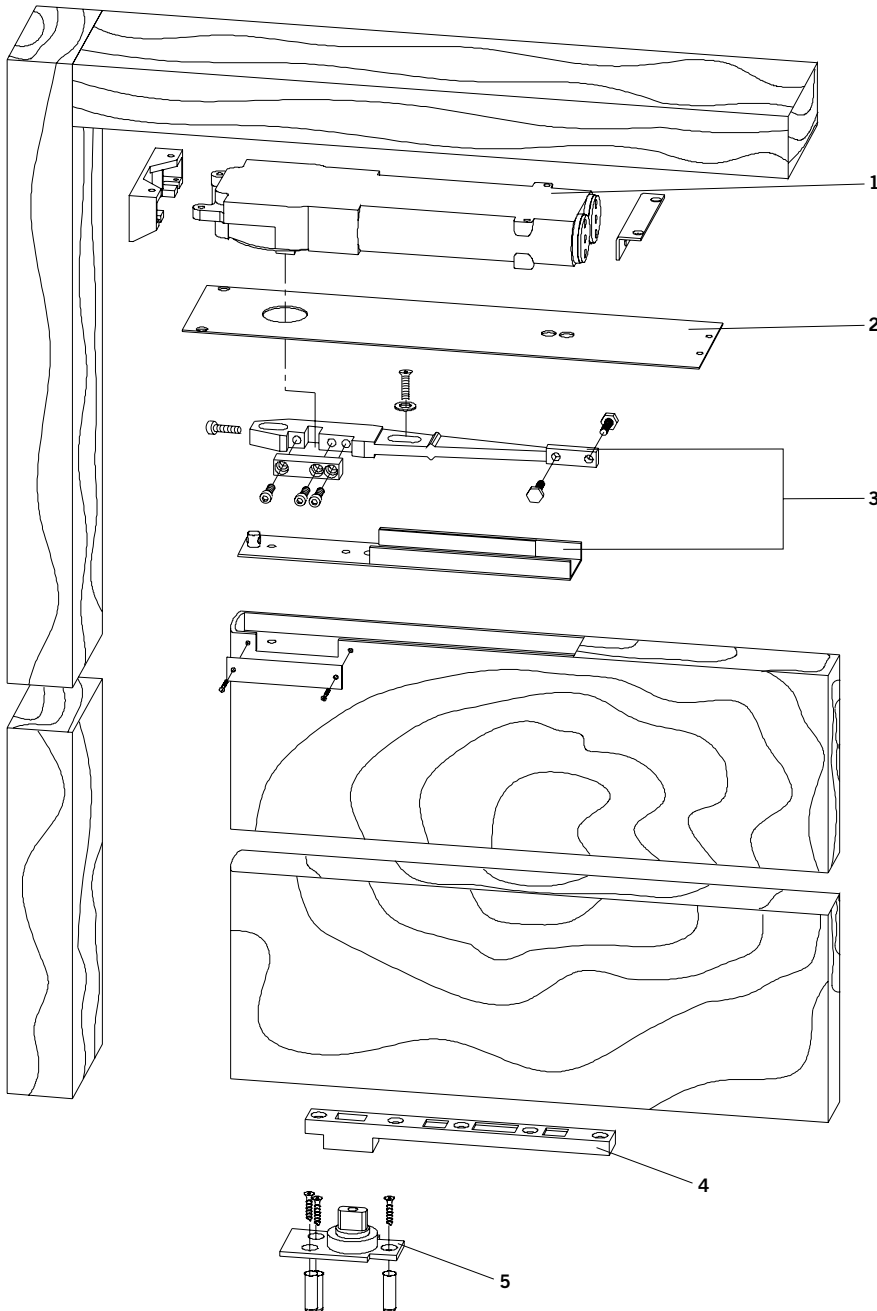
- 1. 8532 closer mounting channel
- 2. RTS Series closer
- 3. No. 8575 cover plate
- 4. No. 8832 top arm with channel
- 5. No. 7421 bottom arm
- 6. No. 7471K floor bearing

**Note:**

Always use an auxiliary stop in conjunction with RTS88 installations.

# SIDE LOAD—DOUBLE OR SINGLE-ACTING

Wood Door & Frame



**Package RTS05**

Package RTS05 contains special brackets and screws for installing the RTS closer in wood headers.

**Components: RTS05**

- 1. RTS Series closer
- 2. No. 8561 cover plate
- 3. No. 8832 top arm with channel
- 4. No. 7421 bottom arm
- 5. No. 7471K floor bearing

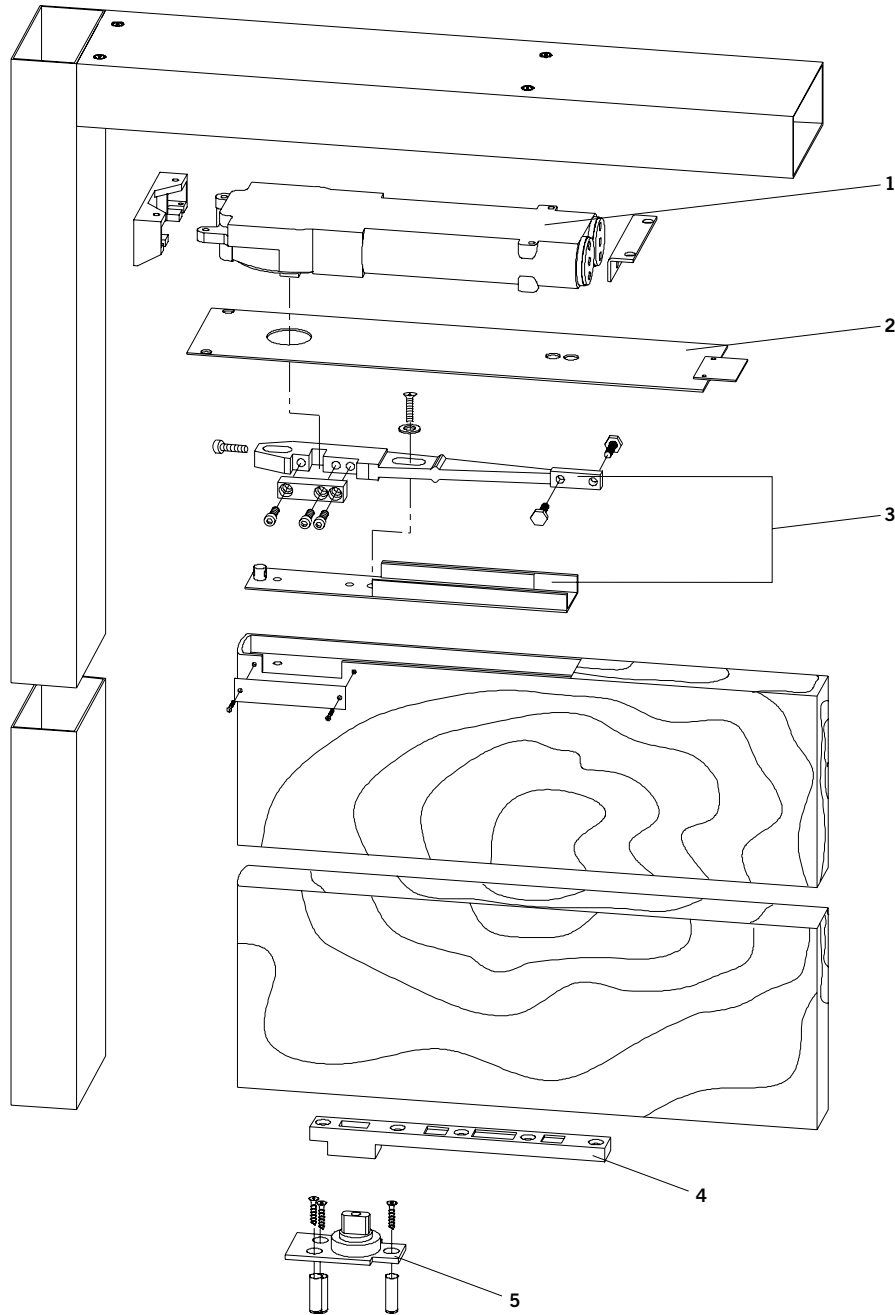
**Note:**

Always use an auxiliary stop in conjunction with RTS88 installations.



# SIDE LOAD—DOUBLE OR SINGLE-ACTING

Wood Door & Aluminum Frame



**Package RTS06**

Package RTS06 contains the No. 8832 side load arm with channel which was designed specifically for wood door installations.

**Components: RTS06**

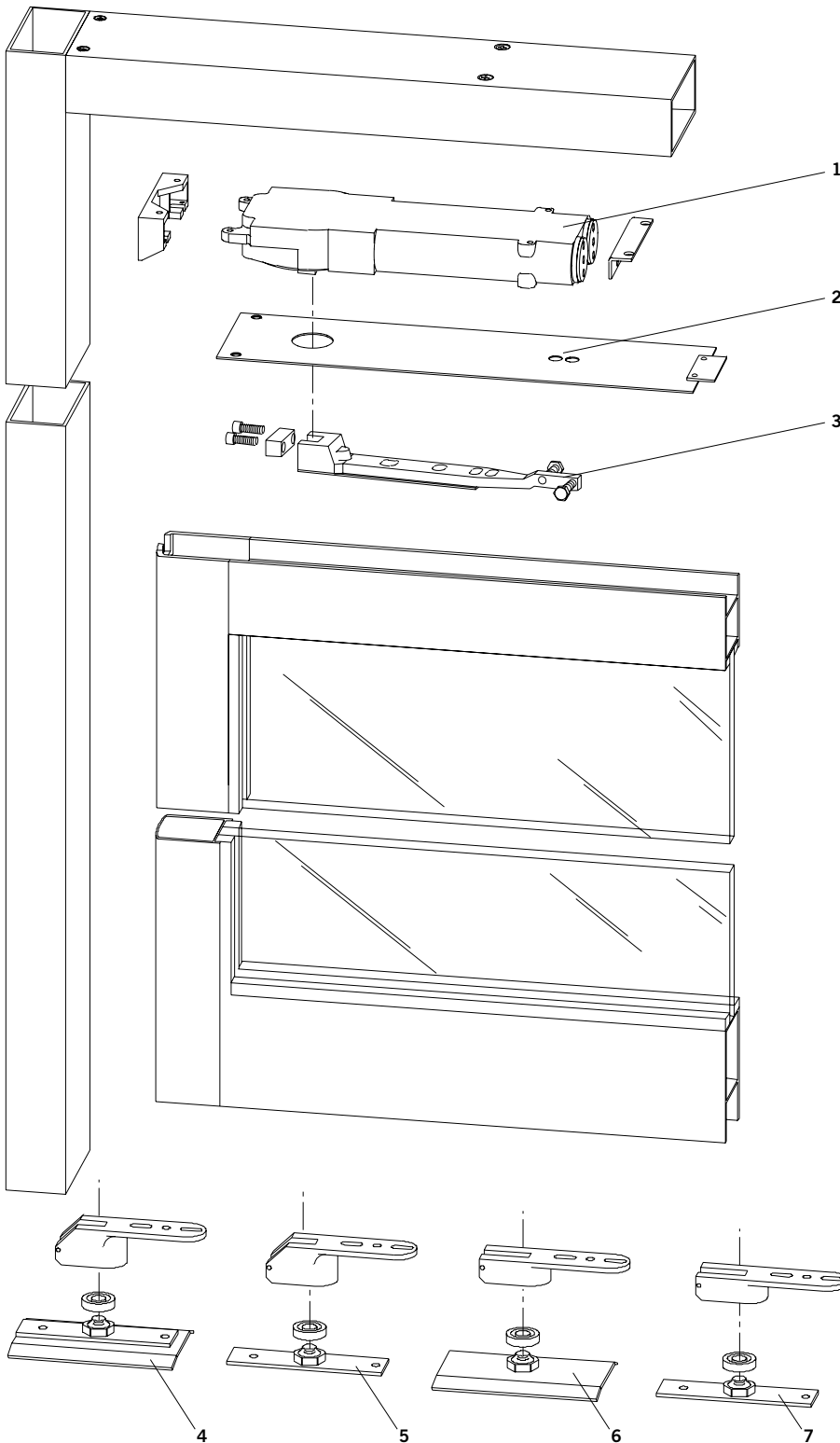
- 1. RTS Series closer
- 2. No. 8563 cover plate (optional)
- 3. 8832 top arm with channel
- 4. No. 7421 bottom arm
- 5. No. 7471K floor bearing

**Note:**

Always use an auxiliary stop in conjunction with RTS88 installations.

# END LOAD—DOUBLE OR SINGLE-ACTING

Aluminum Door & Frame—1" Top Rail



**Package RTS07–RTS10**

Packages RTS07 through RTS10 are designed for top door rails with 1" deep channels. The door is installed by rotating the closer spindle 90°, then sliding the door into place, perpendicular to the frame.

**Components: RTS07**

- 1. RTS Series closer
- 2. No. 8563 cover plate (optional)
- 3. No. 8835 top arm
- 4. No. 8857 tall threshold pivot

**Components: RTS08**

- 1. RTS Series closer
- 2. No. 8563 cover plate (optional)
- 3. No. 8835 top arm
- 5. No. 8853 tall floor pivot

**Components: RTS09**

- 1. RTS Series closer
- 2. No. 8563 cover plate (optional)
- 3. No. 8835 top arm
- 6. No. 8855 short threshold pivot

**Components: RTS10**

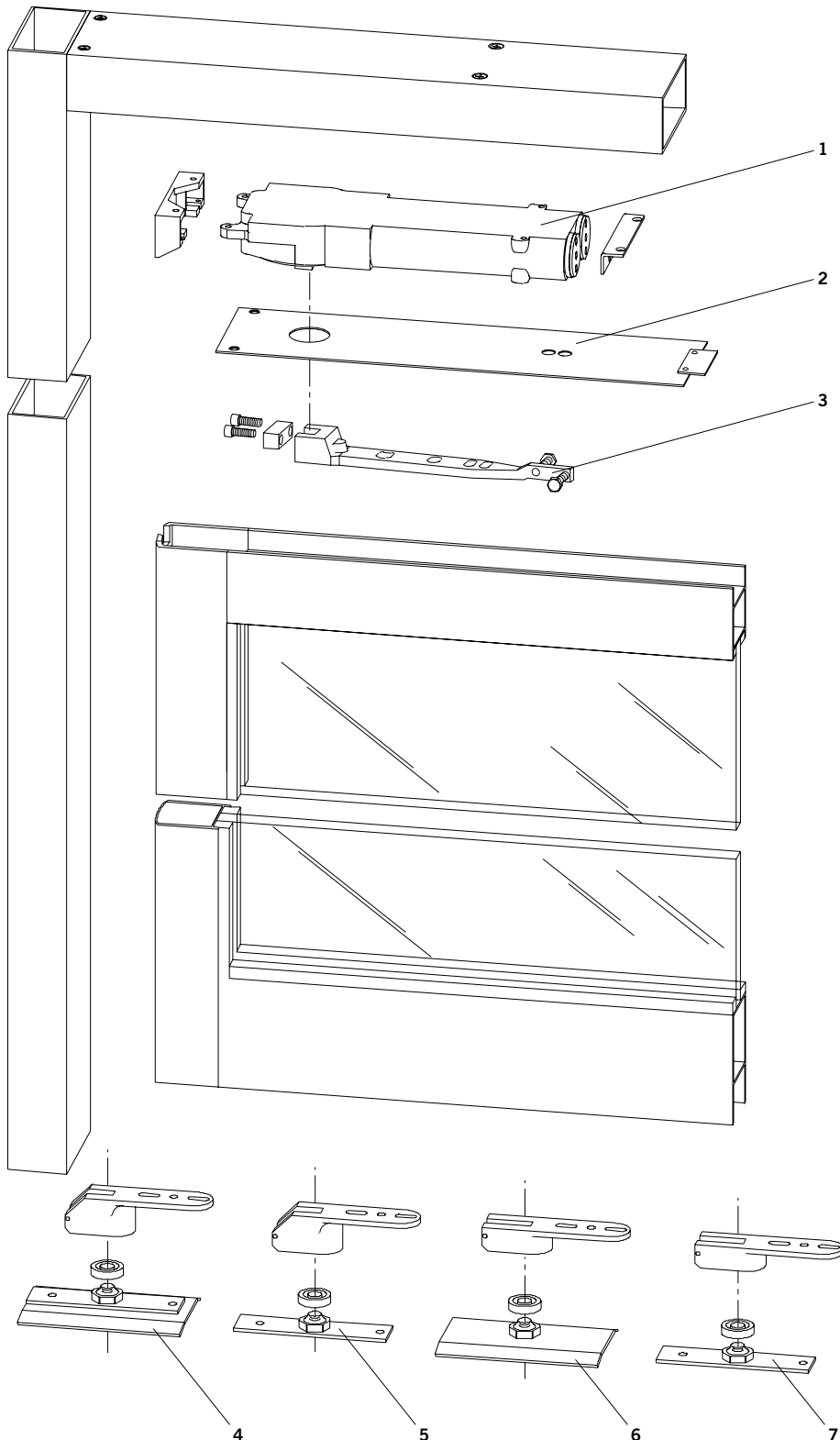
- 1. RTS Series closer
- 2. No. 8563 cover plate (optional)
- 3. No. 8835 top arm
- 7. No. 8852 short floor pivot

**Note:**

Always use an auxiliary stop in conjunction with RTS88 installations.

# END LOAD—DOUBLE OR SINGLE-ACTING

Aluminum Door & Frame—7/8" Top Rail



**Package RTS11–RTS14**

Packages RTS11 through RTS14 are designed for top door rails with 7/8" deep channels. The door is installed by rotating the closer spindle 90°, then sliding the door into place, perpendicular to the frame.

**Components: RTS11**

- 1. RTS Series closer
- 2. No. 8563 cover plate (optional)
- 3. No. 8836 top arm
- 4. No. 8857 tall threshold pivot

**Components: RTS12**

- 1. RTS Series closer
- 2. No. 8563 cover plate (optional)
- 3. No. 8836 top arm
- 5. No. 8853 tall floor pivot

**Components: RTS13**

- 1. RTS Series closer
- 2. No. 8563 cover plate (optional)
- 3. No. 8836 top arm
- 6. No. 8855 short threshold pivot

**Components: RTS14**

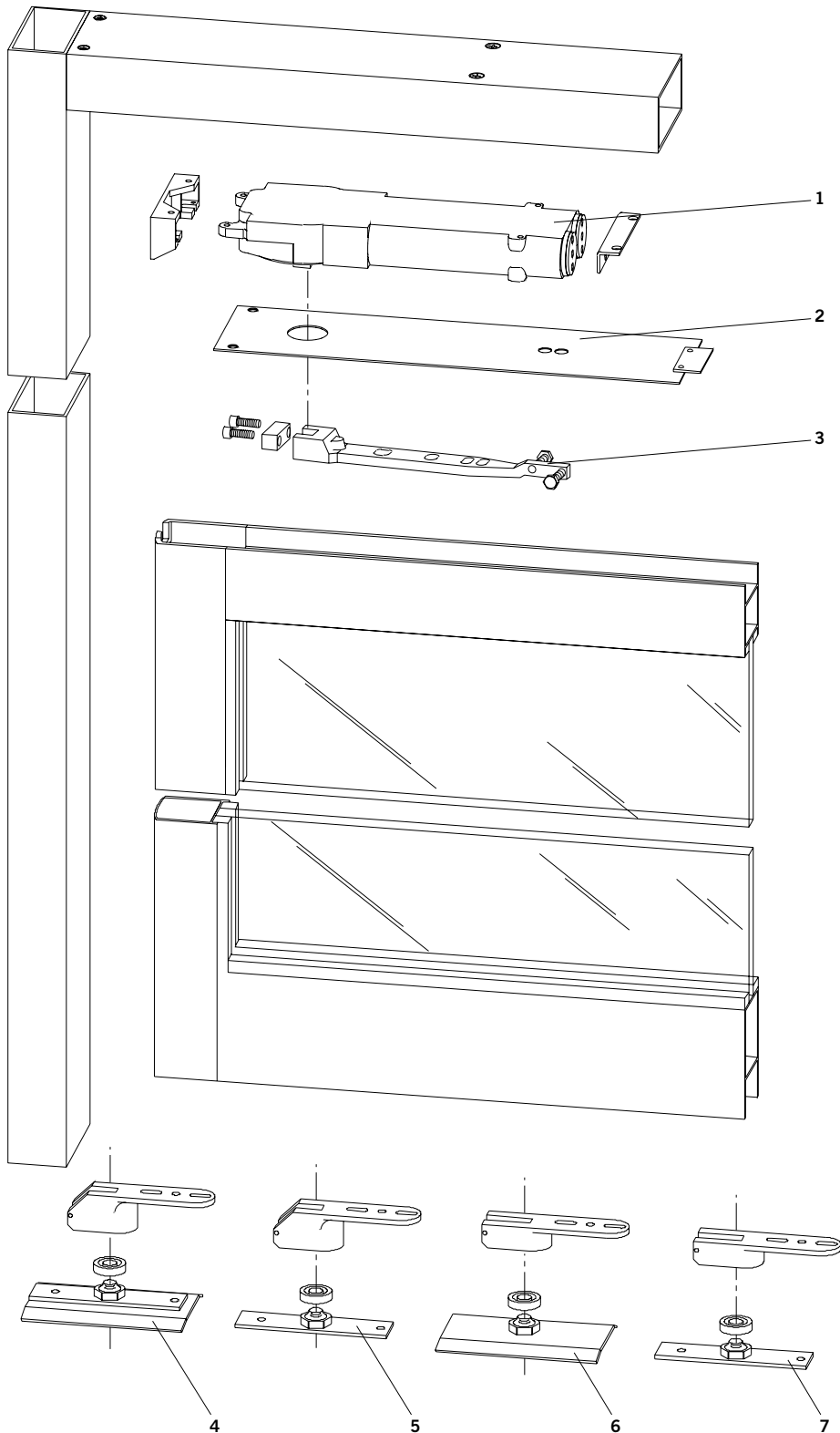
- 1. RTS Series closer
- 2. No. 8563 cover plate (optional)
- 3. No. 8836 top arm
- 7. No. 8852 short floor pivot

**Note:**

Always use an auxiliary stop in conjunction with RTS88 installations.

# END LOAD—DOUBLE OR SINGLE-ACTING

Aluminum Door & Frame—3/4" Top Rail



**Package RTS15–RTS18**

Packages RTS15 through RTS18 are designed for top door rails with 3/4" deep channels. The door is installed by rotating the closer spindle 90°, then sliding the door into place, perpendicular to the frame.

**Components: RTS15**

- 1. RTS Series closer
- 2. No. 8563 cover plate (optional)
- 3. No. 8838 top arm
- 4. No. 8857 tall threshold pivot

**Components: RTS16**

- 1. RTS Series closer
- 2. No. 8563 cover plate (optional)
- 3. No. 8838 top arm
- 5. No. 8853 tall floor pivot

**Components: RTS17**

- 1. RTS Series closer
- 2. No. 8563 cover plate (optional)
- 3. No. 8838 top arm
- 6. No. 8855 short threshold pivot

**Components: RTS18**

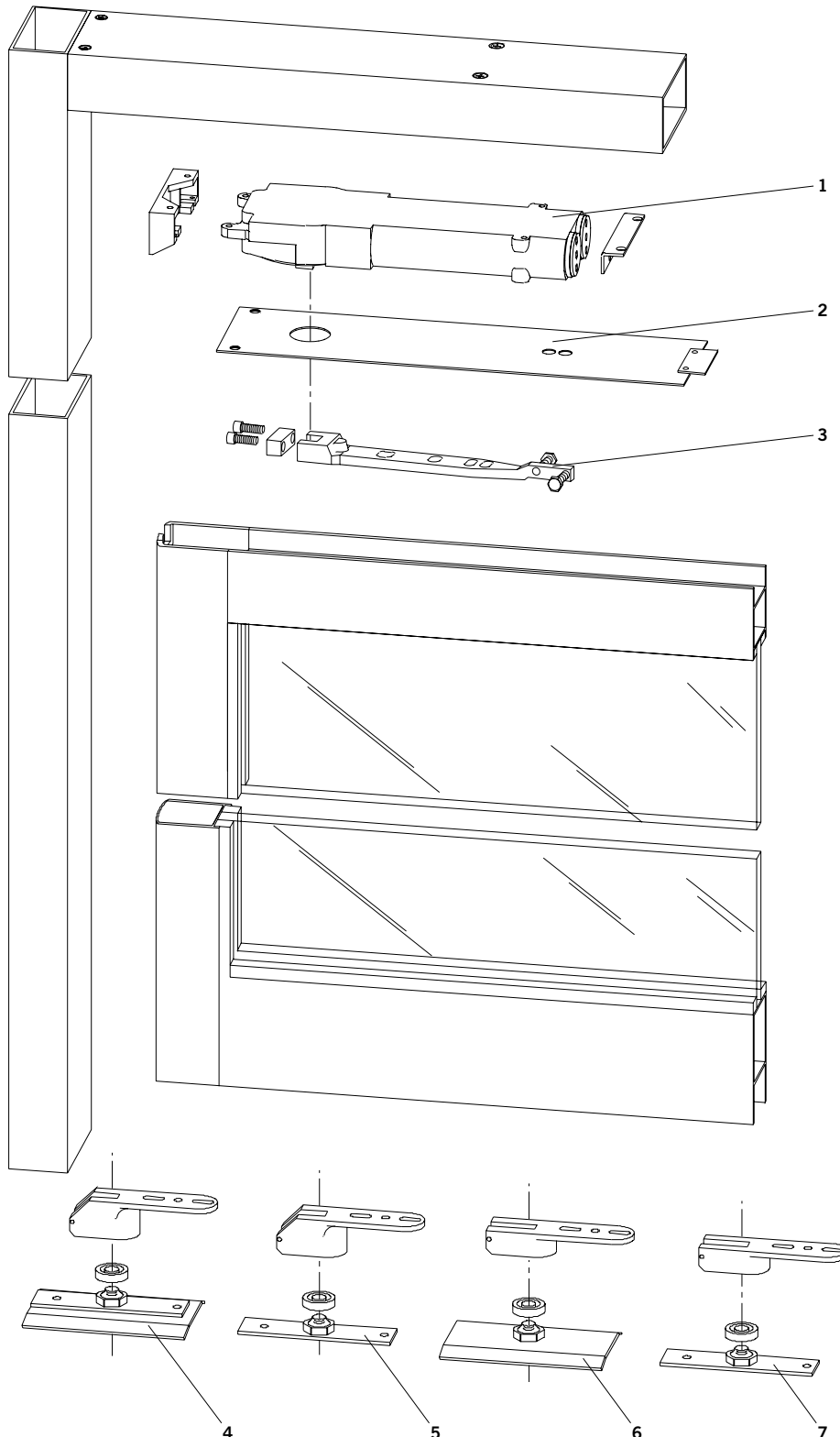
- 1. RTS Series closer
- 2. No. 8563 cover plate (optional)
- 3. No. 8838 top arm
- 7. No. 8852 short floor pivot

**Note:**

Always use an auxiliary stop in conjunction with RTS88 installations.

# END LOAD—DOUBLE OR SINGLE-ACTING

Aluminum Door & Frame—5/8" Top Rail



**Package RTS19–RTS22**

Packages RTS19 through RTS22 are designed for top door rails with 5/8" deep channels. The door is installed by rotating the closer spindle 90°, then sliding the door into place, perpendicular to the frame.

**Components: RTS19**

- 1. RTS Series closer
- 2. No. 8563 cover plate (optional)
- 3. No. 8837 top arm
- 4. No. 8857 tall threshold pivot

**Components: RTS20**

- 1. RTS Series closer
- 2. No. 8563 cover plate (optional)
- 3. No. 8837 top arm
- 5. No. 8853 tall floor pivot

**Components: RTS21**

- 1. RTS Series closer
- 2. No. 8563 cover plate (optional)
- 3. No. 8837 top arm
- 6. No. 8855 short threshold pivot

**Components: RTS22**

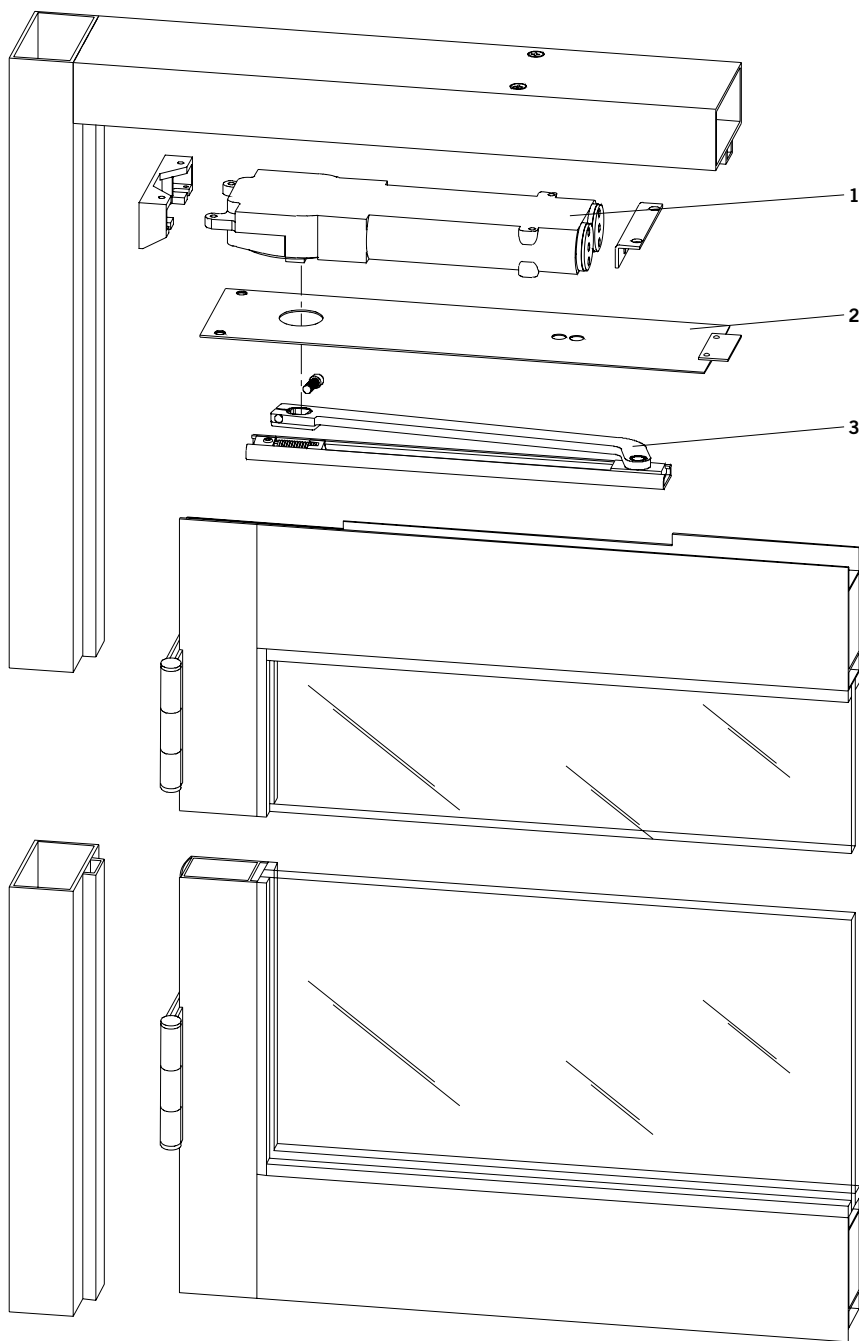
- 1. RTS Series closer
- 2. No. 8563 cover plate (optional)
- 3. No. 8837 top arm
- 7. No. 8852 short floor pivot

**Note:**

Always use an auxiliary stop in conjunction with RTS88 installations.

# OFFSET SLIDE ARM—SINGLE-ACTING

Aluminum Door & Frame—Hinges



**Package RTS25**

Package RTS25 is templated specifically for aluminum doors hung on 4-1/2" wide hinges.

**Components: RTS25**

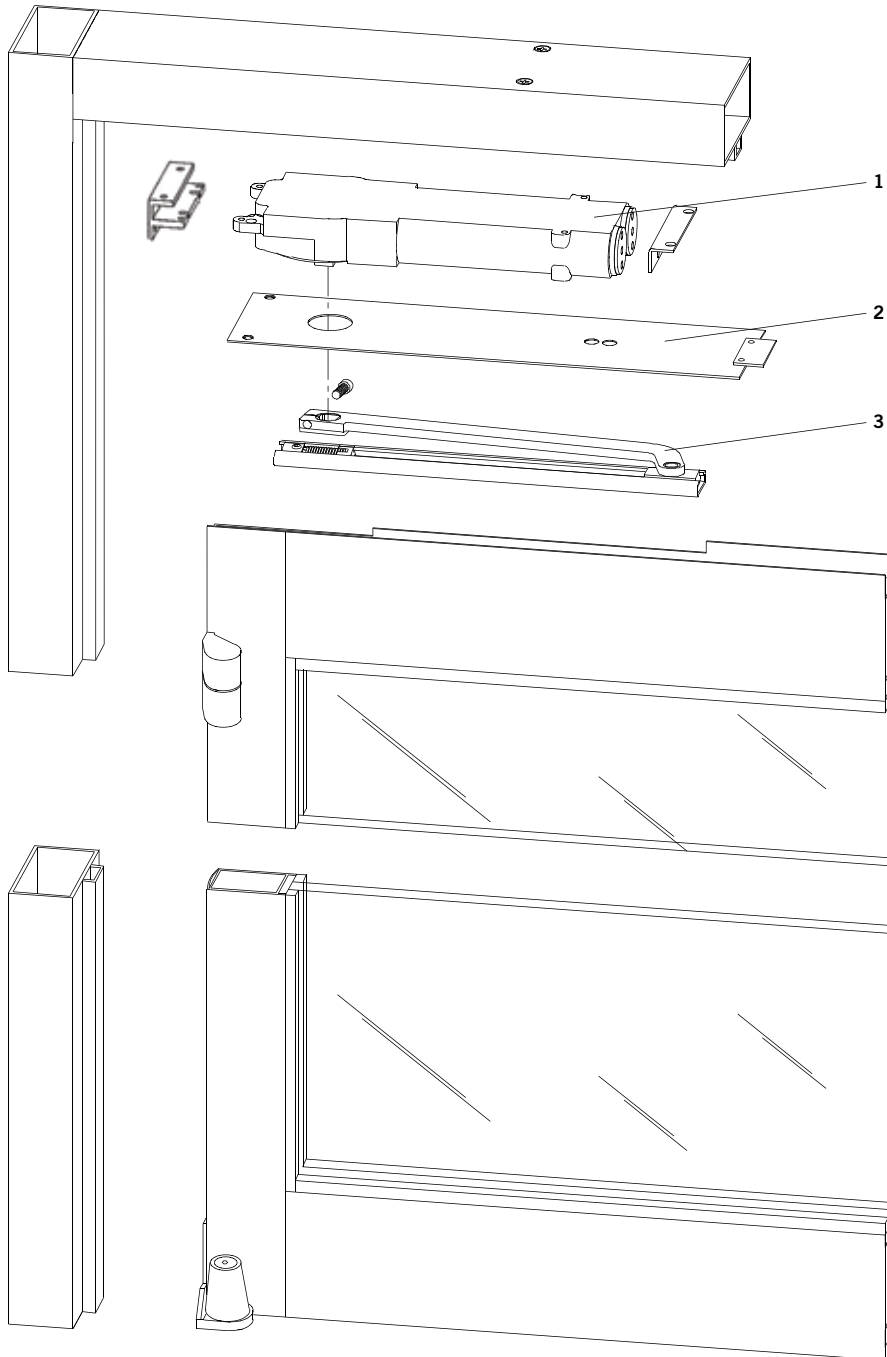
- 1. RTS Series closer
- 2. No. 8563 cover plate (optional)
- 3. No. 8812 slide arm

**Note:**

Always use an auxiliary stop in conjunction with RTS88 installations.

# OFFSET SLIDE ARM—SINGLE-ACTING

Aluminum Door & Frame—Aluminum Store Front Pivots



**Package RTS26**

Package RTS26 contains 08079050 bracket required for proper templating when doors are hung on aluminum store front pivots.

**Components: RTS26**

- 1. RTS Series closer
- 2. No. 8563 cover plate (optional)
- 3. No. 8812 slide arm

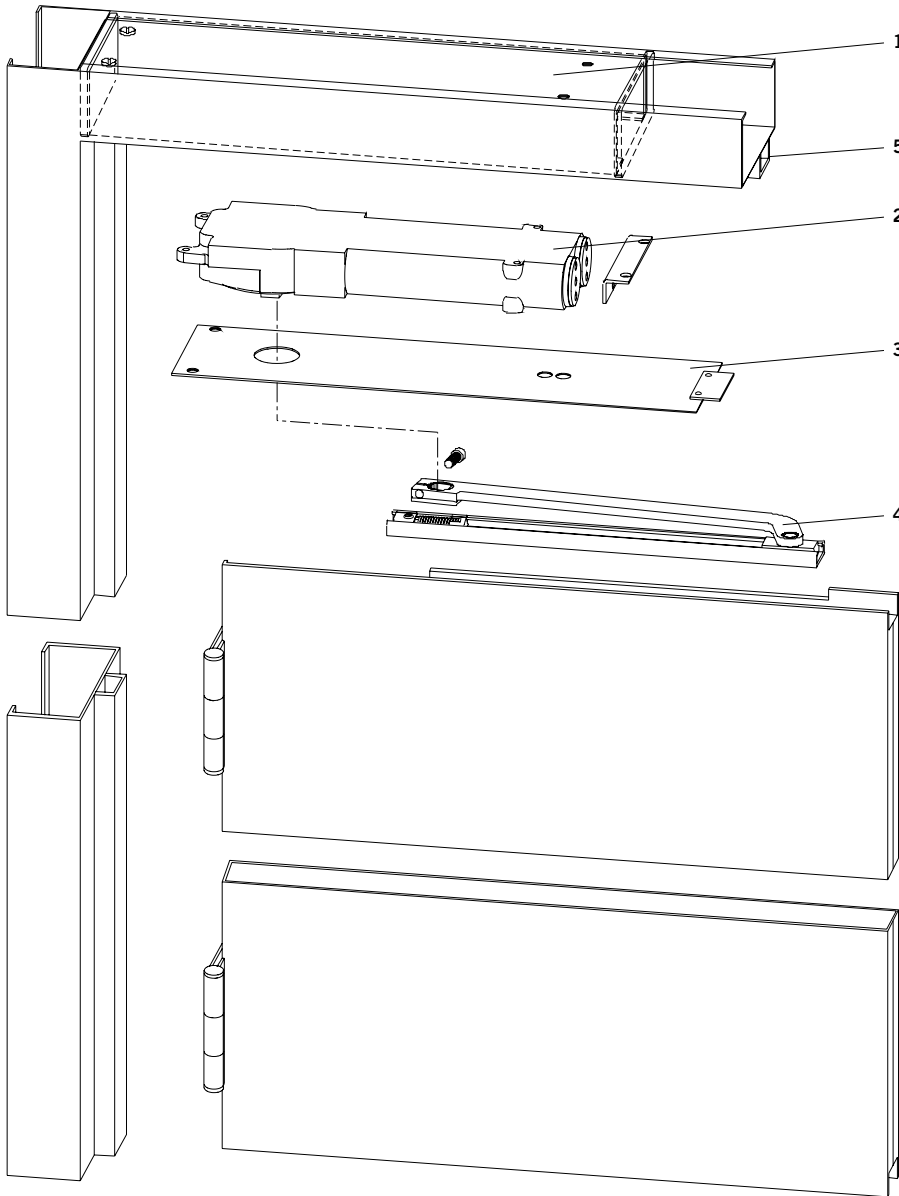
Pivots shown are typical aluminum store front pivots.

**Note:**

Always use an auxiliary stop in conjunction with RTS88 installations.

# OFFSET SLIDE ARM—SINGLE-ACTING

Steel Door & Frame—Hinges/Pivots



**Package RTS27**

Package RTS27 contains the components necessary for installing the RTS Series closer in a steel header. Templating is provided for both 4-1/2" wide butt hinges and 3/4" offset pivots.

**Components: RTS27**

- 1. No. 8532 closer mounting channel
- 2. RTS Series closer
- 3. No. 8575 cover plate
- 4. No. 8812 slide arm
- 5. No. 8511 offset slide arm cover (optional)

When using DORMA pivots or pivots by others, use an intermediate pivot at the top of the door in place of a full mortise top pivot. A full mortise top pivot occupies the same space in the frame as the RTS88 closer. See DORMA LM Series pivots.

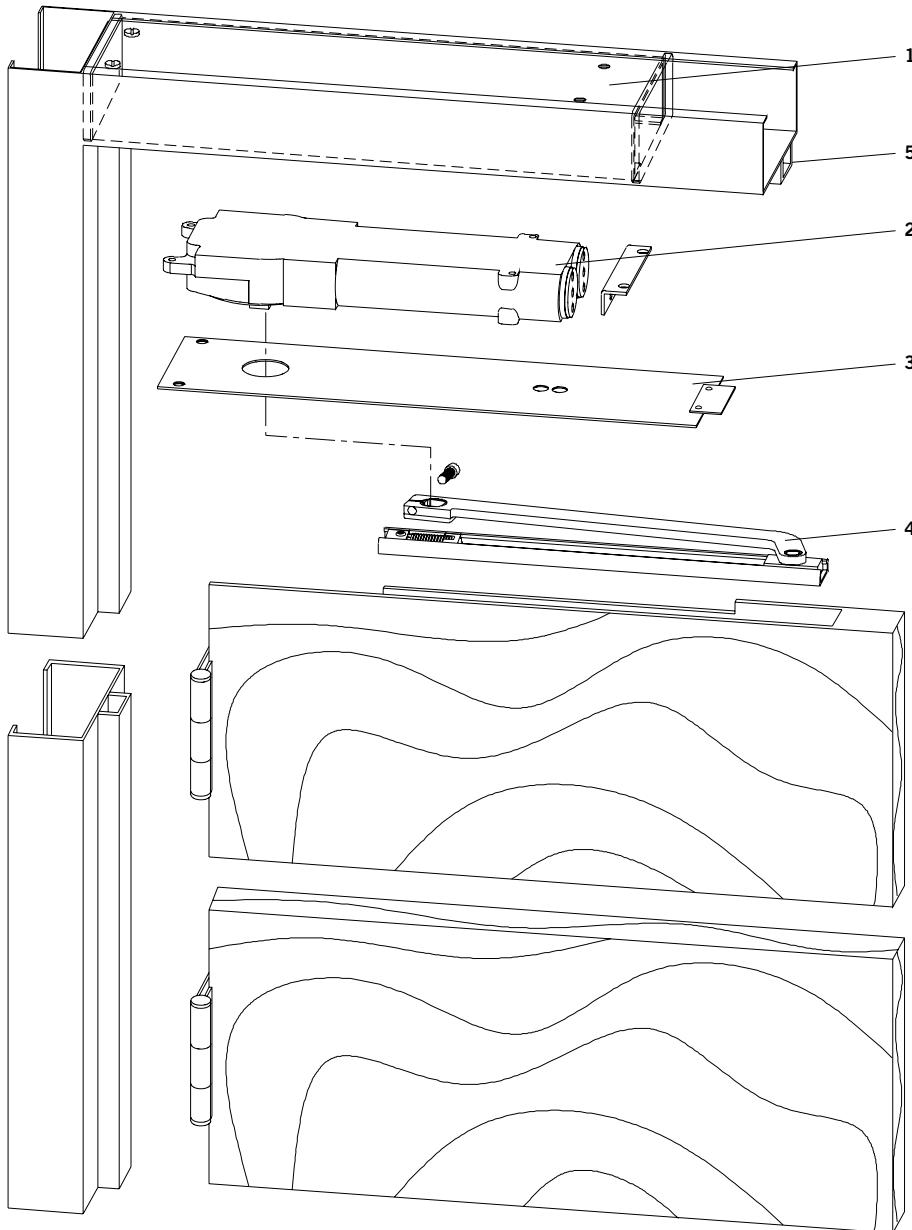
**Note:**

**Always use an auxiliary stop in conjunction with RTS88 installations.**



# OFFSET SLIDE ARM—SINGLE-ACTING

Wood Door & Steel Frame—Hinges/Pivots



## Package RTS28

Package RTS28 contains the components necessary for installing the RTS Series closer in a steel header. Templating is provided for both 4-1/2" wide butt hinges and 3/4" offset pivots.

## Components: RTS28

1. No. 8532 closer mounting channel
2. RTS Series closer
3. No. 8575 cover plate
4. No. 8812 slide arm
5. No. 8511 offset slide arm cover (optional)

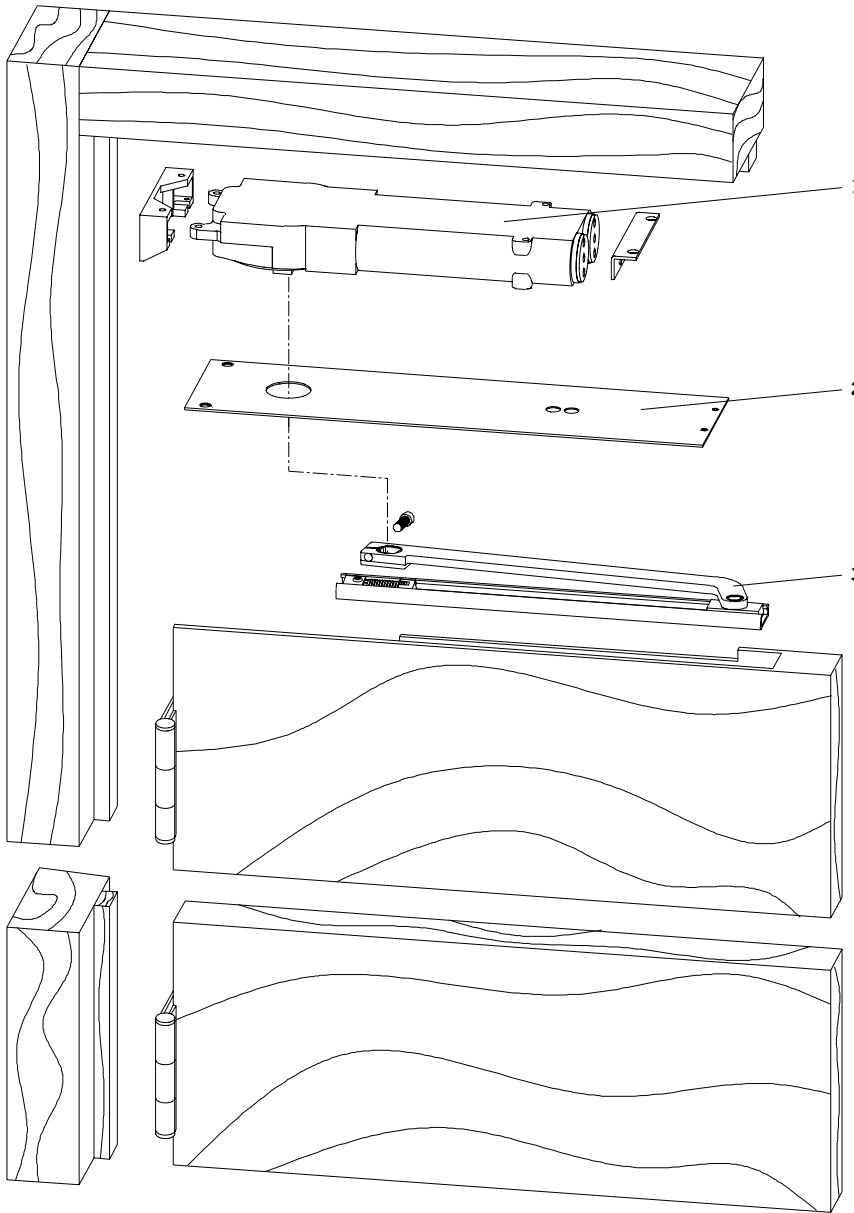
When using DORMA pivots or pivots by others, use an intermediate pivot at the top of the door in place of a full mortise top pivot. A full mortise top pivot occupies the same space in the frame as the RTS88 closer. See DORMA LM Series pivots.

## Note:

**Always use an auxiliary stop in conjunction with RTS88 installations.**

## OFFSET SLIDE ARM—SINGLE-ACTING

Wood Door & Frame—Hinges/Pivots



### Package RTS29

Package RTS29 contains special brackets and screws for installing the RTS Series closer in wood headers. Templating is provided for both 4-1/2" wide butt hinges and 3/4" offset pivots.

### Components: RTS29

1. RTS Series closer
2. No. 8561 cover plate
3. No. 8812 slide arm

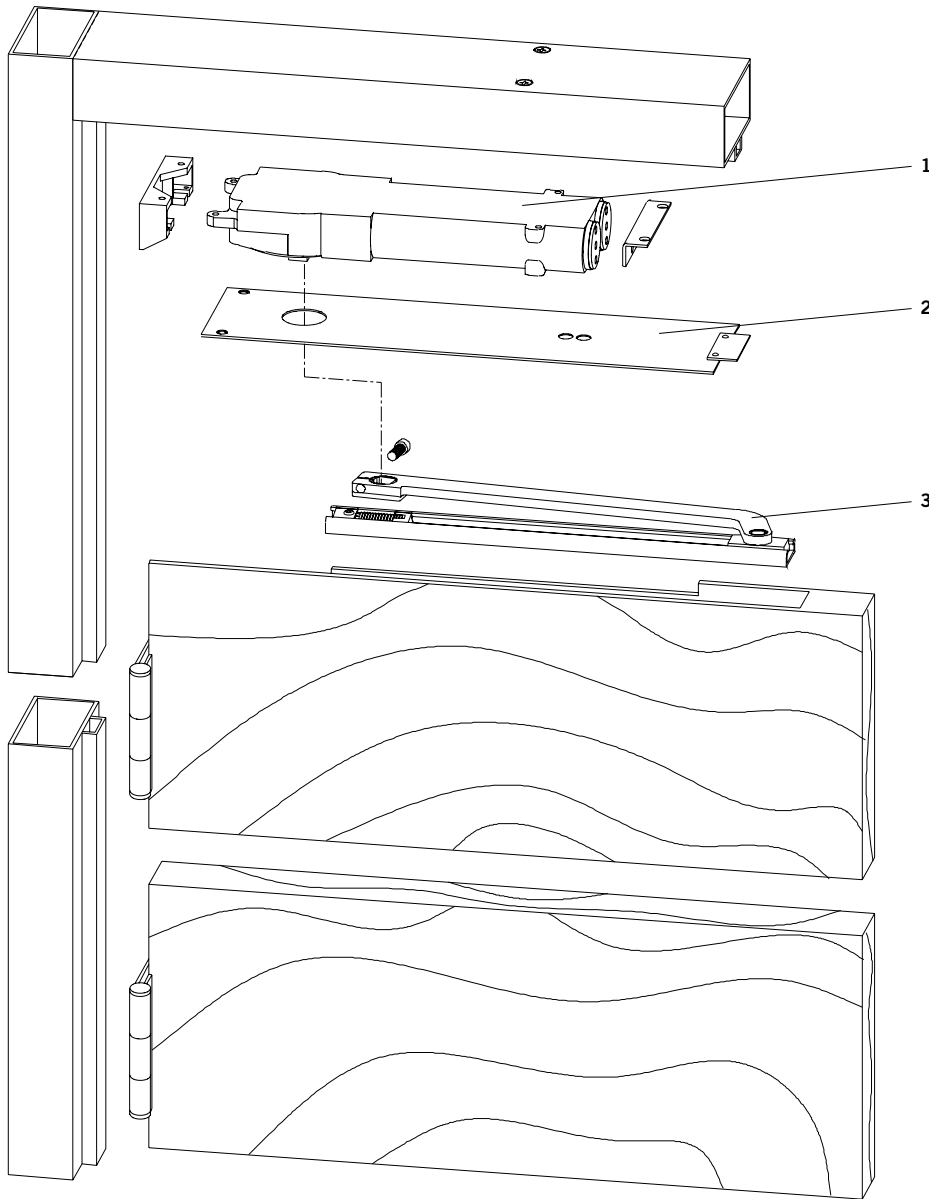
When using DORMA pivots or pivots by others, use an intermediate pivot at the top of the door in place of a full mortise top pivot. A full mortise top pivot occupies the same space in the frame as the RTS88 closer. See DORMA LM Series pivots.

### Note:

Always use an auxiliary stop in conjunction with RTS88 installations.

# OFFSET SLIDE ARM—SINGLE-ACTING

Wood Door & Aluminum Frame—Hinges



**Package RTS30**

Package RTS30 is templated specifically for doors hung on 4-1/2" wide hinges.

**Components: RTS30**

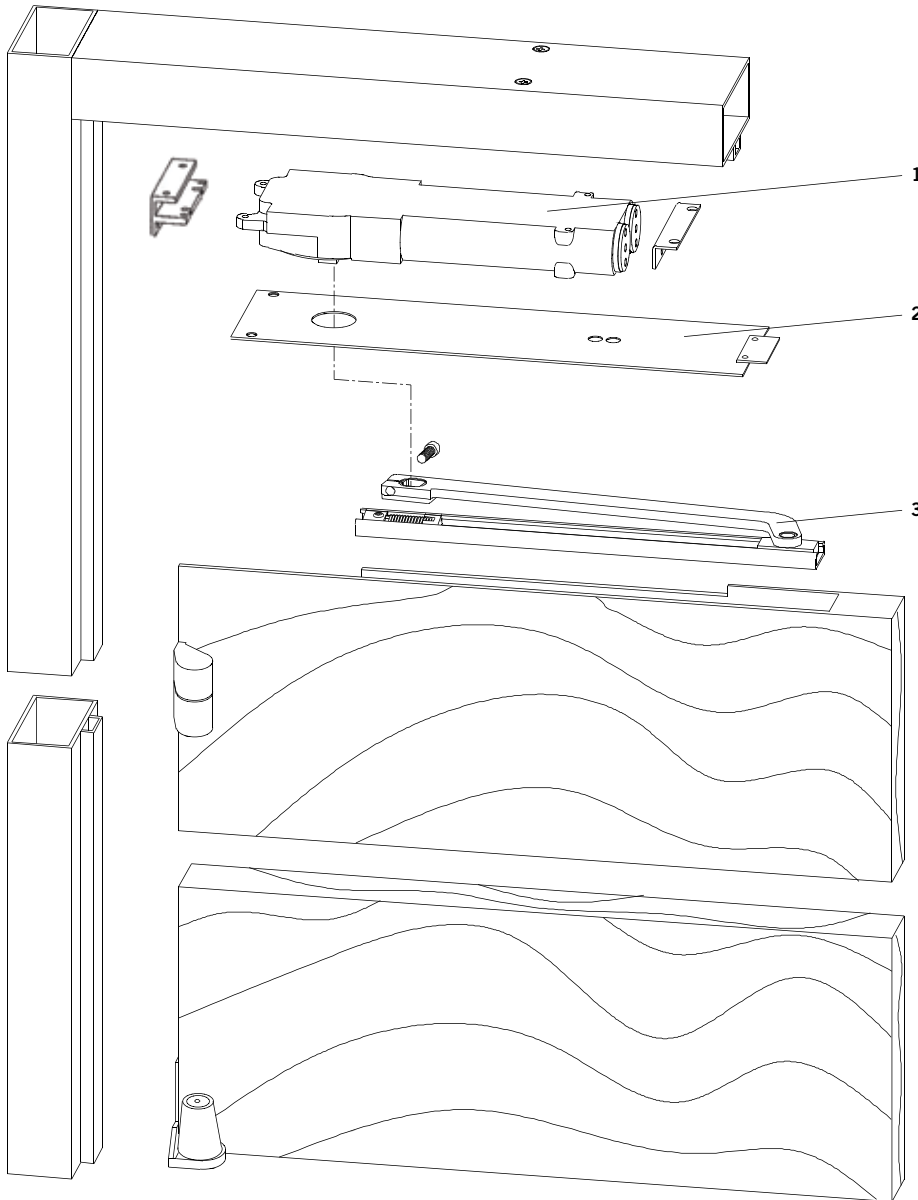
- 1. RTS Series closer
- 2. No. 8563 cover plate (optional)
- 3. No. 8812 slide arm

**Note:**

Always use an auxiliary stop in conjunction with RTS88 installations.

# OFFSET SLIDE ARM—SINGLE-ACTING

Wood Door & Aluminum Frame—Pivots



### Package RTS31

Package RTS31 contains 08079050 bracket required for proper templating when doors are hung on 3/4" offset pivots.

### Components: RTS31

- 1. RTS Series closer
- 2. No. 8563 cover plate (optional)
- 3. No. 8812 slide arm

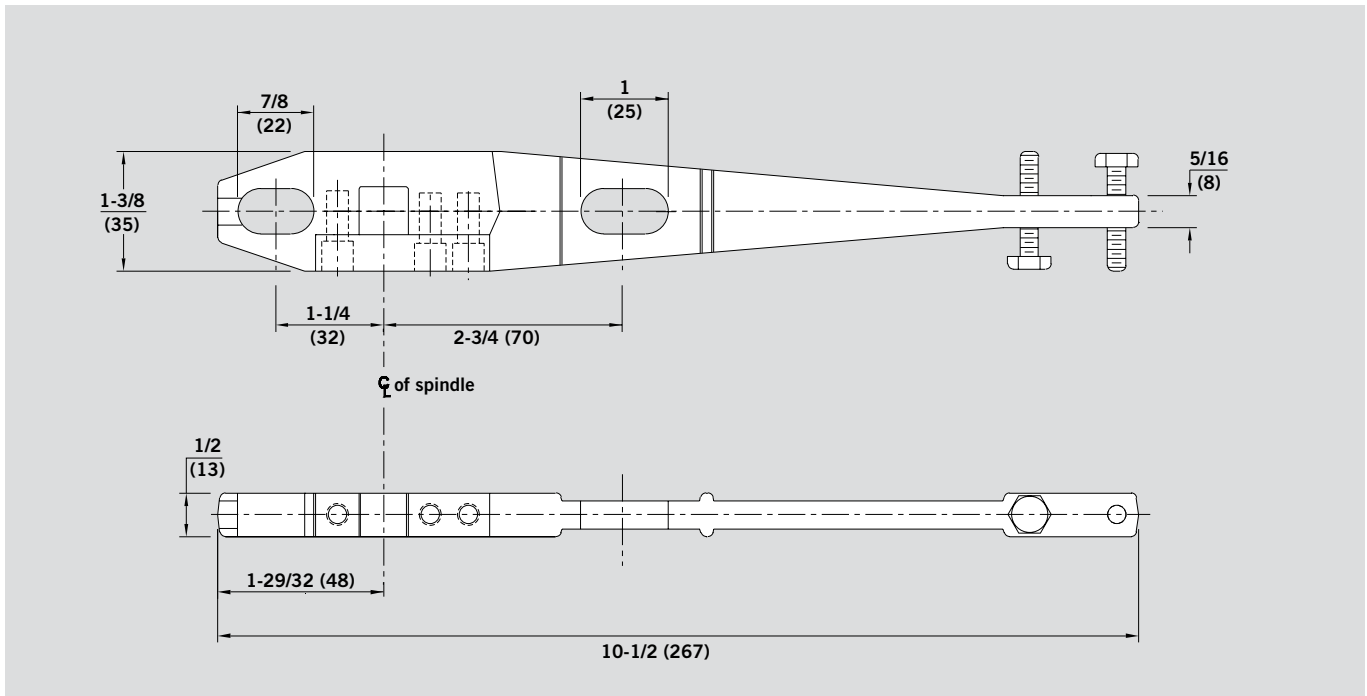
When using DORMA pivots or pivots by others, use an intermediate pivot at the top of the door in place of a full mortise top pivot. A full mortise top pivot occupies the same space in the frame as the RTS88 closer. See DORMA LM Series pivots.

### Note:

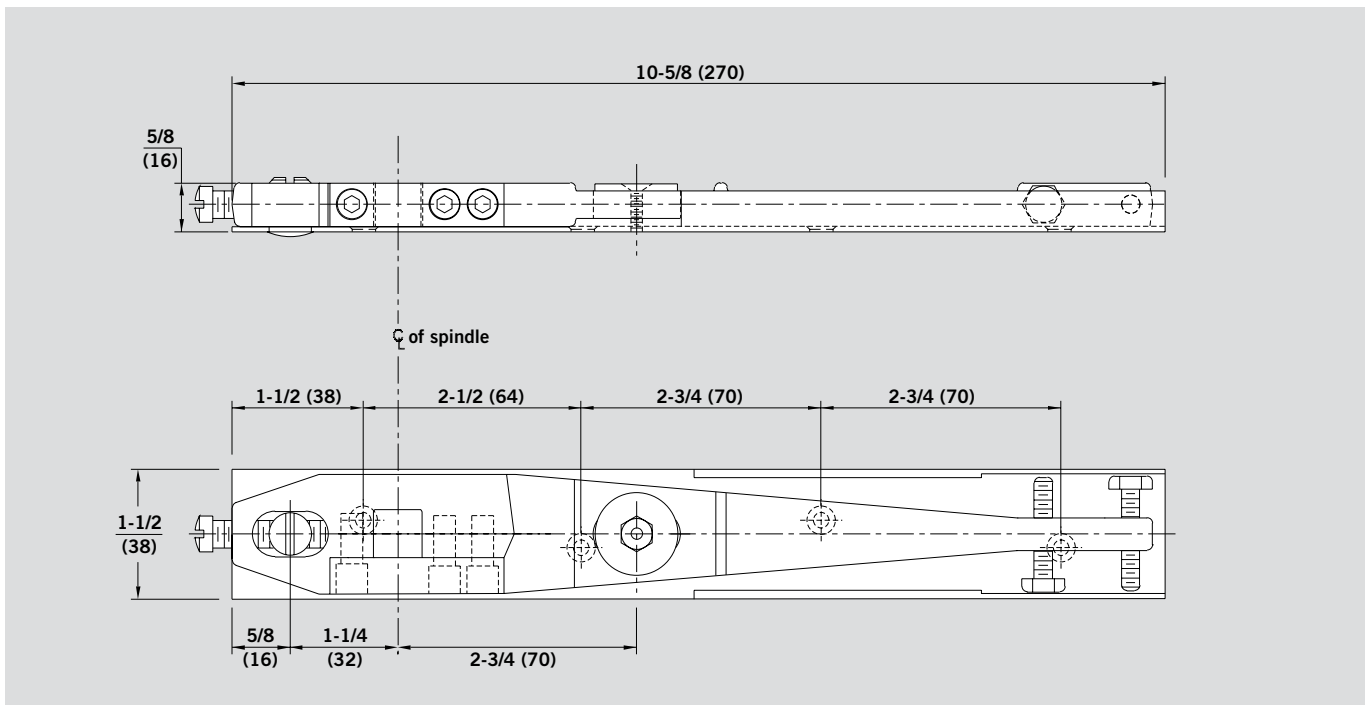
Always use an auxiliary stop in conjunction with RTS88 installations.

# ACCESSORIES

## Arms



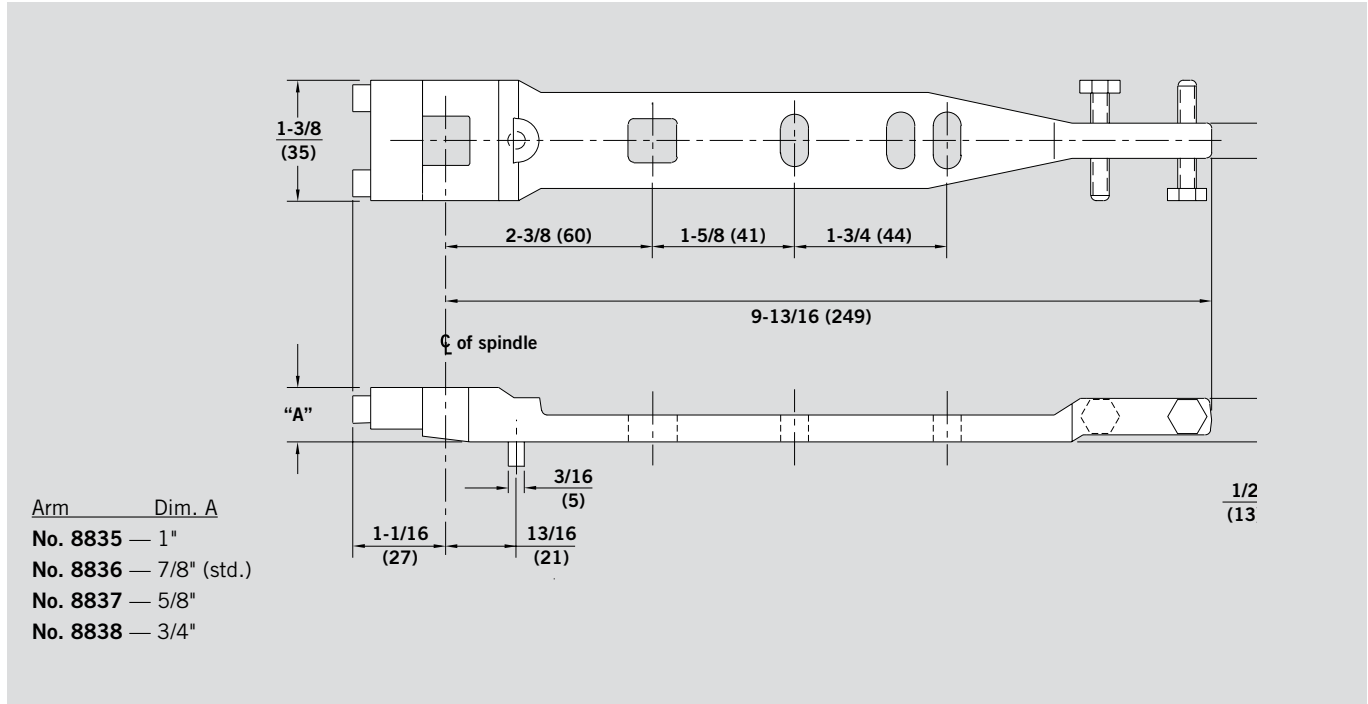
**No. 8831** — Standard side load arm for aluminum or steel doors. Requires a minimum 1/2" top door rail channel depth.



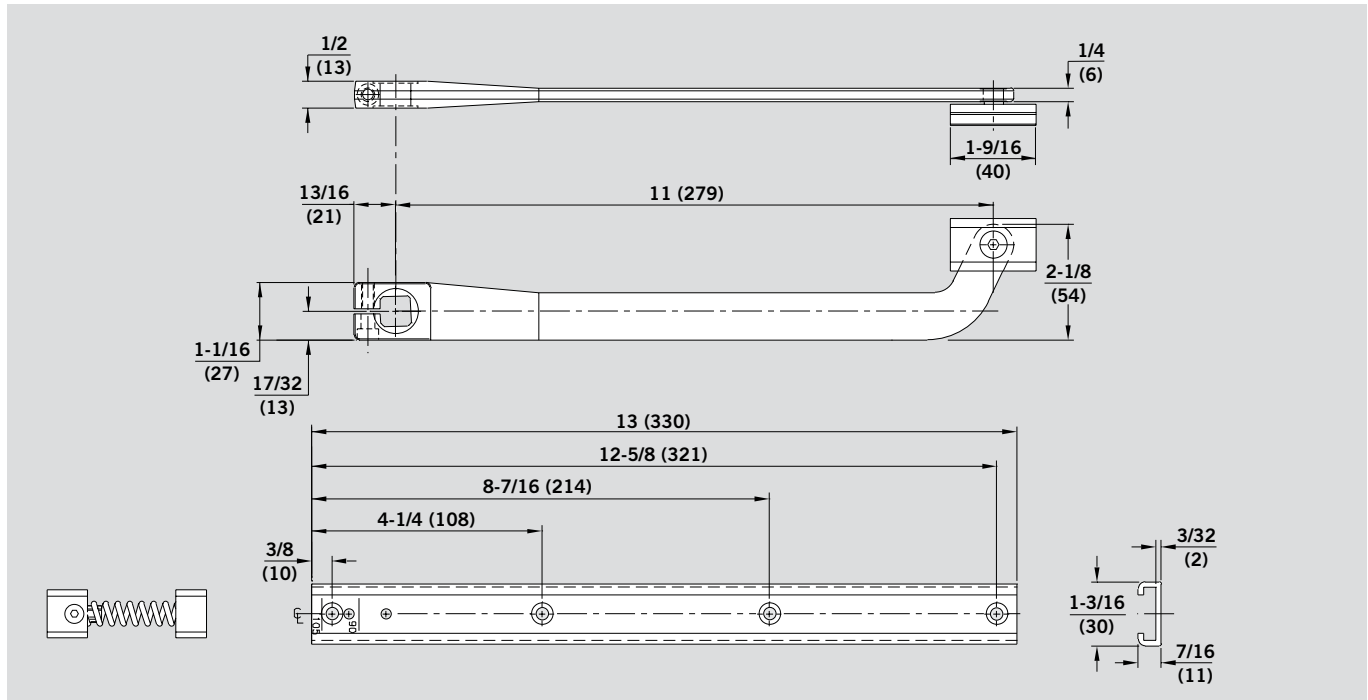
**No. 8832** — Side load arm with channel for wood doors. Requires a 5/8" mortise depth.

# ACCESSORIES

## Arms

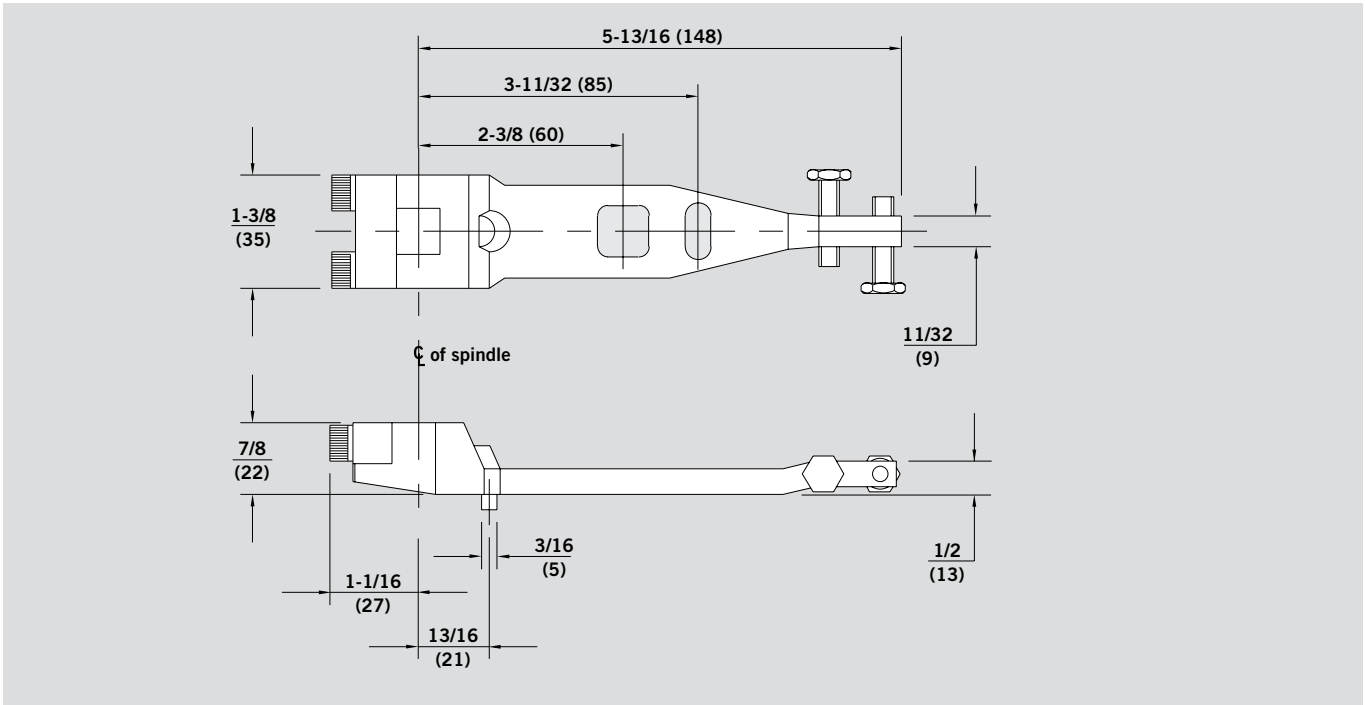


End load arms for aluminum or tempered glass doors. Specify arm as required by top door rail channel depth.

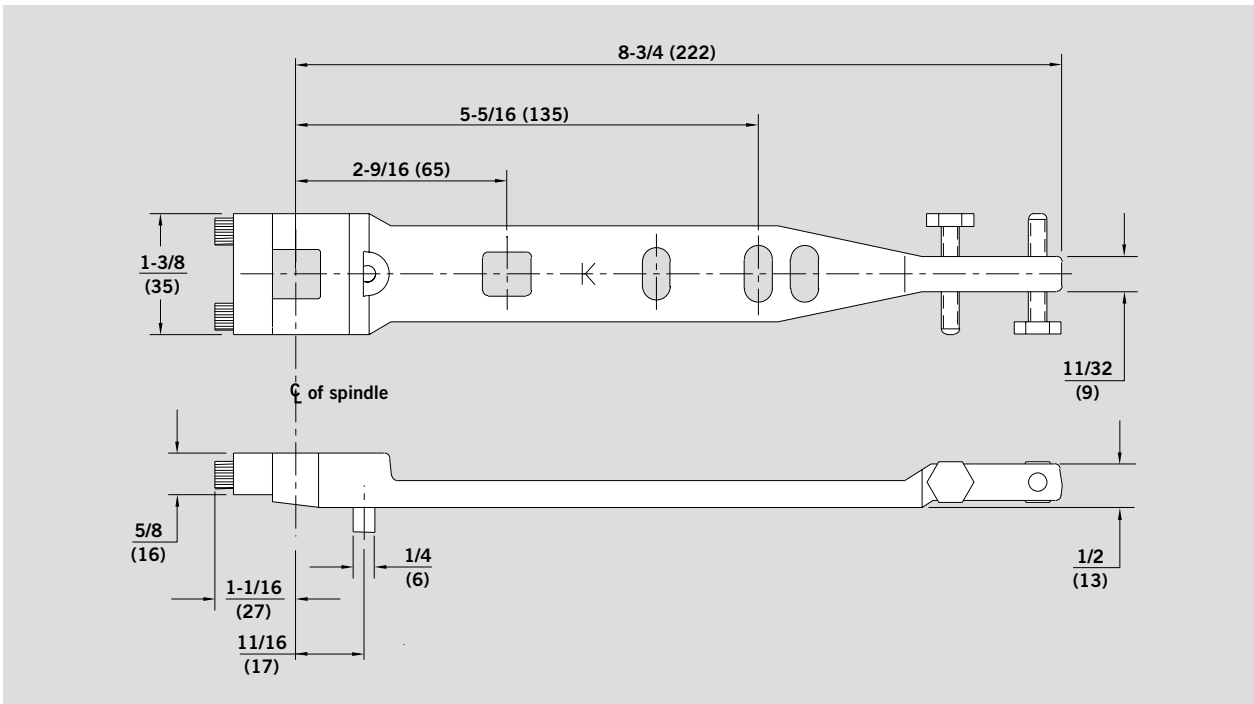


**No. 8812** — Offset slide arm and channel for aluminum, steel, or wood doors, hung on 3/4" offset pivots or 4-1/2" wide butt hinges. Requires a minimum 3/4" top door rail channel depth.

Arms



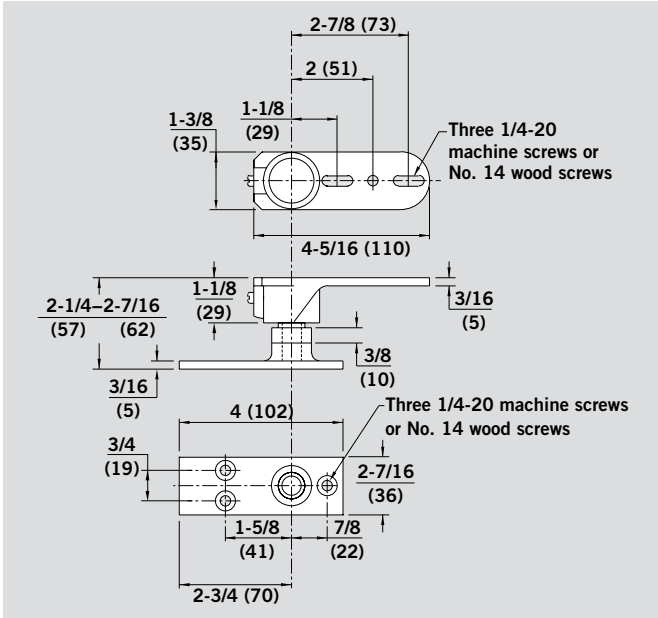
**No. 8836S** — End load arm specifically designed for tempered glass doors with a short top rail (patch fitting). Requires a minimum 7/8" top door rail channel depth.



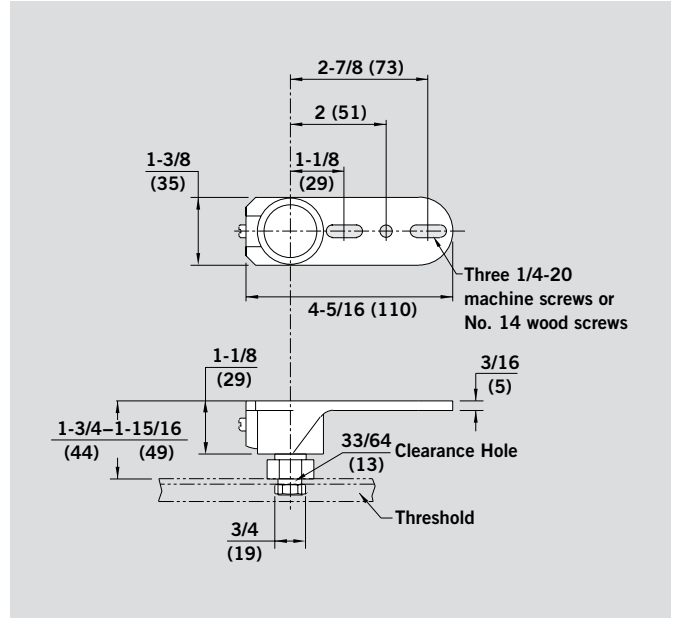
**No. 8837K** — End load arm specifically designed to match templating of Kawneer end load arm.

# ACCESSORIES

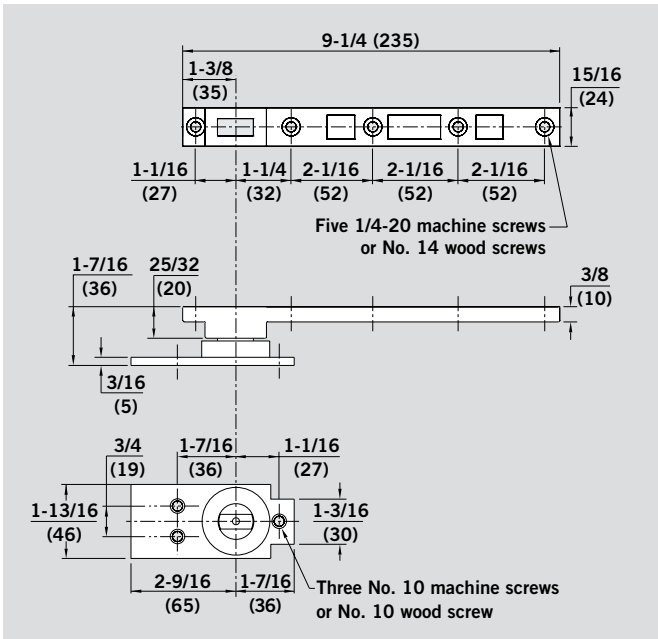
## Pivots



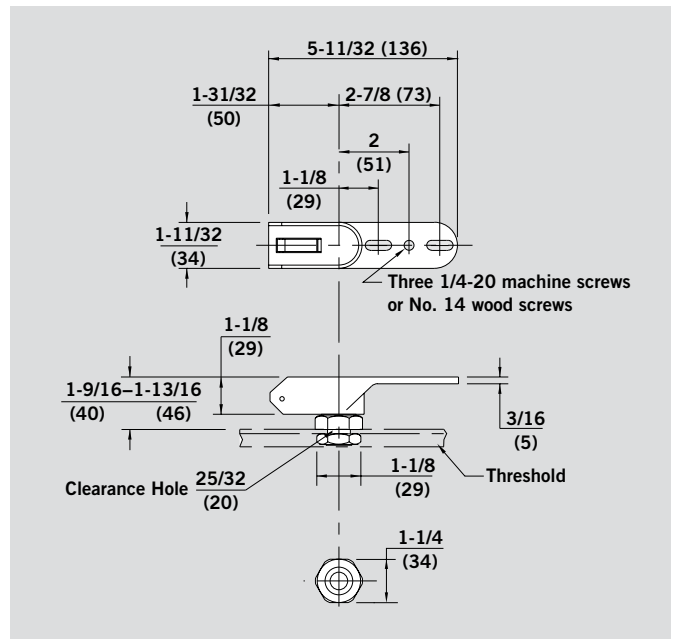
**No. 8570** — Adjustable side load floor pivot set for bottom door rail channel depth of 1-15/16". Base can be shortened for 1-9/16" bottom door rail channel depth. Bottom door clearance is adjustable from 5/16" to 1/2". Maximum weight capacity is 200 lb.



**No. 8572** — Adjustable side load threshold pivot set for bottom door rail channel depth of 1-9/16". Bottom door clearance is adjustable from 3/16" to 3/8". Maximum weight capacity is 200 lb.



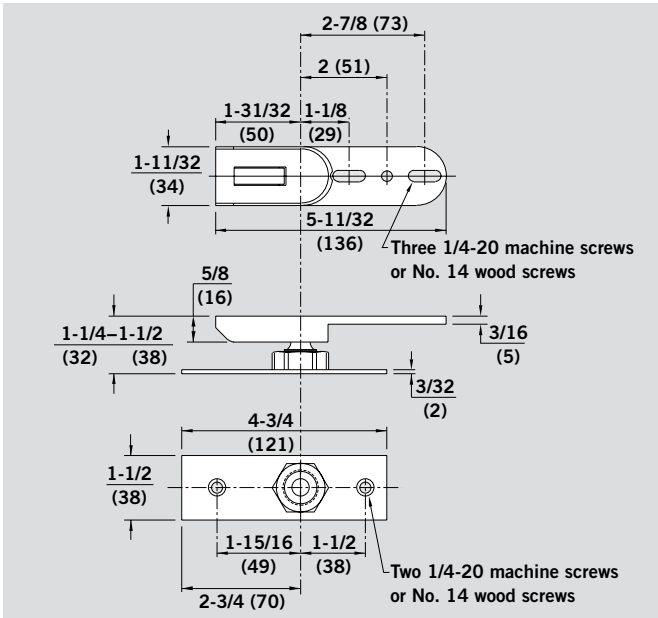
**No. 7471K/7421** — Side load floor pivot set. Requires a 1-1/8" mortise depth. Provides a bottom door clearance of 5/16". Weight capacity when used with RTS Series closer is 250 lb. Recommended for wood doors or any door weighing in excess of 200 lb.



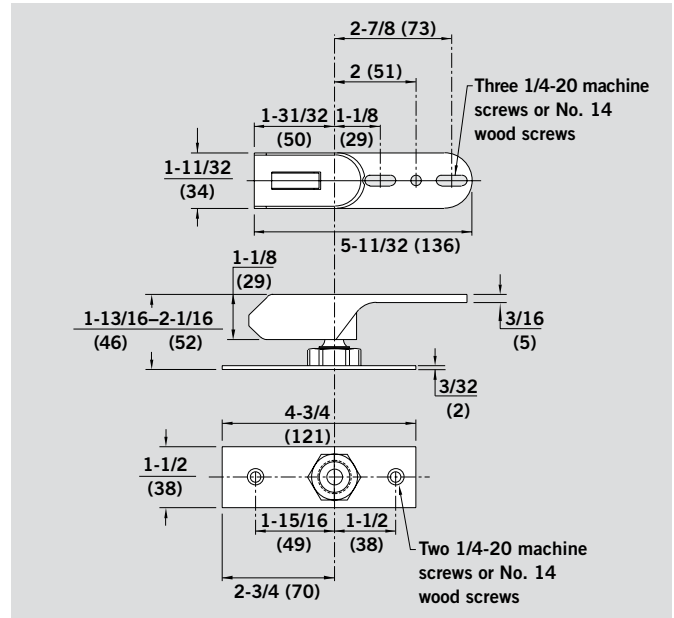
**No. 8856** — Adjustable end load threshold pivot set for bottom door rail channel depth of 1-3/8". Bottom door clearance is adjustable from 3/16" to 7/16". Maximum weight capacity is 200 lb.



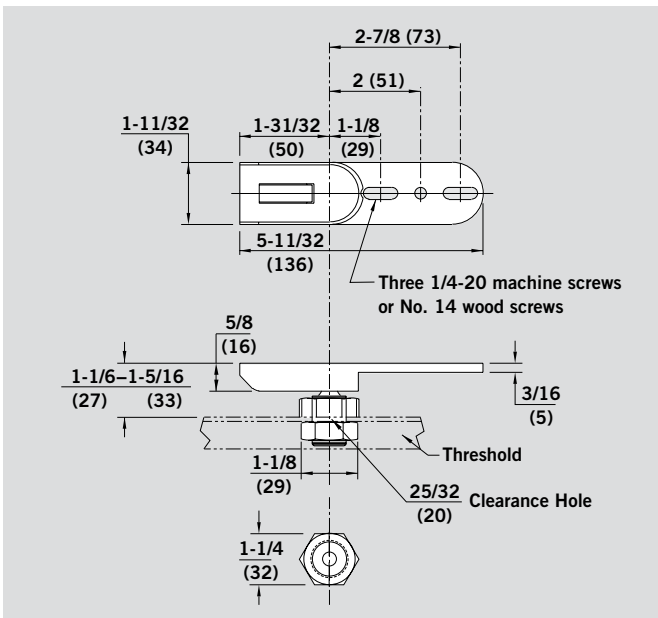
Pivots



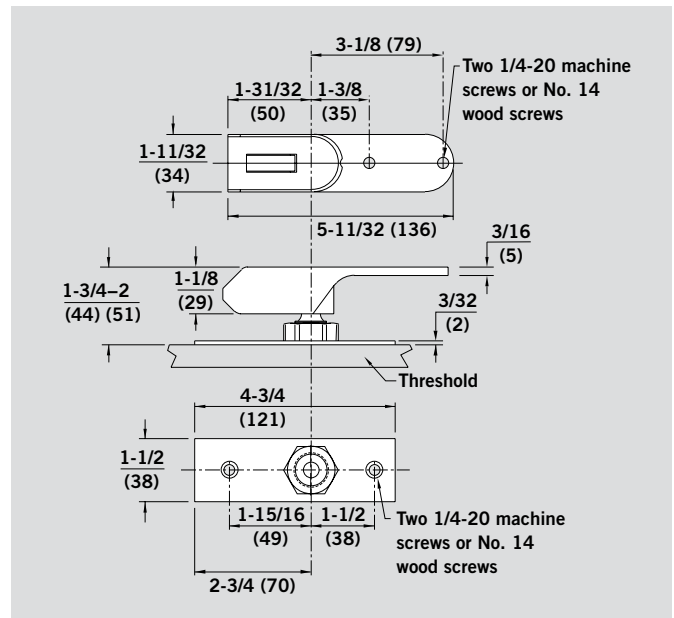
**No. 8852** — Adjustable end load floor pivot set for bottom door rail channel depth of 7/8". Bottom door clearance is adjustable from 3/8" to 5/8". Maximum weight capacity is 200 lb.



**No. 8853** — Adjustable end load floor pivot set for bottom door rail channel depth of 1-9/16". Bottom door clearance is adjustable from 1/4" to 1/2". Maximum weight capacity is 200 lb.



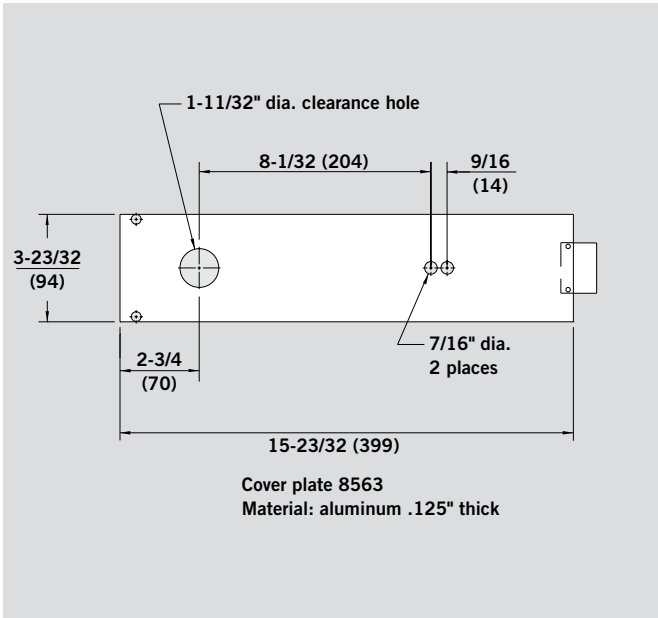
**No. 8855** — Adjustable end load threshold pivot set for bottom door rail channel depth of 7/8". Bottom door clearance is adjustable from 3/16" to 7/16". Maximum weight capacity is 200 lb.



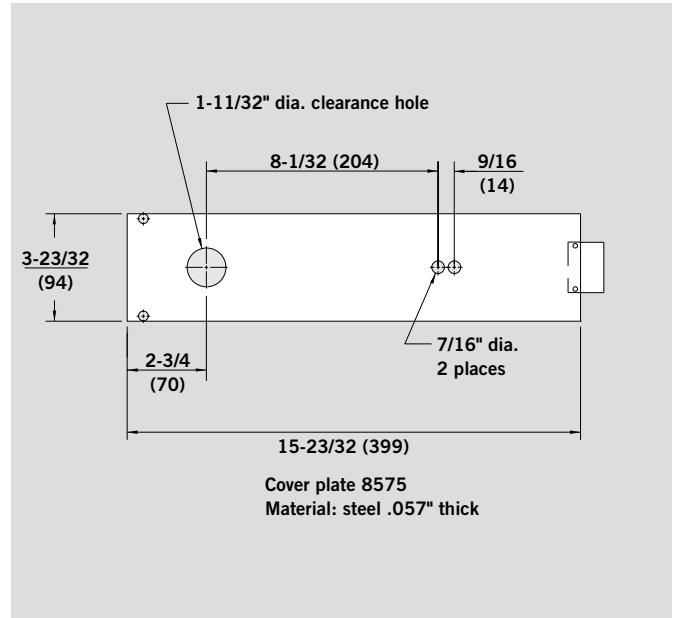
**No. 8857** — Adjustable end load threshold pivot set for bottom door rail channel depth of 1-9/16". Bottom door clearance is adjustable from 3/16" to 7/16". Maximum weight capacity is 200 lb.

# ACCESSORIES

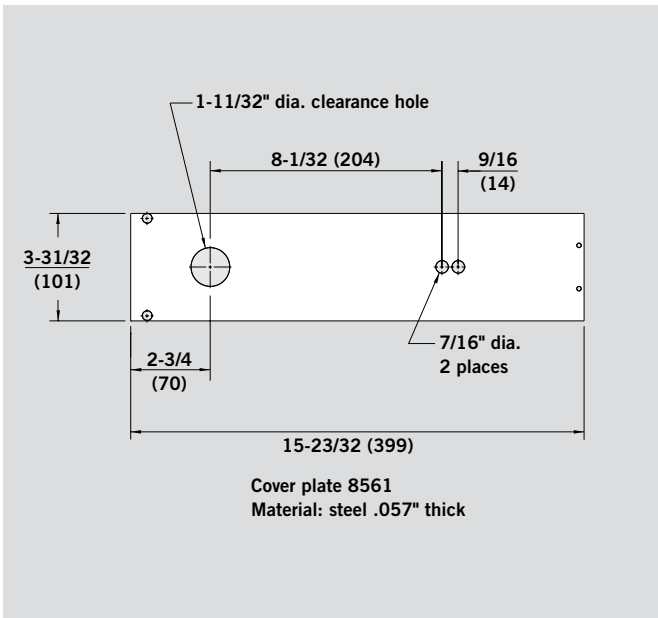
## Cover Plates



**No. 8563** — Cover plate for RTS Series closer when installed in aluminum header.

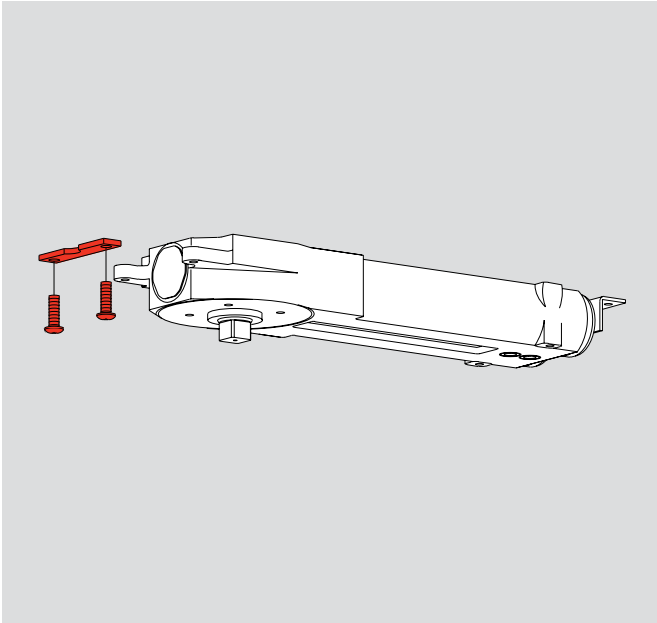


**No. 8575** — Cover plate for RTS Series closer when installed in steel header.

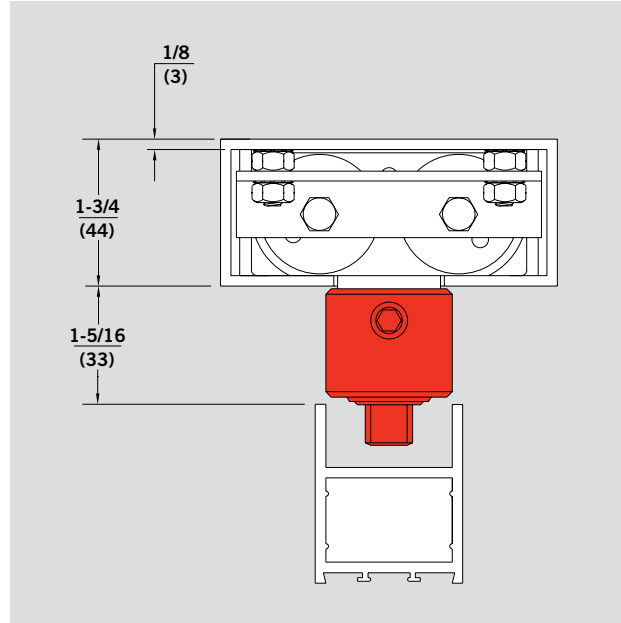


**No. 8561** — Cover plate for RTS Series closer when installed in wood header.

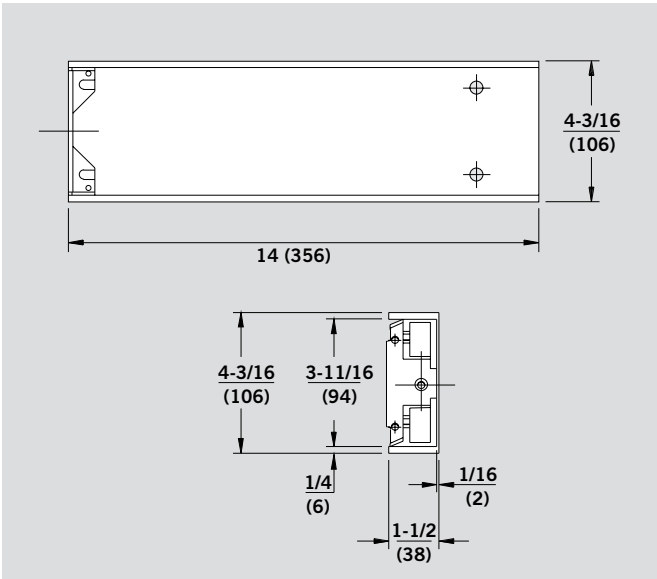
Miscellaneous Accessories



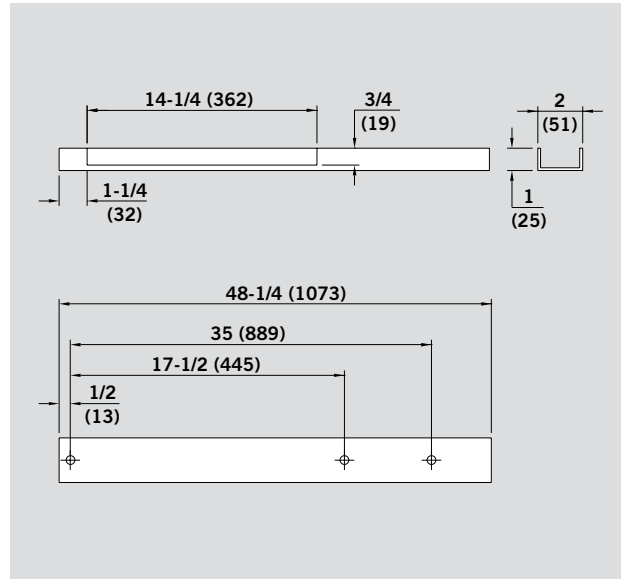
**No. 8820J** — Conversion bracket for replacement of existing overhead concealed closers. Utilizes existing side jamb mounting bracket to anchor RTS Series closer.



**No. 8521E** — Add-on spindle extension increases distance between closer and door by 1-3/16" (30 mm).



**No. 8532** — Steel header mounting channel. Provides reinforcement required to install the RTS Series closer in an open-throat header.



**No. 8511** — Offset slide arm cover. Conceals No. 8812 slide arm when door is in the closed position. The extruded aluminum cover is 48-1/4" long and is field-sized as required. Specify hand.



[www.dorma.com](http://www.dorma.com)



**DORMA USA, Inc.**  
Dorma Drive, Drawer AC  
Reamstown, PA 17567  
Tel: 800 523 8483  
Fax: 800 274 9724  
[archdw@dorma-usa.com](mailto:archdw@dorma-usa.com)

**DORMA Canada**  
1680 Courtney Park Drive, Unit 13  
Mississauga, Ontario L5T 1R4  
Tel: 800 387 4938  
Fax: 905 670 5850  
[sales@dormacanada.com](mailto:sales@dormacanada.com)

**DORMA Mexico**  
Calle Sur 110 no. 63, Col. Tolteca  
01150 México, D.F.  
Tel: 5255 5272 6937  
Fax: 5255 5272 6948  
[operacion@dorma.com.mx](mailto:operacion@dorma.com.mx)