

The following are part of the WC-13 package:

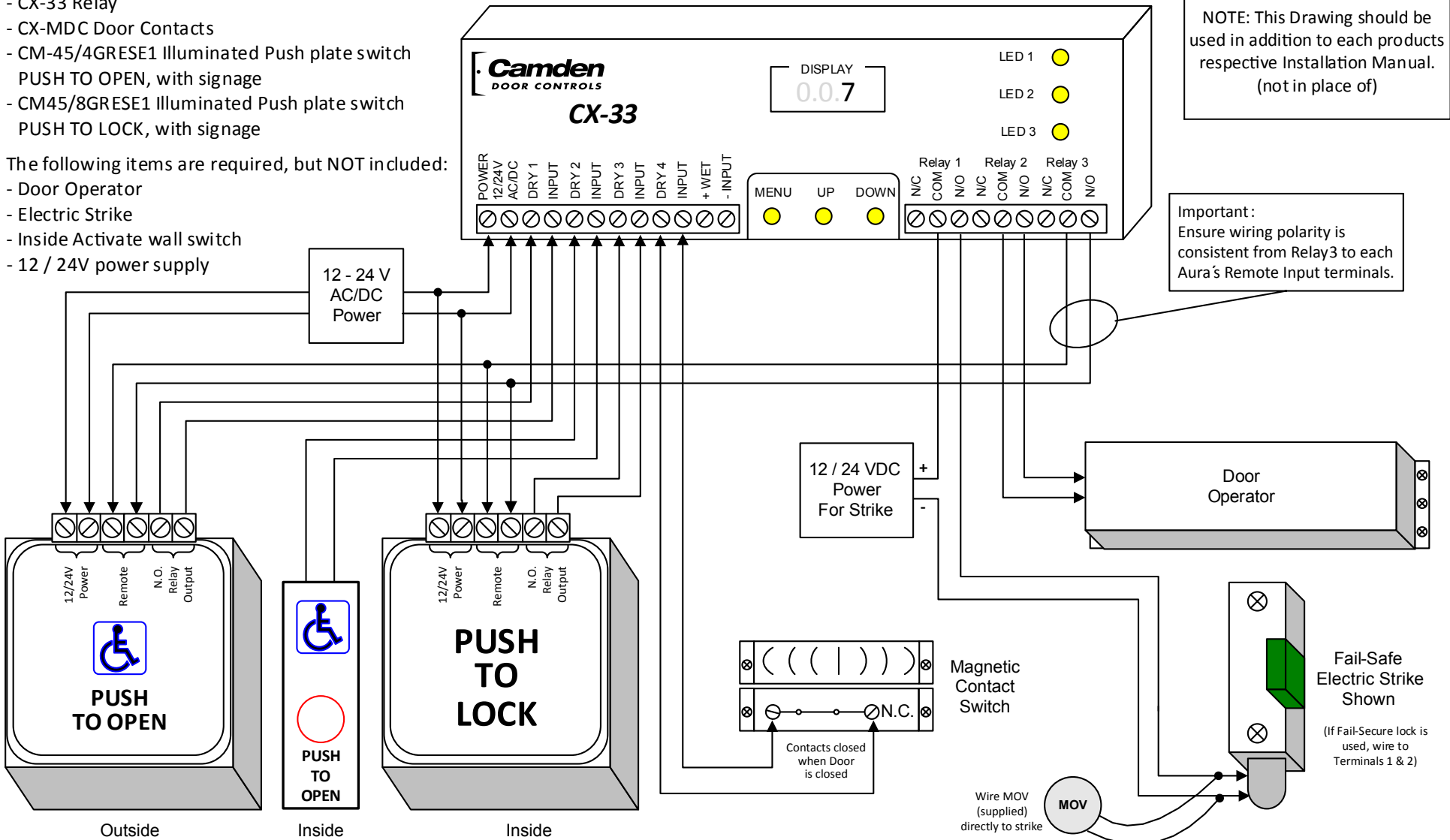
- CX-33 Relay
- CX-MDC Door Contacts
- CM-45/4GRESE1 Illuminated Push plate switch PUSH TO OPEN, with signage
- CM45/8GRESE1 Illuminated Push plate switch PUSH TO LOCK, with signage

The following items are required, but NOT included:

- Door Operator
- Electric Strike
- Inside Activate wall switch
- 12 / 24V power supply

NOTE: This Drawing should be used in addition to each products respective Installation Manual. (not in place of)

Important: Ensure wiring polarity is consistent with Relay3 to each Aura's Remote Input terminals.



Outside Wall Switch CM-45/4GRESE1 (or similar)

Inside Wall Switch (always unlocks & opens door)

Inside Push to Lock CM-45/8GRESE1 (or similar)

Aura Dip Switch Settings

Color Select

1	Red	IDL
2	G/B	
3	Red	ACT
4	G/B	

ON →

Enable

4	ON
3	ON
2	ON
1	ON

LOC/REM RELAY SPEAKER ← ON

CAMDEN DOOR CONTROLS		5502 Timberlea Blvd. Mississauga, Ontario L4W 2T7	
SCALE: NONE	DRAWN BY: DGW	DATE: 07/22/14	REVISED:
WC-13 Washroom Package Wiring Diagram (normally unlocked)			
DRAWING No: DRG-CX-WC-13-7		FILENAME: WC-13-7 wiring diagram.vsd	

The following are part of the WC-13 package:

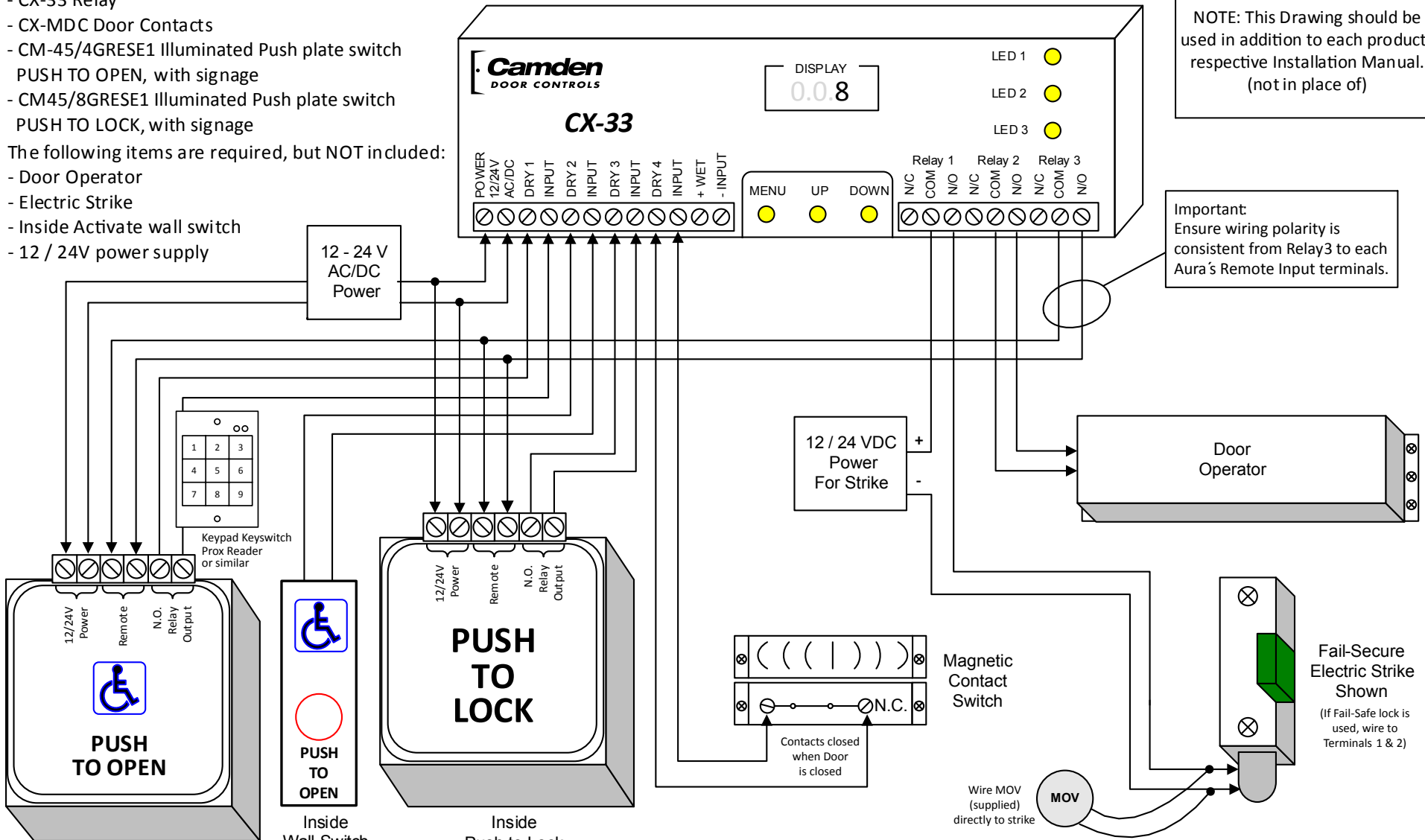
- CX-33 Relay
- CX-MDC Door Contacts
- CM-45/4GRESE1 Illuminated Push plate switch PUSH TO OPEN, with signage
- CM45/8GRESE1 Illuminated Push plate switch PUSH TO LOCK, with signage

The following items are required, but NOT included:

- Door Operator
- Electric Strike
- Inside Activate wall switch
- 12 / 24V power supply

NOTE: This Drawing should be used in addition to each products respective Installation Manual. (not in place of)

Important: Ensure wiring polarity is consistent from Relay3 to each Aura's Remote Input terminals.



Aura Dip Switch Settings

Color Select

1	Red	IDL
2	G/B	
3	Red	ACT
4	G/B	

ON →

Enable

4	LOC/REM
3	
2	RELAY
1	

ON ←

SPEAKER

Camden DOOR CONTROLS

5502 Timberlea Blvd.
Mississauga, Ontario
L4W 2T7

SCALE: NONE	DRAWN BY: DGW	DATE: 07/22/14	REVISED:
-------------	---------------	----------------	----------

WC-13 Washroom Package Wiring Diagram (normally locked)

DRAWING No: DRG-CX-WC-13-8 FILENAME: WC-13-8 wiring diagram.vsd

For Normally Unlocked Door, see over...