



CM -160/170/180 AUTOMATIC DOOR KEY SWITCHES



CM-160/23



CM-170/23



CM-180/24

FEATURES

- 3 FORMATS: JAMB, HEADER OR SINGLE GANG MOUNT
- KEY REMOVABLE IN ALL MAINTAINED POSITIONS
- 2, 3, OR 4 POSITION MAINTAINED AND 2 POSITION MOMENTARY MODELS
- UL/CSA APPROVED SWITCH RATED 4 AMPS @ 28V DC
- VARIOUS LOGOS, AND LANGUAGES

DESCRIPTION

Camden Door Controls CM-160/170/180 Series key switches are economical, automatic door controls. All key switches are keyed alike, and keys are removable in all maintained positions. The switches are UL/CSA approved, and rated 4 amps @ 28 VDC.

The **CM-160** 1 11/16" x 3" compact lamacoid faceplate is designed for easy installation directly in the aluminum jamb or operator header.

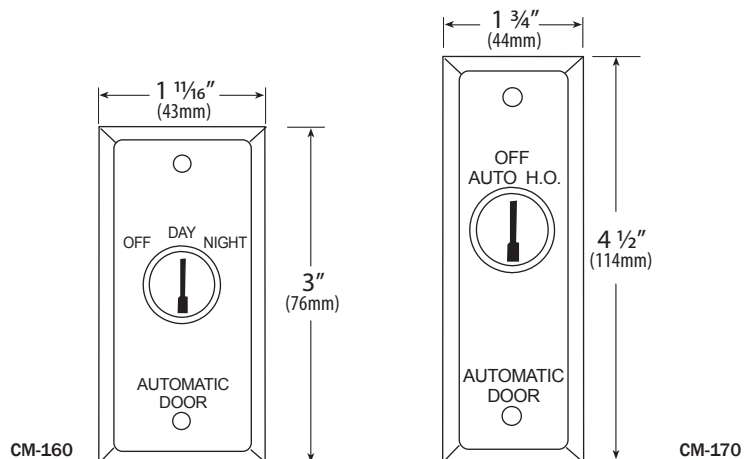
The **CM-170** narrow stainless steel faceplate is 1 1/2" x 4 1/2", and is designed to mount in the aluminum jamb.

The **CM-180** stainless faceplate is 2 3/4" x 4 1/2" and will fit on any standard electrical box, flush or surface.

APPLICATION

Camden automatic door key switches are designed to control automatic pedestrian & overhead doors.

They may also be used for shunting, bypassing alarms, request to exit, timed functions and many other applications. Camden key switches are versatile and can be supplied in various logos and languages to suit any commercial, industrial or residential application.



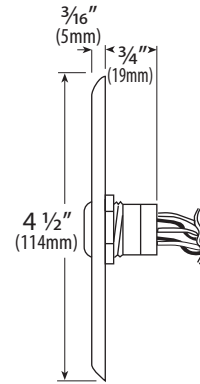
ARCHITECTS/ENGINEERS SPECIFICATIONS

The key switches to be used throughout the site/complex shall be Camden Door Controls CM-160, 170, or 180 series key switches.

The switches shall all be keyed alike, with the key removable in all maintained positions. Faceplates shall be constructed of engraved plastic, or stainless steel with laser etched lettering. Switches shall be rated at a minimum of 4 amps @ 28V AC.

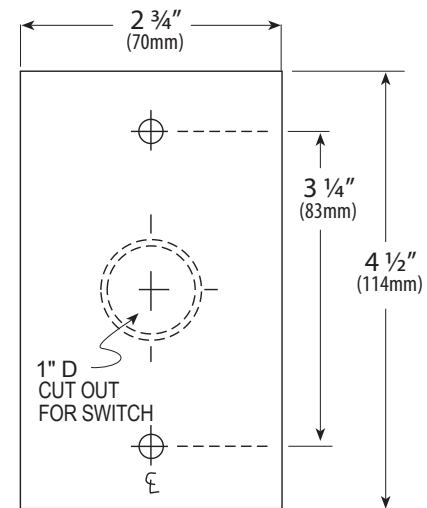
ORDERING INFORMATION

All CM-160/170/180 series key switches are complete ready-to-install assemblies. They are supplied with mounting hardware, 2 keys and 6" wire leads.



CM-170

MODEL	DESCRIPTION
1 11/16" X 3" LAMACOID	
CM-160/20	OFF-OPEN MOMENTARY
CM-160/21	OFF-AUTO MAINTAINED
CM-160/22	OFF-AUTO-HOLD OPEN MAINTAINED
CM-160/23	OFF-DAY-NIGHT MAINTAINED
CM-160/24	OFF-EXIT-AUTO-HOLD OPEN MAINTAINED
1 1/2" X 4 1/2" NARROW STAINLESS	
CM-170/20	OFF-OPEN MOMENTARY
CM-170/21	OFF-AUTO MAINTAINED
CM-170/22	OFF-AUTO-HOLD OPEN MAINTAINED
CM-170/23	OFF-DAY-NIGHT MAINTAINED
CM-170/24	OFF-EXIT-AUTO-HOLD OPEN MAINTAINED
2 3/4" X 4 1/2" SINGLE GANG STAINLESS	
CM-180/20	OFF-OPEN MOMENTARY
CM-180/21	OFF-AUTO MAINTAINED
CM-180/22	OFF-AUTO-HOLD OPEN MAINTAINED
CM-180/23	OFF-DAY-NIGHT MAINTAINED
CM-160/24	OFF-EXIT-AUTO-HOLD OPEN MAINTAINED
CM-A126	2 KEYS FOR KEY SWITCHES



CM-180