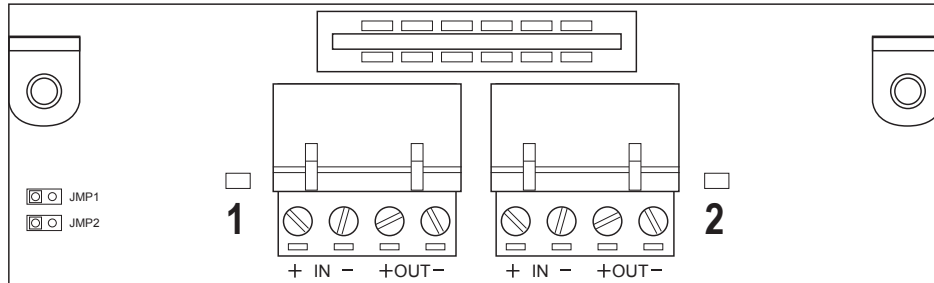


# Installation Instructions

## VD2



### DESCRIPTION

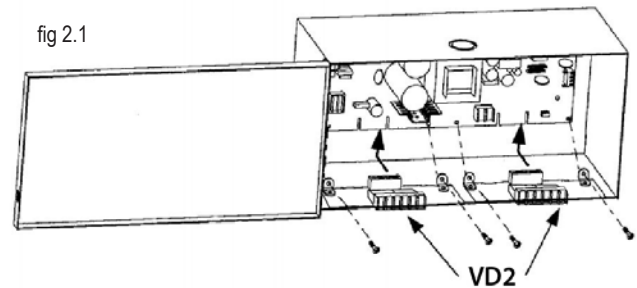
The VD2 is designed to operate (2) Command Access modified exit devices, Von Duprin EL devices, or Doromatic EL devices. One or two VD2 boards can be installed on each Von Duprin PS873 power supply.

### STEP 1 - Preparation

Ensure PS873 breaker is open. (Disconnect batteries if you have this option.)

### STEP 2 - Installing VD2

Install VD2 board onto either PS873 receptacle as shown in fig. 2.1 using the included screw pack.



### STEP 3 - Wiring the devices

1. Make sure the 120VAC supply breaker is off.
2. Terminate the wires for each channel being used as shown in fig. 3.1. Each individual channel may be wired with the terminal block connected to the board or removed for easier access. (Note: When triggering multiple locking device from one input see fig 3.2 for recommended wiring)

fig 3.1

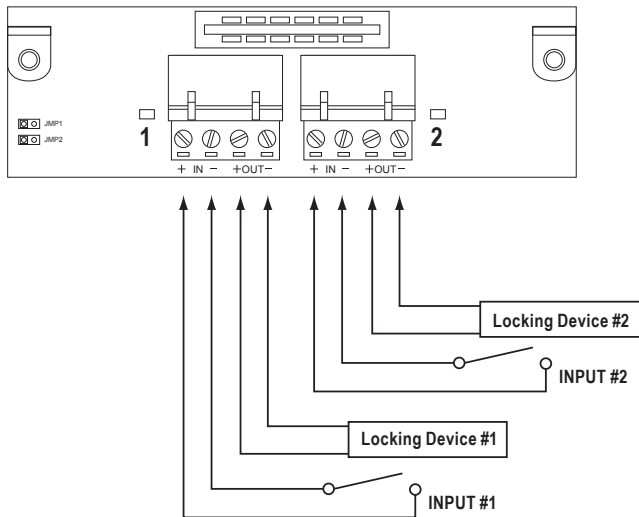


fig 3.2

