

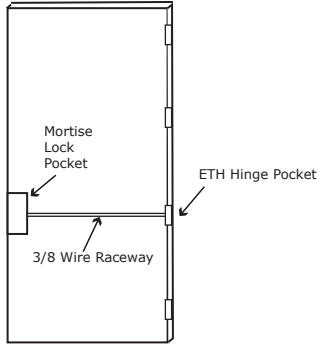
Installation Instructions

ML45D/ML45W/ML453D

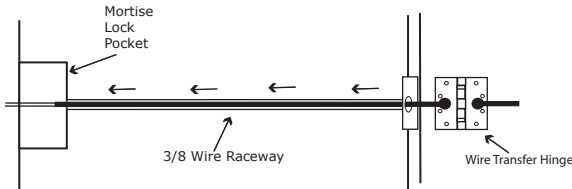


Best Lock modified by Command Access Technologies

STEP 1: The door must be machined with a 3/8" wire raceway, mortise lock pocket & prepped for a energy transfer hinge. **Make sure the mortise pocket is free of debris.**

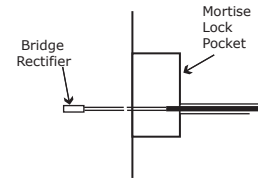


STEP 2: Run the wires from the ETH hinge through the 3/8" raceway starting at the ETH hinge & exiting into the mortise pocket.

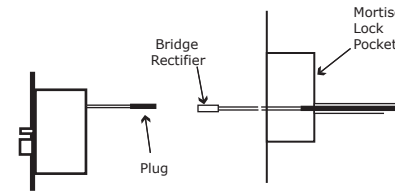


STEP 3: Screw the ETH hinge to the door. At this time **DO NOT** connect the hinge wires on the jamb side to the wires coming from the power supply.

STEP 4: Connect the wires exiting the mortise pocket to the Bridge Rectifier (included).



STEP 5: Connect the Bridge Rectifier to the plug exiting the mortise chassis.



STEP 6: Carefully slip the connected mortise lock chassis into the mortise pocket paying close attention not to pinch any wires.

STEP 7: Mount the chassis per manufacturer's instructions.

STEP 8: Connect the wires from the power supply at the ETH hinge on the jamb side. Connect the hinge to the jamb.

LEGEND OF TERMS

EU: (Fail Secure) When power is applied, the outside trim will unlock. When power is removed, the outside trim is locked.

EL: (Fail Safe) When power is applied, the outside trim will lock. When power is removed, the outside trim is unlocked.

REX: (Request to Exit Switch) Monitors the inside handle.

DPS: (Door Position Switch) Monitors the door position via the anti pick (Deadlatch).

LBM: (Latchbolt Monitor Switch) Monitors the position of latchbolt.

ELECTRICAL SPECIFICATIONS

SOLENOIDS:

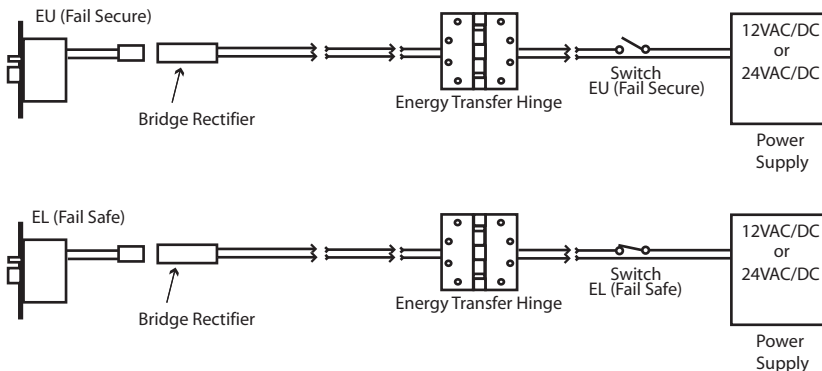
VOLTS	CURRENT	COIL RESISTANCE
24VAC/DC	350mA	69 Ohms +/- 10%
12VAC/DC	700mA	18 Ohms +/- 10%

SWITCHES: 5A 124VAC/DC

REX: Green - Common (C)
Blue - Normally Open (NO)
Gray - Normally Closed (NC)

LBM: Green/Black - Common (C)
Blue/Black - Normally Open (NO)
Gray/Black - Normally Closed (NC)

DPS: Green/Red - Common (C)
Blue/Red - Normally Open (NO)
Gray/Red - Normally Closed (NC)

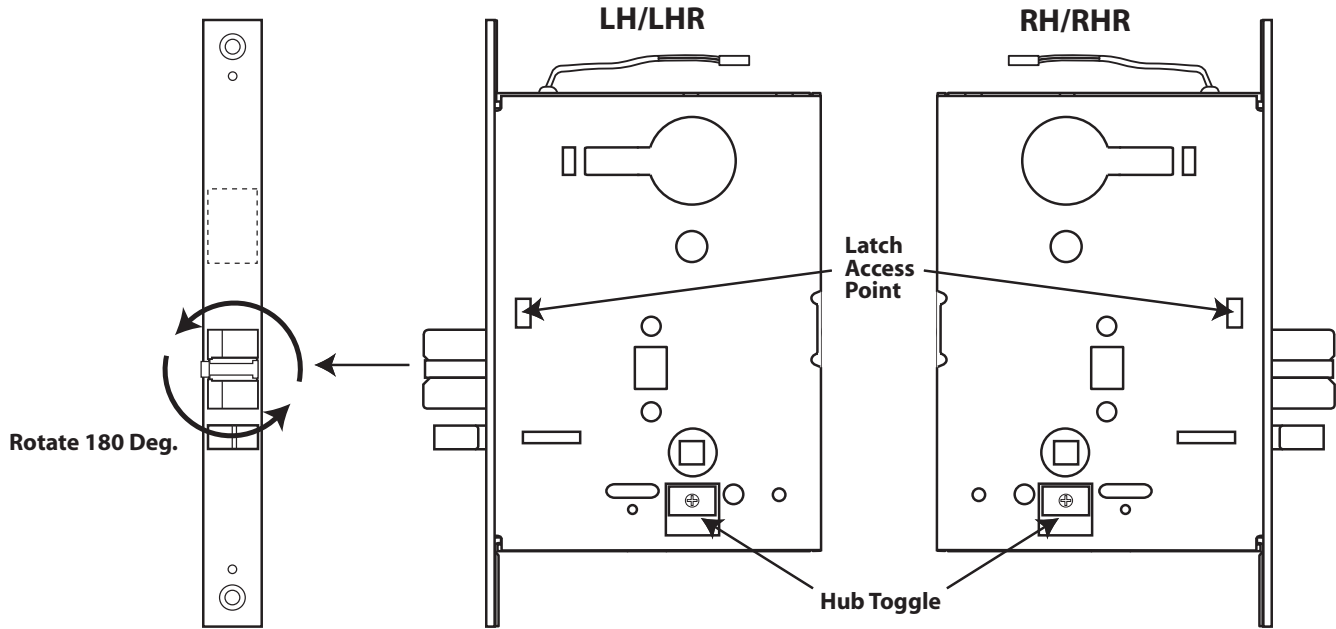


Handing Instructions for ML45D/ML45W/ML453D Mortise Locks

STEP 1: To rotate the latchbolt, insert a blade screwdriver into the latch access point and press to extend the latch out of the case. Rotate the latchbolt 180 and allow it to retract into the case

STEP 2: Check whether the hub toggles are in proper position for the lock. (up for locked, down for unlocked)

STEP 3: To change the position of the hub toggle, remove the toggle screw, move the toggle into the desired position and re-tighten the screw.



Template for ML45D/ML45W/ML453D Mortise Locks

