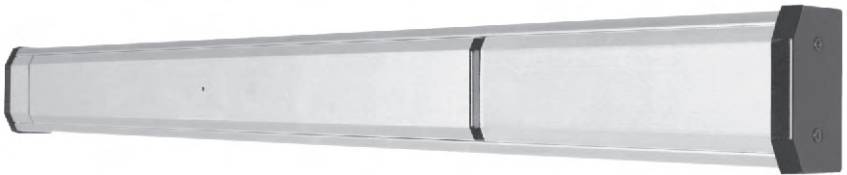




Installation Instructions

PD15-M / PD16 CVR Exit Device

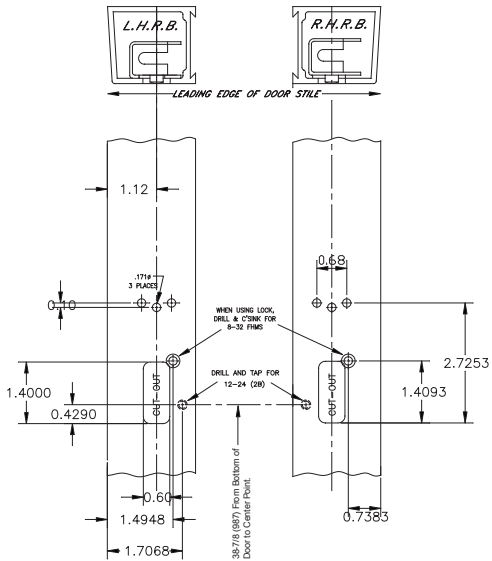
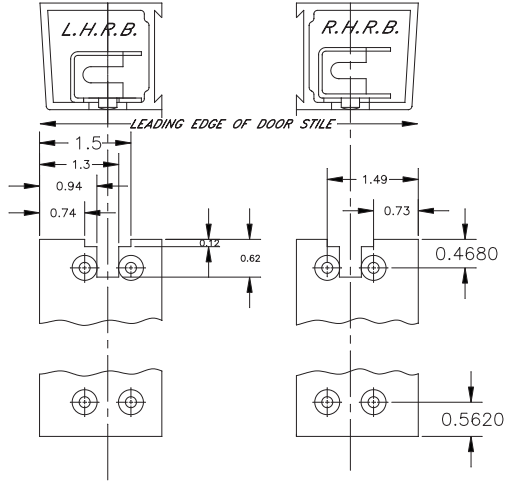
Read all instructions completely before beginning.



Step #1

Prepare lock stile.

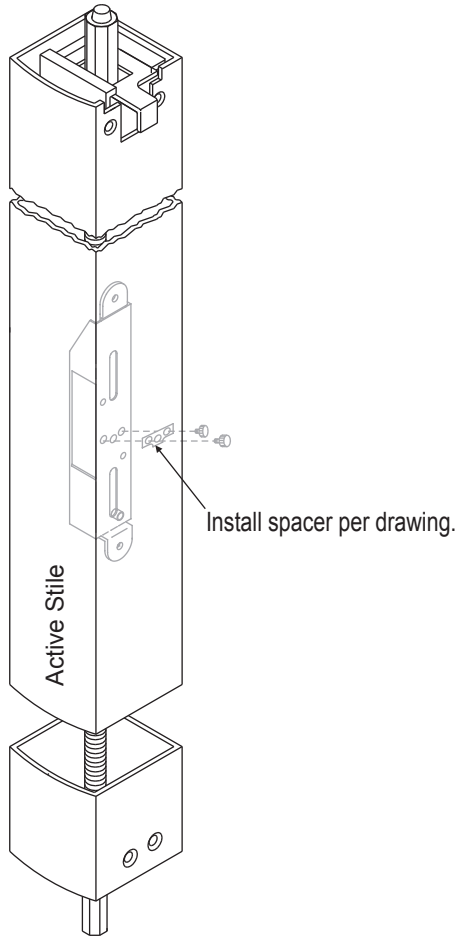
BOLT GUIDE LAYOUT



Step #2

Install Rod & Case assembly into active stile.

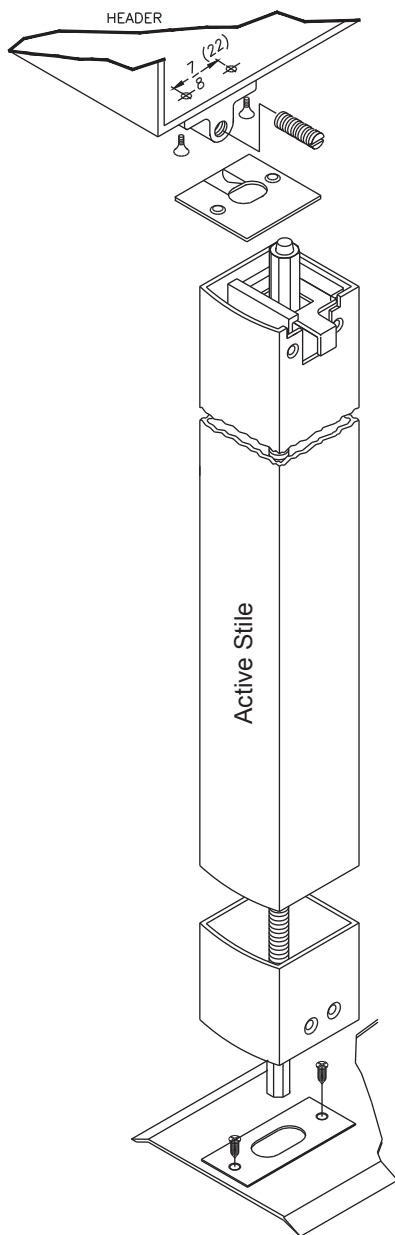
Secure with 2 ea. 8-32 x 1/4" cap screws.



Step #3

Install Top & Bottom Strikes.

Secure with 2 ea. 8-3/4(19) self tap screws.



NOTE: If trim or cylinder are not being used, skip this step.

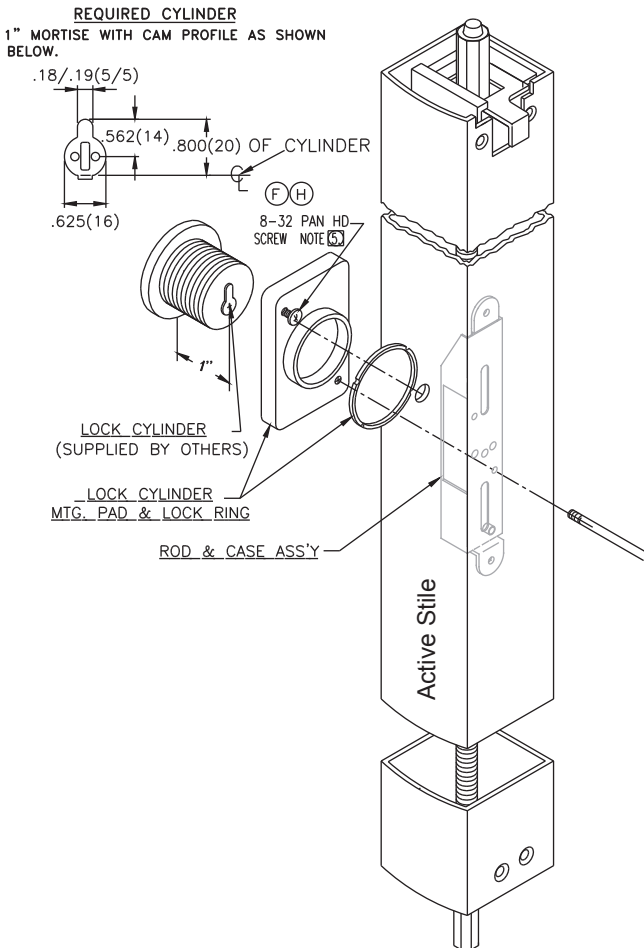
Step #4

Install Trim and Cylinder.

Install one 8-32 pan head screw partially to suit nominal wall thickness of 1/8" or 3/16"
Install pad assembly and rotate clockwise until it locks into position. Install single 8-32 x 1-15/16" screw and tighten.

NOTE:

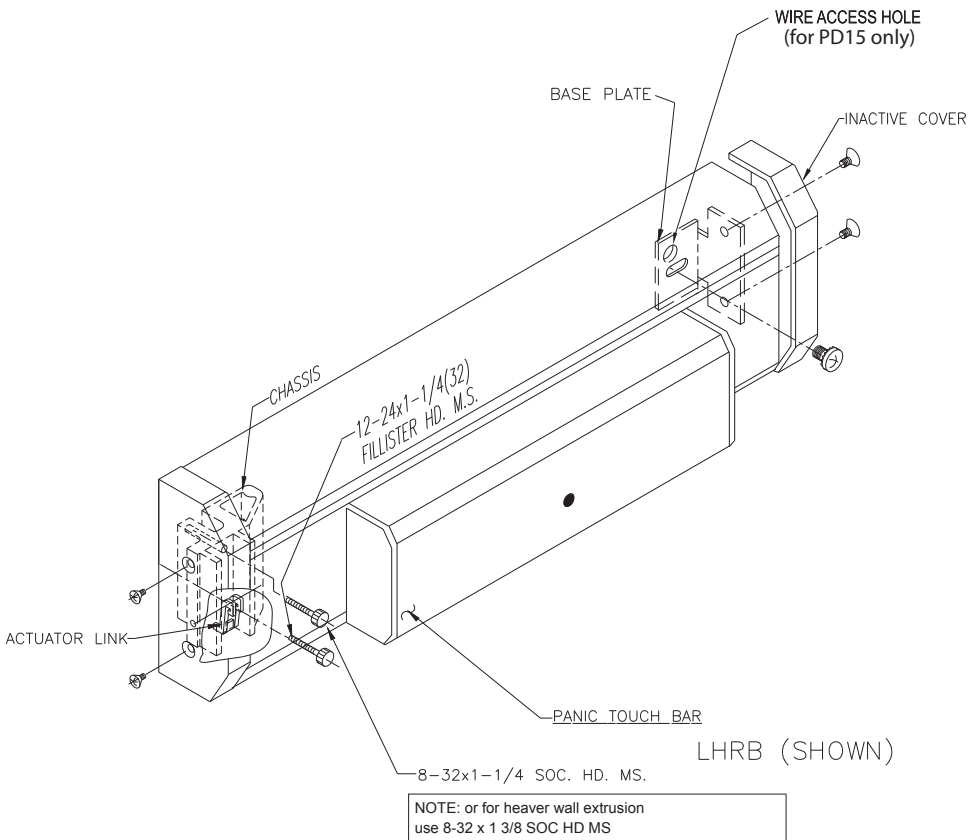
Use 8-32x5/16 pan head on 1/8" wall thickness
Use 8-32x5/8 pan head on 3/16" wall thickness



Step #5

Panic Attachment.

- Remove front and rear end base covers by releasing 6-32x3/16(5) & 12-24x1-1/4(32) fillister head screw through chassis and one 8-32x1-1/4 head machine screw, secure inactive end with single 1/4-20x1/2(13) round head machine screw (phil.) with semsthrough inactive base plate.
- Using the wire access hole as a guide, drill a 3/8" hole into the inactive stile to allow for wire access.
- Proceed by re-installing base cover on each end of panic base.



Step #6

Adjust Top & Bottom Bolts.

Adjust Top & Bottom Bolts allowing for 1/2"(13) of bolt to extend from vertical stile.

Install bolt guides top & bottom with (2) each #10x1/2(13) flat head self-tapping screws.

Depress push bar, top bolt should lock in the retracted (unlocked) position. If locking does not occur readjust bolts in half turn increments until locking occurs. Verify operation by fully depressing touch bar to achieve dogging or full retraction of bolts.

Top Bolt Adjustment:

Release top and bottom bolts by depressing trigger on top bolt guide assembly.

Position top bolt 1/2"(13) from top edge of active stile.

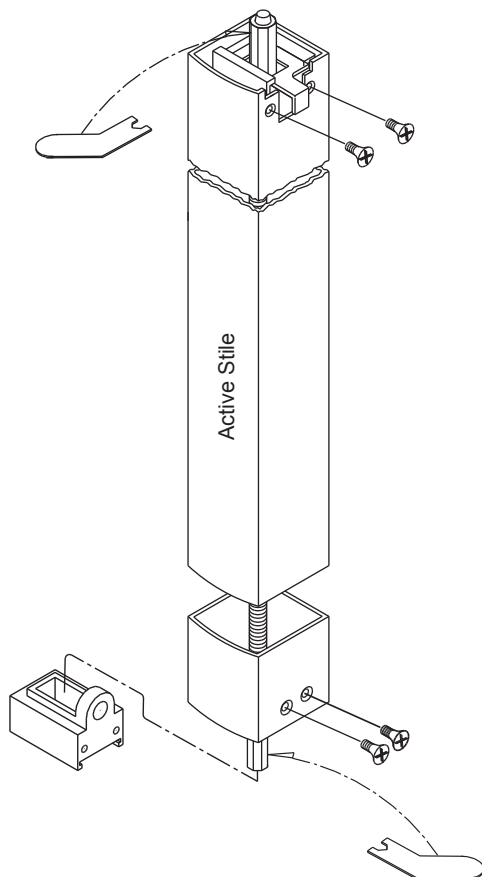
Bottom Bolt Adjustment:

Fully depress push bar, retracting top and bottom rods. Adjust bottom bolt per detail "B"

Manual Check:

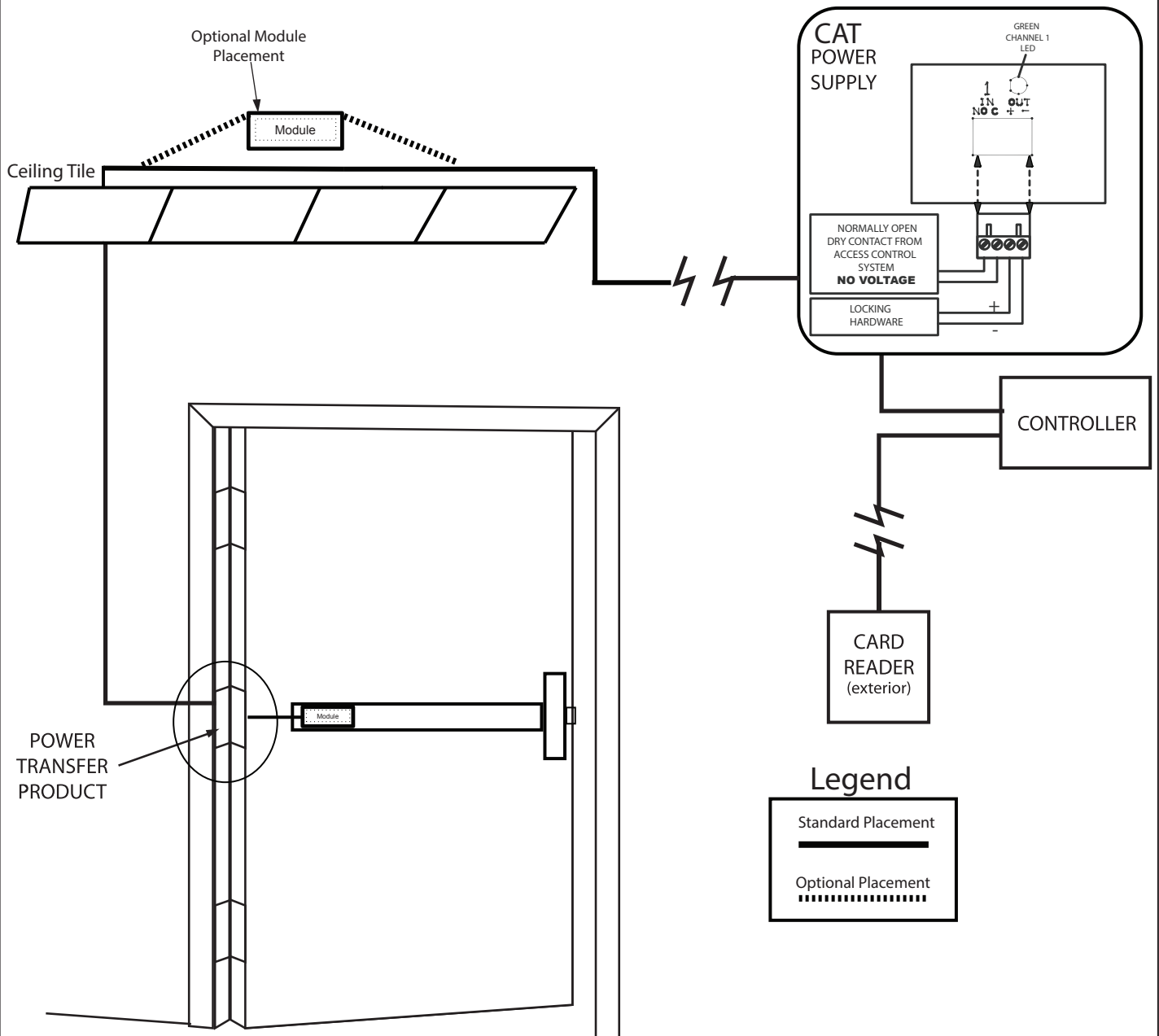
With top and bottom bolts fully retracted, depress trigger release, rods will then extend to the locked position.

Install trip bracket and adjust set screw so that when door closes, top bolt guide trigger contacts set screw and allows bolts to extend.



ELECTRIFIED EXIT DEVICE

INSTALLATION EXAMPLE



RECOMMENDED POWER SUPPLIES:

All Command Access exit devices & field installable kits have been thoroughly cycle tested with Command Access power supplies at our factory.

For more information [click here](#) or go to our website



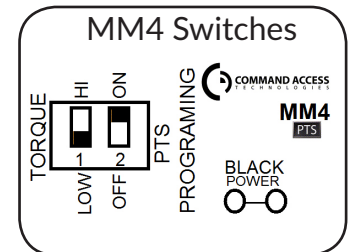
MM4

TECHNICAL INFORMATION



SPECIFICATIONS

- Input Voltage: 24VDC +/- 10%
- Average Latch Retraction Current: 1.3 Amp
- Average Holding Current: 170 mA
- Wire gauge: Minimum 20 gauge



SETTING PTS

****Important Info****

Make sure to set PTS before finishing installation!

Step 1- Press the device push pad to the desired setting. (this can be fully depressed or less than fully depressed).

Step 2- While depressing the push pad, apply power. (i.e. presenting the credential to the reader).

Step 3- Continue to keep pad depressed, the device will beep 6 times. After the beeps have stopped, release the pad and now the adjustment is complete. If not to your liking repeat the three steps. That's all there is to it.

TROUBLESHOOTING & DIAGNOSTICS

BEEPS	EXPLANATION	SOLUTION
2 Beeps	Over Voltage	> 28V unit will shut down. Check voltage & adjust to 24 V.
3 Beeps	Under Voltage	< 22V unit will shut down. Check voltage & adjust to 24 V.
4 Beeps	Failed Sensor	Verify all 3 sensor wires are installed correctly. Replace sensor if problem persists by contacting office.
5 Beeps	Forced Release	Device will automatically re-engage within 5 seconds.
6 Beeps	Push pad is depressed. Device is re-adjusting	Check to make sure the push pad is not stuck or catching on anything.
7 Beeps	Over-travel or mechanical obstruction	If mechanical obstruction, remove & push pad down until beeping stops to reset. If no obstruction, the pad may have been pushed in too far during PTS calibration. Recalibrate with the pad slightly out. If problem persists, verify the magnet is within 1/4" of the sensor at the end of travel.

1