

# Parts Manual

**Prices effective March 1, 2017**

**[adamsrite.com](http://adamsrite.com)**

ASSA ABLOY, the global leader in door opening solutions

Products sold under the Adams Rite brand in the United States of America are warranted free from defects in workmanship and materials under normal use and service.

This warranty does not cover defects or damage arising from improper installation, lack of or improper maintenance, improper storage, shipping and handling, corrosion, erosion, ordinary wear and tear, misuse, abuse, accident, unauthorized service, or use with unauthorized non-Adams Rite products or parts.

This warranty is void if any modification is made to the product, regardless of whether the modification causes or contributes to the alleged defect. All modifications are made at the risk of the party making the modification.

Should any defect of manufacture (in material or workmanship) occur in its products, Adams Rite, upon prompt notification and proof to its satisfaction that the product was defective in manufacture for the use intended by Adams Rite, will at its option, exchange the product, repair the product, or refund the price charged by Adams Rite, FOB factory within the stated time frame listed below.

- All mechanical products for five (5) years from date of manufacture
- Ultraline 7400 Electric Strikes for five (5) years from date of manufacture
- All electrical products for three (3) years from date of manufacture, with the exception of the exit devices with the SE option
- Exit devices with the SE option for one (1) year from date of manufacture. Adams Rite recommends that for optimal performance all exit devices with the SE option are installed and powered using PS-SE power supplies. Installing SE exit devices with PS-SE power supplies extends the warranty to five (5) years from date of manufacture.

### General RMA Procedure

Product repair or replacement, or associated charges, will not be accepted under this warranty unless prior authorization from Adams Rite has been given. Upon receipt of products returned for repair or replacement, Adams Rite will determine whether products qualify for repair or replacement under this warranty. Adams Rite has no liability to pay any costs of repair performed by anyone other than qualified personnel authorized by Adams Rite prior to the work being done.

Written notice of a product or component part believed to be defective as covered by this warranty should be sent to Adams Rite, 10027 S. 51st Street, Suite 102, Phoenix, Arizona 85044 or Customer.Care@assaabloy.com and should include your name and address, an identification of the product or component part and a brief description of the defect. Notice of a product or component part believed to be defective as covered by this warranty may also be accepted over the telephone by Adams Rite, 800.872.3267.

Upon receipt of such notice, if the customer has an account with Adams Rite or a valid credit card, an advance replacement product may be ordered whereby Adams Rite will ship a replacement product to the customer free of charge. If Adams Rite does not receive the original defective product from the customer within 60 days, Adams Rite will charge the customer's account or credit card for the price of the advanced replacement product plus freight costs. Upon inspection of the returned product by Adams Rite, a decision will be made whether or not to charge the customer for the advanced replacement Adams Rite product. This decision will be made solely by Adams Rite in accordance with the provisions of these

Terms. Obsolete products will not be accepted for return. Return Material Authorizations (RMAs) will be closed if the goods are not received within 60 days of issuance.

If Adams Rite receives original defective product from the customer within 60 days of RMA issuance, and if the customer is requesting credit for the defective material, the customer must reference the valid Adams Rite Purchase Order number upon which the product was originally ordered. If the original Purchase Order number is not available, at Adams Rite's option a credit may be issued at the customer's current cost. This decision will be made solely by Adams Rite in accordance with the provisions of these Terms.

Transportation charges and insurance on all returned materials must be prepaid by the purchaser when merchandise is ordered in error. On goods returned for customer convenience, when the purchaser returns materials in compliance with these Terms which are accepted by Adams Rite, the purchaser may be issued a credit for 65% of the purchase price, with 35% charged by Adams Rite for handling and reprocessing. All refunds will be in the form of a credit.

### Cancellation

As an industry leader, Adams Rite is committed to maintaining the highest standard of quality and ensuring strict compliance to industry codes. Adams Rite's proud history of customer service and manufacturing agility allow quick response times to customer's changing needs, which may include special orders or product modifications. Please be advised that all product modifications require special authorization to ensure the order fully meets customer's expectations. Customers are asked to allow for an extended lead time on all special orders. Please note that at Adams Rite's option, product modifications and other special orders cannot be changed, cancelled, or returned once a ship date has been provided on an order acknowledgement by Adams Rite.

Adams Rite prides itself on introducing new, industry-relevant, feature-rich products. Since new solutions will surpass the capabilities of older product lines, historical products may be subsequently discontinued. Every effort will be made to announce new product introductions as well as product discontinuations in a manner that allows customers advanced notice of these events. Once a product line is discontinued orders will be fulfilled in order of receipt, although Adams Rite cannot guarantee all orders can be filled. Repair services and spare parts for discontinued product lines will be available for some reasonable time period. Adams Rite reserves the right to replace discontinued product with an equivalent product as deemed by Adams Rite.

THIS WARRANTY IS IN LIEU OF ALL OTHER EXPRESS WARRANTIES. TO THE EXTENT PERMITTED BY LAW, ALL IMPLIED WARRANTIES ARE LIMITED TO THE DURATION OF THIS WARRANTY. ADAMS RITE IS A DIVISION OF HANCHETT ENTRY SYSTEMS, INC. HANCHETT ENTRY SYSTEMS, INC. SHALL NOT BE LIABLE FOR ANY INCIDENTAL OR CONSEQUENTIAL DAMAGES. SOME STATES DO NOT ALLOW LIMITATIONS ON HOW LONG AN IMPLIED WARRANTY LASTS OR THE EXCLUSION OR LIMITATION OF INCIDENTAL OR CONSEQUENTIAL DAMAGES, SO THE ABOVE LIMITATION OR EXCLUSIONS MAY NOT APPLY TO YOU. THIS WARRANTY GIVES YOU SPECIFIC LEGAL RIGHTS, AND YOU MAY ALSO HAVE OTHER RIGHTS WHICH VARY FROM STATE TO STATE.

# Table of Contents

## General Info

Adams Rite Limited Warranty	<b>2</b>
Table of Contents	<b>3</b>

## Deadlocks

MS1850S Series MS® Deadlock	<b>4</b>
MS1850 Series MS® Accessories	<b>6</b>
2190 Dual Force® Interconnected Deadbolt/Deadlatch	<b>8</b>
2331 Heavy Duty Deadbolt	<b>10</b>
4189/4190 Flush Locksets	<b>12</b>
4430/4431 Flush Locksets	<b>14</b>

## Deadlatches

4300 Steel Hawk® Electrified Deadlatch	<b>16</b>
4781 Two-Point Deadlatch with Paddle	<b>18</b>
4900 Heavy Duty Deadlatch	<b>20</b>

## Exit Devices

3100 Series Surface Vertical Rod Exit Device	<b>22</b>
3300 Series Mortise Exit Device	<b>24</b>
3600 Series Concealed Vertical Rod	<b>26</b>
3700 Series Rim Exit Device	<b>28</b>
3900/8900 Series Surface Concealed Vertical Rod	<b>30</b>
3889 Mullion	<b>32</b>
3890 Mullion	<b>34</b>
8099/8099M Dummy Pushbar	<b>36</b>
8100 Series Surface Vertical Rod	<b>38</b>
8200 Series Surface Vertical Rod	<b>40</b>

8300 Series Mortise Exit Device	<b>42</b>
8400 Series Mortise Exit Device	<b>44</b>
8475 Mortise Mid-Panel Exit Device	<b>46</b>
8500 Series Concealed Vertical Rod	<b>48</b>
8600 Series Concealed Vertical Rod	<b>50</b>
8675 Concealed Vertical Rod Mid-Panel	<b>52</b>
8700 Series Rim Exit Device	<b>54</b>
8800 Series Rim Exit Device	<b>56</b>
Accessories for Exit Devices	<b>58</b>

## Electric Strikes

7100 Electric Strike	<b>60</b>
----------------------	-----------

## Trim

3080 Series Entry Trim	<b>62</b>
3090 eForce® Keyless Entry	<b>64</b>
4550 MS® Deadlock Lever	<b>66</b>
4590 Deadlatch Paddle	<b>68</b>
4591 Deadlatch Paddle	<b>70</b>
4600 Heavy Duty Deadlatch Handles	<b>72</b>

## Cylinders

4024/4025/4026 Cylinder Pulls	<b>74</b>
-------------------------------	-----------

## Accessories & Cylinders

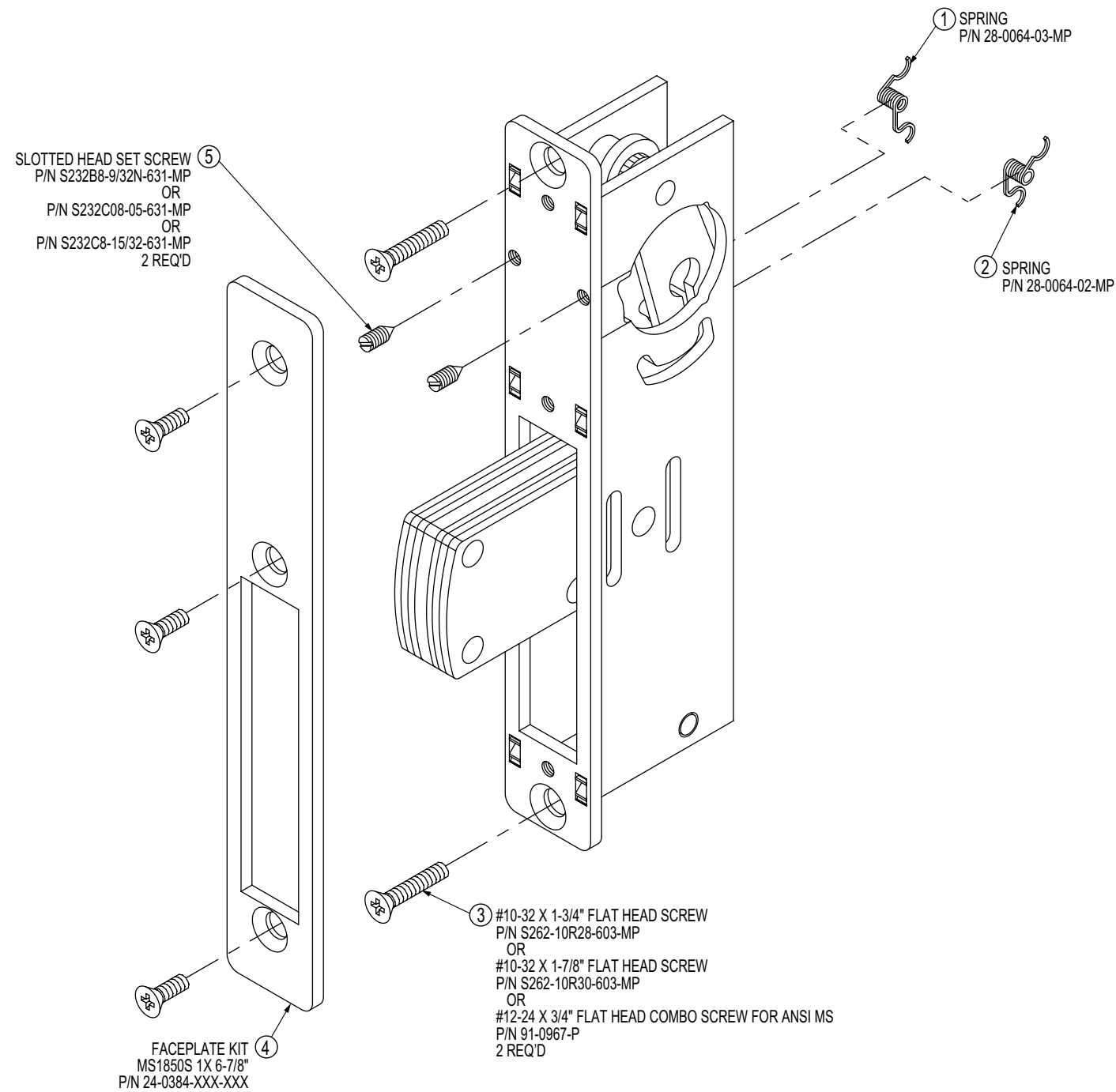
Accessories & Cylinders	<b>76</b>
-------------------------	-----------

# MS1850S

## SERIES MS® DEADLOCK

# MS1850S

## SERIES MS® DEADLOCK



### MS1850S Series MS® Deadlock

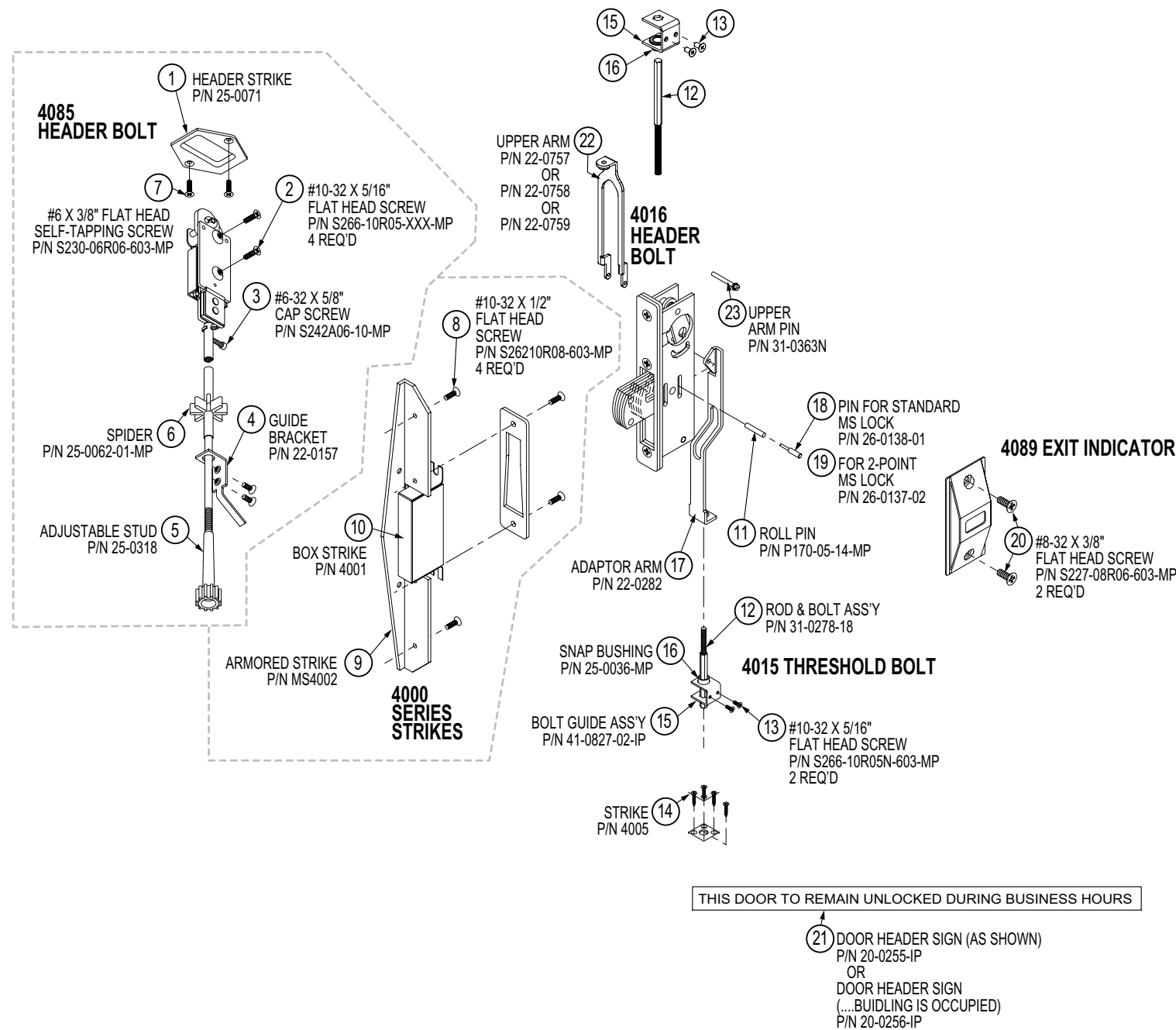
ITEM	PART NUMBER	DESCRIPTION	UNITS PKGD	2017 PRICE
1	28-0064-03-MP	Spring	Pkg. of 10	\$5.00
2	28-0064-02-MP	Spring	Pkg. of 10	\$5.00
3	S262-10R28-603-MP	#10-32 × 1-3/4" flat head screw for 7/8", 31/32" backset	Pkg. of 10	\$6.00
	S262-10R30-603-MP	#10-32 × 1-7/8" flat head screw for 1-1/8" backset	Pkg. of 10	\$7.00
	91-0967-P	#12-24 × 3/4" flathead combo screw (ANSI hollow metal/wood doors)	Each	\$8.00
4	24-0384-010-XXX	MS1850S flat faceplate kit for standard bolt, select 313, 335 or 628 finish	Each	List
	24-0384-110-XXX	MS1850S radius faceplate kit for standard bolt, select 313, 335 or 628 finish	Each	List
	24-0384-210-XXX	MS1850S LH bevel faceplate kit for standard bolt, select 313, 335 or 628 finish	Each	List
	24-0384-310-XXX	MS1850S RH bevel faceplate kit for standard bolt, select 313, 335 or 628 finish	Each	List
	24-0384-410-XXX	MS1850S radius with weatherstrip faceplate kit for standard bolt, select 313, 335 or 628 finish	Each	List
	24-0384-020-XXX	MS1850S flat faceplate kit for hookbolt and short bolt, select 313, 335 or 628 finish	Each	List
	24-0384-120-XXX	MS1850S radius faceplate kit for hookbolt and short bolt, select 313, 335 or 628 finish	Each	List
	24-0384-220-XXX	MS1850S LH bevel faceplate kit for hookbolt and short bolt, select 313, 335 or 628 finish	Each	List
	24-0384-320-XXX	MS1850S RH bevel faceplate kit for hookbolt and short bolt, select 313, 335 or 628 finish	Each	List
	24-0384-420-XXX	MS1850S radius with weatherstrip faceplate kit for hookbolt and short bolt, select 313, 335 or 628 finish	Each	List
5	S232B8-9/32N-631-MP	#8-32 × 9/32" slotted set screw for 7/8" backset	Pkg. of 10	\$18.00
	S232C08-05-631-MP	#8-32 × 5/16" slotted head screw for 31/32" backset	Pkg. of 10	\$9.00
	S232C8-15/32-631-MP	#8-32 × 15/32" slotted set screw for 1-1/8", 1-1/2" backset	Pkg. of 10	\$9.00
NS	80-0180-5	Installation sheet, MS1850S/MS1850A	Each	Email only
NS	80-0180-4	Installation sheet, MS1850SN	Each	Email only

List = Refer to current pricelist  
NS = Not shown

ASSA ABLOY, the global leader in door opening solutions



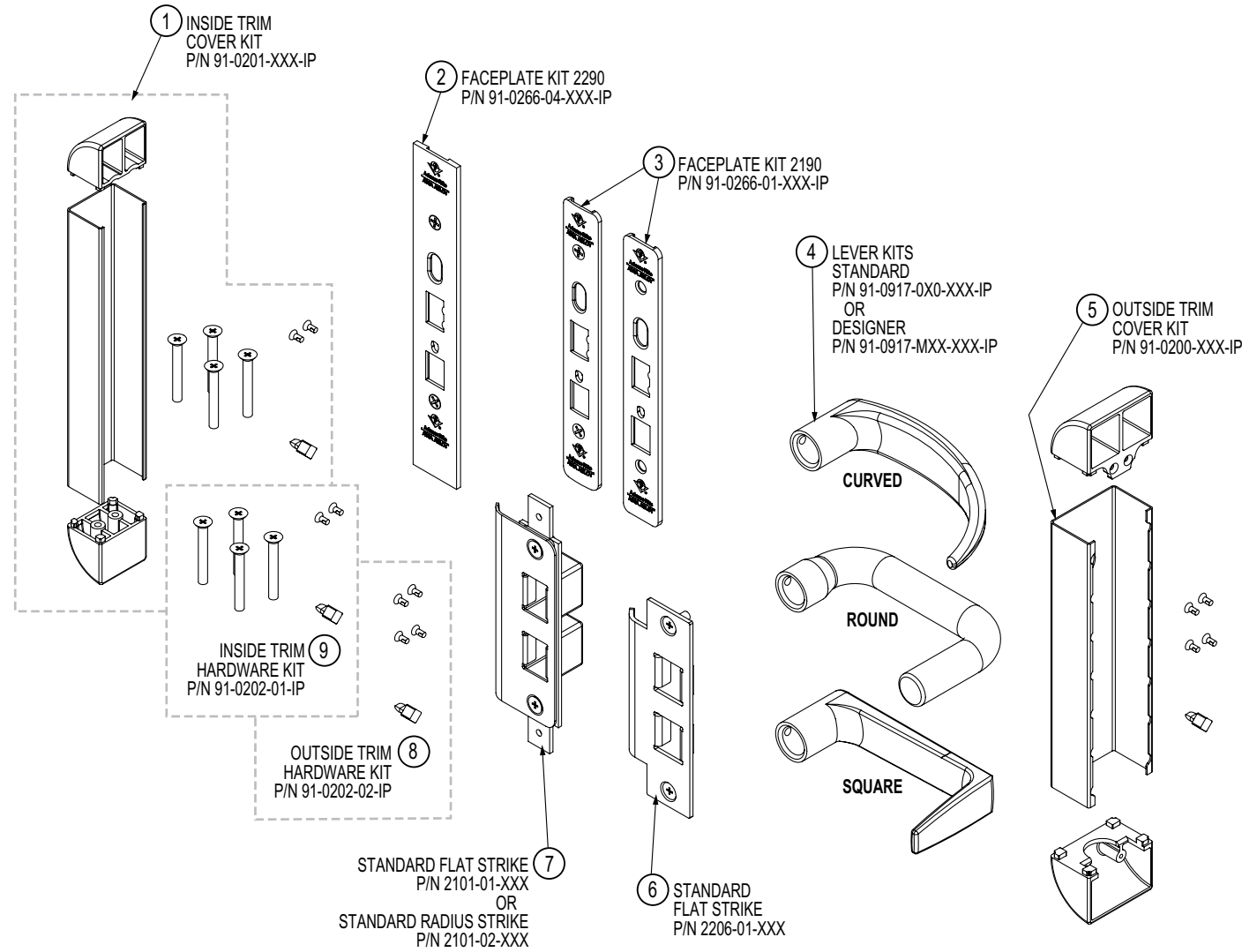
800.872.3267 • Fax 800.232.7329  
10027 S. 51st Street, Ste 102  
Phoenix, Arizona 85044  
www.adamsrite.com



**MS1850 Series MS® Accessories**

ITEM	PART NUMBER	DESCRIPTION	UNITS PKGD	2017 PRICE
<b>4085 Header Bolt</b>				
1	25-0071	Header strike	Each	\$4.00
2	S266-10R05N-119-MP	#10-32 × 5/16" flat head screw, 119 finish	Pkg. of 10	\$11.00
	S266-10R05N-603-MP	#10-32 × 5/16" flat head screw, 603 finish	Pkg. of 10	\$9.00
3	S242A06-10-MP	#6-32 × 5/8" cap screw	Pkg. of 10	\$5.00
4	22-0157	Guide bracket	Each	\$5.00
5	25-0318	Adjustable stud	Each	\$5.00
6	25-0062-01-MP	Spider	Pkg. of 10	\$19.00
7	S230-06R06-603-MP	#6-32 × 3/8" flat head self-tapping screw	Pkg. of 10	\$5.00
<b>4000 Series Strikes</b>				
8	S262-10R08-603-MP	#10-32 × 1/2" flat head screw	Pkg. of 10	\$6.00
9	MS4002	Armored strike, select 313, 335 or 628 finish	Each	List
10	4001	Box strike, select 313, 335 or 628 finish	Each	List
<b>4015 Threshold Bolt</b>				
11	P170-05-14-MP	Roll pin	Pkg. of 10	\$7.00
12	31-0278-18	Rod and bolt assembly, 4016 (cylinder height 53" max)	Each	\$23.00
13	S266-10R05N-603-MP	#10-32 × 5/16" flat head screw, 603 finish	Pkg. of 10	\$9.00
14	4005	Strike for 4015 Threshold Bolt	Each	List
15	41-0827-02-IP	Bolt guide assembly kit	Each	\$8.00
16	25-0036-MP	Snap bushing for 4016 Header Bolt	Pkg. of 10	\$16.00
17	22-0282	Adaptor arm, 4015, 1870, 1870HM, MS1837, 1877	Each	\$27.00
<b>4089 Exit Indicator</b>				
18	26-0138-01	Pin for standard MS deadlock	Each	\$4.00
19	26-0137-02	Pin for MS two-point (MS deadlock × 4015 configuration)	Each	\$5.00
20	S227-08R06-603-MP	#8-32 × 3/8" flat head screw	Pk. of 10	\$4.00
21	20-0255-IP	Header sign (...DURING BUSINESS HOURS)	Each	List
	20-0256-IP	Header sign (...BUILDING IS OCCUPIED)	Each	List
<b>4016 Header Bolt</b>				
22	22-0757	Upper arm 1-1/8" backset	Each	\$26.00
	22-0758	Upper arm 1-1/2" backset	Each	\$26.00
	22-0759	Upper arm 31/32" backset	Each	\$26.00
23	31-0363N	Upper arm pin assembly	Each	\$5.00

List = Refer to current pricelist



## 2190 Dual Force® Interconnected Deadbolt/Deadlatch

ITEM	PART NUMBER	DESCRIPTION	UNITS PKGD	2017 PRICE
1	91-0201-10B-IP	Inside trim cover kit, 10B (613) finish	Each	\$50.00
	91-0201-US32D-IP	Inside trim cover kit, US32D (630) finish	Each	\$50.00
2	91-0266-04-313-IP	Faceplate kit for 2290, 313 finish	Each	List
	91-0266-04-628-IP	Faceplate kit for 2290, 628 finish	Each	List
3	91-0266-01-313-IP	Faceplate kit for 2190, 313 finish	Each	List
	91-0266-01-628-IP	Faceplate kit for 2190, 628 finish	Each	List
4	91-0197-010-10B-IP	Curved lever kit, 10B (613) finish	Each	\$80.00
	91-0197-010-US32D-IP	Curved lever kit, US32D (630) finish	Each	\$80.00
	91-0197-020-10B-IP	Round lever kit, 10B (613) finish	Each	\$80.00
	91-0197-020-US32D-IP	Round lever kit, US32D (630) finish	Each	\$80.00
	91-0197-030-10B-IP	Square lever kit, 10B (613) finish	Each	\$80.00
	91-0197-030-US32D-IP	Square lever kit, US32D (630) finish	Each	\$80.00
	91-0197-MD0-10B-IP	Designer lever kit, Centro Series MD, 10B (613) finish	Each	\$125.00
	91-0197-MD0-US32D-IP	Designer lever kit, Centro Series MD, US32D (630) finish	Each	\$125.00
	91-0197-ME0-10B-IP	Designer lever kit, Aventura Series ME, 10B (613) finish	Each	\$125.00
	91-0197-ME0-US32D-IP	Designer lever kit, Aventura Series ME, US32D (630) finish	Each	\$125.00
	91-0197-MG0-10B-IP	Designer lever kit, Aventura Series MG, 10B (613) finish	Each	\$125.00
	91-0197-MG0-US32D-IP	Designer lever kit, Aventura Series MG, US32D (630) finish	Each	\$125.00
	91-0197-MI0-10B-IP	Designer lever kit, Aventura Series MI, 10B (613) finish	Each	\$125.00
	91-0197-MI0-US32D-IP	Designer lever kit, Aventura Series MI, US32D (630) finish	Each	\$125.00
	91-0197-MJ0-10B-IP	Designer lever kit, Centro Series MJ, 10B (613) finish	Each	\$125.00
	91-0197-MJ0-US32D-IP	Designer lever kit, Centro Series MJ, US32D (630) finish	Each	\$125.00
	91-0197-MN7-10B-IP	Designer lever kit, Odeon Series MN, left hand, 10B (613) finish	Each	\$125.00
	91-0197-MN7-US32D-IP	Designer lever kit, Odeon Series MN, left hand, US32D (630) finish	Each	\$125.00
91-0197-MN8-10B-IP	Designer lever kit, Odeon Series MN, right hand, 10B (613) finish	Each	\$125.00	
91-0197-MN8-US32D-IP	Designer lever kit, Odeon Series MN, right hand, US32D (630) finish	Each	\$125.00	
91-0197-MV7-10B-IP	Designer lever kit, Odeon Series MV, left hand, 10B (613) finish	Each	\$125.00	
91-0197-MV7-US32D-IP	Designer lever kit, Odeon Series MV, left hand, US32D (630) finish	Each	\$125.00	
91-0197-MV8-10B-IP	Designer lever kit, Odeon Series MV, right hand, 10B (613) finish	Each	\$125.00	
91-0197-MV8-US32D-IP	Designer lever kit, Odeon Series MV, right hand, US32D (630) finish	Each	\$125.00	
91-0197-MW0-10B-IP	Designer lever kit, Aventura Series MW, 10B (613) finish	Each	\$125.00	
91-0197-MW0-US32D-IP	Designer lever kit, Aventura Series MW, US32D (630) finish	Each	\$125.00	
5	91-0200-10B-IP	Outside trim cover kit, 10B (613) finish	Each	\$55.00
	91-0200-US32D-IP	Outside trim cover kit, US32D (630) finish	Each	\$55.00
6	2206-01-121	Standard flat strike with dust box, 2290, 121 finish	Each	List
	2206-01-630	Standard flat strike with dust box, 2290, US32D (630) finish	Each	List
7	2101-01-121	Standard flat strike with dust box, 2190, 121 finish	Each	List
	2101-01-630	Standard flat strike with dust box, 2190, US32D (630) finish	Each	List
	2101-02-121	Standard radius strike with dust box, 2190, 121 finish	Each	List
7	2101-02-121	Standard radius strike with dust box, 2190, 121 finish	Each	List
	2101-02-630	Standard radius strike with dust box, 2190, US32D (630) finish	Each	List
8	91-0202-02-IP	Outside trim hardware kit, 2190	Each	\$10.00
9	91-0202-01-IP	Inside trim hardware kit, 2190	Each	\$8.00
NS	80-0180-410	Installation sheet	Each	Email only
NS	80-0180-411-01	Template - inside trim	Each	\$10.00
NS	80-0180-411-02	Template - outside trim	Each	\$10.00

List = Refer to current pricelist  
NS = Not shown

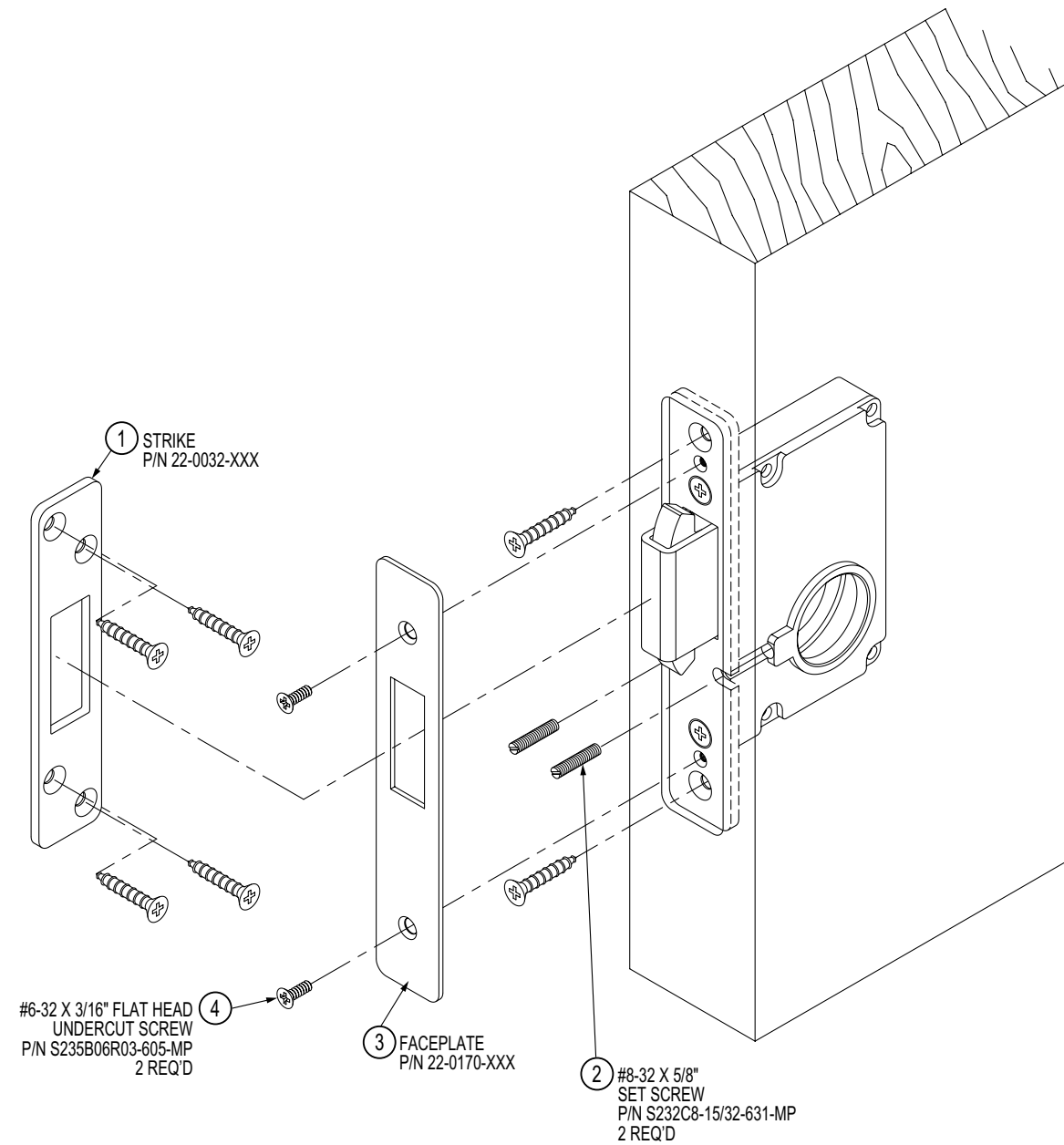
ASSA ABLOY, the global leader in door opening solutions



800.872.3267 • Fax 800.232.7329  
10027 S. 51st Street, Ste 102  
Phoenix, Arizona 85044  
www.adamsrite.com

# 2331 HEAVY DUTY DEADLOCK

# 2331 HEAVY DUTY DEADLOCK



## 2331 Heavy Duty Deadlock

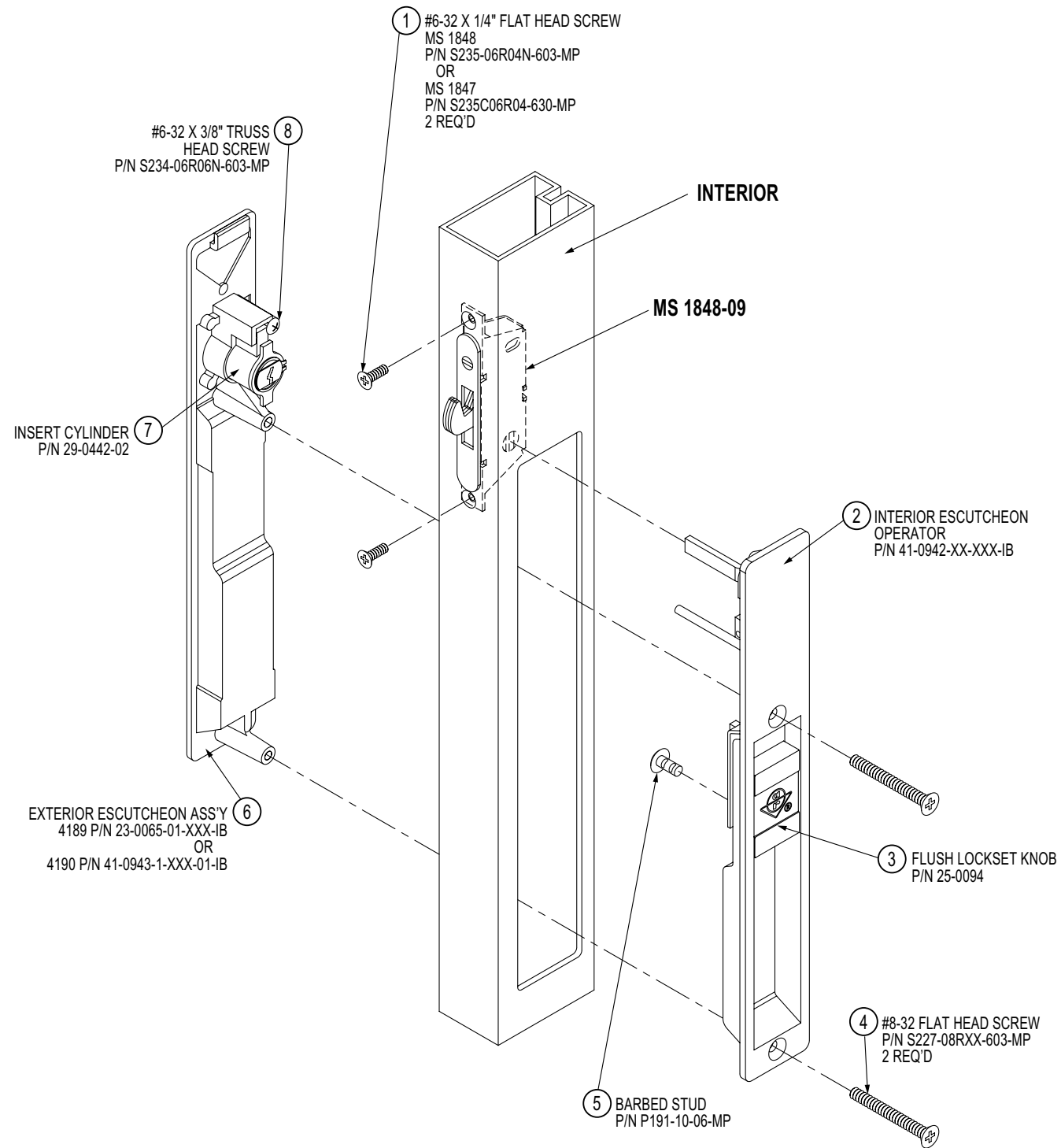
ITEM	PART NUMBER	DESCRIPTION	UNITS PKGD	2017 PRICE
1	22-0032-121	Strike, 121 finish	Each	List
	22-0032-605	Strike, US3 (605) finish	Each	List
	22-0032-625	Strike, US26 (625) finish	Each	List
	22-0032-626	Strike, US26D (626) finish	Each	List
2	S232C8-15/32-631-MP	#8-32 x 15/32" slotted set screw	Pkg. of 10	\$9.00
3	22-0170-121	Faceplate kit with screws, 121 finish	Each	List
	22-0170-605	Faceplate kit with screws, US3 (605) finish	Each	List
	22-0170-625	Faceplate kit with screws, US25D (625) finish	Each	List
4	S235B06R03-605-MP	#6-32 x 3/16" flat head undercut screw	Each	\$6.00
NS	4066-03-130	Mortise thumbturn, 130 finish	Each	List
	4066-03-313	Mortise thumbturn, 313 finish	Each	List
	4066-03-335	Mortise thumbturn, 335 finish	Each	List

List = Refer to current pricelist  
NS = Not shown

ASSA ABLOY, the global leader in door opening solutions

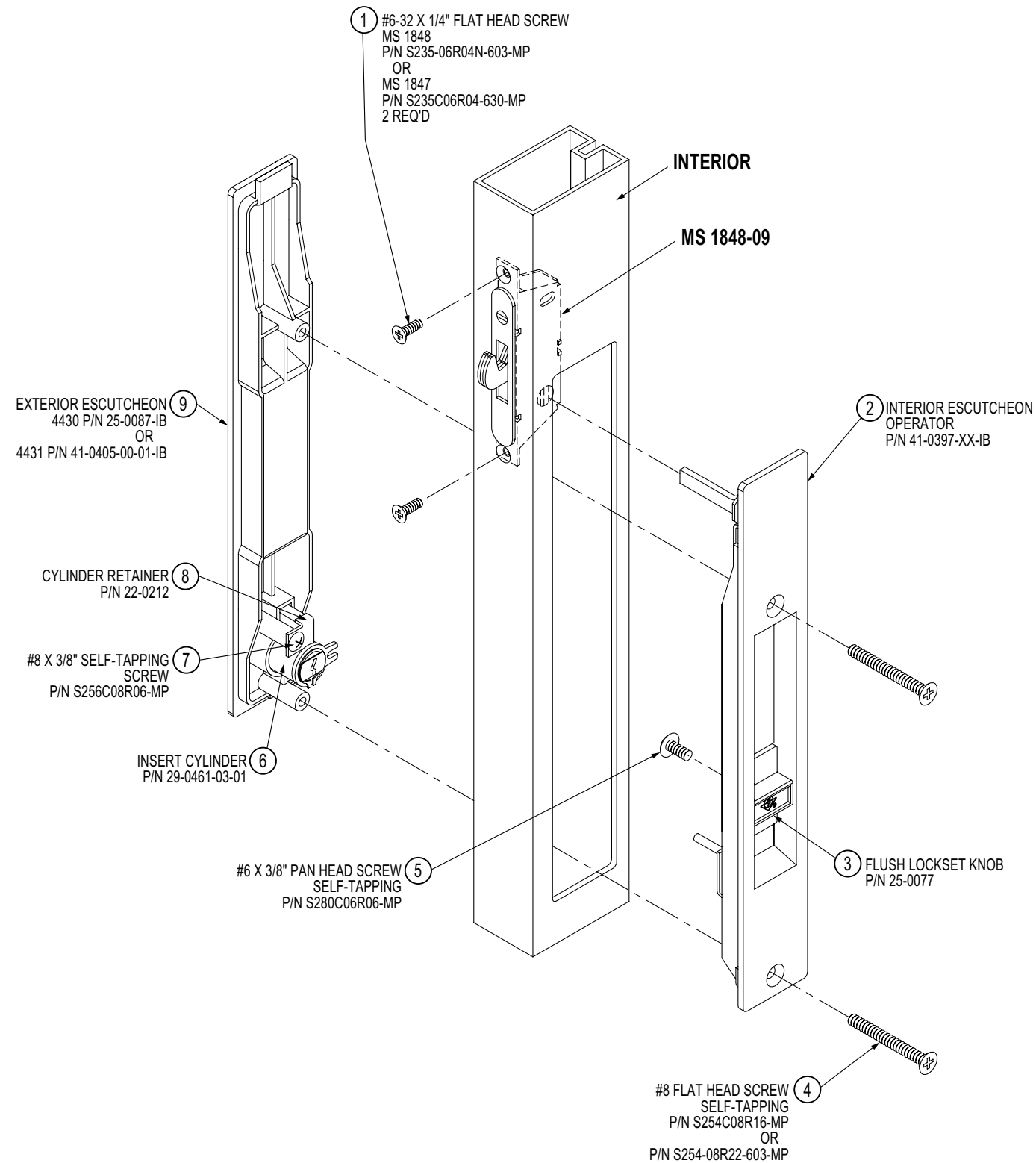


800.872.3267 • Fax 800.232.7329  
10027 S. 51st Street, Ste 102  
Phoenix, Arizona 85044  
www.adamsrite.com



**4189/4190 Flush Locksets**

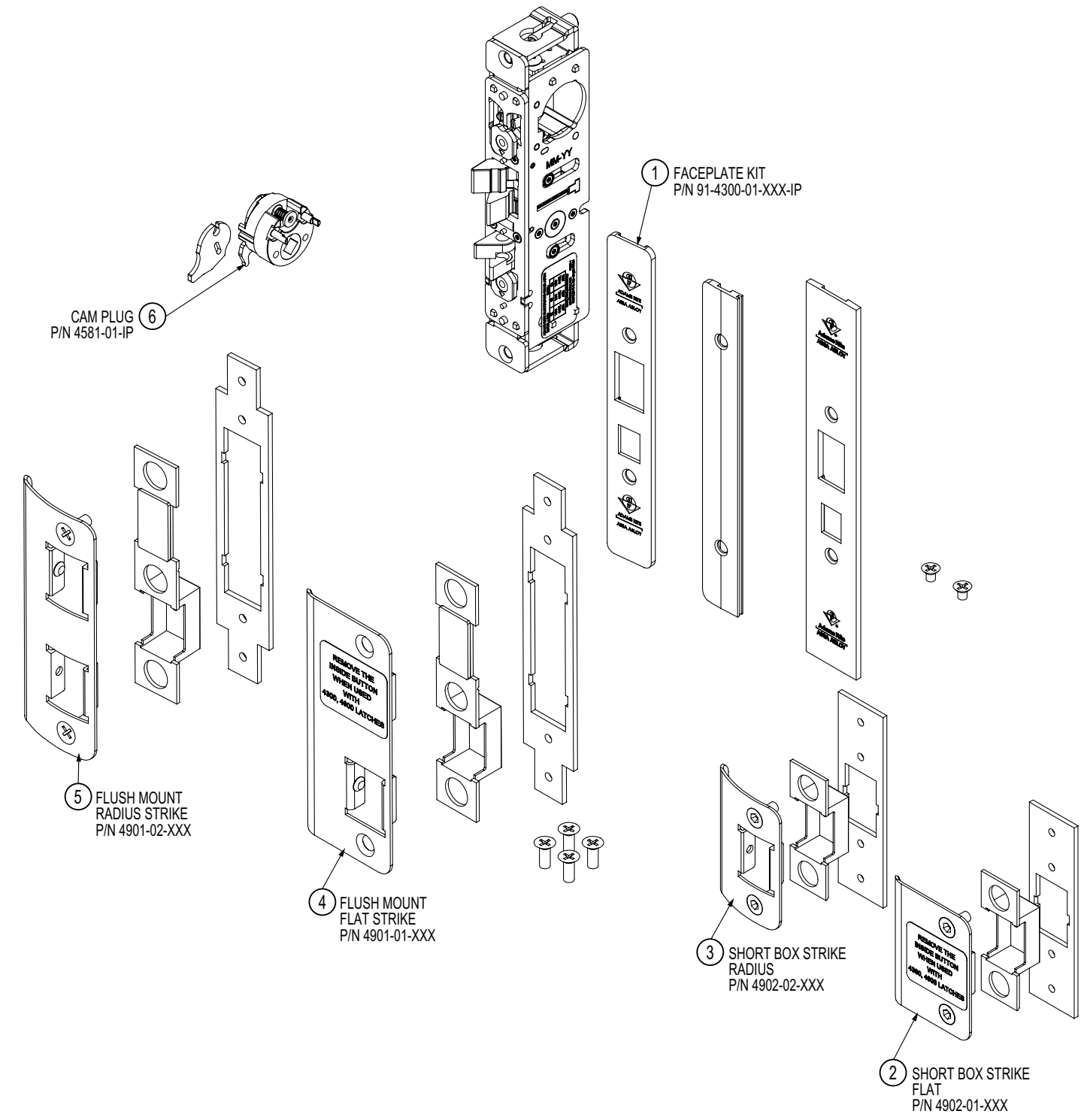
ITEM	PART NUMBER	DESCRIPTION	UNITS PKGD	2017 PRICE
1	S235-06R04N-603-MP	#6-32 x 1/4" flat head screw	Pkg. of 10	\$5.00
	S235C06R04-630-MP	#6-32 x 1/4" flat head screw	Pkg. of 10	\$10.00
2	41-0942-01-119-IB	Interior escutcheon operator, 4189, 1" - 1-5/8" door, 119 finish	Each	\$38.00
	41-0942-01-121-IB	Interior escutcheon operator, 4189, 1" - 1-5/8" door, 121 finish	Each	\$38.00
	41-0942-01-130-IB	Interior escutcheon operator, 4189, 1" - 1-5/8" door, 130 finish	Each	\$38.00
	41-0942-02-119-IB	Interior escutcheon operator, 4189, 1-11/16" - 2" door, 119 finish	Each	\$43.00
	41-0942-09-119-IB	Interior escutcheon operator, 4190, 1" - 1-3/8" door, 119 finish	Each	\$54.00
	41-0942-09-130-IB	Interior escutcheon operator, 4190, 1" - 1-3/8" door, 130 finish	Each	\$54.00
	41-0942-10-121-IB	Interior escutcheon operator, 4190, 1-7/16" - 1-5/8" door, 121 finish	Each	\$54.00
	41-0942-11-119-IB	Interior escutcheon operator, 4190, 1-11/16" - 2" door, 119 finish	Each	\$65.00
3	25-0094	Flush lockset knob	Each	\$4.00
	S227-08R12-603-MP	#8 x 3/4" flat head self-tapping screw	Pkg. of 10	\$4.00
4	S227-08R16-603-MP	#8 x 1" flat head self-tapping screw	Pkg. of 10	\$5.00
	S227-08R22-603-MP	#8 x 1-3/8" flat head self-tapping screw	Pkg. of 10	\$5.00
5	P191-10-06-MP	Barbed stud	Pkg. of 10	\$11.00
	23-0065-01-119IB	Exterior escutcheon, 4189, 4195, 119 finish	Each	\$28.00
6	23-0065-01-121IB	Exterior escutcheon, 4189, 4195, 121 finish	Each	\$28.00
	23-0065-01-130IB	Exterior escutcheon, 4189, 4195, 130 finish	Each	\$28.00
	41-0943-1-119-01-IB	Exterior escutcheon, 4190 Schlage "C", 119 finish	Each	\$54.00
7	41-0943-1-130-01-IB	Exterior escutcheon, 4190 Schlage "C", 130 finish	Each	\$54.00
	29-0442-02	Insert cylinder with 2 keys, Schlage "C" keyway	Each	\$27.00
8	S234-06R06N-603-MP	#6-32 x 3/8" truss head screw	Pkg. of 10	\$7.00
	23-0066-02-119IB	Interior escutcheon, 4195, 119 finish	Each	\$28.00
NS	23-0066-02-121IB	Interior escutcheon, 4195, 121 finish	Each	\$28.00
	23-0066-02-130IB	Interior escutcheon, 4195, 130 finish	Each	\$28.00



**4430/4431 Flush Locksets**

ITEM	PART NUMBER	DESCRIPTION	UNITS PKGD	2017 PRICE
<b>1</b>	S235-06R04N-603-MP	#6-32 x 1/4" flat head screw	Pkg. of 10	\$5.00
	S235C06R04-630-MP	#6-32 x 1/4" flat head screw	Pkg. of 10	\$10.00
<b>2</b>	41-0397-01-IB	Interior escutcheon operator, 1" - 1-5/16" door	Each	\$42.00
	41-0397-02-IB	Interior escutcheon operator, 1-3/8" - 1-5/8" door	Each	\$42.00
	41-0397-06-IB	Interior escutcheon operator, 1-3/4" - 2" door	Each	\$42.00
<b>3</b>	25-0077	Flush lockset knob	Each	\$4.00
<b>4</b>	S254C08R16-MP	#8 x 1" flat head self-tapping screw	Pkg. of 10	\$10.00
	S254-08R22-603-MP	#8 x 1-3/8" flat head self tapping screw	Pkg. of 10	\$7.00
<b>5</b>	S280C06R06-MP	#6 x 3/8" pan head self-tapping screw	Pkg. of 10	\$5.00
<b>6</b>	29-0461-03-01	Insert cylinder with 2 keys, Schlage "C" keyway	Each	\$27.00
<b>7</b>	S256C08R06-MP	#8 x 3/8" self-tapping screw	Pkg. of 10	\$7.00
<b>8</b>	22-0212	Cylinder retainer	Each	\$4.00
<b>9</b>	25-0087-IB	Exterior escutcheon for 4430	Each	\$13.00
	41-0405-00-01-IB	Exterior escutcheon, 4431 Schlage "C" keyway	Each	\$42.00
<b>NS</b>	25-0088-IB	Interior escutcheon, 4432	Each	\$13.00
<b>NS</b>	25-0087-IB	Exterior escutcheon, 4432	Each	\$13.00





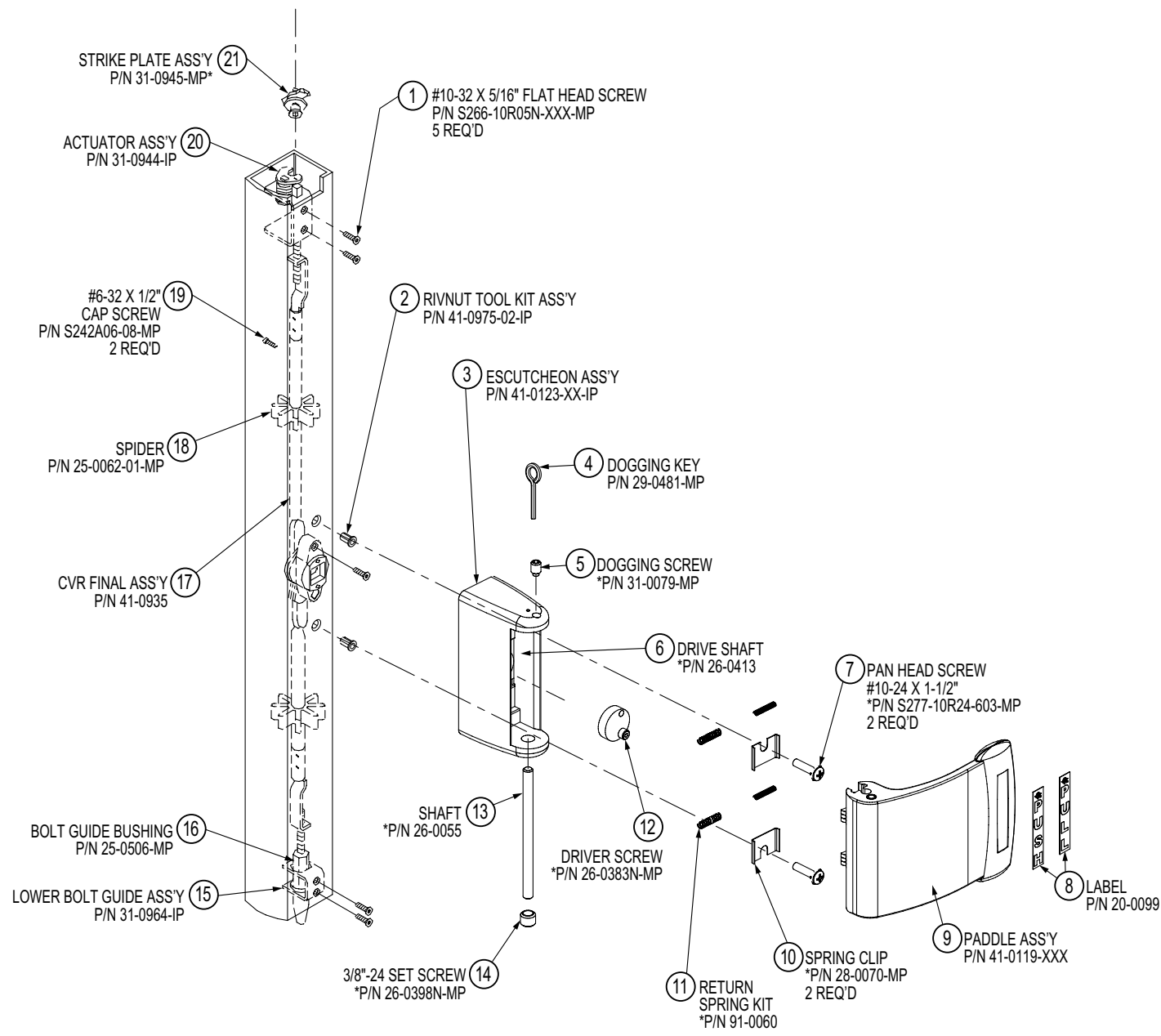
### 4300 Steel Hawk® Electrified Deadlatch

ITEM	PART NUMBER	DESCRIPTION	UNITS PKGD	2017 PRICE
1	91-4300-01-313-IP	Faceplate kit, 313 finish	Each	\$18.00
	91-4300-01-335-IP	Faceplate kit, 335 finish	Each	\$18.00
	91-4300-01-628-IP	Faceplate kit, 628 finish	Each	\$18.00
2	4902-01-119	Short box strike, flat with dust box, mounting plate, 119 finish	Each	List
	4902-01-121	Short box strike, flat with dust box, mounting plate, 121 finish	Each	List
	4902-01-630	Short box strike, flat with dust box, mounting plate, US32D (630) finish	Each	List
3	4902-02-119	Short box strike, radius with dust box, mounting plate, 119 finish	Each	List
	4902-02-121	Short box strike, radius with dust box, mounting plate, 121 finish	Each	List
	4902-02-630	Short box strike, radius with dust box, mounting plate, US32D (630) finish	Each	List
4	4901-01-119	Flush mount flat strike mortised with dust box, 119 finish	Each	List
	4901-01-121	Flush mount flat strike mortised with dust box, 121 finish	Each	List
	4901-01-630	Flush mount flat strike mortised with dust box, US32D (630) finish	Each	List
5	4901-02-119	Flush mount radius strike mortised with dust box, 119 finish	Each	List
	4901-02-121	Flush mount radius strike mortised with dust box, 121 finish	Each	List
	4901-02-630	Flush mount radius strike mortised with dust box, US32D (630) finish	Each	List
6	4581-01-IP	Cam Plug 1-3/4"	Each	List
NS	4304-121	Surface mount strike, 121 finish	Each	List
	4304-630	Surface mount strike, US32D (630) finish	Each	List
NS	80-0180-421	Installation sheet	Each	Email only

List = Refer to current pricelist  
NS = Not shown

# 4781 TWO-POINT DEADLATCH WITH PADDLE

# 4781 TWO-POINT DEADLATCH WITH PADDLE



\* INCLUDED IN ESCUTCHEON ASS'Y  
P/N 41-0123-XX-IP OR AVAILABLE SEPERATLY

## 4781 Two-Point Deadlatch with Paddle

ITEM	PART NUMBER	DESCRIPTION	UNITS PKGD	2017 PRICE
1	S266-10R05N-119-MP	#10-32 x 5/16" flat head screw, 119 finish	Pkg. of 10	\$11.00
	S266-10R05N-603-MP	#10-32 x 5/16" flat head screw, 603 finish	Pkg. of 10	\$9.00
2	41-0975-02-IP	Rivnut tool kit assembly	Each	\$11.00
3	41-0123-02-IP	Escutcheon assembly, "PUSH" to left, comes complete with items 13-16, 19-21, 23 below	Each	\$107.00
	41-0123-04-IP	Escutcheon assembly, "PUSH" to right, comes complete with items 13-16, 19-21, 23 below	Each	\$107.00
4	29-0481-MP	Dogging key	Pkg. of 10	\$28.00
5	31-0079-MP	Dogging screw	Pkg. of 10	\$25.00
6	26-0413	Drive shaft	Each	\$11.00
7	S277-10R24-603-MP	#10-24 x 1-1/2" pan head screw	Pkg. of 10	\$8.00
8	20-0099	"PUSH" & "PULL" Indicator Label	Each	\$4.00
9	41-0119-313	Paddle assembly, 313 finish	Each	\$54.00
	41-0119-335	Paddle assembly, 335 finish	Each	\$54.00
	41-0119-628	Paddle assembly, 628 finish	Each	\$54.00
10	28-0070-MP	Spring clip	Pkg. of 10	\$5.00
11	91-0060	Return spring kit, includes all four springs	Pkg. of 4	\$7.00
12	26-0383N-MP	Driver screw	Pkg. of 10	\$65.00
13	26-0055	Shaft	Each	\$4.00
14	26-0398N-MP	3/8"-24 set screw	Pkg. of 10	\$24.00
15	31-0964-IP	Lower bolt guide assembly	Each	\$7.00
16	25-0506-MP	Bolt guide bushing	Pkg. of 10	\$7.00
17	41-0935	CVR final assembly, complete with bolts	Each	\$150.00
18	25-0062-01-MP	Spider	Pkg. of 10	\$19.00
19	S242A06-08-MP	#6-32 x 1/2" cap screw, rod piercing	Pkg. of 10	\$10.00
20	31-0944-IP	Actuator, top assembly	Each	\$29.00
21	31-0945	Strike plate assembly	Each	\$19.00
	31-0945-MP	Strike plate assembly multipack	Pkg. of 10	\$180.00
NS	80-0180-128	Instruction sheet, 4781	Each	Email only
NS	80-0180-133	Dogging instruction sheet, 4781	Each	Email only

NS = Not shown

ASSA ABLOY, the global leader in door opening solutions



800.872.3267 • Fax 800.232.7329  
10027 S. 51st Street, Ste 102  
Phoenix, Arizona 85044  
www.adamsrite.com

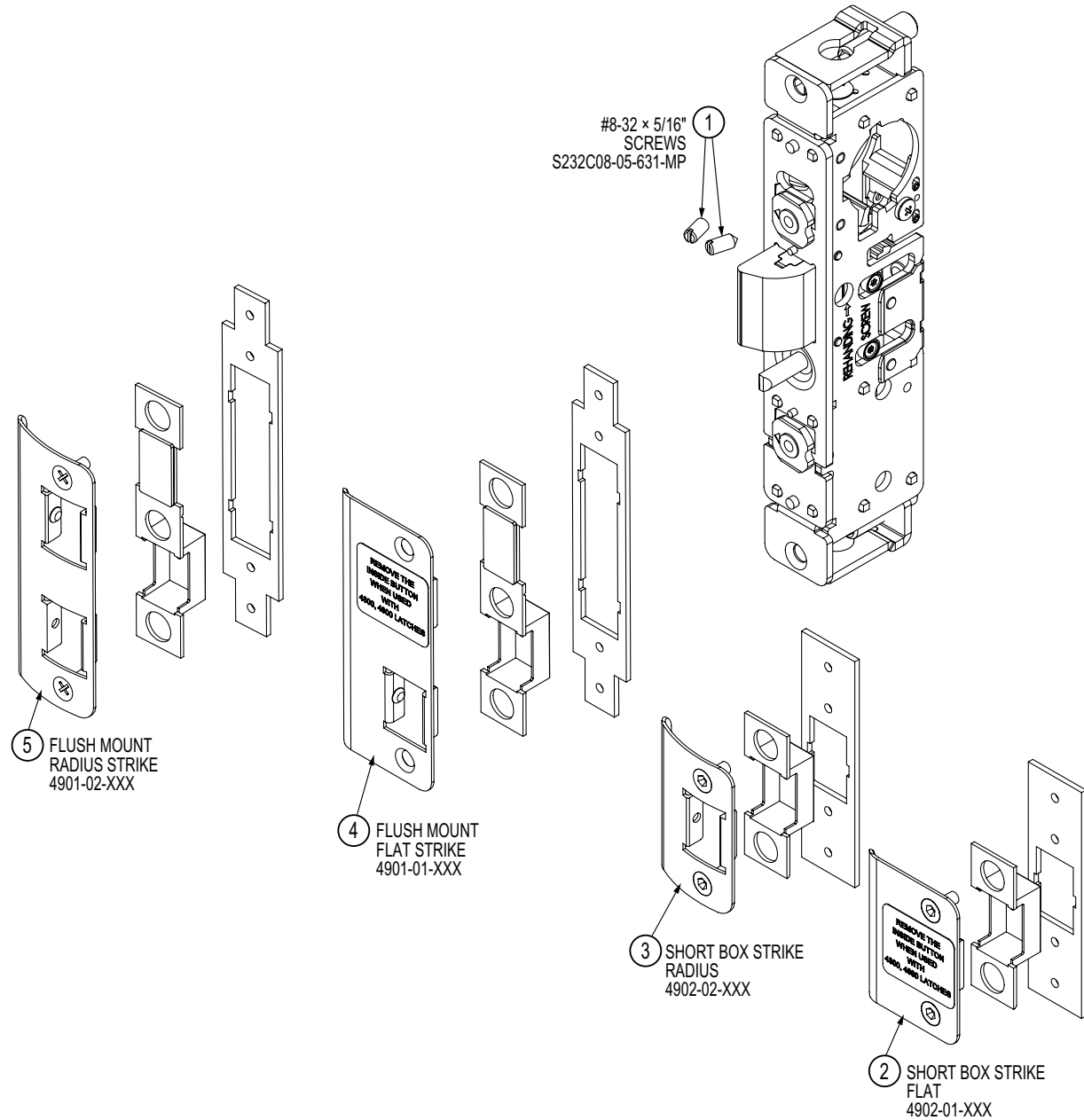
# 4900 HEAVY DUTY DEADLATCH

# 4900 HEAVY DUTY DEADLATCH

## 4900 Heavy Duty Deadlatch

ITEM	PART NUMBER	DESCRIPTION	UNITS PKGD	2017 PRICE
1	S232C08-05-631-MP	#8-32 x 5/16" slotted head screw for 31/32" backset	Pkg. of 10	\$9.00
	4902-01-119	Short box strike, flat with dust box, mounting plate, 119 finish	Each	List
2	4902-01-121	Short box strike, flat with dust box, mounting plate, 121 finish	Each	List
	4902-01-630	Short box strike, flat with dust box, mounting plate, US32D (630) finish	Each	List
3	4902-02-119	Short box strike, radius with dust box, mounting plate, 119 finish	Each	List
	4902-02-121	Short box strike, radius with dust box, mounting plate, 121 finish	Each	List
4	4902-02-630	Short box strike, radius with dust box, mounting plate, US32D (630) finish	Each	List
	4901-01-119	Flush mount flat strike mortised with dust box, 119 finish	Each	List
5	4901-01-121	Flush mount flat strike mortised with dust box, 121 finish	Each	List
	4901-01-630	Flush mount flat strike mortised with dust box, US32D (630) finish	Each	List
NS	4901-02-119	Flush mount radius strike mortised with dust box, 119 finish	Each	List
	4901-02-121	Flush mount radius strike mortised with dust box, 121 finish	Each	List
NS	4901-02-630	Flush mount radius strike mortised with dust box, US32D (630) finish	Each	List
	4506-02-630-IP	Strike for use with 4920AN	Each	List
NS	91-4900-01-628-IP	Loose parts kit, 4900 faceplate	Each	\$22.00
	91-4920-02-628-IP	Loose parts kit, 4920AN ANSI faceplate	Each	\$22.00

List = Refer to current pricelist  
NS = Not shown



ASSA ABLOY, the global leader in door opening solutions



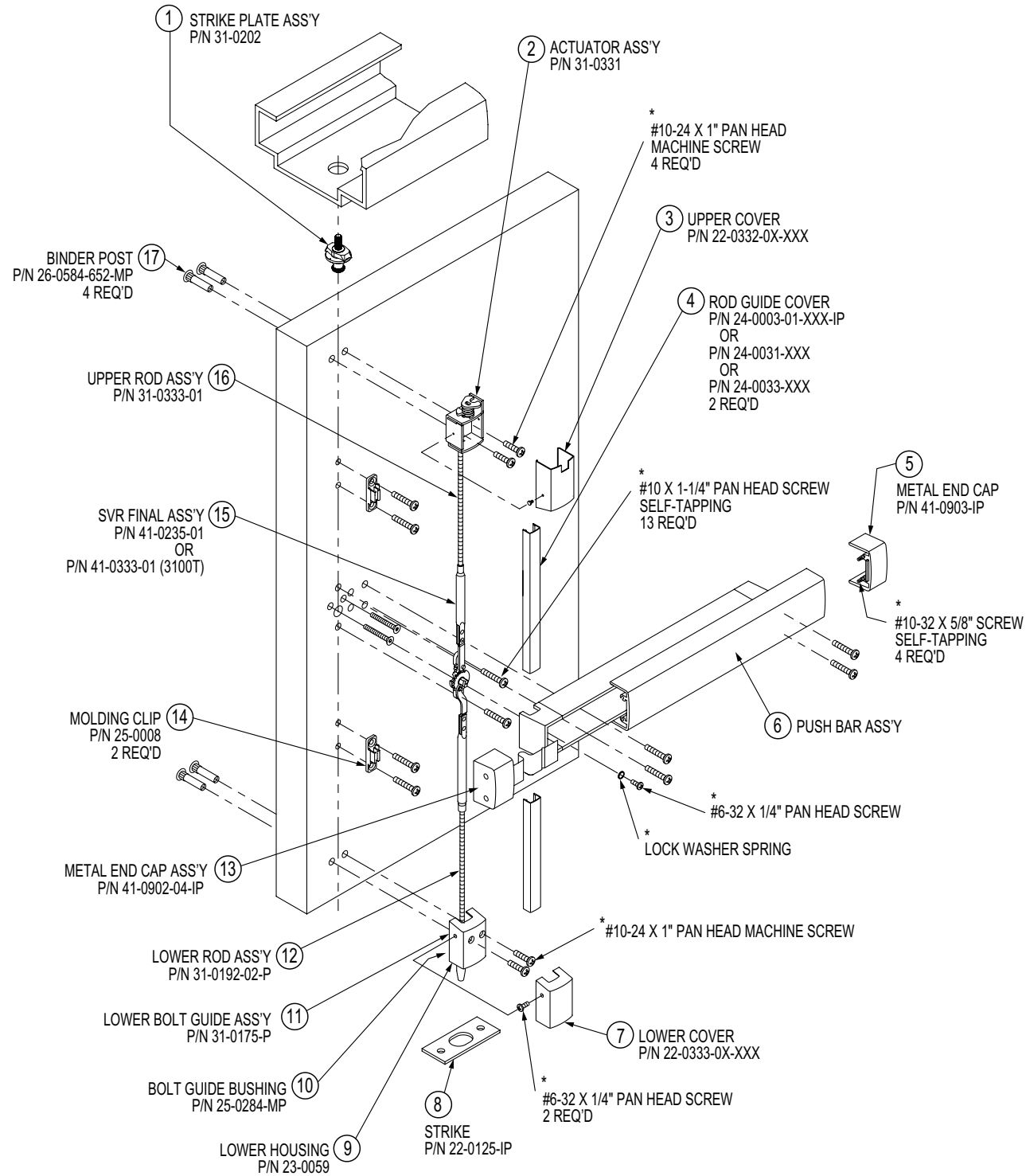
800.872.3267 • Fax 800.232.7329  
10027 S. 51st Street, Ste 102  
Phoenix, Arizona 85044  
www.adamsrite.com

# 3100 Series

## SURFACE VERTICAL ROD EXIT DEVICE

# 3100 Series

## SURFACE VERTICAL ROD EXIT DEVICE



\* INCLUDED IN HARDWARE PACK  
P/N 91-0831-01-XXX

### 3100 Series Surface Vertical Rod Exit Device (Including 3100T)

ITEM	PART NUMBER	DESCRIPTION	UNITS PKGD	2017 PRICE
1	31-0202	Strike plate assembly	Each	\$28.00
2	31-0331	Actuator assembly	Each	\$43.00
3	22-0332-01-313	Upper cover, 313 finish	Each	\$27.00
	22-0332-01-335	Upper cover, 335 finish	Each	\$27.00
	22-0332-01-628	Upper cover, 628 finish	Each	\$27.00
	22-0332-02-605	Upper cover, US3 (605) finish	Each	\$60.00
	22-0332-02-606	Upper cover, US4 (606) finish	Each	\$60.00
	22-0332-04-629	Upper cover, US32 (629) finish	Each	\$50.00
	22-0332-04-630	Upper cover, US32D (630) finish	Each	\$50.00
4	24-0003-01-313-IP	Rod guide cover, 313 finish	Each	\$59.00
	24-0003-01-335	Rod guide cover, 335 finish	Each	\$59.00
	24-0003-01-628	Rod guide cover, 628 finish	Each	\$59.00
	24-0031-605	Rod guide cover, US3 (605) finish	Each	\$180.00
	24-0031-606	Rod guide cover, US4 (606) finish	Each	\$180.00
	24-0033-629	Rod guide cover, US32 (629) finish	Each	\$97.00
	24-0033-630	Rod guide cover, US32D (630) finish	Each	\$97.00
5	41-0903-IP	Metal end cap assembly, hinge end	Each	\$20.00
6	3100 PUSH BAR (-PB) - 313, 335, 628 FINISH	Push bar assembly: order by exit device series (3100), door opening width and 313, 335, or 628 finish	Each	\$124.00
	3100 PUSH BAR (-PB) - 630 FINISH	Push bar assembly: order by exit device series (3100), door opening width and US32D (630) finish	Each	\$332.00
	3100 PUSH BAR (-PB) - 605, 606, 629 FINISH	Push bar assembly: order by exit device series (3100), door opening width, and US3 (605), US4 (606), US32 (629) finishes	Each	\$375.00
7	22-0333-01-313	Lower cover, 313 finish	Each	\$27.00
	22-0333-01-628	Lower cover, 628 finish	Each	\$27.00
	22-0333-02-605	Lower cover, US3 (605) finish	Each	\$59.00
	22-0333-02-606	Lower cover, US4 (606) finish	Each	\$59.00
	22-0333-04-629	Lower cover, US32 (629) finish	Each	\$49.00
	22-0333-04-630	Lower cover, US32D (630) finish	Each	\$49.00
8	22-0125-IP	Strike (ANSI)	Each	\$19.00
9	23-0059	Lower housing	Each	\$174.00
10	25-0284-MP	Bolt guide bushing	Pkg. of 10	\$7.00
11	31-0175-P	Lower bolt guide assembly	Each	\$15.00
12	31-0192-02-P	Lower rod assembly	Each	\$33.00
13	41-0902-04-IP	Metal End cap assembly, nose end	Each	\$24.00
14	25-0008	Molding clip	Each	\$7.00
15	41-0235-01	SVR final assembly, complete with rods	Each	\$214.00
	41-0333-01	SVR final assembly, complete with rod for top rod devices	Each	\$165.00
16	31-0333-01	Upper rod assembly	Each	\$54.00
17	26-0584-652-MP	Binder post with screws	2-Pack	\$22.00
*	91-0831-01-335	Hardware pack for 313, 335 finishes	Each	\$10.00
	91-0831-01-605	Hardware pack for US3 (605), US4 (606) finishes	Each	\$16.00
	91-0831-01-630	Hardware pack for 628, US32 (629), US32D (630) finishes	Each	\$8.00
NS	80-0180-86-01	Template, 3100	Each	\$10.00
NS	80-0180-81	Installation sheet, 3100	Each	Email only
NS	80-0180-481	Top rod, metal door installation sheet, 3100T	Each	Email only
NS	80-0180-483	Top rod, wood door installation sheet, 3100W	Each	Email only

NS = Not shown

Note: Consult factory for doors over 54" above push bar centerline.

ASSA ABLOY, the global leader in door opening solutions



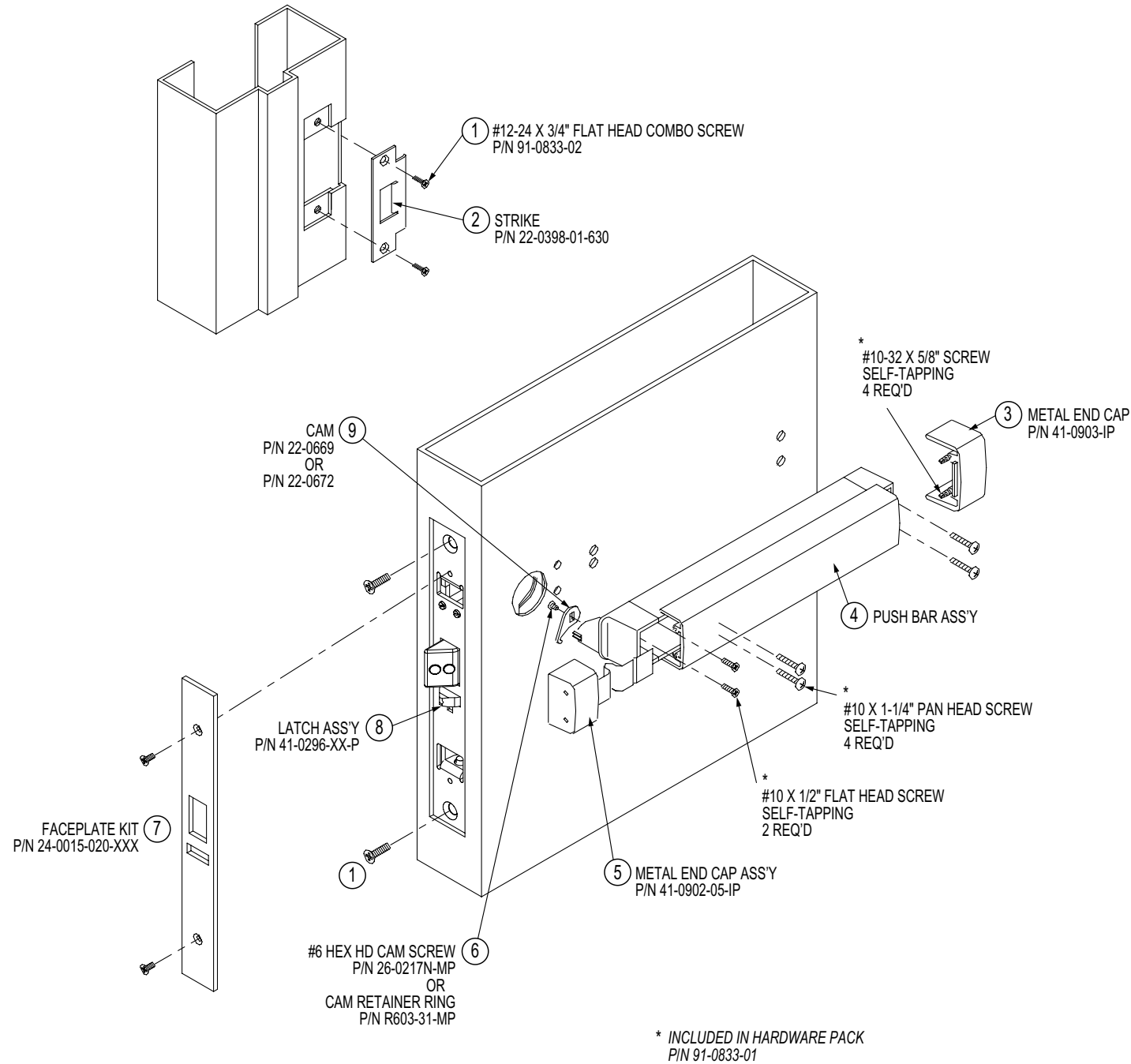
800.872.3267 • Fax 800.232.7329  
10027 S. 51st Street, Ste 102  
Phoenix, Arizona 85044  
www.adamsrite.com

# 3300 Series

## MORTISE EXIT DEVICE

# 3300 Series

## MORTISE EXIT DEVICE



### 3300 Series Mortise Exit Device

ITEM	PART NUMBER	DESCRIPTION	UNITS PKGD	2017 PRICE
1	91-0833-02	#12-24 x 3/4" flat head combo screw	Each	\$5.00
2	22-0398-01-630	Strike plate	Each	\$24.00
3	41-0903-IP	Metal end cap assembly, hinge end	Each	\$20.00
4	3300 PUSH BAR (-PB) - 313, 335, 628 FINISH	Push bar assembly: order by exit device series (3300), door opening width and 313, 335, or 628 finish	Each	\$124.00
	3300 PUSH BAR (-PB) - 630 FINISH	Push bar assembly: order by exit device series (3300), door opening width and US32D (630) finish	Each	\$332.00
	3300 PUSH BAR (-PB) - 605, 606, 629 FINISH	Push bar assembly: order by exit device series (3300), door opening width and US3 (605), US4 (606), US32 (629) finishes	Each	\$375.00
5	41-0902-05-IP	Metal end cap assembly, nose end	Each	\$24.00
6	26-0217N-MP	#6 hex head cam screw	Pkg. of 10	\$13.00
	R603-31-MP	Cam retainer ring (past production)	Pkg. of 10	\$13.00
7	24-0015-020-335	Faceplate kit with screws, 335 finish	Each	List
	24-0015-020-628	Faceplate kit with screws, 628 finish	Each	List
8	41-0296-01-P	Latch assembly (LHR)	Each	\$396.00
	41-0296-02-P	Latch assembly (RHR)	Each	\$396.00
9	22-0672	Cam (latchbolt retract), screw attachment	Each	\$4.00
	22-0669	Cam (latchbolt retract), retainer clip attachment	Each	\$5.00
*	91-0833-01	Hardware pack	Each	\$8.00
NS	80-0180-122-01	Device template, 3300	Each	\$10.00
NS	80-0180-122-02	Strike template, 3300	Each	\$10.00
NS	80-0180-83	Installation sheet, 3300	Each	Email only

List = Refer to current pricelist  
NS = Not shown

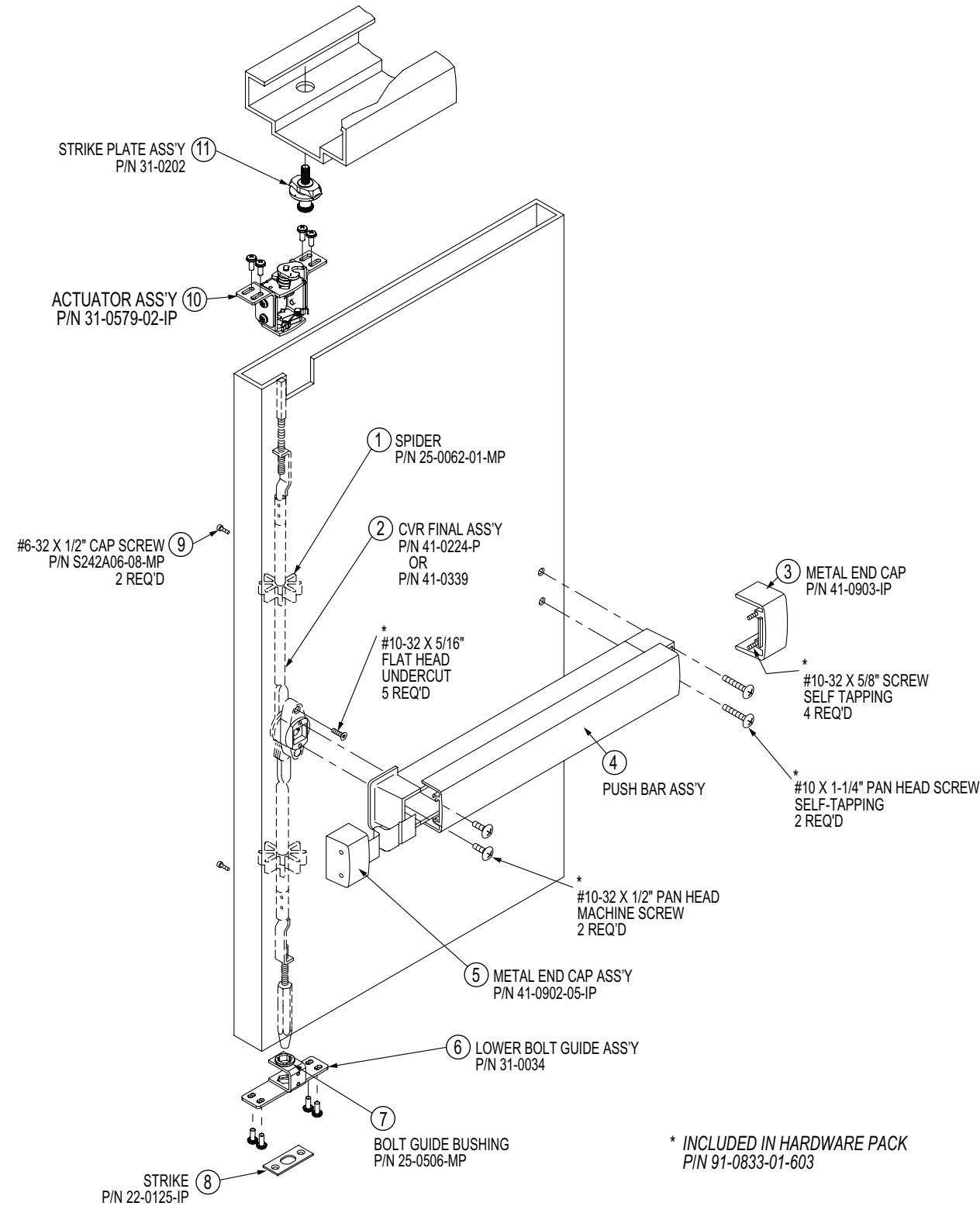
ASSA ABLOY, the global leader in door opening solutions



800.872.3267 • Fax 800.232.7329  
10027 S. 51st Street, Ste 102  
Phoenix, Arizona 85044  
www.adamsrite.com

# 3600 Series CONCEALED VERTICAL ROD

# 3600 Series CONCEALED VERTICAL ROD



## 3600 Series Metal Door Concealed Vertical Rod (Including 3600T)

ITEM	PART NUMBER	DESCRIPTION	UNITS PKGD	2017 PRICE
1	25-0062-01-MP	Spider	Pkg. of 10	\$19.00
2	41-0224-P	CVR final assembly, complete with bolts	Each	\$140.00
	41-0339	CVR final assembly, complete with bolt for top rod devices	Each	\$155.00
3	41-0903-IP	Metal end cap assembly, hinge end	Each	\$20.00
4	3600 PUSH BAR (-PB) - 313, 335, 628 FINISH	Push bar assembly: order by exit device series (3600), door opening width and 313, 335, or 628 finish	Each	\$124.00
	3600 PUSH BAR (-PB) - 630 FINISH	Push bar assembly: order by exit device series (3600), door opening width and US32D (630) finish	Each	\$332.00
	3600 PUSH BAR (-PB) - 605, 606, 629 FINISH	Push bar assembly: order by exit device series (3600), door opening width and US3 (605), US4 (606), US32 (629) finishes	Each	\$375.00
5	41-0902-05-IP	Metal end cap assembly, nose end	Each	\$24.00
6	31-0034	Lower bolt guide assembly	Each	\$9.00
7	25-0506-MP	Bolt guide bushing	Pkg. of 10	\$7.00
8	22-0125-IP	Strike (ANSI)	Each	\$19.00
9	S242A06-08-MP	#6-32 x 1/2" cap screw, rod piercing	Pkg. of 10	\$10.00
10	31-0579-02-IP	Top actuator assembly	Each	\$97.00
11	31-0202	Strike plate assembly	Each	\$28.00
*	91-0836-01-603	Hardware pack	Each	\$12.00
NS	80-0180-87-01	Exit device template, 3600	Each	\$10.00
NS	80-0180-87-02	Strike template, 3600	Each	\$10.00
NS	80-0180-487-01	Exit device template, 3600T	Each	\$10.00
NS	80-0180-487-02	Strike template, 3600T	Each	\$10.00
NS	80-0180-84	Installation sheet, 3600	Each	Email only
NS	80-0180-486	Installation sheet, 3600T	Each	Email only

NS = Not shown

ASSA ABLOY, the global leader in door opening solutions



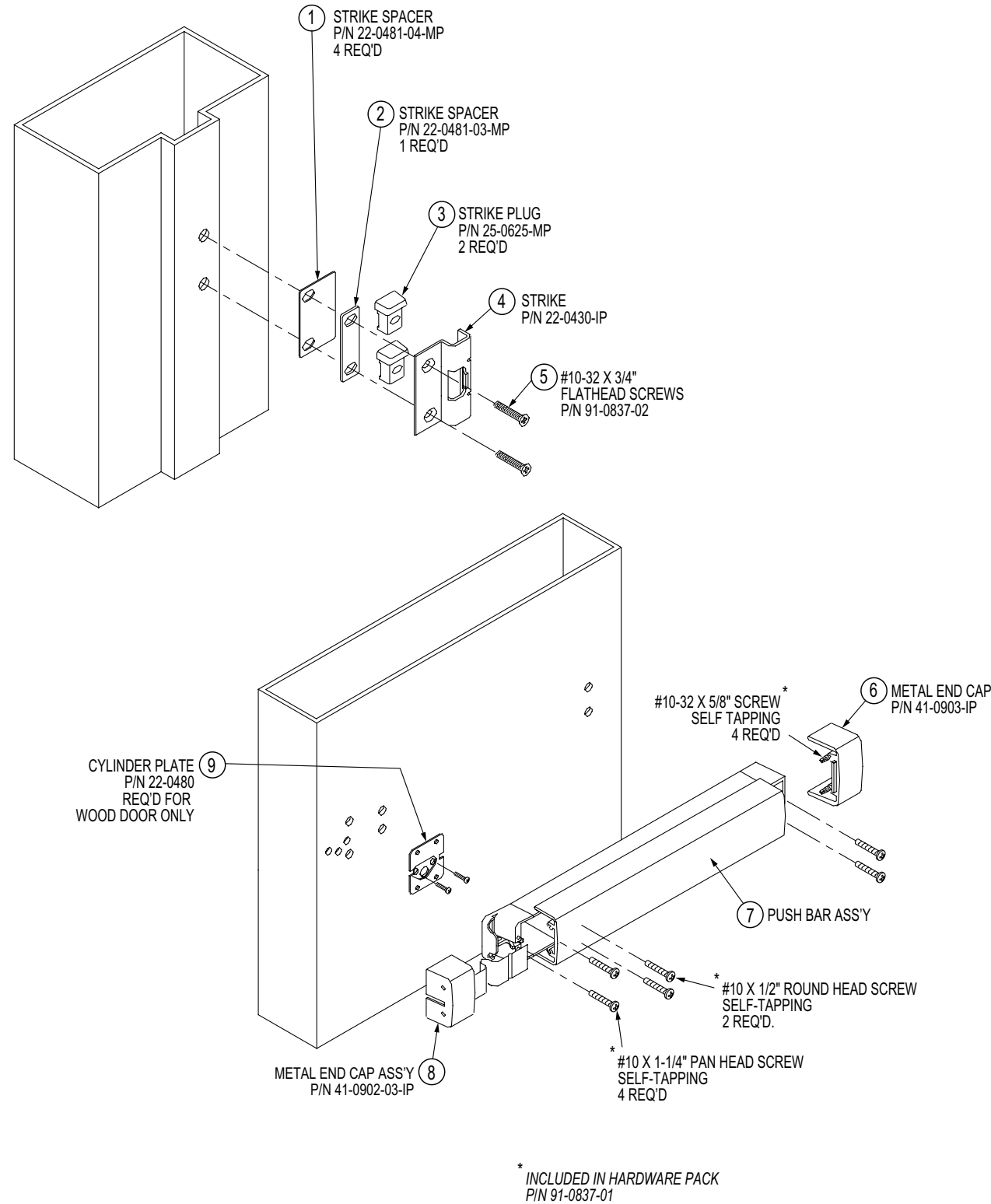
800.872.3267 • Fax 800.232.7329  
10027 S. 51st Street, Ste 102  
Phoenix, Arizona 85044  
www.adamsrite.com

# 3700 Series

## RIM EXIT DEVICE

# 3700 Series

## RIM EXIT DEVICE



### 3700 Series Rim Exit Device

ITEM	PART NUMBER	DESCRIPTION	UNITS PKGD	2017 PRICE
1	22-0481-04-MP	Strike spacer	Pkg. of 10	\$20.00
2	22-0481-03-MP	Strike spacer	Pkg. of 10	\$20.00
3	25-0625-MP	Strike plug	Pkg. Of 2	\$10.00
4	22-0430-IP	Strike	Each	\$9.00
5	91-0837-02	#10-32 x 3/4" flat head screws	Pkg. of 2	\$5.00
6	41-0903-IP	Metal end cap assembly, hinge end	Each	\$20.00
7	3700 PUSH BAR (-PB) - 313, 335, 628 FINISH	Push bar assembly: order by exit device series (3700), door opening width and 313, 335, or 628 finish	Each	\$124.00
	3700 PUSH BAR (-PB) - 630 FINISH	Push bar assembly: order by exit device series (3700), door opening width and US32D (630) finish	Each	\$332.00
	3700 PUSH BAR (-PB) - 605, 606, 629 FINISH	Push bar assembly: order by exit device series (3700), door opening width and US3 (605), US4 (606), US32 (629) finishes	Each	\$375.00
8	41-0902-03-IP	Metal End cap assembly, latch end	Each	\$24.00
9	22-0480	Cylinder plate for wood door applications	Each	\$10.00
*	91-0837-01	Hardware pack	Each	\$5.00
NS	80-0180-124-01	Device template, 3700	Each	\$10.00
NS	80-0180-124-02	Strike template, 3700	Each	\$10.00
NS	80-0180-85	Installation sheet, 3700	Each	Email only

NS = Not shown

ASSA ABLOY, the global leader in door opening solutions



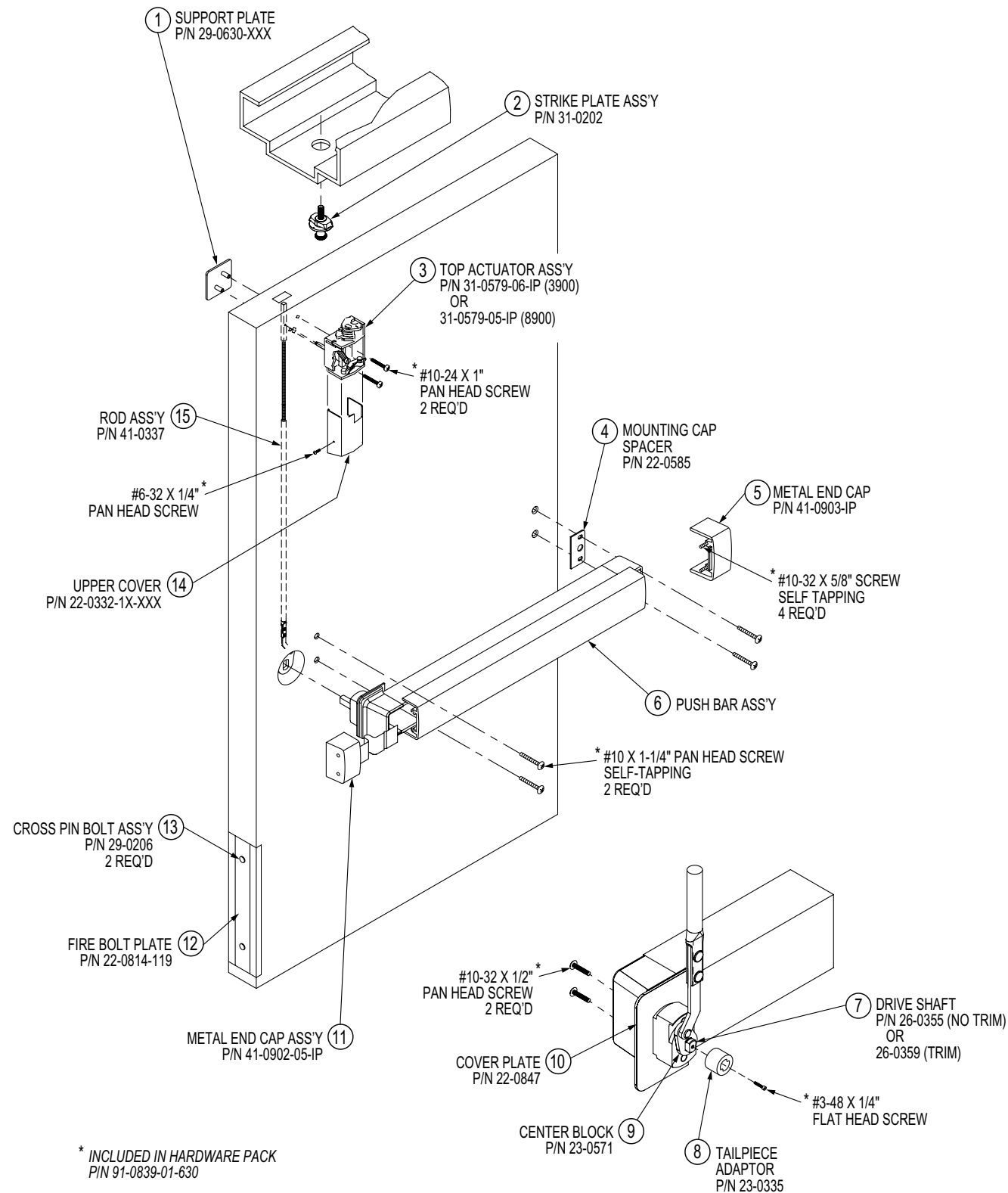
800.872.3267 • Fax 800.232.7329  
10027 S. 51st Street, Ste 102  
Phoenix, Arizona 85044  
www.adamsrite.com

# 3900/8900 Series

## SURFACE CONCEALED VERTICAL ROD

# 3900/8900 Series

## SURFACE CONCEALED VERTICAL ROD



### 3900/8900 Series Wood Door Surface Concealed Vertical Rod

ITEM	PART NUMBER	DESCRIPTION	UNITS PKGD	2017 PRICE
1	29-0630-121	Support plate, 121 finish	Each	\$70.00
	29-0630-626	Support plate, US26D (626) finish	Each	\$80.00
2	31-0202	Strike plate assembly	Each	\$28.00
3	31-0579-06-IP	Top actuator assembly, 3900	Each	\$124.00
	31-0579-05-IP	Top actuator assembly, 8900	Each	\$113.00
4	22-0585	Mounting cap spacer	Each	\$5.00
5	41-0903-IP	Metal end cap assembly, hinge end	Each	\$20.00
6	3900 PUSH BAR (-PB) - 313, 335, 628 FINISH	Push bar assembly: order by exit device series (3900/8900), door opening width and 313, 335, or 628 finish	Each	\$124.00
	3900 PUSH BAR (-PB) - 630 FINISH	Push bar assembly: order by exit device series (3900/8900), door opening width and US32D (630) finish	Each	\$332.00
	3900 PUSH BAR (-PB) - 605, 606, 629 FINISH	Push bar assembly: order by exit device series (3900/8900), door opening width and and US3 (605), US4 (606), US32 (629) finishes	Each	\$375.00
7	26-0355	Drive shaft (no trim)	Each	\$39.00
	26-0359	Drive shaft (trim)	Each	\$39.00
8	23-0335	Tailpiece adaptor	Each	\$6.00
9	23-0571	Center block	Each	\$22.00
10	22-0847	Cover plate	Each	\$5.00
11	41-0902-05-IP	Metal end cap assembly, nose end	Each	\$24.00
12	22-0814-119	Fire bolt plate	Each	\$43.00
13	29-0206	Cross pin bolt assembly	Each	\$66.00
14	22-0332-11-313	Upper cover, 313 finish	Each	\$45.00
	22-0332-11-335	Upper cover, 335 finish	Each	\$45.00
	22-0332-11-628	Upper cover, 628 finish	Each	\$45.00
	22-0332-14-629	Upper cover, US32 (629) finish	Each	\$70.00
	22-0332-14-630	Upper cover, US32D (630) finish	Each	\$70.00
15	41-0337	Rod assembly	Each	\$83.00
*	91-0839-01-630	Hardware pack	Each	\$16.00
NS	80-0180-392	Door template, 3900/8900	Each	\$10.00
NS	80-0180-390	Installation sheet, 3900/8900	Each	Email only
NS	80-0180-86-02	Frame template, 3900/8900	Each	\$10.00

NS = Not shown

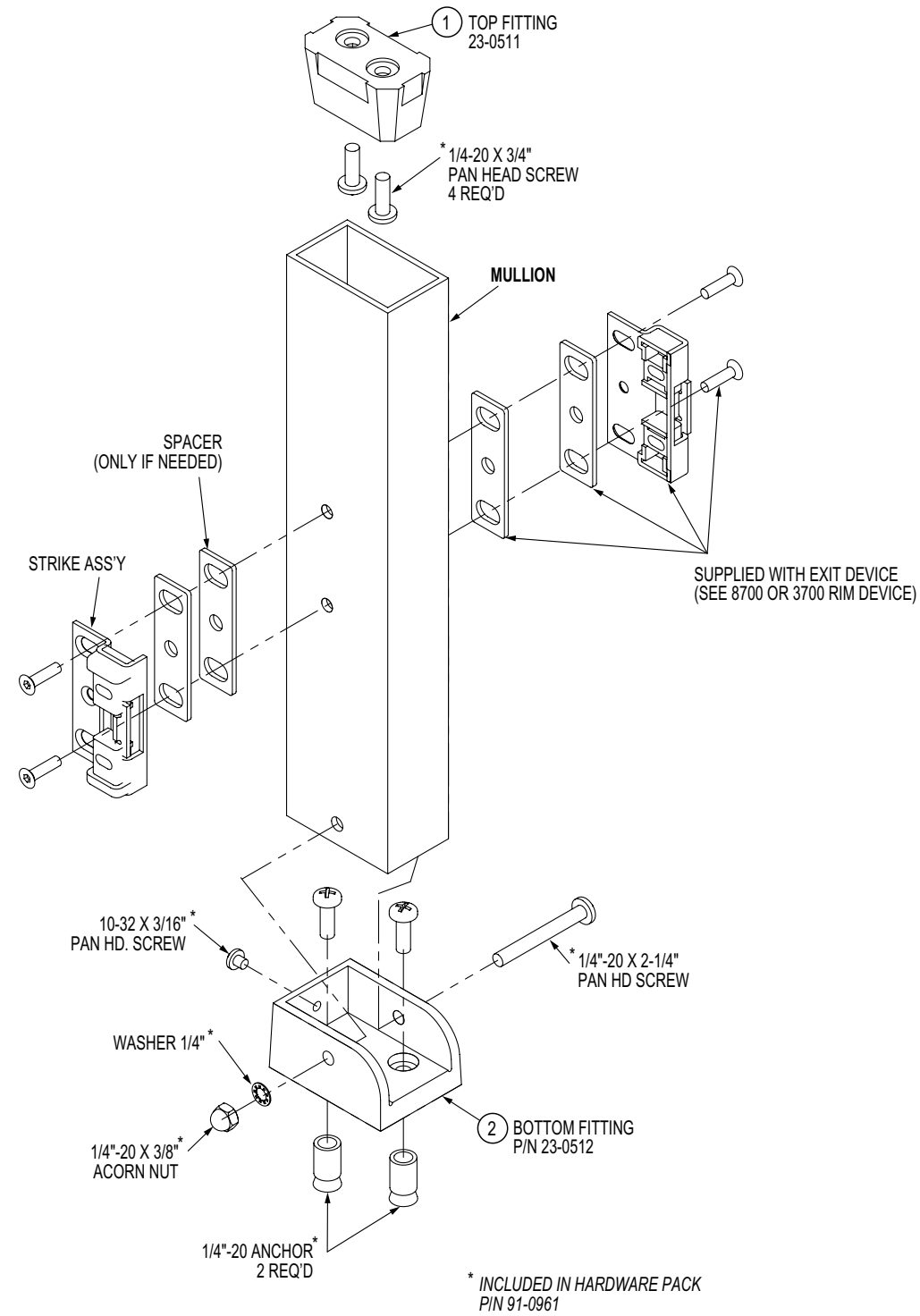
Note: Consult factory for doors over 54" above push bar centerline.

ASSA ABLOY, the global leader in door opening solutions



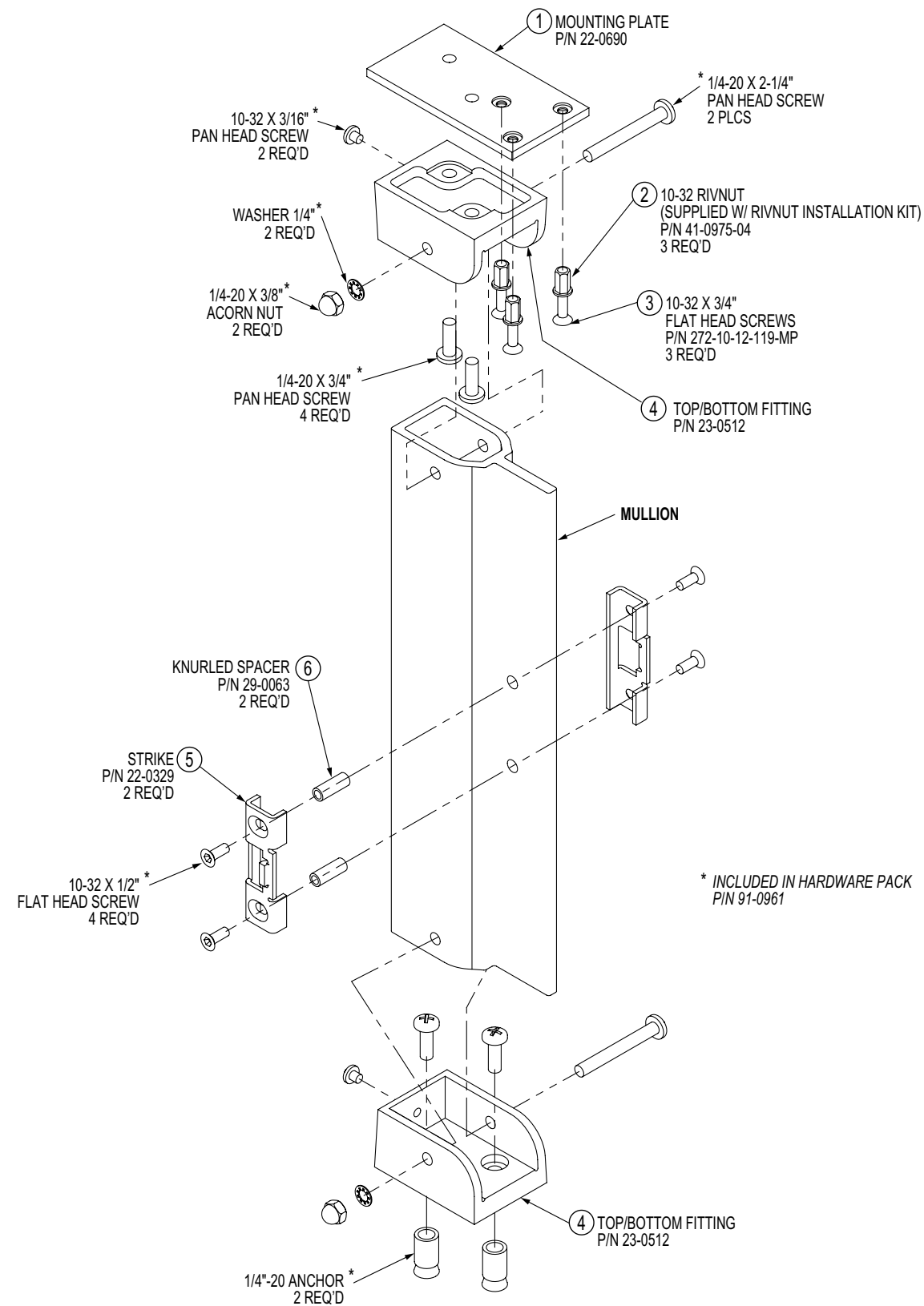
800.872.3267 • Fax 800.232.7329  
 10027 S. 51st Street, Ste 102  
 Phoenix, Arizona 85044  
[www.adamsrite.com](http://www.adamsrite.com)





**3889 Removable Mullion for Hollow Metal or Wood Doors**

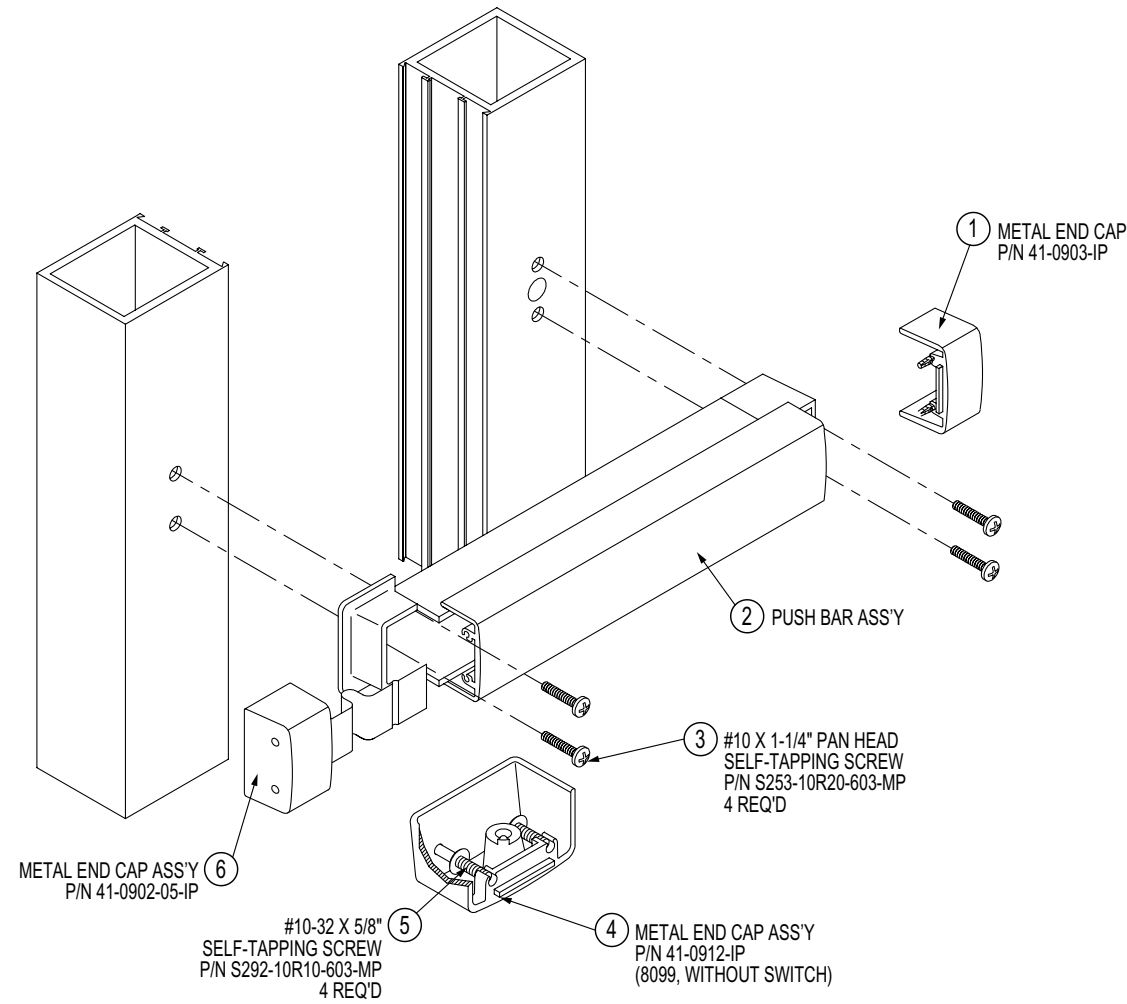
ITEM	PART NUMBER	DESCRIPTION	UNITS PKGD	2017 PRICE
1	23-0511	Top fitting	Each	\$80.00
2	23-0512	Bottom fitting	Each	\$83.00
*	91-0961	Hardware pack	Each	\$12.00



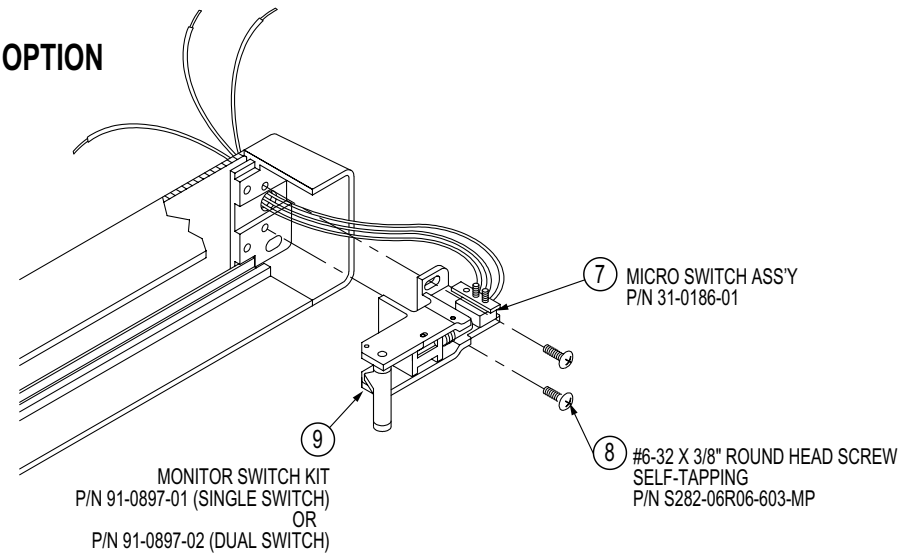
**3890 Removable Mullion for Aluminum Doors**

ITEM	PART NUMBER	DESCRIPTION	UNITS PKGD	2017 PRICE
1	22-0690	Mounting plate	Each	\$59.00
2	41-0975-04	Rivnut tool kit assembly	Each	\$12.00
3	S272-10-12-119-MP	#10-32 x 3/4" flat head screw	Pkg. of 10	\$7.00
4	23-0512	Bottom fitting	Each	\$83.00
5	22-0329	Strike	Each	\$14.00
6	29-0063	Knurled spacer	Each	\$22.00
*	91-0961	Hardware pack	Each	\$12.00

\* INCLUDED IN HARDWARE PACK  
P/N 91-0961



**MONITORING OPTION**



**8099/8099M Dummy Pushbar**

ITEM	PART NUMBER	DESCRIPTION	UNITS PKGD	2017 PRICE
1	41-0903-IP	Metal end cap assembly, hinge end	Each	\$20.00
2*	8099 PUSH BAR (-PB) - 313, 335, 628 FINISH	Push bar assembly: order by exit device series (8099M only), door opening width and 313, 335, or 628 finish	Each	\$124.00
	8099 PUSH BAR (-PB) - 630 FINISH	Push bar assembly: order by exit device series (8099M only), door opening width and US32D (630) finish	Each	\$332.00
	8099 PUSH BAR (-PB) - 605, 606, 629 FINISH	Push bar assembly: order by exit device series (8099M only), door opening width and US3 (605), US4 (606), US32 (629) finishes	Each	\$375.00
3	S253-10R20-603-MP	#10 x 1-1/4" pan head self-tapping screw	Pkg. of 10	\$7.00
4	41-0912-IP	End cap assembly, nose end, for 8099 Dummy Pushbar without switch	Each	\$20.00
5	S292-10R10-603-MP	#10-32 x 5/8" self-tapping screw	Pkg. of 10	\$8.00
6	41-0902-05-IP	Metal end cap assembly, nose end	Each	\$24.00
7	31-0186-01	Microswitch assembly with wires	Each	\$63.00
8	S282-06R06-603-MP	#6-32 x 3/8" round head self-tapping screw	Pkg. of 10	\$7.00
	91-0897-01	Single switch monitor kit (includes: monitor switch assembly, screws, wire nuts and installation instructions)	Each	List
9	91-0897-02	Dual switches monitor kit (includes: monitor switch assembly, screws, wire nuts and installation instructions)	Each	List
	NS 80-0180-050	Installation sheet, 8099	Each	Email only
NS	80-0180-250	Installation sheet, 8099M	Each	Email only
NS	80-0180-148	Wiring instruction sheet, 8099M	Each	Email only

List = Refer to current pricelist  
NS = Not shown

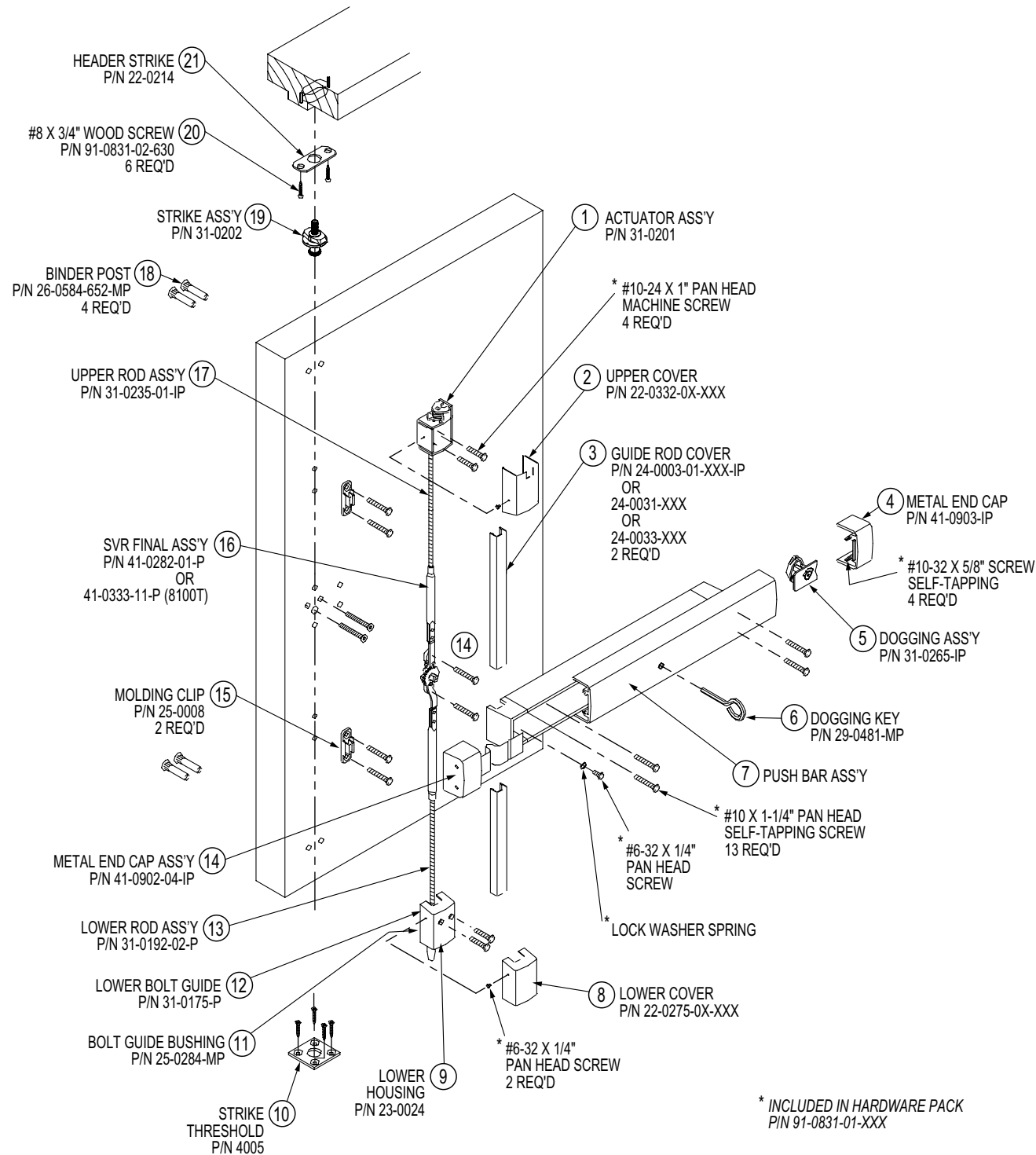
Note: \*Item #2 (above) push bar assembly is replaceable on 8099M only.

# 8100 Series

## SURFACE VERTICAL ROD

# 8100 Series

## SURFACE VERTICAL ROD



### 8100 Series Surface Vertical Rod Exit Device

ITEM	PART NUMBER	DESCRIPTION	UNITS PKGD	2017 PRICE
1	31-0201	Actuator assembly	Each	\$36.00
	22-0332-01-313	Upper cover, 313 finish	Each	\$27.00
	22-0332-01-335	Upper cover, 335 finish	Each	\$27.00
	22-0332-01-628	Upper cover, 628 finish	Each	\$27.00
2	22-0332-02-605	Upper cover, US3 (605) finish	Each	\$60.00
	22-0332-02-606	Upper cover, US4 (606) finish	Each	\$60.00
	22-0332-04-629	Upper cover, US32 (629) finish	Each	\$50.00
	22-0332-04-630	Upper cover, US32D (630) finish	Each	\$50.00
	24-0003-01-313-IP	Rod guide cover, 313 finish	Each	\$59.00
	24-0003-01-335	Rod guide cover, 335 finish	Each	\$59.00
	24-0003-01-628	Rod guide cover, 628 finish	Each	\$59.00
3	24-0031-605	Rod guide cover, US3 (605) finish	Each	\$180.00
	24-0031-606	Rod guide cover, US4 (606) finish	Each	\$180.00
	24-0033-629	Rod guide cover, US32 (629) finish	Each	\$97.00
	24-0033-630	Rod guide cover, US32D (630) finish	Each	\$97.00
4	41-0903-IP	Metal end cap assembly, hinge end	Each	\$20.00
5	31-0265-IP	Dogging assembly, complete	Each	\$18.00
6	29-0481-MP	Dogging key	Pkg. of 10	\$28.00
	8100 PUSH BAR (-PB) - 313, 335, 628 FINISH	Push bar assembly: order by exit device series (8100), door opening width and 313, 335, or 628 finish	Each	\$124.00
7	8100 PUSH BAR (-PB) - 630 FINISH	Push bar assembly: order by exit device series (8100), door opening width and US32D (630) finish	Each	\$332.00
	8100 PUSH BAR (-PB) - 605, 606, 629 FINISH	Push bar assembly: order by exit device series (8100), door opening width and US3 (605), US4 (606), US32 (629) finishes	Each	\$375.00
	22-0275-01-313	Lower cover, 313 finish	Each	\$27.00
	22-0275-01-335	Lower cover, 335 finish	Each	\$27.00
	22-0275-01-628	Lower cover, 628 finish	Each	\$27.00
8	22-0275-02-605	Lower cover, US3 (605) finish	Each	\$59.00
	22-0275-02-606	Lower cover, US4 (606) finish	Each	\$59.00
	22-0275-04-629	Lower cover, US32 (629) finish	Each	\$49.00
	22-0275-04-630	Lower cover, US32D (630) finish	Each	\$49.00
9	23-0024	Lower housing	Each	\$27.00
10	4005	Strike for 4015 Threshold Bolt	Each	List
11	25-0284-MP	Bolt guide bushing	Pkg. of 10	\$7.00
12	31-0175-P	Lower bolt guide assembly	Each	\$15.00
13	31-0192-02-P	Lower rod assembly	Each	\$33.00
14	41-0902-04-IP	Metal end cap assembly, nose end	Each	\$24.00
15	25-0008	Molding clip	Each	\$7.00
16	41-0282-01-P	SVR final assembly, complete with rods	Each	\$198.00
	41-0333-11-P	SVR final assembly, top rod	Each	\$135.00
17	31-0235-01-IP	Upper rod assembly	Each	\$40.00
18	26-0584-652-MP	Binder post with screws	2-Pack	\$22.00
19	31-0202	Strike plate assembly	Each	\$28.00
20	91-0831-02-630	Strike screw pack for wood frame	Pkg. of 6	\$7.00
21	22-0214	Header strike for wood frame	Each	\$22.00
*	91-0831-01-335	Hardware pack for US3 (605), US4 (606) finishes	Each	\$10.00
	91-0831-01-605	Hardware pack for US3 (605), US4 (606) finishes	Each	\$16.00
	91-0831-01-630	Hardware pack for 628, US32 (629), US32D (630) finishes	Each	\$8.00
NS	80-0180-198-01	Exit device template, 8100	Each	\$10.00
NS	80-0180-198-02	Strike template, 8100	Each	\$10.00
NS	80-0180-194	Metal frame Installation sheet, 8100	Each	Email only
NS	80-0180-195	Wood frame Installation sheet, 8100	Each	Email only

List = Refer to current pricelist  
NS = Not shown

ASSA ABLOY, the global leader in door opening solutions



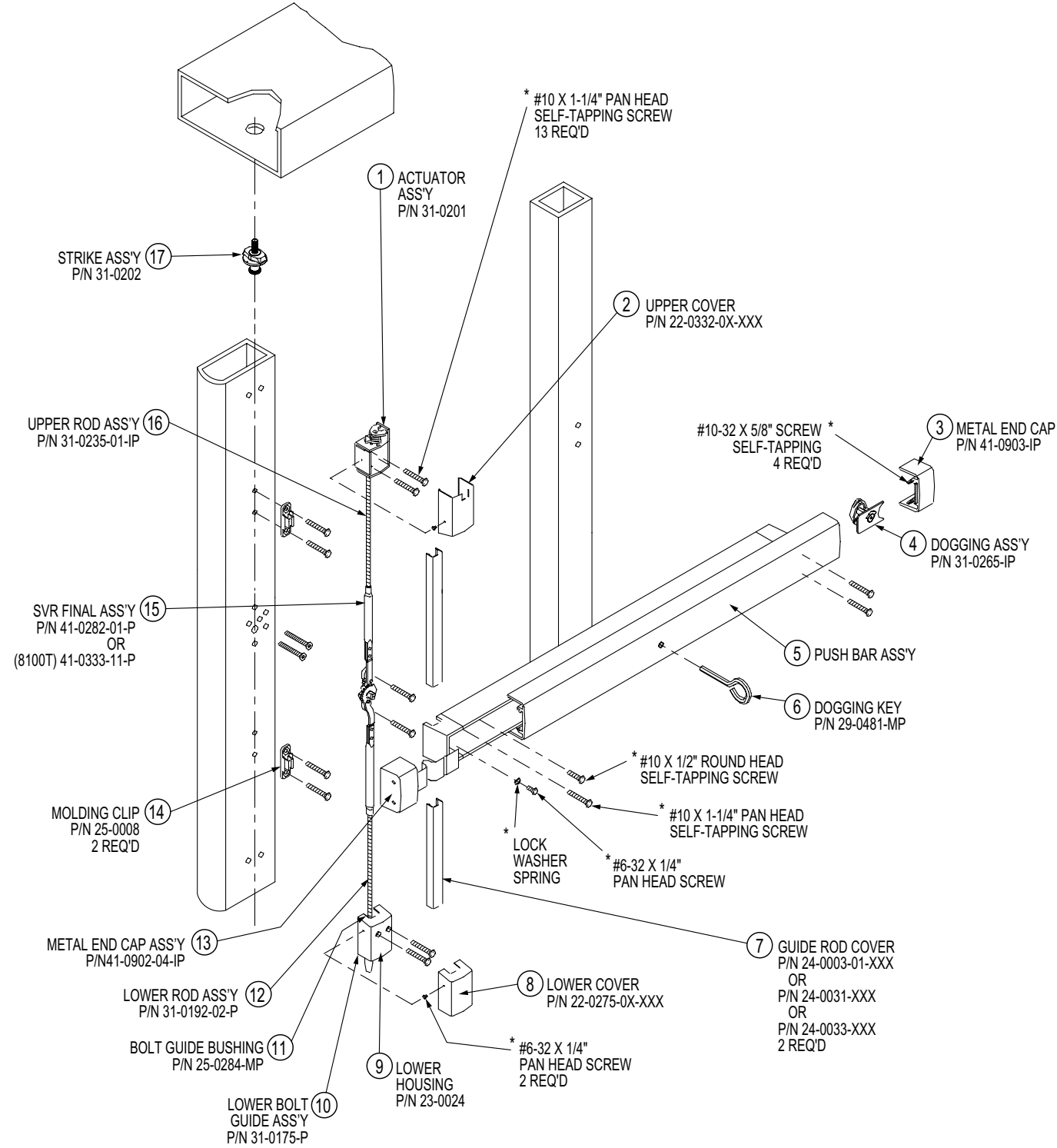
800.872.3267 • Fax 800.232.7329  
10027 S. 51st Street, Ste 102  
Phoenix, Arizona 85044  
www.adamsrite.com

# 8200 Series

## SURFACE VERTICAL ROD

# 8200 Series

## SURFACE VERTICAL ROD



\* INCLUDED IN HARDWARE PACK  
P/N 91-0831-01-XXX

### 8200 Series Narrow Stile Surface Vertical Rod

ITEM	PART NUMBER	DESCRIPTION	UNITS PKGD	2017 PRICE
1	31-0201	Actuator assembly	Each	\$36.00
	22-0332-01-313	Upper cover, 313 finish	Each	\$27.00
	22-0332-01-335	Upper cover, 335 finish	Each	\$27.00
	22-0332-01-628	Upper cover, 628 finish	Each	\$27.00
2	22-0332-02-605	Upper cover, US3 (605) finish	Each	\$60.00
	22-0332-02-606	Upper cover, US4 (606) finish	Each	\$60.00
	22-0332-04-629	Upper cover, US32 (629) finish	Each	\$50.00
	22-0332-04-630	Upper cover, US32D (630) finish	Each	\$50.00
3	41-0903-IP	Metal end cap assembly, hinge end	Each	\$20.00
	31-0265-IP	Dogging assembly, complete	Each	\$18.00
5	8200 PUSH BAR (-PB) - 313, 335, 628 FINISH	Push bar assembly: order by exit device series (8200), door opening width and 313, 335, or 628 finish	Each	\$124.00
	8200 PUSH BAR (-PB) - 630 FINISH	Push bar assembly: order by exit device series (8200), door opening width and US32D (630) finish	Each	\$332.00
	8200 PUSH BAR (-PB) - 605, 606, 629 FINISH	Push bar assembly: order by exit device series (8200), door opening width and US3 (605), US4 (606), US32 (629) finishes	Each	\$375.00
6	29-0481-MP	Dogging key	Pkg. of 10	\$28.00
	24-0003-01-313-IP	Rod guide cover, 313 finish	Each	\$59.00
	24-0003-01-335	Rod guide cover, 335 finish	Each	\$59.00
7	24-0003-01-628	Rod guide cover, 628 finish	Each	\$59.00
	24-0031-605	Rod guide cover, US3 (605) finish	Each	\$180.00
	24-0031-606	Rod guide cover, US4 (606) finish	Each	\$180.00
	24-0033-629	Rod guide cover, US32 (629) finish	Each	\$97.00
8	24-0033-630	Rod guide cover, US32D (630) finish	Each	\$97.00
	22-0275-01-313	Lower cover, 313 finish	Each	\$27.00
	22-0275-01-335	Lower cover, 335 finish	Each	\$27.00
	22-0275-01-628	Lower cover, 628 finish	Each	\$27.00
9	22-0275-02-605	Lower cover, US3 (605) finish	Each	\$59.00
	22-0275-02-606	Lower cover, US4 (606) finish	Each	\$59.00
	22-0275-04-629	Lower cover, US32 (629) finish	Each	\$49.00
	22-0275-04-630	Lower cover, US32D (630) finish	Each	\$49.00
9	23-0024	Lower housing	Each	\$27.00
10	31-0175-P	Lower bolt guide assembly	Each	\$15.00
11	25-0284-MP	Bolt guide bushing	Pkg. of 10	\$7.00
12	31-0192-02-P	Lower rod assembly	Each	\$33.00
13	41-0902-04-IP	Metal end cap assembly, nose end	Each	\$24.00
14	25-0008	Molding clip	Each	\$7.00
15	41-0282-01-P	SVR final assembly, complete with rods	Each	\$198.00
	41-0333-11-P	SVR final assembly, top rod	Each	\$135.00
16	31-0235-01-IP	Upper rod assembly	Each	\$40.00
	31-0202	Strike plate assembly	Each	\$28.00
*	91-0831-01-335	Hardware pack for 313, 335 finishes	Each	\$10.00
	91-0831-01-605	Hardware pack for US3 (605), US4 (606) finishes	Each	\$16.00
	91-0831-01-630	Hardware pack for 628, US32 (629), US32D (630) finishes	Each	\$8.00
NS	80-0180-199-01	Exit device template, 8200	Each	\$10.00
NS	80-0180-199-02	Strike template, 8200	Each	\$10.00
NS	80-0180-196	Installation sheet, 8200	Each	Email only

NS = Not shown

Note: Consult factory for doors over 54" above push bar.

ASSA ABLOY, the global leader in door opening solutions



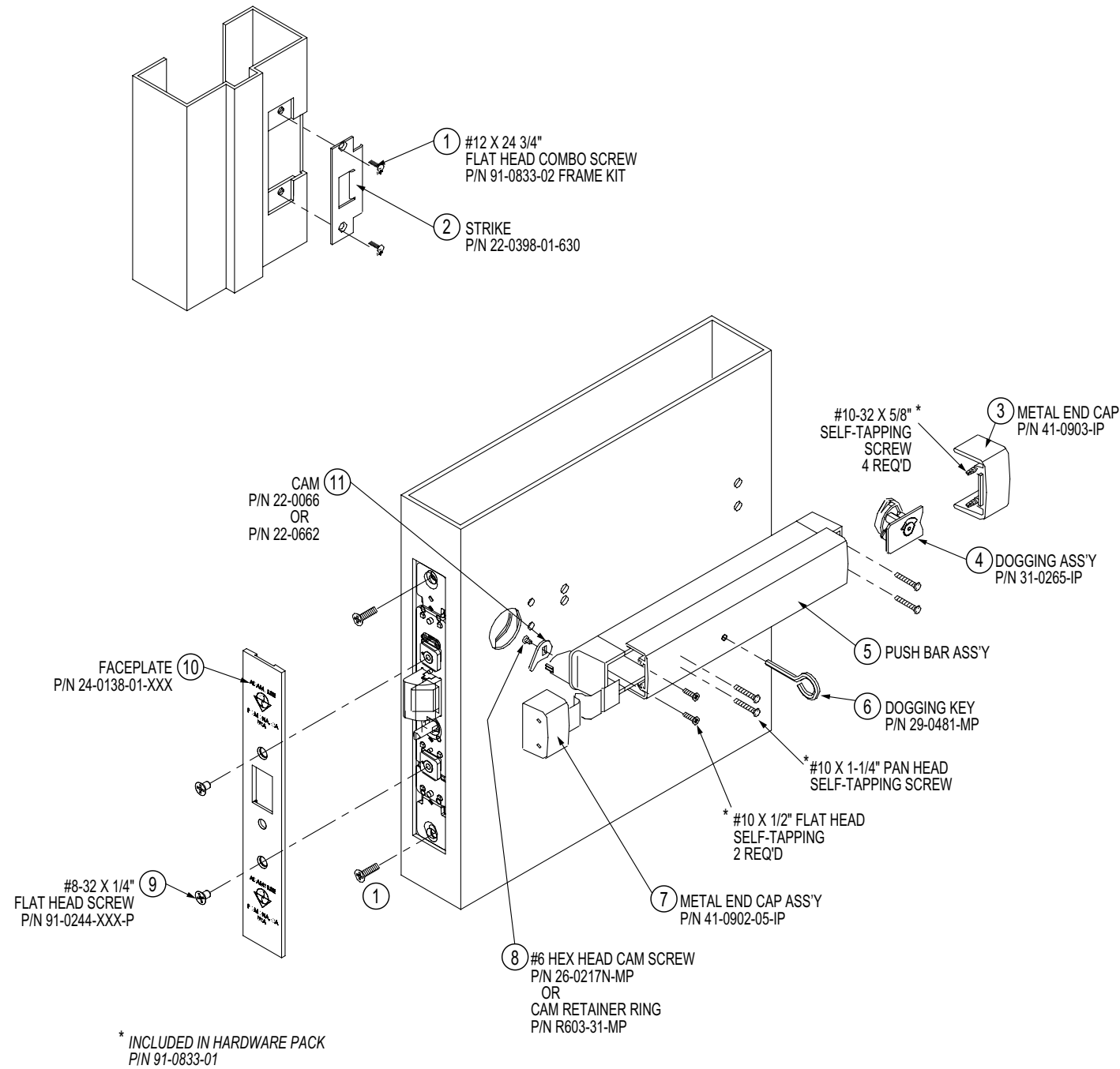
800.872.3267 • Fax 800.232.7329  
10027 S. 51st Street, Ste 102  
Phoenix, Arizona 85044  
www.adamsrite.com

# 8300 Series

## MORTISE EXIT DEVICE

# 8300 Series

## MORTISE EXIT DEVICE



### 8300 Series Mortise Exit Device

ITEM	PART NUMBER	DESCRIPTION	UNITS PKGD	2017 PRICE
1	91-0833-02	#12-24 x 3/4" flat head combo screw	Each	\$5.00
2	22-0398-01-630	Strike plate	Each	\$24.00
3	41-0903-IP	Metal end cap assembly, hinge end	Each	\$20.00
4	31-0265-IP	Dogging assembly, complete	Each	\$18.00
5	8300 PUSH BAR (-PB) - 313, 335, 628 FINISH	Push bar assembly: order by exit device series (8300), door opening width and 313, 335, or 628 finish	Each	\$124.00
	8300 PUSH BAR (-PB) - 630 FINISH	Push bar assembly: order by exit device series (8300), door opening width and US32D (630) finish	Each	\$332.00
	8300 PUSH BAR (-PB) - 605, 606, 629 FINISH	Push bar assembly: order by exit device series (8300), door opening width and US3 (605), US4 (606), US32 (629) finishes	Each	\$375.00
6	29-0481-MP	Dogging key	Pkg. of 10	\$28.00
7	41-0902-05-IP	Metal end cap assembly, nose end	Each	\$24.00
8	26-0217N-MP	#6 hex head cam screw	Pkg. of 10	\$13.00
	R603-31-MP	Cam retainer ring (past production)	Pkg. of 10	\$13.00
9	91-0244-335-P	#8-32 x 1/4" flat head screws, 335 finish	Pkg. of 2	\$4.00
	91-0244-628-P	#8-32 x 1/4" flat head screws, 628 finish	Pkg. of 2	\$4.00
10	24-0138-01-313	Faceplate kit with screws, 313 finish	Each	List
	24-0138-01-335	Faceplate kit with screws, 335 finish	Each	List
	24-0138-01-628	Faceplate kit with screws, 628 finish	Each	List
11	22-0066	Latchbolt retraction cam with screw attachment	Each	\$9.00
	22-0662	Latchbolt retraction cam with retainer clip attachment	Each	\$8.00
*	91-0833-01	Hardware pack	Each	\$8.00
NS	80-0180-122-01	Device template, 3300	Each	\$10.00
NS	80-0180-122-02	Strike template, 3300	Each	\$10.00
NS	80-0180-36	Installation sheet, 8300	Each	Email only

List = Refer to current pricelist  
NS = Not shown

ASSA ABLOY, the global leader in door opening solutions



800.872.3267 • Fax 800.232.7329  
10027 S. 51st Street, Ste 102  
Phoenix, Arizona 85044  
www.adamsrite.com

# 8400 Series

## MORTISE EXIT DEVICE

# 8400 Series

## MORTISE EXIT DEVICE

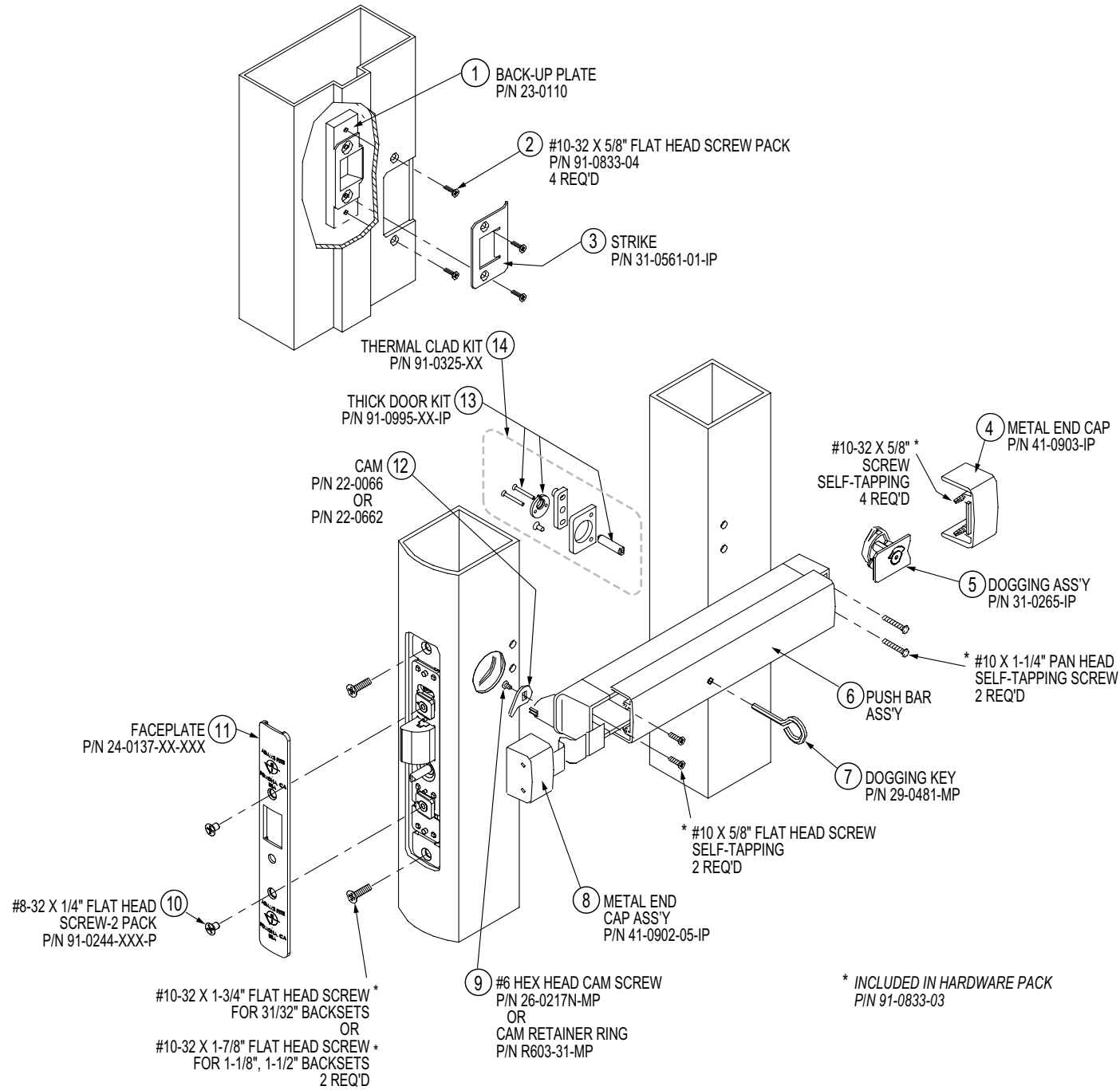
### 8400 Series Narrow Stile Mortise Exit Device

ITEM	PART NUMBER	DESCRIPTION	UNITS PKGD	2017 PRICE
1	23-0110	Back-up plate	Each	\$11.00
2	91-0833-04	#10-32 x 5/8" flat head screw	Pkg. of 10	\$6.00
3	31-0561-01-IP	Strike assembly	Each	\$14.00
4	41-0903-IP	Metal end cap assembly, hinge end	Each	\$20.00
5	31-0265-IP	Dogging assembly, complete	Each	\$18.00
6	8400 PUSH BAR (-PB) - 313, 335, 628 FINISH	Push bar assembly: order by exit device series (8400), door opening width and 313, 335, or 628 finish	Each	\$124.00
	8400 PUSH BAR (-PB) - 630 FINISH	Push bar assembly: order by exit device series (8400), door opening width and US32D (630) finish	Each	\$332.00
	8400 PUSH BAR (-PB) - 605, 606, 629 FINISH	Push bar assembly: order by exit device series (8400), door opening width and US3 (605), US4 (606), US32 (629) finishes	Each	\$375.00
7	29-0481-MP	Dogging key	Pkg. of 10	\$28.00
8	41-0902-05-IP	Metal end cap assembly, nose end	Each	\$24.00
9	26-0217N-MP	#6 hex head cam screw	Pkg. of 10	\$13.00
	R603-31-MP	Cam retainer ring (past production)	Pkg. of 10	\$13.00
10	91-0244-335-P	#8-32 x 1/4" flat head screws, 335 finish	Pkg. of 2	\$4.00
	91-0244-628-P	#8-32 x 1/4" flat head screws, 628 finish	Pkg. of 2	\$4.00
11	24-0137-01-313	Faceplate kit with screws, flat or bevel, 313 finish	Each	List
	24-0137-01-335	Faceplate kit with screws, flat or bevel, 335 finish	Each	List
	24-0137-01-628	Faceplate kit with screws, flat or bevel, 628 finish	Each	List
	24-0137-01-672	Faceplate kit with screws, flat or bevel, US26 (672) finish	Each	List
	24-0137-01-702	Faceplate kit with screws, flat or bevel, US26D (702) finish	Each	List
	24-0137-02-313	Faceplate kit with screws, radius, 313 finish	Each	List
	24-0137-02-335	Faceplate kit with screws, radius, 335 finish	Each	List
	24-0137-02-628	Faceplate kit with screws, radius, 628 finish	Each	List
	24-0137-02-672	Faceplate kit with screws, radius, US26 (672) finish	Each	List
	24-0137-02-702	Faceplate kit with screws, radius, US26D (702) finish	Each	List
	24-0137-03-313	Faceplate kit with screws, radius with weatherstrip, 313 finish	Each	List
24-0137-03-335	Faceplate kit with screws, radius with weatherstrip, 335 finish	Each	List	
24-0137-03-628	Faceplate kit with screws, radius with weatherstrip, 628 finish	Each	List	
12	22-0066	Latchbolt retraction cam with screw attachment	Each	\$9.00
	22-0662	Latchbolt retraction cam with retainer clip attachment	Each	\$8.00
13**	91-0995-02-IP	Thick door kit for 2" door	Each	List
	91-0995-03-IP	Thick door kit for 2-1/4" door	Each	List
	91-0995-04-IP	Thick door kit for 2-1/2" door	Each	List
	91-0995-05-IP	Thick door kit for 2-3/4" door	Each	List
14	91-0325-01	Thermal clad kit for 1-3/4" door with 1/4" cladding	Each	List
	91-0325-02	Thermal clad kit for 1-3/4" door with 1/2" cladding	Each	List
*	91-0833-03	Hardware pack	Each	\$6.00
NS	80-0180-123-01	Device template, 8400	Each	\$10.00
NS	80-0180-123-02	Strike template, 8400	Each	\$10.00
NS	80-0180-38	Installation sheet, 8400	Each	Email only

List = Refer to current pricelist

NS = Not shown

Note: \*\*Item #13 (above) Thick Door Kit for mortise exit devices available separately.



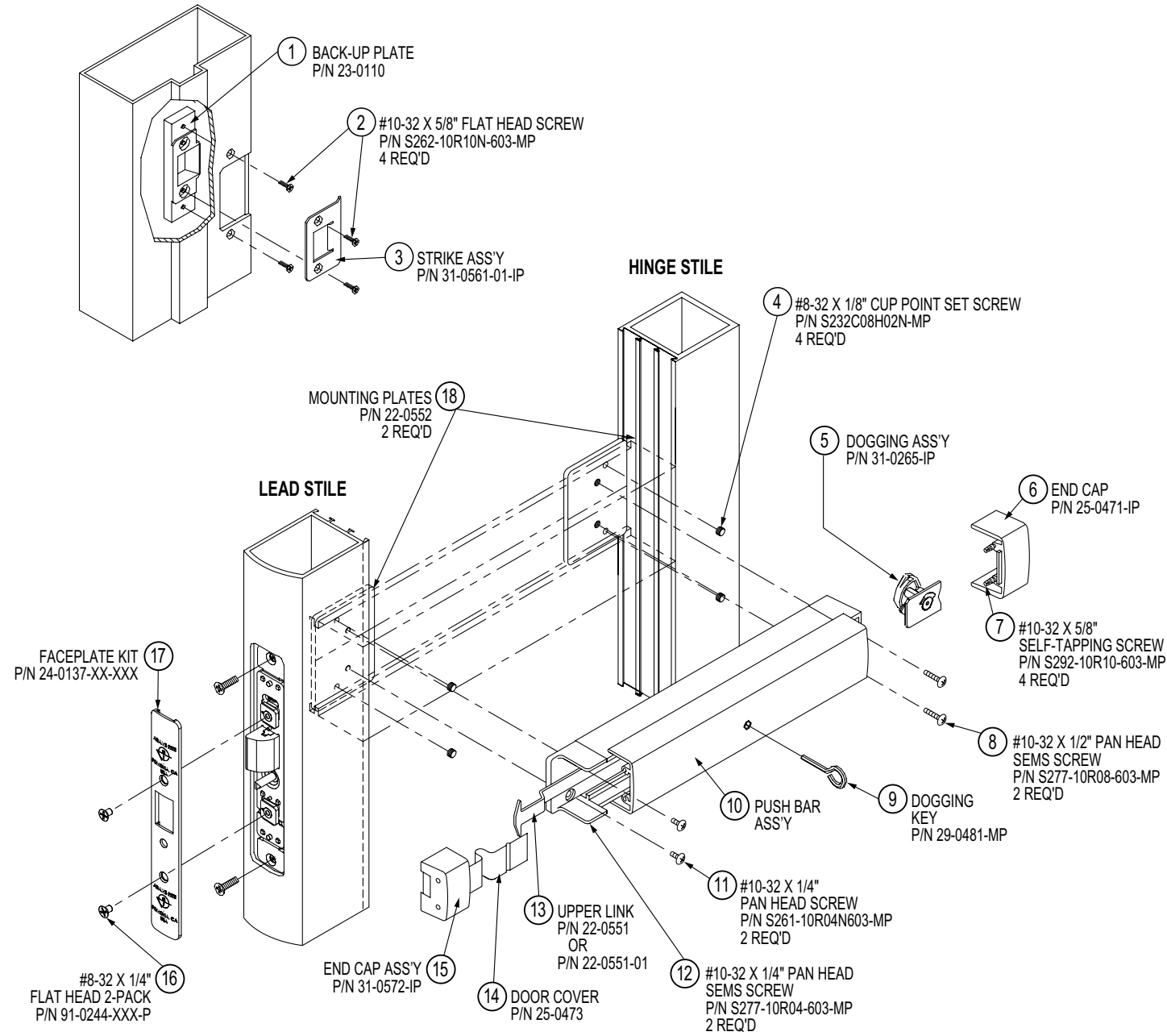
ASSA ABLOY, the global leader in door opening solutions



800.872.3267 • Fax 800.232.7329  
10027 S. 51st Street, Ste 102  
Phoenix, Arizona 85044  
www.adamsrite.com

# 8475 MORTISE MID-PANEL EXIT DEVICE

# 8475 MORTISE MID-PANEL EXIT DEVICE



## 8475 Mortise Mid-Panel Exit Device

ITEM	PART NUMBER	DESCRIPTION	UNITS PKGD	2017 PRICE
1	23-0110	Back-up plate	Each	\$11.00
2	S262-10R10N-603-MP	#10-32 × 5/8" flat head screw	Pkg. of 10	\$6.00
3	31-0561-01-IP	Strike assembly	Each	\$14.00
4	S232C08H02N-MP	#8-32 × 1/8" cup point set screw	Pkg. of 10	\$17.00
5	31-0265-IP	Dogging assembly, complete	Each	\$18.00
6	25-0471-IP	End cap (hinge end)	Each	\$9.00
7	S292-10R10-603-MP	#10-32 × 5/8" self-tapping screw	Pkg. of 10	\$8.00
8	S277-10R08-603-MP	#10-32 × 1/2" pan head SEMS screw	Pkg. of 10	\$7.00
9	29-0481-MP	Dogging key	Pkg. of 10	\$28.00
10*	8475 PUSH BAR (-PB) - 313, 335, 628 FINISH	Push bar assembly: order by exit device series (8475), door opening width and 313, 335, or 628 finish	Each	\$124.00
	8475 PUSH BAR (-PB) - 630 FINISH	Push bar assembly: order by exit device series (8475), door opening width and US32D (630) finish	Each	\$332.00
	8475 PUSH BAR (-PB) - 605, 606, 629 FINISH	Push bar assembly: order by exit device series (8475), door opening width and US3 (605), US4 (606), US32 (629) finishes	Each	\$375.00
11	S261-10R04N603-MP	#10-32 × 1/4" pan head screw	Pkg. of 10	\$7.00
12	S277-10R04-603-MP	#10-32 × 1/4" pan head SEMS screw (link)	Pkg. of 10	\$9.00
13	22-0551	Upper link for narrow stile	Each	\$14.00
	22-0551-01	Upper link for medium/wide stile	Each	\$12.00
14	25-0473	Door cover	Each	\$7.00
15	31-0572-IP	End cap assembly, nose end - complete	Each	\$17.00
	91-0244-335-P	#8-32 × 1/4" flat head screws, 335 finish	Pkg. of 2	\$4.00
16	91-0244-628-P	#8-32 × 1/4" flat head screws, 628 finish	Pkg. of 2	\$4.00
	24-0137-01-313	Faceplate kit with screws, flat or bevel, 313 finish	Each	List
17	24-0137-01-335	Faceplate kit with screws, flat or bevel, 335 finish	Each	List
	24-0137-01-628	Faceplate kit with screws, flat or bevel, 628 finish	Each	List
	24-0137-01-672	Faceplate kit with screws, flat or bevel, US26 (672) finish	Each	List
	24-0137-01-702	Faceplate kit with screws, flat or bevel, US26D (702) finish	Each	List
	24-0137-02-313	Faceplate kit with screws, radius, 313 finish	Each	List
	24-0137-02-335	Faceplate kit with screws, radius, 335 finish	Each	List
	24-0137-02-628	Faceplate kit with screws, radius, 628 finish	Each	List
	24-0137-02-672	Faceplate kit with screws, radius, US26 (672) finish	Each	List
	24-0137-02-702	Faceplate kit with screws, radius, US26D (702) finish	Each	List
	24-0137-03-313	Faceplate kit with screws, radius with weatherstrip, 313 finish	Each	List
24-0137-03-335	Faceplate kit with screws, radius with weatherstrip, 335 finish	Each	List	
24-0137-03-628	Faceplate kit with screws, radius with weatherstrip, 628 finish	Each	List	
18	22-0552	Mounting plate	Each	\$6.00

List = Refer to current pricelist  
 Note: Please contact factory for information on the 8475 Midpoint Mortise Exit Device.  
 Note: \*Item No. 10 (above) requires dimensions between two facing stile sections (Dimension "A"). Please contact factory for more information.

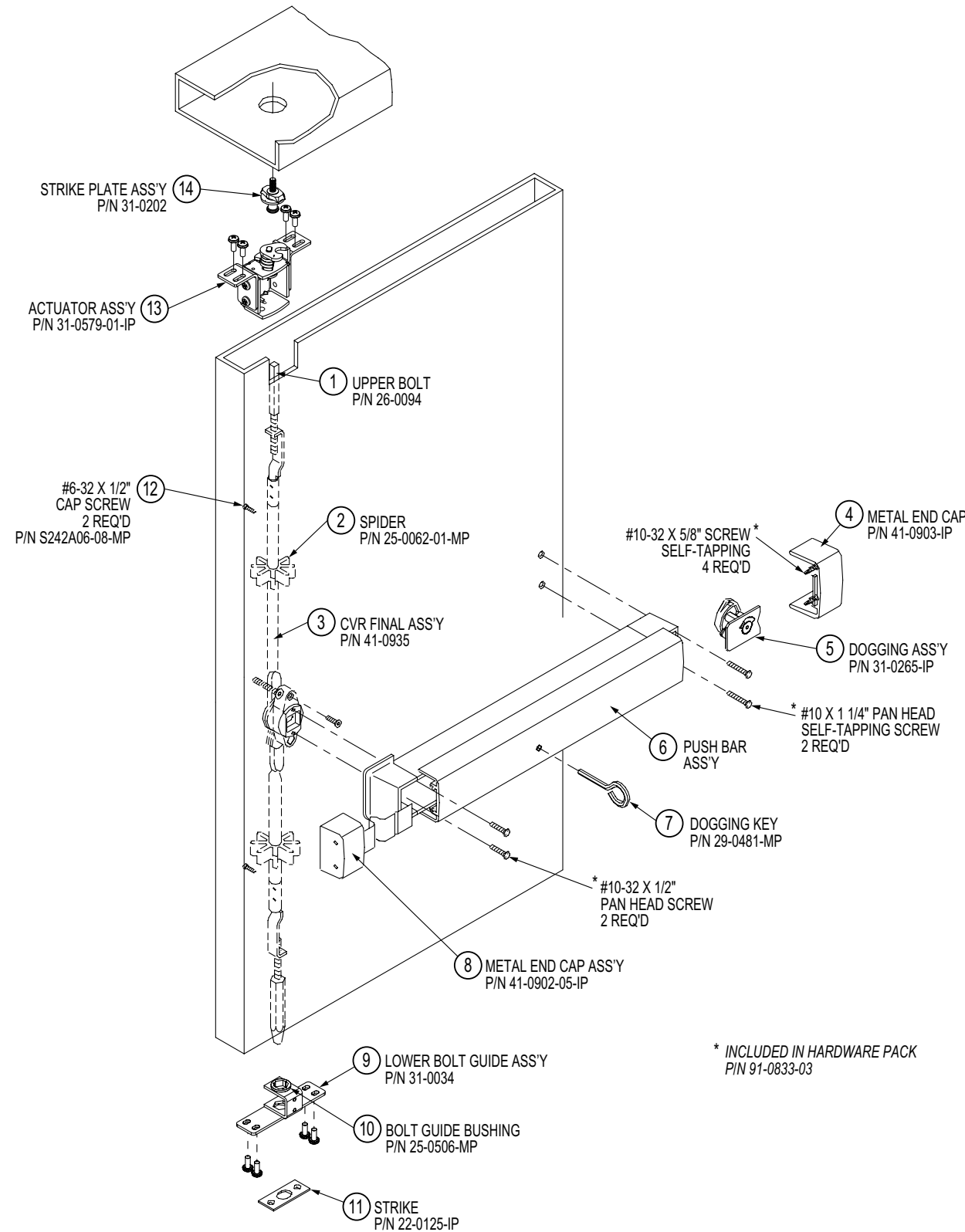
ASSA ABLOY, the global leader in door opening solutions



800.872.3267 • Fax 800.232.7329  
 10027 S. 51st Street, Ste 102  
 Phoenix, Arizona 85044  
 www.adamsrite.com



# 8500 Series CONCEALED VERTICAL ROD



# 8500 Series CONCEALED VERTICAL ROD

## 8500 Series Metal Door Concealed Vertical Rod

ITEM	PART NUMBER	DESCRIPTION	UNITS PKGD	2017 PRICE
1	26-0094	Upper bolt	Each	\$8.00
2	25-0062-01-MP	Spider	Pkg. of 10	\$19.00
3	41-0935	CVR final assembly, complete with bolts	Each	\$150.00
4	41-0903-IP	Metal end cap assembly, hinge end	Each	\$20.00
5	31-0265-IP	Dogging assembly, complete	Each	\$18.00
6	8500 PUSH BAR (-PB) - 313, 335, 628 FINISH	Push bar assembly: order by exit device series (8500), door opening width and 313, 335, or 628 finish	Each	\$124.00
	8500 PUSH BAR (-PB) - 630 FINISH	Push bar assembly: order by exit device series (8500), door opening width and US32D (630) finish	Each	\$332.00
	8500 PUSH BAR (-PB) - 605, 606, 629 FINISH	Push bar assembly: order by exit device series (8500), door opening width and US3 (605), US4 (606), US32 (629) finishes	Each	\$375.00
7	29-0481-MP	Dogging key	Pkg. of 10	\$28.00
8	41-0902-05-IP	Metal end cap assembly, nose end	Each	\$24.00
9	31-0034	Lower bolt guide assembly	Each	\$9.00
10	25-0506-MP	Bolt guide bushing	Pkg. of 10	\$7.00
11	22-0125-IP	Strike (ANSI)	Each	\$19.00
12	S242A06-08-MP	#6-32 x 1/2" cap screw, rod piercing	Pkg. of 10	\$10.00
13	31-0579-01-IP	Top actuator assembly	Each	\$85.00
14	31-0202	Strike plate assembly	Each	\$28.00
*	91-0836-01-603	Hardware pack	Each	\$12.00
NS	80-0180-39-01	Device template, 8500	Each	\$10.00
NS	80-0180-39-02	Strike template, 8500	Each	\$10.00
NS	80-0180-51	Installation sheet, 8600	Each	Email only

NS = Not shown  
Note: Consult factory for doors over 66" above pushbar.

ASSA ABLOY, the global leader in door opening solutions



800.872.3267 • Fax 800.232.7329  
10027 S. 51st Street, Ste 102  
Phoenix, Arizona 85044  
www.adamsrite.com

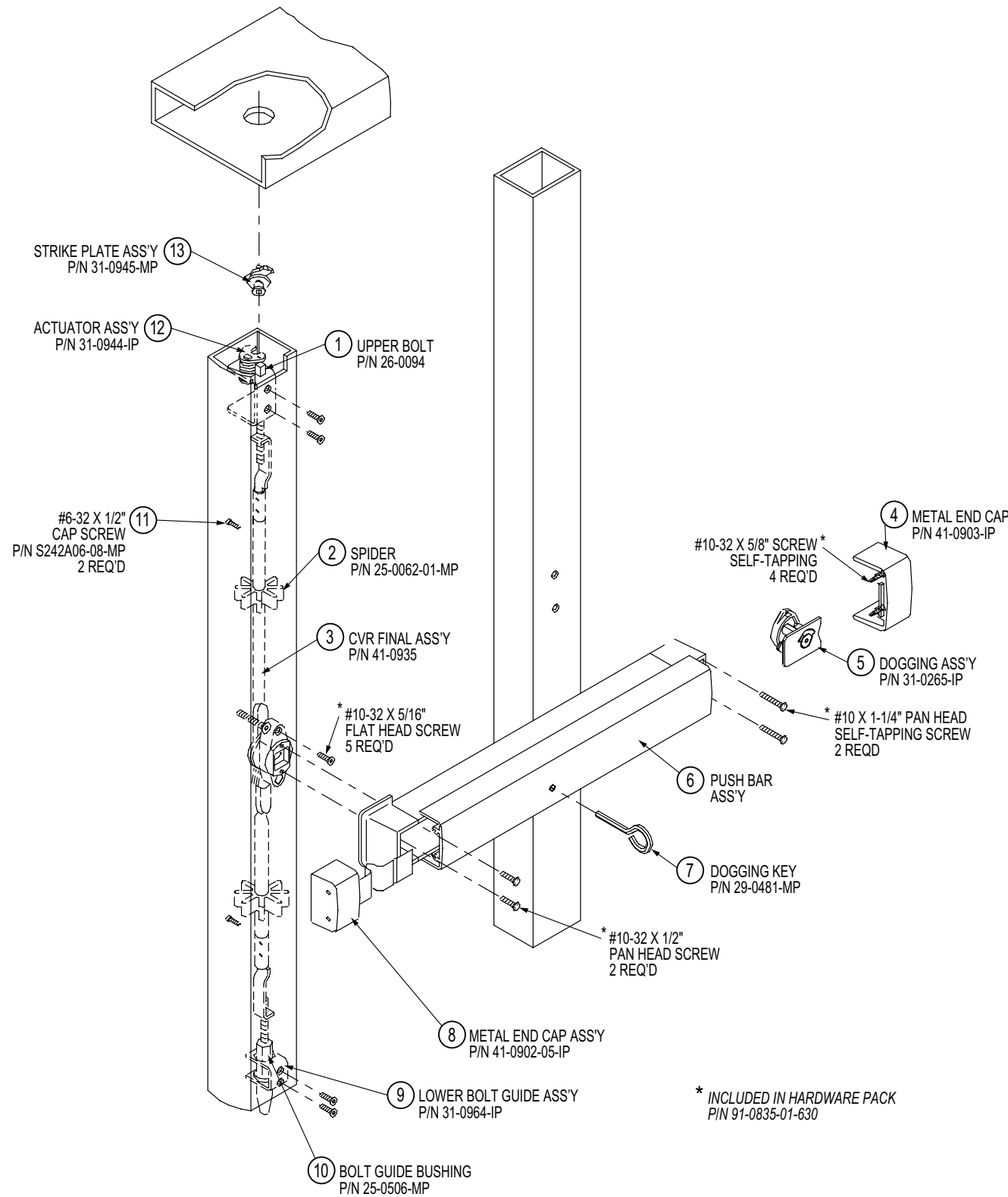
# 8600 Series CONCEALED VERTICAL ROD

# 8600 Series CONCEALED VERTICAL ROD

## 8600 Series Narrow Stile Concealed Vertical Rod

ITEM	PART NUMBER	DESCRIPTION	UNITS PKGD	2017 PRICE
1	26-0094	Upper bolt	Each	\$8.00
2	25-0062-01-MP	Spider	Pkg. of 10	\$19.00
3	41-0935	CVR final assembly, complete with bolts	Each	\$150.00
4	41-0903-IP	Metal end cap assembly, hinge end	Each	\$20.00
5	31-0265-IP	Dogging assembly, complete	Each	\$18.00
6	8600 PUSH BAR (-PB) - 313, 335, 628 FINISH	Push bar assembly: order by exit device series (8600), door opening width and 313, 335, or 628 finish	Each	\$124.00
	8600 PUSH BAR (-PB) - 630 FINISH	Push bar assembly: order by exit device series (8600), door opening width and US32D (630) finish	Each	\$332.00
	8600 PUSH BAR (-PB) - 605, 606, 629 FINISH	Push bar assembly: order by exit device series (8600), door opening width and US3 (605), US4 (606), US32 (629) finishes	Each	\$375.00
7	29-0481-MP	Dogging key	Pkg. of 10	\$28.00
8	41-0902-05-IP	Metal end cap assembly, nose end	Each	\$24.00
9	31-0964-IP	Lower bolt guide assembly	Each	\$7.00
10	25-0506-MP	Bolt guide bushing	Pkg. of 10	\$7.00
11	S242A06-08-MP	#6-32 x 1/2" cap screw, rod piercing	Pkg. of 10	\$10.00
12	31-0944-IP	Actuator, top assembly	Each	\$29.00
13	31-0945	Strike plate assembly	Each	\$19.00
	31-0945-MP	Strike plate assembly multipack	Pkg. of 10	\$180.00
*	91-0835-01-630	Hardware Pack	Each	\$5.00
NS	80-0180-39-01	Device template, 8500	Each	\$10.00
NS	80-0180-39-02	Strike template, 8500	Each	\$10.00
NS	80-0180-51	Installation sheet, 8600	Each	Email only

NS = Not shown



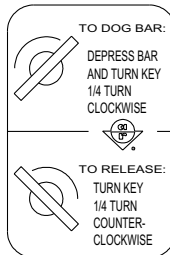
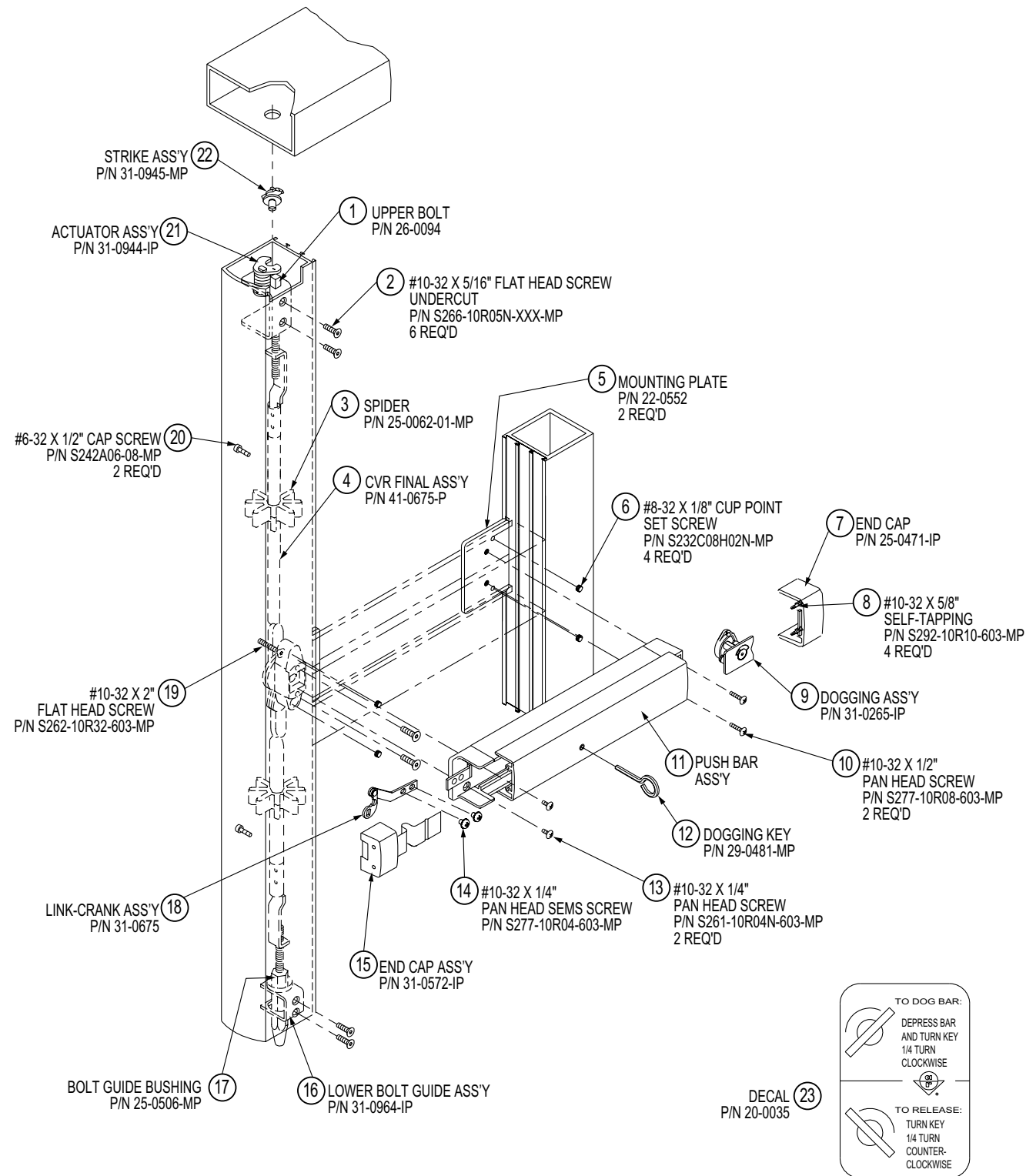
\* INCLUDED IN HARDWARE PACK  
P/N 91-0835-01-630

ASSA ABLOY, the global leader in door opening solutions



800.872.3267 • Fax 800.232.7329  
10027 S. 51st Street, Ste 102  
Phoenix, Arizona 85044  
www.adamsrite.com

# 8675 CONCEALED VERTICAL ROD MID-PANEL EXIT DEVICE



# 8675 CONCEALED VERTICAL ROD MID-PANEL EXIT DEVICE

## 8675 Concealed Vertical Rod Mid-Panel Exit Device

ITEM	PART NUMBER	DESCRIPTION	UNITS PKGD	2017 PRICE
1	26-0094	Upper bolt	Each	\$8.00
2	S266-10R05N-119-MP	#10-32 x 5/16" flat head screw, 119 finish	Pkg. of 10	\$11.00
	S266-10R05N-603-MP	#10-32 x 5/16" flat head screw, 603 finish	Pkg. of 10	\$9.00
3	25-0062-01-MP	Spider	Pkg. of 10	\$19.00
4	41-0675-P	CVR final assembly, complete with bolts	Each	\$137.00
5	22-0552	Mounting plate	Each	\$6.00
6	S232C08H02N-MP	#8-32 x 1/8" cup point set screw	Pkg. of 10	\$17.00
7	25-0471-IP	End cap (hinge end)	Each	\$9.00
8	S292-10R10-603-MP	#10-32 x 5/8" self-tapping screw	Pkg. of 10	\$8.00
9	31-0265-IP	Dogging assembly, complete	Each	\$18.00
10	S277-10R08-603-MP	#10-32 x 1/2" pan head SEMS screw	Pkg. of 10	\$7.00
11	8675 PUSH BAR (-PB) - 313, 335, 628 FINISH	Push bar assembly: order by exit device series (8675), door opening width and 313, 335, or 628 finish	Each	\$124.00
	8675 PUSH BAR (-PB) - 630 FINISH	Push bar assembly: order by exit device series (8675), door opening width and US32D (630) finish	Each	\$332.00
	8675 PUSH BAR (-PB) - 605, 606, 629 FINISH	Push bar assembly: order by exit device series (8675), door opening width and US3 (605), US4 (606), US32 (629) finishes	Each	\$375.00
12	29-0481-MP	Dogging key	Pkg. of 10	\$28.00
13	S261-10R04N603-MP	#10-32 x 1/4" pan head screw	Pkg. of 10	\$7.00
14	S277-10R04-603-MP	#10-32 x 1/4" pan head SEMS screw (link)	Pkg. of 10	\$9.00
15	31-0572-IP	End cap assembly, nose end - complete	Each	\$17.00
16	31-0964-IP	Lower bolt guide assembly	Each	\$7.00
17	25-0506-MP	Bolt guide bushing	Pkg. of 10	\$7.00
18	31-0675	Link-crank assembly	Each	\$8.00
19	S262-10R32-603-MP	#10-32 x 2" flat head screw	Pkg. of 10	\$6.00
20	S242A06-08-MP	#6-32 x 1/2" cap screw, rod piercing	Pkg. of 10	\$10.00
21	31-0944-IP	Actuator, top assembly	Each	\$29.00
22	31-0945	Strike plate assembly	Each	\$19.00
	31-0945-MP	Strike plate assembly multipack	Pkg. of 10	\$180.00
23	20-0035	Decal (dogging instructions)	Each	\$15.00
NS	80-0180-137	Device installation sheet, 8675	Each	Email only
NS	80-0180-134	Strike installation sheet, 8675	Each	Email only

NS = Not shown

Note: Consult factory for doors over 66" above pushbar.

Note: Please contact factory for information on the 8675 CVR Midpanel Exit Device.

ASSA ABLOY, the global leader in door opening solutions



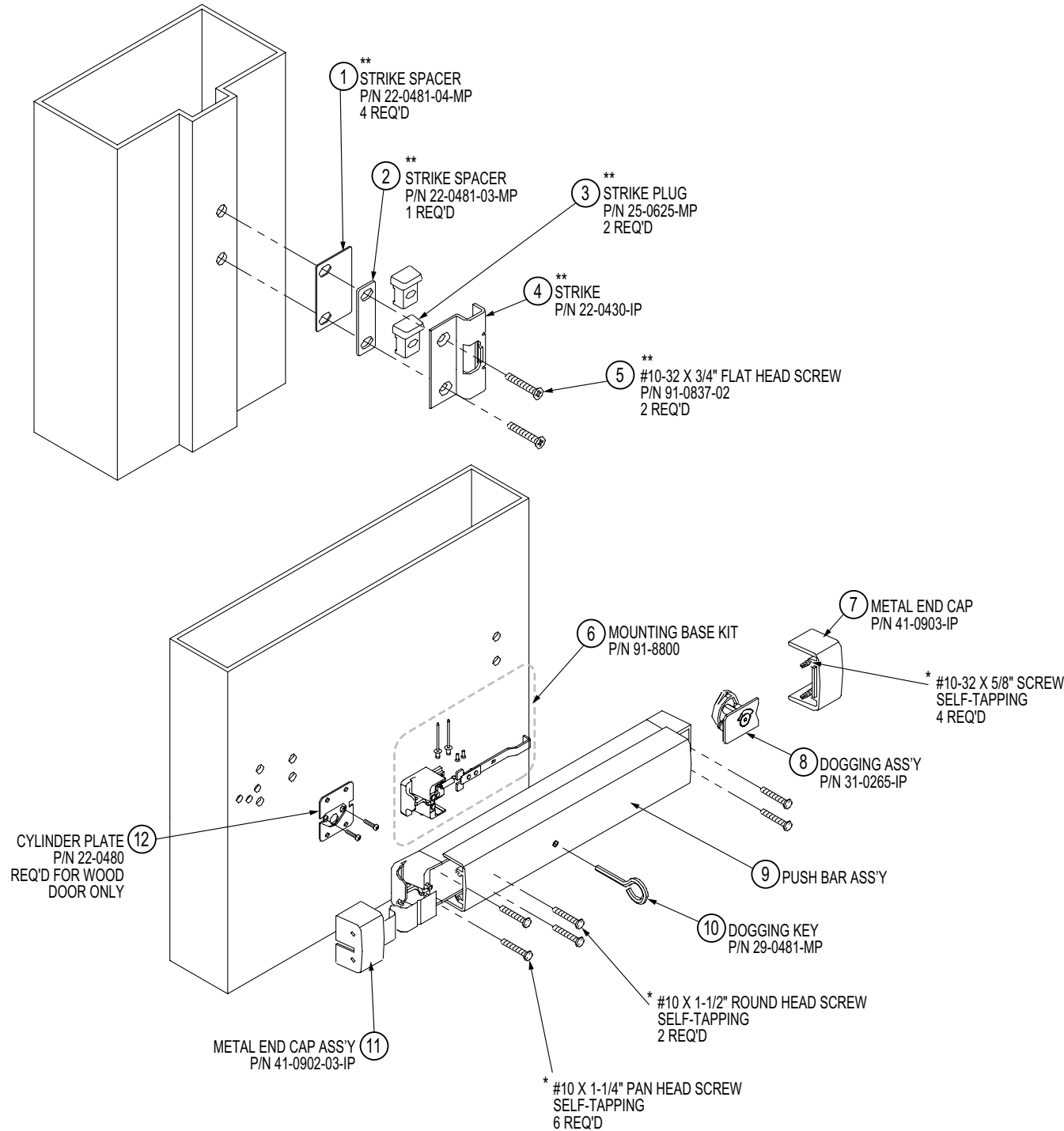
800.872.3267 • Fax 800.232.7329  
10027 S. 51st Street, Ste 102  
Phoenix, Arizona 85044  
www.adamsrite.com

# 8700 Series

## RIM EXIT DEVICE

# 8700 Series

## RIM EXIT DEVICE



\* INCLUDED IN SCREW PACK P/N 91-0837-01  
 \*\* INCLUDED IN FRAME KIT P/N 91-0991-02

### 8700 Series Rim Exit Device

ITEM	PART NUMBER	DESCRIPTION	UNITS PKGD	2017 PRICE
1	22-0481-04-MP	Strike spacer	Pkg. of 10	\$20.00
2	22-0481-03-MP	Strike spacer	Pkg. of 10	\$20.00
3	25-0625-MP	Strike plug	Pkg. Of 2	\$10.00
4	22-0430-IP	Strike	Each	\$9.00
5	91-0837-02	#10-32 x 3/4" flat head screws	Pkg. of 2	\$5.00
6	91-8800	Mounting base kit, includes starwheel	Each	\$124.00
7	41-0903-IP	Metal end cap assembly, hinge end	Each	\$20.00
8	31-0265-IP	Dogging assembly, complete	Each	\$18.00
9	8700 PUSH BAR (-PB) - 313, 335, 628 FINISH	Push bar assembly: order by exit device series (8700), door opening width and 313, 335, or 628 finish	Each	\$124.00
	8700 PUSH BAR (-PB) - 630 FINISH	Push bar assembly: order by exit device series (8700), door opening width and US32D (630) finish	Each	\$332.00
	8700 PUSH BAR (-PB) - 605, 606, 629 FINISH	Push bar assembly: order by exit device series (8700), door opening width and US3 (605), US4 (606), US32 (629) finishes	Each	\$375.00
10	29-0481-MP	Dogging key	Pkg. of 10	\$28.00
11	41-0902-03-IP	Metal end cap assembly, latch end	Each	\$24.00
12	22-0480	Cylinder plate for wood door applications	Each	\$10.00
*	91-0837-01	Hardware pack	Each	\$5.00
**	91-0991-02-P	Frame kit for wood and hollow metal	Each	\$38.00
NS	80-0180-124-01	Device template, 3700	Each	\$10.00
NS	80-0180-124-02	Strike template, 3700	Each	\$10.00
NS	80-0180-40	Installation sheet, 8700	Each	Email only

NS = Not shown

ASSA ABLOY, the global leader in door opening solutions



800.872.3267 • Fax 800.232.7329  
 10027 S. 51st Street, Ste 102  
 Phoenix, Arizona 85044  
 www.adamsrite.com

# 8800 Series

## RIM EXIT DEVICE

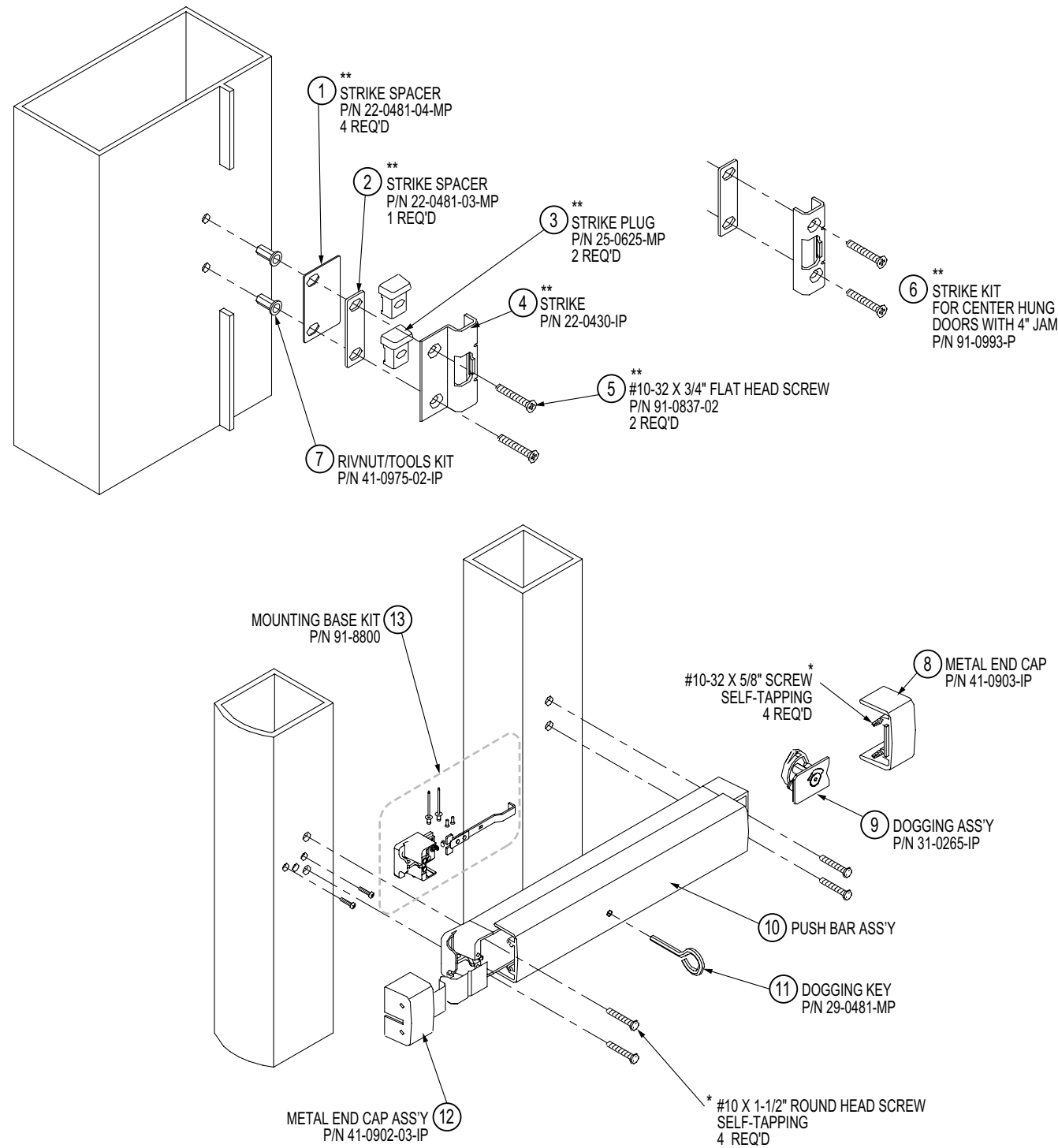
# 8800 Series

## RIM EXIT DEVICE

### 8800 Series Narrow Stile Rim Exit Device

ITEM	PART NUMBER	DESCRIPTION	UNITS PKGD	2017 PRICE
1	22-0481-04-MP	Strike spacer	Pkg. of 10	\$20.00
2	22-0481-03-MP	Strike spacer	Pkg. of 10	\$20.00
3	25-0625-MP	Strike plug	Pkg. Of 2	\$10.00
4	22-0430-IP	Strike	Each	\$9.00
5	91-0837-02	#10-32 x 3/4" flat head screws	Pkg. of 2	\$5.00
6	91-0993-P	Strike kit for center hung door with 4" jamb	Each	\$22.00
7	41-0975-02-IP	Rivnut tool kit assembly	Each	\$11.00
8	41-0903-IP	Metal end cap assembly, hinge end	Each	\$20.00
9	31-0265-IP	Dogging assembly, complete	Each	\$18.00
10	8800 PUSH BAR (-PB) - 313, 335, 628 FINISH	Push bar assembly: order by exit device series (8800), door opening width and 313, 335, or 628 finish	Each	\$124.00
	8800 PUSH BAR (-PB) - 630 FINISH	Push bar assembly: order by exit device series (8800), door opening width and US32D (630) finish	Each	\$332.00
	8800 PUSH BAR (-PB) - 605, 606, 629 FINISH	Push bar assembly: order by exit device series (8800), door opening width and US3 (605), US4 (606), US32 (629) finishes	Each	\$375.00
11	29-0481-MP	Dogging key	Pkg. of 10	\$28.00
12	41-0902-03-IP	End cap assembly, latch end - metal	Each	\$24.00
13	91-8800	Mounting base kit, includes starwheel	Each	\$124.00
*	91-0837-01	Hardware pack	Each	\$5.00
**	91-0992-02-P	Frame kit for aluminum	Each	\$63.00
NS	80-0180-125-01	Device template, 8800	Each	\$10.00
NS	80-0180-125-02	Strike template, 8800	Each	\$10.00
NS	80-0180-41	Installation sheet, 8800	Each	Email only

NS = Not shown



\* INCLUDED IN SCREW PACK PIN 91-0837-01

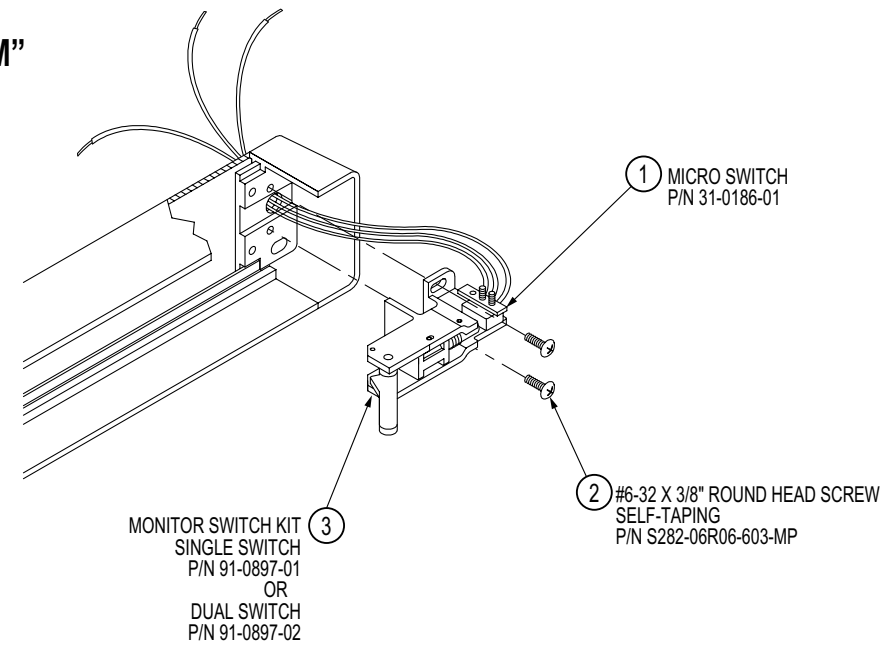
\*\* INCLUDED IN FRAME KIT PIN 91-0992-02-P

ASSA ABLOY, the global leader in door opening solutions



800.872.3267 • Fax 800.232.7329  
 10027 S. 51st Street, Ste 102  
 Phoenix, Arizona 85044  
[www.adamsrite.com](http://www.adamsrite.com)

**MONITORING KITS "M"**

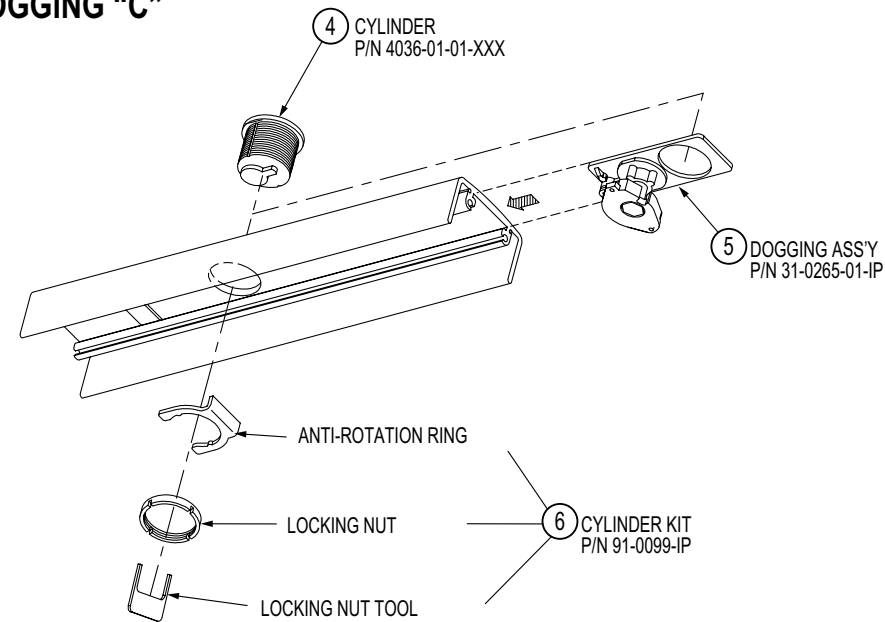


**Accessories for Exit Devices**

ITEM	PART NUMBER	DESCRIPTION	UNITS PKGD	2017 PRICE
<b>Monitoring Kits "M"</b>				
1	31-0186-01	Micro switch assembly with wires	Each	\$63.00
2	S282-06R06-603-MP	#6-32 x 3/8" round head self-tapping screw	Pkg. of 10	\$7.00
3	91-0897-01	Single switch monitor kit (includes: monitor switch assembly, screws, wire nuts and installation instructions)	Each	List
	91-0897-02	Dual switches monitor kit (includes: monitor switch assembly, screws, wire nuts and installation instructions)	Each	List
<b>Cylinder Dogging "C"</b>				
4	4036-01-01-313	Mortise cylinder, 313 finish	Each	List
	4036-01-01-335	Mortise cylinder, 335 finish	Each	List
	4036-01-01-628	Mortise cylinder, 628 finish	Each	List
5	31-0265-01-IP	Dogging Assembly	Each	\$18.00
6	91-0099-IP	Cylinder kit	Each	\$14.00

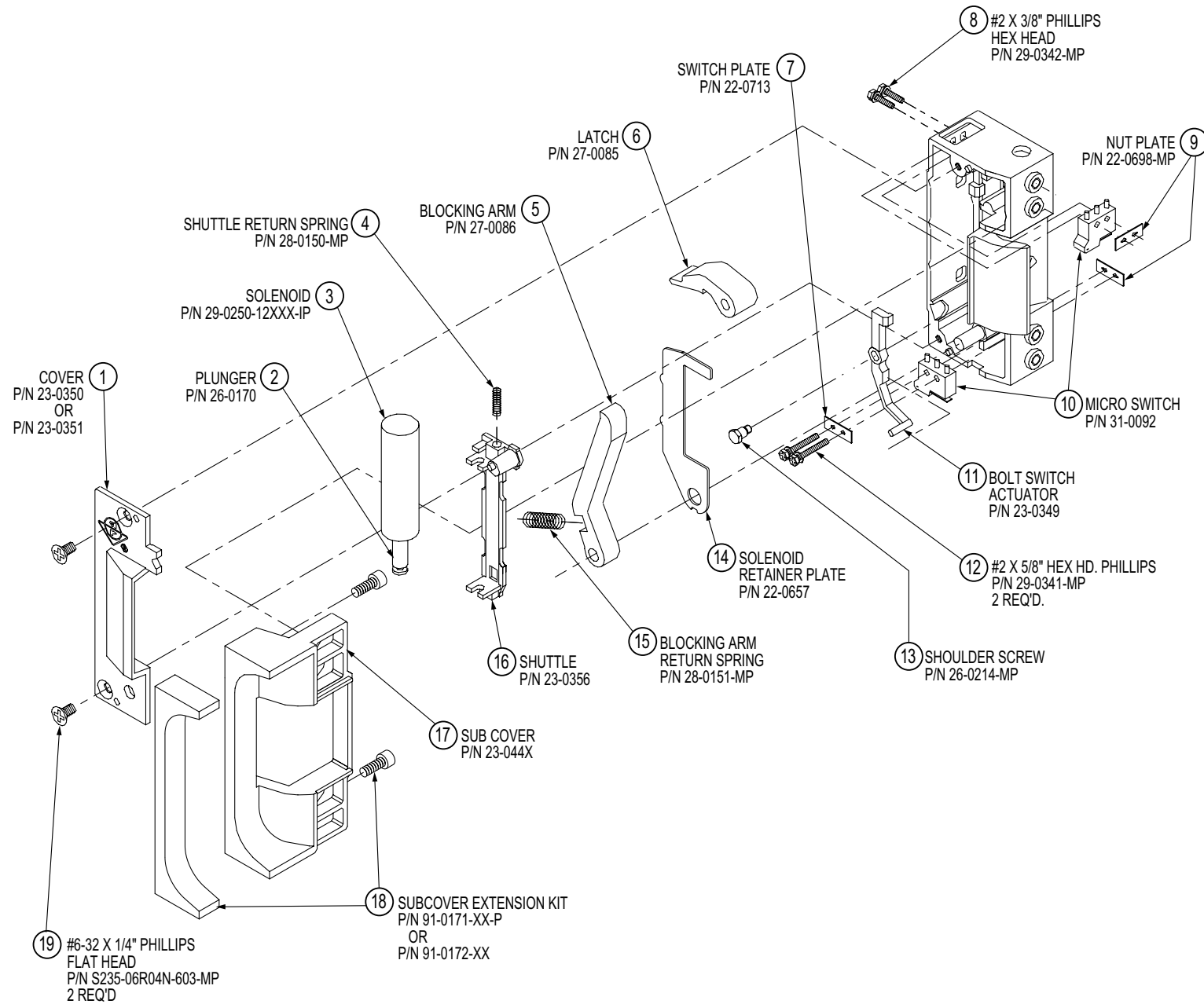
List = Refer to current pricelist

**CYLINDER DOGGING "C"**



# 7100 ELECTRIC STRIKE

# 7100 ELECTRIC STRIKE



## 7100 Electric Strike

ITEM	PART NUMBER	DESCRIPTION	UNITS PKGD	2017 PRICE
1	23-0350	Back cover 1/2" (7100, 7101, 7110, 7111, 7130, 7131, 7140)	Each	\$10.00
	23-0351	Back cover 3/4" (7160, 7170)	Each	\$10.00
2	26-0170	Plunger	Each	\$5.00
3	29-0250-12ACI-IP	Solenoid; 12 VAC intermittent	Each	\$41.00
	29-0250-12DCC-IP	Solenoid; 12 VDC continuous / 24 VAC intermittent	Each	\$41.00
	29-0250-16ACI-IP	Solenoid; 16 VAC intermittent	Each	\$41.00
	29-0250-16DCC-IP	Solenoid; 16 VDC continuous	Each	\$41.00
	29-0250-24DCC-IP	Solenoid; 24 VDC continuous	Each	\$41.00
4	28-0150-MP	Shuttle return spring	Pkg. of 10	\$6.00
5	27-0086	Blocking arm	Each	\$9.00
6	27-0085	Latch	Each	\$6.00
7	22-0713	Switch plate	Each	\$4.00
8	29-0342-MP	#2 x 3/8" Phillips hex head	Pkg. of 10	\$5.00
9	22-0698-MP	Nut plate	Pkg. of 10	\$10.00
10	31-0092	Microswitch	Each	\$80.00
11	23-0349	Bolt switch actuator	Each	\$8.00
12	29-0341-MP	#2 x 5/8" Phillips hex head	Pkg. of 10	\$8.00
13	26-0214-MP	Shoulder screw	Pkg. of 10	\$40.00
14	22-0657	Solenoid retainer plate	Each	\$9.00
15	28-0151-MP	Blocking arm return spring	Pkg. of 10	\$9.00
16	23-0356	Shuttle	Each	\$6.00
	23-0443	Subcover, 1/2" flat (7100, 7110, 7111, 7130, 7140)	Each	\$15.00
	23-0444	Subcover, 1/2" radius (7101, 7131)	Each	\$15.00
	23-0445	Subcover, 3/4" (7160, 7170)	Each	\$18.00
18*	91-0171-XX-P	Subcover lip extension kit (7100, 7110, 7111, 7130, 7140)	Each	List
	91-0172-XX-P	Subcover lip extension kit (7160, 7170)	Each	List
19	S235-06R04N-603-MP	#6-32 x 1/4" flat head screw	Pkg. of 10	\$5.00
NS	91-0077-01-335	Mounting kit (2-mounting tabs, 2-mounting screws, 2-press nuts, adhesive shims, 2-wire nuts), 335 finish	Each	\$13.00
	91-0077-01-603	Mounting kit (2-mounting tabs, 2-mounting screws, 2-press nuts, adhesive shims, 2-wire nuts), 603 finish	Each	\$13.00

List = Refer to current pricelist  
NS = Not shown

Note: \*Item #18 (above) Specify lip extension requirements, refer to catalog for "A" dimension. Extensions provided in 1/8" increments beginning with -01 for a 3/8" extension.

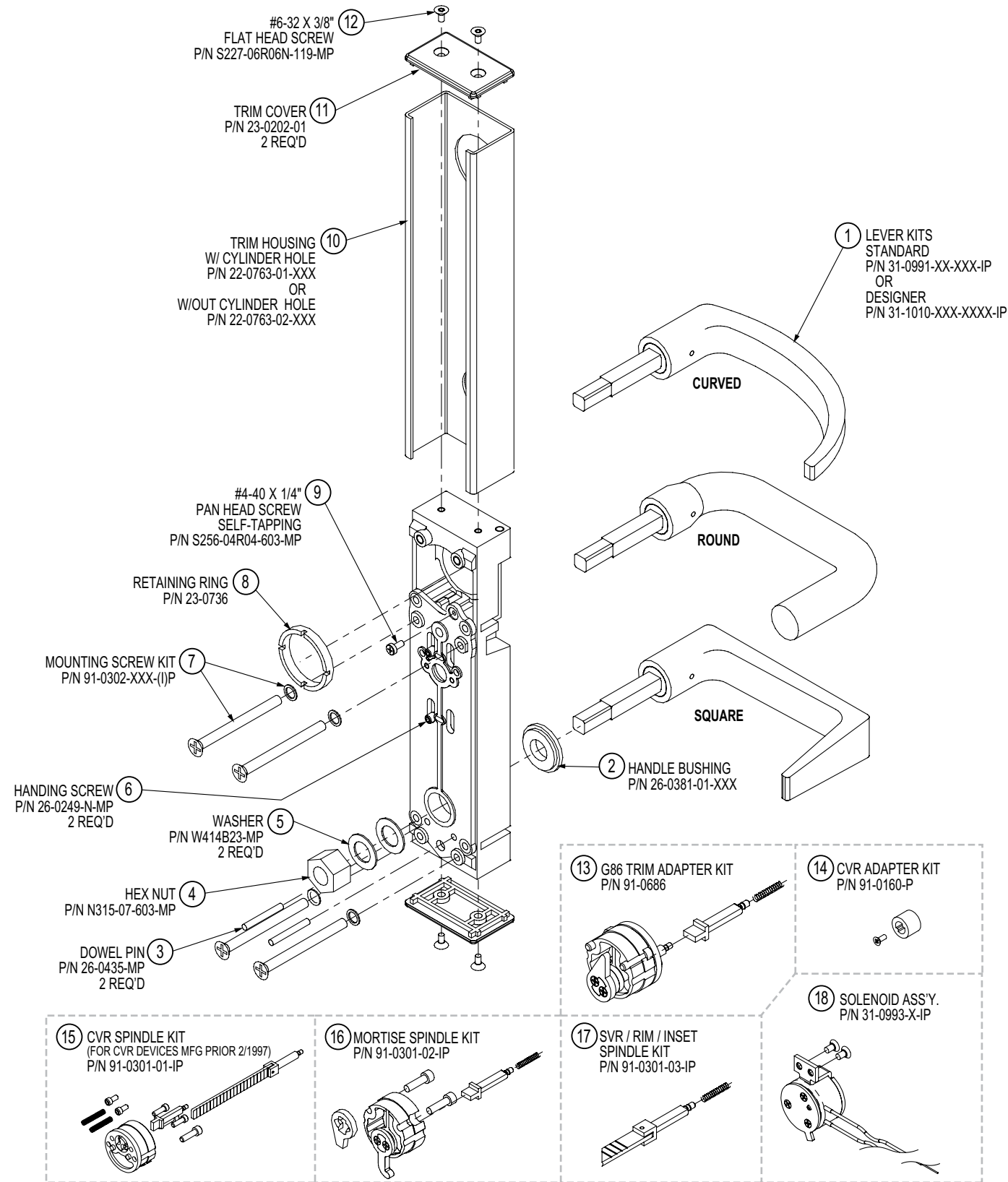
ASSA ABLOY, the global leader in door opening solutions



800.872.3267 • Fax 800.232.7329  
10027 S. 51st Street, Ste 102  
Phoenix, Arizona 85044  
www.adamsrite.com

# 3080 Series

## ENTRY TRIM



## 3080 Series Entry Trim

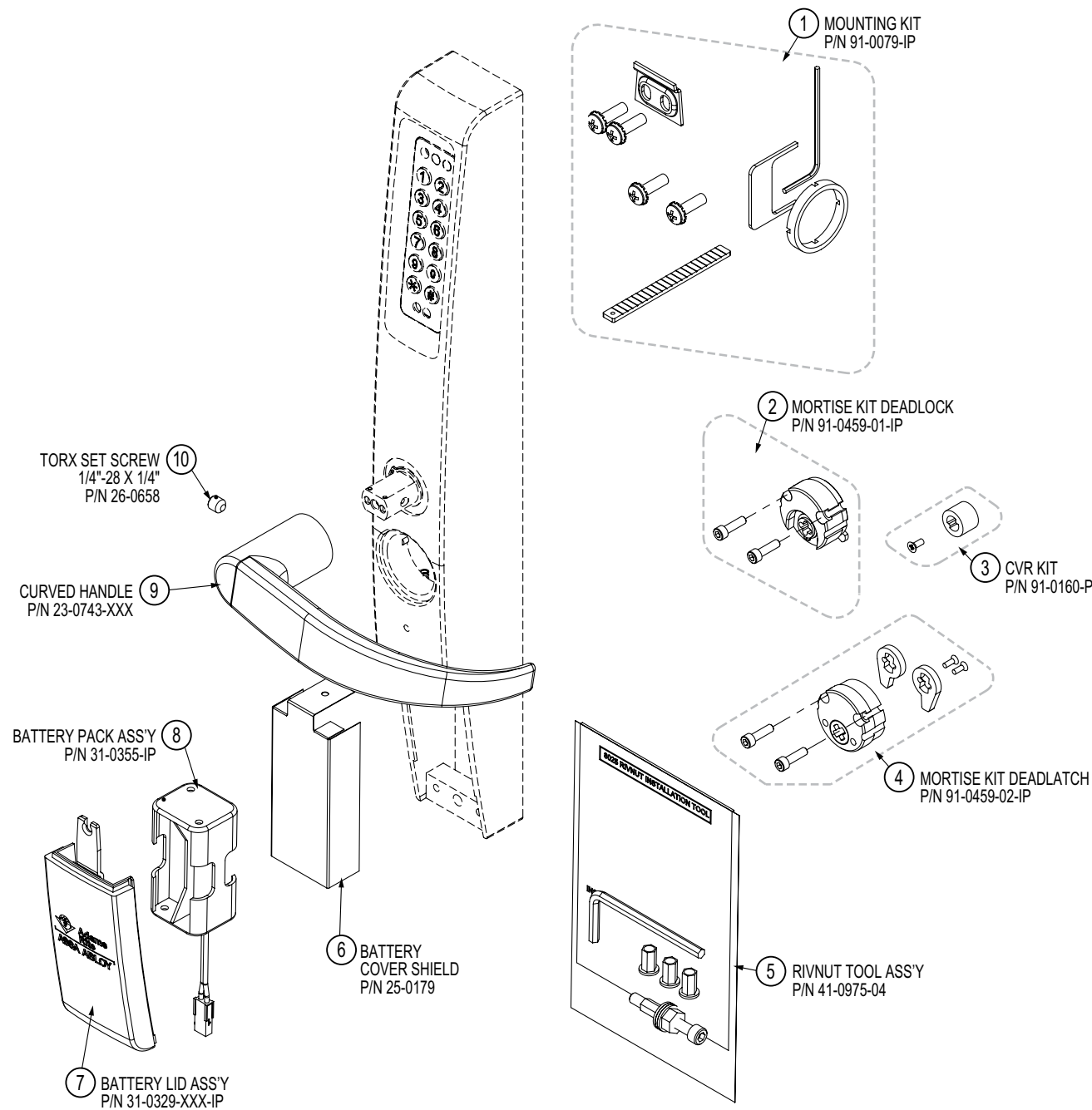
ITEM	PART NUMBER	DESCRIPTION	UNITS PKGD	2017 PRICE
1	31-0991-02-10B-IP	Round lever kit, US10B (613) finish	Each	\$80.00
	31-0991-02-630-IP	Round lever kit, US32D (630) finish	Each	\$80.00
	31-0991-03-10B-IP	Square lever kit, US10B (613) finish	Each	\$80.00
	31-0991-03-630-IP	Square lever kit, US32D (630) finish	Each	\$80.00
	31-0991-01-10B-IP	Curved lever kit, US10B (613) finish	Each	\$80.00
	31-0991-01-630-IP	Curved lever kit, US32D (630) finish	Each	\$80.00
	31-1010-MD0-10B-IP	Designer lever kit, Centro Series MD, 10B (613) finish	Each	\$125.00
	31-1010-MD0-US32D-IP	Designer lever kit, Centro Series MD, US32D (630) finish	Each	\$125.00
	31-1010-ME0-10B-IP	Designer lever kit, Aventura Series ME, 10B (613) finish	Each	\$125.00
	31-1010-ME0-US32D-IP	Designer lever kit, Aventura Series ME, US32D (630) finish	Each	\$125.00
	31-1010-MG0-10B-IP	Designer lever kit, Aventura Series MG, 10B (613) finish	Each	\$125.00
	31-1010-MG0-US32D-IP	Designer lever kit, Aventura Series MG, US32D (630) finish	Each	\$125.00
	31-1010-MI0-US32D	Designer lever kit, Aventura Series MI, 10B (613) finish	Each	\$125.00
	31-1010-MI0-US32D-IP	Designer lever kit, Aventura Series MI, US32D (630) finish	Each	\$125.00
	31-1010-MJ0-10B-IP	Designer lever kit, Centro Series MJ, 10B (613) finish	Each	\$125.00
	31-1010-MJ0-US32D-IP	Designer lever kit, Centro Series MJ, US32D (630) finish	Each	\$125.00
	31-1010-MN7-10B-IP	Designer lever kit, Odeon Series MN, left hand, 10B (613) finish	Each	\$125.00
	31-1010-MN7-US32D-IP	Designer lever kit, Odeon Series MN, left hand, US32D (630) finish	Each	\$125.00
	31-1010-MN8-10B-IP	Designer lever kit, Odeon Series MN, right hand, 10B (613) finish	Each	\$125.00
	31-1010-MN8-US32D-IP	Designer lever kit, Odeon Series MN, right hand, US32D (630) finish	Each	\$125.00
31-1010-MV7-10B-IP	Designer lever kit, Odeon Series MV, left hand, 10B (613) finish	Each	\$125.00	
31-1010-MV7-US32D-IP	Designer lever kit, Odeon Series MV, left hand, US32D (630) finish	Each	\$125.00	
31-1010-MV8-10B-IP	Designer lever kit, Odeon Series MV, right hand, 10B (613) finish	Each	\$125.00	
31-1010-MV8-US32D-IP	Designer lever kit, Odeon Series MV, right hand, US32D (630) finish	Each	\$125.00	
31-1010-MW0-10B-IP	Designer lever kit, Aventura Series MW, 10B (613) finish	Each	\$125.00	
31-1010-MW0-US32D-IP	Designer lever kit, Aventura Series MW, US32D (630) finish	Each	\$125.00	
2	26-0381-01-121	Handle bushing, 121 finish	Each	\$8.00
	26-0381-01-626	Handle bushing, US26D (626) finish	Each	\$8.00
3	26-0435-MP	Dowel pin	Pkg. of 10	\$13.00
4	N315-07-603-MP	Hex nut with nylon insert	Pkg. of 10	\$7.00
5	W414B23-MP	Washer	Pkg. of 10	\$10.00
6	26-0249N-MP	Handing screw	Pkg. of 10	\$46.00
7	91-0302-121-P	Mounting screw kit for US3 (605), US4 (606), and US26 (625) finishes	Each	\$33.00
	91-0302-603-IP	Mounting screw kit for US10B (613) and US26D (626) finishes	Each	\$24.00
8	23-0736	Retaining ring	Each	\$5.00
9	S256-04R04-603-MP	#4-40 x 1/4" pan head self-tapping screw	Pkg. of 10	\$6.00
	22-0763-01-121PC	Trim Housing with Cylinder Hole, matches US10B (613) finish	Each	\$33.00
10	22-0763-01-630	Trim Housing with Cylinder Hole, US32D (630) finish	Each	\$33.00
	22-0763-02-121PC	Trim Housing without Cylinder Hole, matches US10B (613) finish	Each	\$33.00
	22-0763-02-630	Trim Housing without Cylinder Hole, US32D (630) finish	Each	\$33.00
11	23-0202-01	Trim cover	Each	\$11.00
12	S227-06R06N-119-MP	#6-32 x 3/8" flat head screw	Pkg. of 10	\$7.00
13	91-0686	Trim kit adapter for G86 exit device	Each	\$27.00
14	91-0160-P	CVR tailpiece adaptor kit	Each	\$8.00
15	91-0301-01-IP	CVR spindle kit for devices manufactured prior to 1997	Each	\$30.00
16	91-0301-02-IP	Mortise spindle kit	Each	\$22.00
17	91-0301-03-IP	SVR / rim / inset spindle kit	Each	\$9.00
18	31-0993-1-IP	Solenoid assembly 24VDC fail-safe	Each	\$428.00
	31-0993-2-IP	Solenoid assembly 12VDC fail-safe	Each	\$428.00
	31-0993-3-IP	Solenoid assembly 24VDC fail-secure	Each	\$428.00
	31-0993-4-IP	Solenoid assembly 12VDC fail-secure	Each	\$428.00
NS	91-0118	Tactile strip kit for standard series levers 01, 03	Each	List
NS	80-0180-301-01	Stick-on template, SVR	Each	\$10.00
NS	80-0180-301-02	Stick-on template, mortise / mortise inset	Each	\$10.00
NS	80-0180-301-03	Stick-on template, CVR	Each	\$10.00
NS	80-0180-301-04	Stick-on template, rim	Each	\$10.00
NS	80-0180-301-05	Stick-on template, inset CVR	Each	\$10.00
NS	80-0180-301-08	Stick-on template, wood door CVR	Each	\$10.00
NS	80-0180-3080	Installation sheet	Each	Email only

List = Refer to current pricelist NS = Not shown Note: Solenoid assemblies can only be used in electrified 3080E Entry Trim.



**3090 eForce® Keyless Entry**

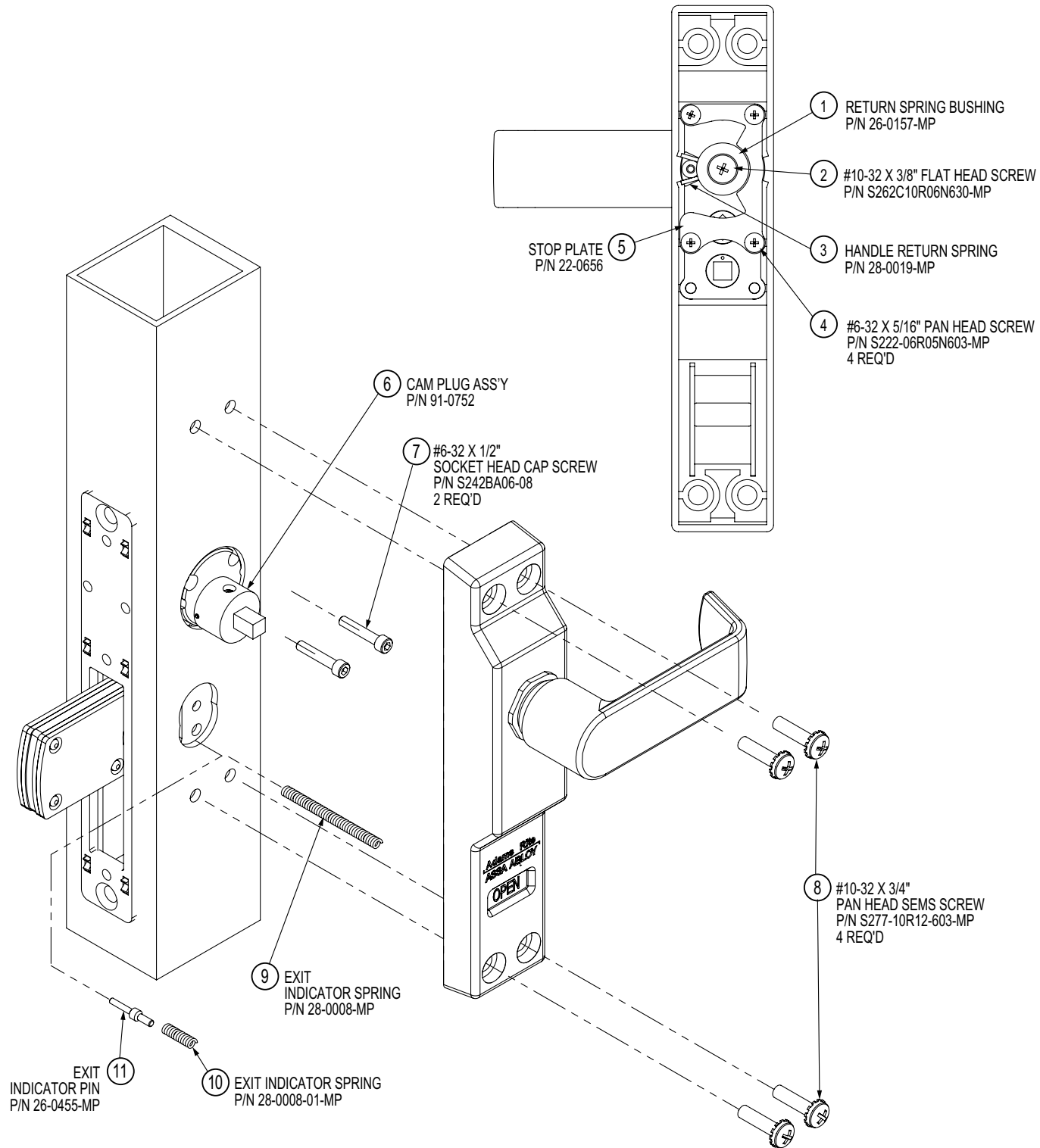
ITEM	PART NUMBER	DESCRIPTION	UNITS PKGD	2017 PRICE
1	91-0079-IP	Mounting kit	Each	\$13.00
2	91-0459-01-IP	Mortise kit, deadlock	Each	\$23.00
3	91-0160-P	CVR tailpiece adapter kit	Each	\$8.00
4	91-0459-02-IP	Mortise kit, deadlatch	Each	\$23.00
5	41-0975-04	Rivnut tool kit assembly	Each	\$12.00
6	25-0179	Battery cover, plastic shield	Each	\$5.00
7	31-0329-626-IP	Battery lid assembly, US26D (626) finish	Each	\$26.00
	31-0329-121PC-IP	Battery lid assembly, 121 dark bronze finish	Each	\$26.00
8	31-0355-IP	Battery pack assembly	Each	\$20.00
9	23-0743-626	Curved handle US26D (626) finish	Each	\$40.00
	23-0743-121PC	Curved handle 121 finish	Each	\$40.00
10	26-0658	Torx set screw 1/4"-28 x 1/4"	Each	\$5.00



ASSA ABLOY, the global leader in door opening solutions



800.872.3267 • Fax 800.232.7329  
10027 S. 51st Street, Ste 102  
Phoenix, Arizona 85044  
www.adamsrite.com



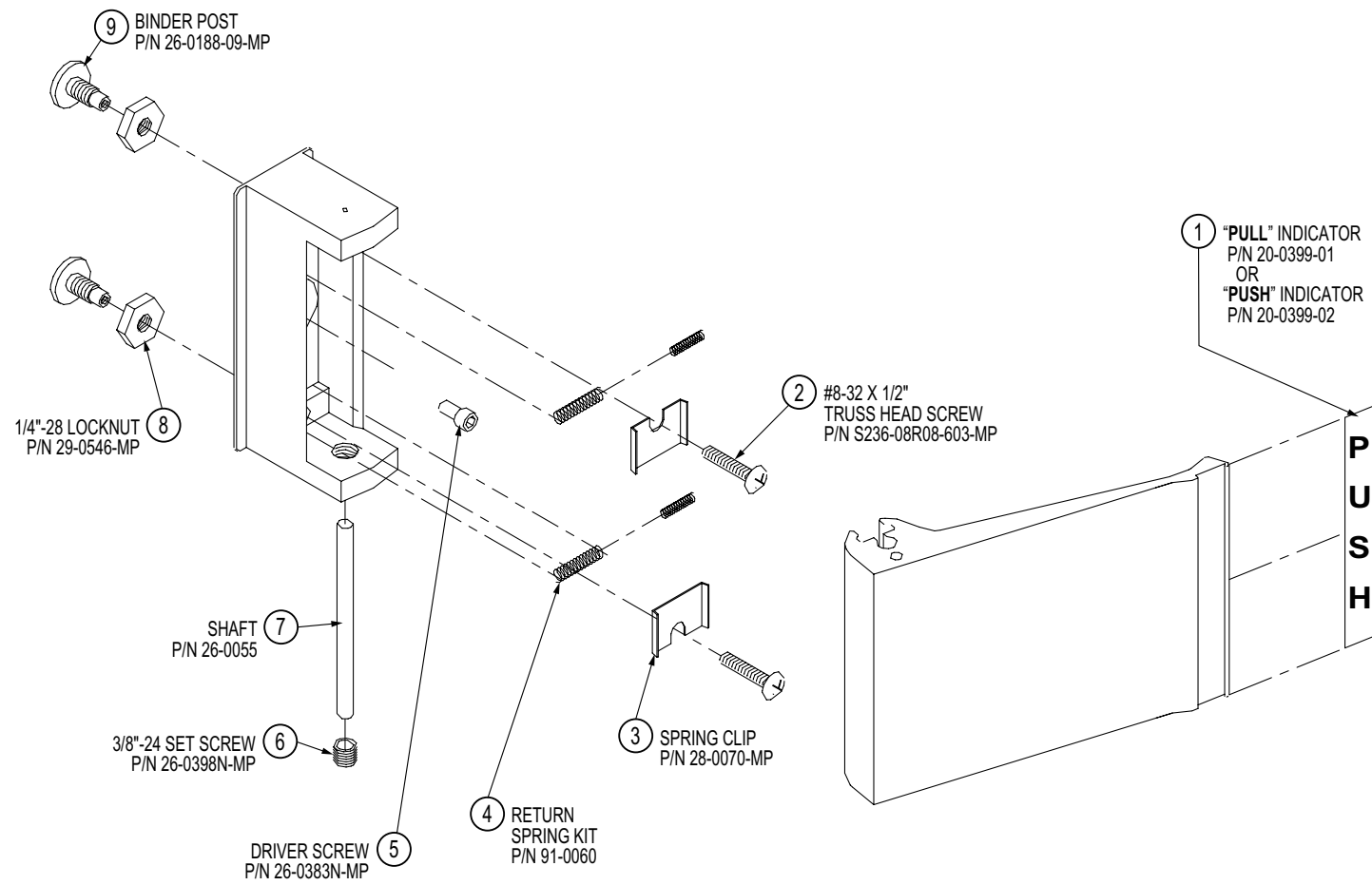
**4550 Deadlock Lever**

ITEM	PART NUMBER	DESCRIPTION	UNITS PKGD	2017 PRICE
1	26-0157-MP	Return spring bushing	Pkg. of 10	\$30.00
2	S262C10R06N630-MP	#10-32 x 3/8" flat head screw	Pkg. of 10	\$7.00
3	28-0019-MP	Handle return spring	Pkg. of 10	\$33.00
4	S222-06R05N603-MP	#6-32 x 5/16" pan head screw	Pkg. of 10	\$5.00
5	22-0656	Stop plate	Each	\$5.00
6	91-0752	Cam plug assembly kit, clutched MS lever	Each	\$73.00
7	S242BA06-08	#6-32 x 1/2" socket head cap screw	Each	\$5.00
8	S277-10R12-603-MP	#10-32 x 3/4" pan head SEMS screw	Pkg. of 10	\$6.00
9	28-0008-MP	Exit indicator spring	Pkg. of 10	\$13.00
10	28-0008-01-MP	Exit indicator spring for 2 or 3 point locks	Pkg. of 10	\$13.00
11	26-0455-MP	Exit indicator pin for 2 or 3 point locks	Pkg. of 10	\$73.00
NS	80-0180-455	Stick-on template	Each	\$10.00
NS	80-0180-460	Installation sheet	Each	Email only

NS = Not shown

# 4590 DEADLATCH PADDLE

# 4590 DEADLATCH PADDLE



## 4590 Deadlatch Paddle

ITEM	PART NUMBER	DESCRIPTION	UNITS PKGD	2017 PRICE
1	20-0399-01	PULL indicator	Each	\$5.00
	20-0399-02	PUSH indicator	Each	\$5.00
2	S236-08R08-603-MP	#8-32 x 1/2" truss head screw with lockwasher	Pkg. of 10	\$5.00
3	28-0070-MP	Spring clip	Pkg. of 10	\$5.00
4	91-0060	Return spring kit, includes all four springs	Each	\$7.00
5	26-0383N-MP	Driver screw	Pkg. of 10	\$65.00
6	26-0398N-MP	3/8"-24 set screw	Pkg. of 10	\$24.00
7	26-0055	Shaft	Each	\$4.00
8	29-0546-MP	1/4"-28 Locknut	Pkg. of 10	\$13.00
9	26-0188-09-MP	Binder post	Pkg. of 10	\$17.00
NS	80-0180-200	Instruction sheet, 4590	Each	Email only
NS	80-0180-201	Instruction sheet, 4590M	Each	Email only
NS	80-0180-202	Instruction sheet, 4590MA	Each	Email only

NS = Not shown

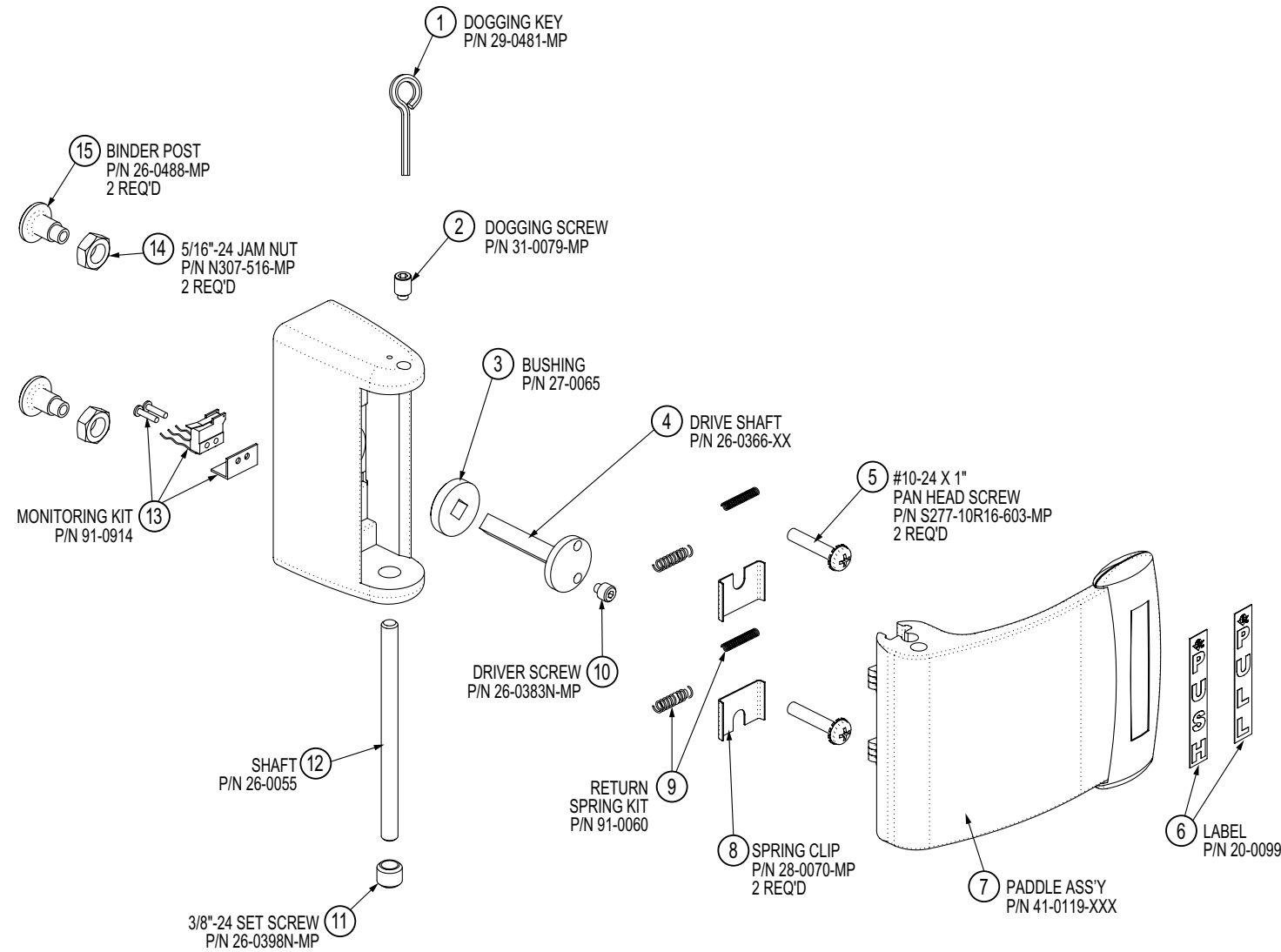
ASSA ABLOY, the global leader in door opening solutions



800.872.3267 • Fax 800.232.7329  
10027 S. 51st Street, Ste 102  
Phoenix, Arizona 85044  
www.adamsrite.com

# 4591 DEADLATCH PADDLE

# 4591 DEADLATCH PADDLE



## 4591 Deadlatch Paddle

ITEM	PART NUMBER	DESCRIPTION	UNITS PKGD	2017 PRICE
1	29-0481-MP	Dogging key	Pkg. of 10	\$28.00
2	31-0079-MP	Dogging screw	Pkg. of 10	\$25.00
3	27-0065	Bushing	Each	\$8.00
4	26-0366-01	Drive shaft for 1-3/4" doors	Each	\$11.00
	26-0366-XX	Drive shaft for doors over 1-3/4", specify door thickness	Each	\$22.00
5	S277-10R16-603-MP	#10-24 x 1" truss head screw with lockwasher	Pkg. of 10	\$7.00
6	20-0099	"PUSH" & "PULL" indicator label	Each	\$4.00
7	41-0119-313	Paddle assembly, 313 finish	Each	\$54.00
	41-0119-335	Paddle assembly, 335 finish	Each	\$54.00
	41-0119-628	Paddle assembly, 628 finish	Each	\$54.00
8	28-0070-MP	Spring clip	Pkg. of 10	\$5.00
9	91-0060	Return spring kit, includes all four springs	Each	\$7.00
10	26-0383N-MP	Driver screw	Pkg. of 10	\$65.00
11	26-0398N-MP	3/8"-24 set screw	Pkg. of 10	\$24.00
12	26-0055	Shaft	Each	\$4.00
13	91-0914	Monitoring kit "Push Only"	Each	List
14	N307-516-MP	5/16"-24 jam nut	Pkg. of 10	\$5.00
15	26-0488-MP	Binder post	Pkg. of 10	\$26.00
NS	80-0180-4591	Instruction sheet, 4591	Each	Email only
NS	80-0180-4591M	Instruction sheet, 4591M	Each	Email only
NS	80-0180-4591MA	Instruction sheet, 4591MA	Each	Email only

List = Refer to current pricelist  
NS = Not shown

ASSA ABLOY, the global leader in door opening solutions



800.872.3267 • Fax 800.232.7329  
10027 S. 51st Street, Ste 102  
Phoenix, Arizona 85044  
www.adamsrite.com

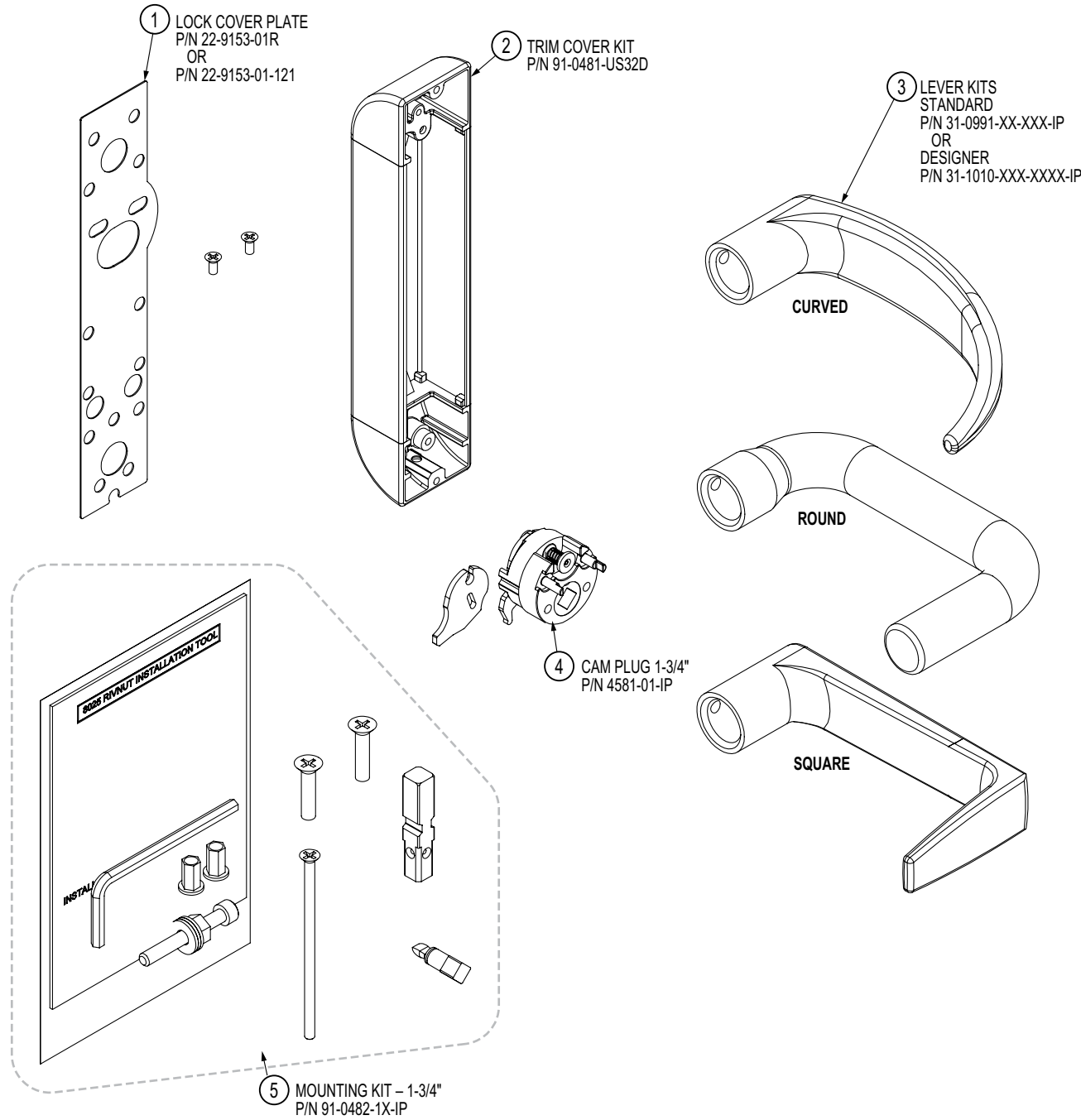
# 4600 HEAVY DUTY DEADLATCH HANDLES

# 4600 HEAVY DUTY DEADLATCH HANDLES

## 4600 Series Heavy Duty Designer Deadlatch Handles

ITEM	PART NUMBER	DESCRIPTION	UNITS PKGD	2017 PRICE
1	22-9153-01R	Lock cover plate, shim, US32D (630) finish	Each	\$8.00
	22-9153-01-121	Lock cover plate, shim, 121 finish	Each	\$10.00
2	91-0481-US32D	Trim cover kit, US32D (630) finish	Each	\$54.00
3	31-0991-02-10B-IP	Round lever kit, US10B (613) finish	Each	\$80.00
	31-0991-02-630-IP	Round lever kit, US32D (630) finish	Each	\$80.00
	31-0991-03-10B-IP	Square lever kit, US10B (613) finish	Each	\$80.00
	31-0991-03-630-IP	Square lever kit, US32D (630) finish	Each	\$80.00
	31-0991-01-10B-IP	Curved lever kit, US10B (613) finish	Each	\$80.00
	31-0991-01-630-IP	Curved lever kit, US32D (630) finish	Each	\$80.00
	31-1010-MD0-10B-IP	Designer lever kit, Centro Series MD, 10B (613) finish	Each	\$125.00
	31-1010-MD0-US32D-IP	Designer lever kit, Centro Series MD, US32D (630) finish	Each	\$125.00
	31-1010-ME0-10B-IP	Designer lever kit, Aventura Series ME, 10B (613) finish	Each	\$125.00
	31-1010-ME0-US32D-IP	Designer lever kit, Aventura Series ME, US32D (630) finish	Each	\$125.00
	31-1010-MG0-10B-IP	Designer lever kit, Aventura Series MG, 10B (613) finish	Each	\$125.00
	31-1010-MG0-US32D-IP	Designer lever kit, Aventura Series MG, US32D (630) finish	Each	\$125.00
	31-1010-MI0-US32D	Designer lever kit, Aventura Series MI, 10B (613) finish	Each	\$125.00
	31-1010-MI0-US32D-IP	Designer lever kit, Aventura Series MI, US32D (630) finish	Each	\$125.00
	31-1010-MJ0-10B-IP	Designer lever kit, Centro Series MJ, 10B (613) finish	Each	\$125.00
	31-1010-MJ0-US32D-IP	Designer lever kit, Centro Series MJ, US32D (630) finish	Each	\$125.00
	31-1010-MN7-10B-IP	Designer lever kit, Odeon Series MN, left hand, 10B (613) finish	Each	\$125.00
	31-1010-MN7-US32D-IP	Designer lever kit, Odeon Series MN, left hand, US32D (630) finish	Each	\$125.00
	31-1010-MN8-10B-IP	Designer lever kit, Odeon Series MN, right hand, 10B (613) finish	Each	\$125.00
	31-1010-MN8-US32D-IP	Designer lever kit, Odeon Series MN, right hand, US32D (630) finish	Each	\$125.00
31-1010-MV7-10B-IP	Designer lever kit, Odeon Series MV, left hand, 10B (613) finish	Each	\$125.00	
31-1010-MV7-US32D-IP	Designer lever kit, Odeon Series MV, left hand, US32D (630) finish	Each	\$125.00	
31-1010-MV8-10B-IP	Designer lever kit, Odeon Series MV, right hand, 10B (613) finish	Each	\$125.00	
31-1010-MV8-US32D-IP	Designer lever kit, Odeon Series MV, right hand, US32D (630) finish	Each	\$125.00	
31-1010-MW0-10B-IP	Designer lever kit, Aventura Series MW, 10B (613) finish	Each	\$125.00	
31-1010-MW0-US32D-IP	Designer lever kit, Aventura Series MW, US32D (630) finish	Each	\$125.00	
4	4581-01-IP	Cam plug 1-3/4"	Each	List
5	91-0482-11-IP	Mounting kit, 1-3/4" door thickness	Each	\$49.00
	91-0482-12-IP	Mounting kit, 2" door thickness	Each	\$49.00
	91-0482-13-IP	Mounting kit, 2-1/4" door thickness	Each	\$49.00
	91-0482-14-IP	Mounting kit, 2-1/2" door thickness	Each	\$49.00
NS	80-0180-417	Installation sheet	Each	Email only
NS	80-0180-416	Template	Each	\$10.00

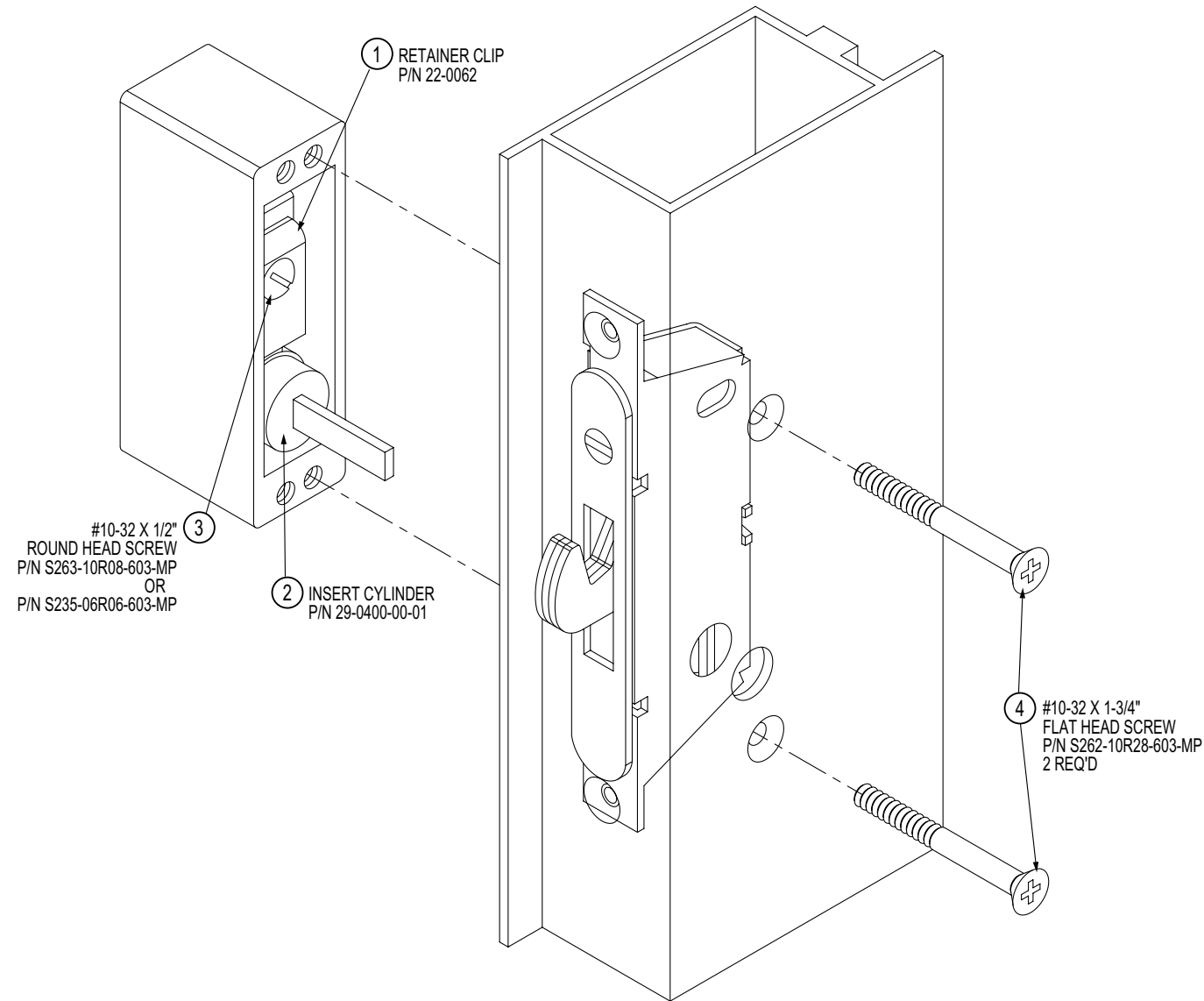
List = Refer to current pricelist  
NS = Not shown



ASSA ABLOY, the global leader in door opening solutions



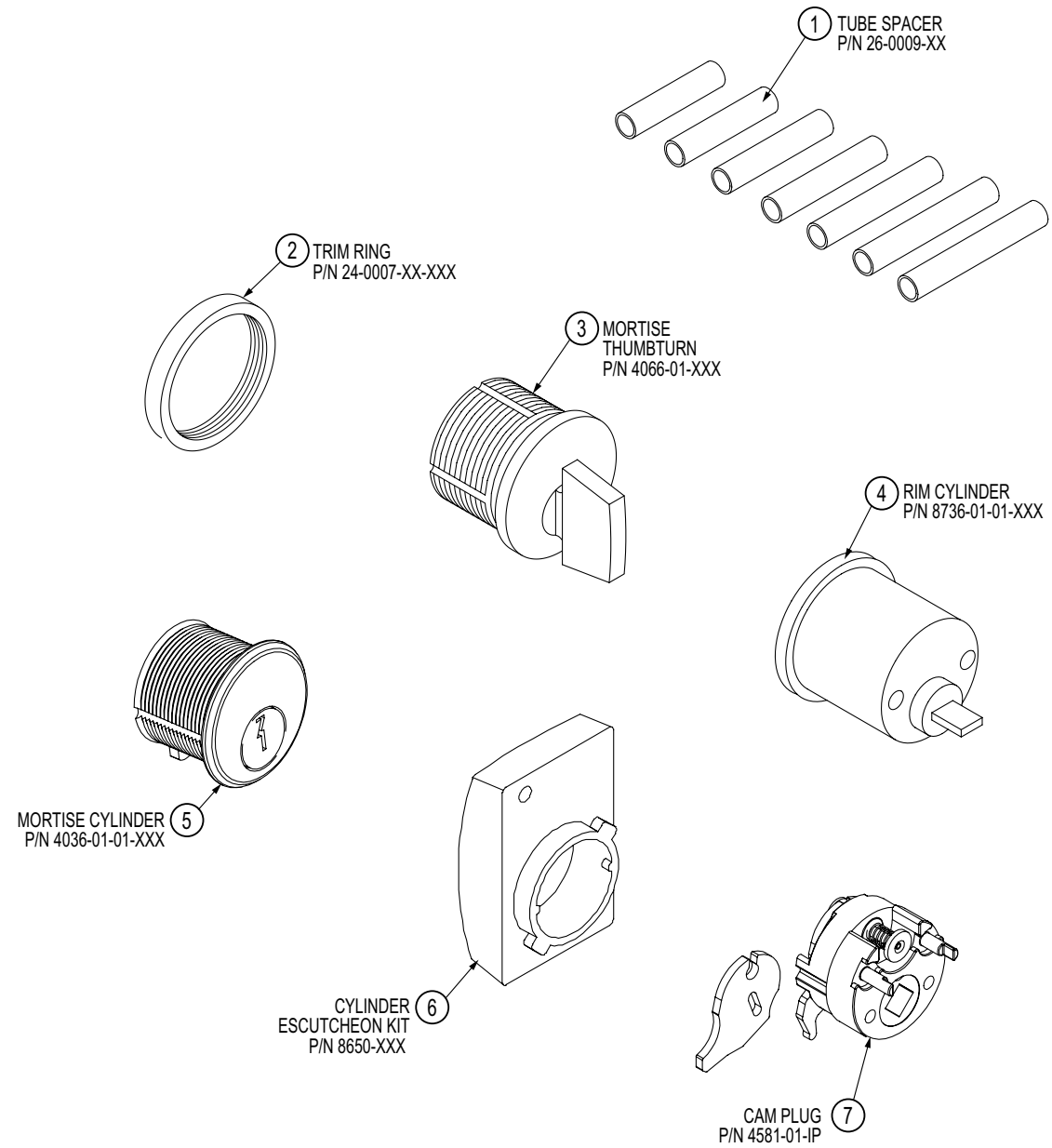
800.872.3267 • Fax 800.232.7329  
10027 S. 51st Street, Ste 102  
Phoenix, Arizona 85044  
www.adamsrite.com



**4024/4025/4026 Cylinder Pulls**

ITEM	PART NUMBER	DESCRIPTION	UNITS PKGD	2017 PRICE
1	22-0062	Retainer clip	Each	\$4.00
2	29-0400-00-01	Insert cylinder	Each	\$27.00
3	S263-10R08-603-MP	#10-32 × 1/2" round head screw	Pkg. of 10	\$5.00
	S235-06R06-603-MP	#6-32 × 3/8" flat head undercut screw (4024)	Pkg. of 10	\$5.00
4	S262-10R28-603-MP	#10-32 × 1-3/4" flat head screw, 4025/4026	Pkg. of 10	\$6.00
NS	26-0252-50-130	Mounting screws - 4025 cylinder × cylinder, 2 required	Each	\$7.00

NS = Not shown



## Accessories

ITEM	PART NUMBER	DESCRIPTION	UNITS PKGD	2017 PRICE
1	26-0009-44	Tube spacer 1-3/8"	Each	\$13.00
	26-0009-46	Tube spacer 1-7/16"	Each	\$13.00
	26-0009-50	Tube spacer 1-9/16"	Each	\$13.00
	26-0009-52	Tube spacer 1-5/8"	Each	\$13.00
	26-0009-57	Tube spacer 1-25/32"	Each	\$13.00
	26-0009-62	Tube spacer 1-15/16"	Each	\$13.00
	26-0009-64	Tube spacer 2"	Each	\$13.00
2	26-0009-164	Tube spacer 1-41/64"	Each	\$13.00
	24-0007-02-628	Trim ring, 1/8", 628 finish	Each	\$11.00
	24-0007-03-628	Trim ring, 3/16", 628 finish	Each	\$11.00
	24-0007-04-313	Trim ring, 1/4", 313 finish	Each	\$11.00
	24-0007-04-628	Trim ring, 1/4", 628 finish	Each	\$11.00
	24-0007-09-313	Trim ring, 3/8", 313 finish	Each	\$11.00
3	24-0007-09-628	Trim ring, 3/8", 628 finish	Each	\$11.00
	4066-01-130	Mortise thumbturn, 130 finish	Each	List
	4066-01-313	Mortise thumbturn, 313 finish	Each	List
4	4066-01-335	Mortise thumbturn, 335 finish	Each	List
	8736-01-01-313	Rim cylinder, 313 finish	Each	List
	8736-01-01-335	Rim cylinder, 335 finish	Each	List
5	8736-01-01-628	Rim cylinder, 628 finish	Each	List
	4036-01-01-313	Mortise cylinder, 313 finish	Each	List
	4036-01-01-335	Mortise cylinder, 335 finish	Each	List
6	4036-01-01-628	Mortise cylinder, 628 finish	Each	List
	8650-119	Cylinder escutcheon kit, 119 finish	Each	List
	8650-121	Cylinder escutcheon kit, 121 finish	Each	List
	8650-130	Cylinder escutcheon kit, 130 finish	Each	List
	8650-313	Cylinder escutcheon kit, 313 finish	Each	List
	8650-335	Cylinder escutcheon kit, 335 finish	Each	List
	8650-628	Cylinder escutcheon kit, 628 finish	Each	List
	8650-US3	Cylinder escutcheon kit, US3 (605) finish	Each	List
	8650-US4	Cylinder escutcheon kit, US4 (606) finish	Each	List
	8650-US32	Cylinder escutcheon kit, US32 (629) finish	Each	List
8650-US32D	Cylinder escutcheon kit, US32D (630) finish	Each	List	
7	4581-01-IP	Cam plug 1-3/4"	Each	List

List = Refer to current pricelist

ASSA ABLOY, the global leader in door opening solutions



800.872.3267 • Fax 800.232.7329  
 10027 S. 51st Street, Ste 102  
 Phoenix, Arizona 85044  
[www.adamsrite.com](http://www.adamsrite.com)

ASSA ABLOY is the global leader in door opening solutions, dedicated to satisfying end-user needs for security, safety and convenience

© 2017 Hanchett Entry Systems, Inc., an ASSA ABLOY Group company  
ARM-029-0117



**ASSA ABLOY**

**P 800.872.3267 • F 800.232.7329**

10027 S. 51st Street, Ste 102  
Phoenix, Arizona 85044

**[adamsrite.com](http://adamsrite.com)**