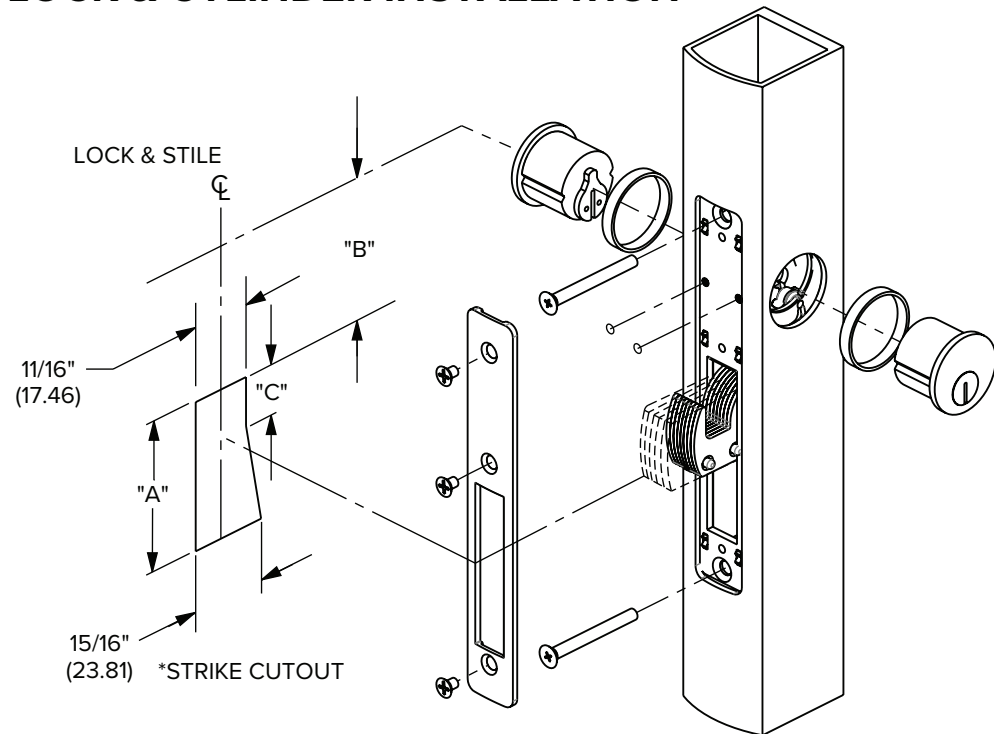
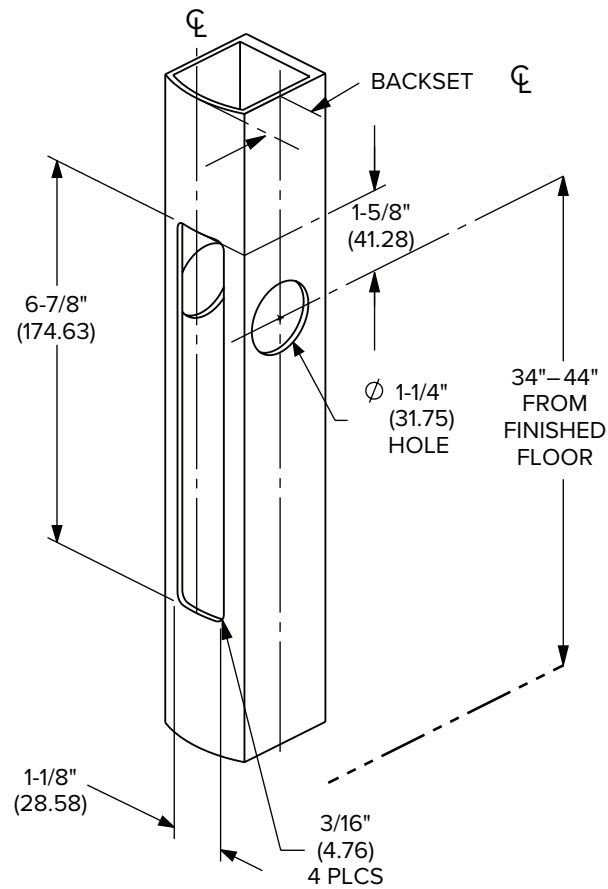


LOCK & CYLINDER INSTALLATION



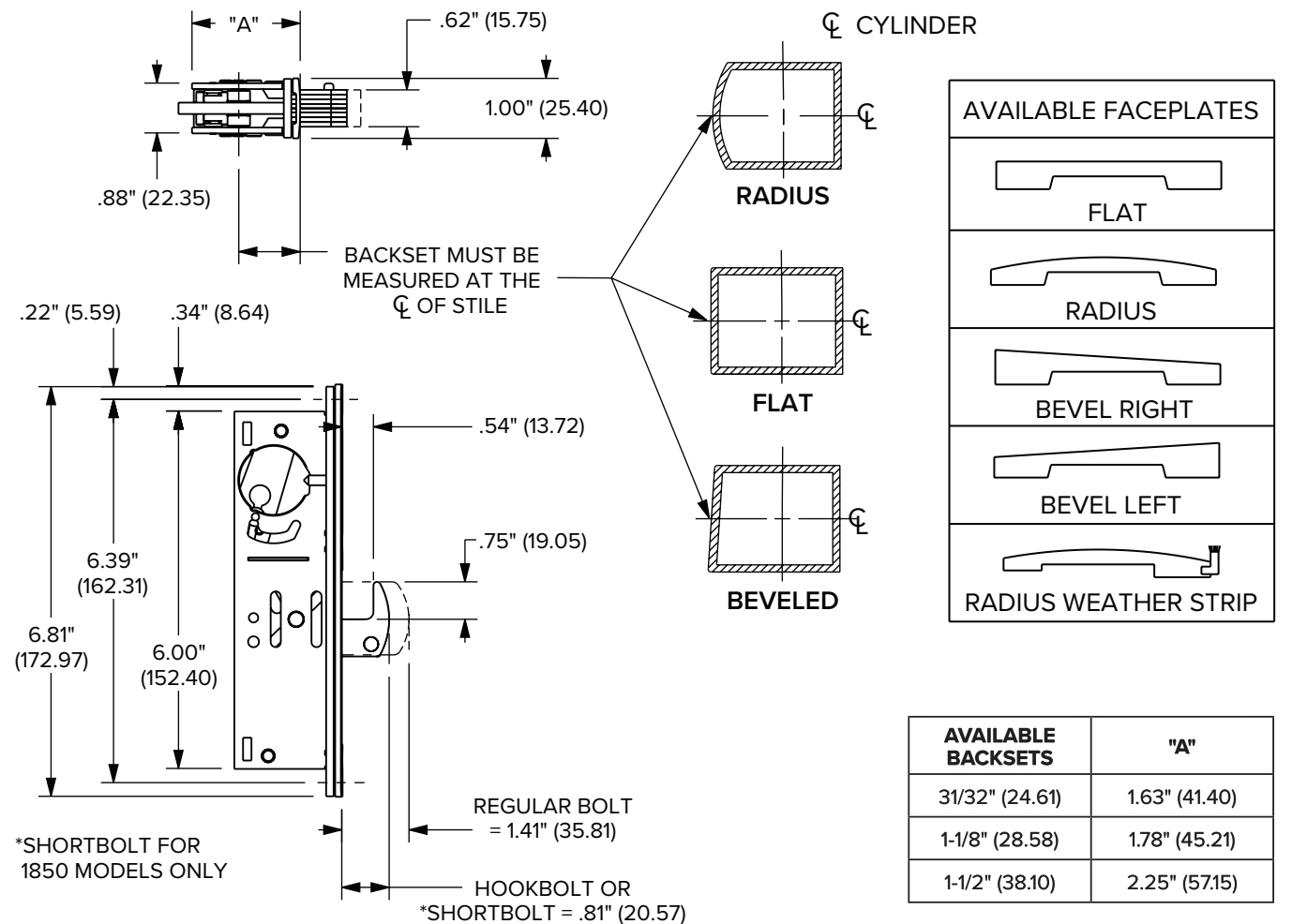
*Optional strikes include: 4000, 4001, and MS4002 (available separately).

BOLT TYPE	"A"	"B"	"C"
REGULAR BOLT	3-3/8" (85.85)	1-3/8" (35.05)	1" (25.40)
SHORT BOLT	2-3/4" (69.85)	1-3/8" (35.05)	1" (25.40)
HOOK BOLT	1-15/16" (49.21)	2-3/16" (55.56)	1/4" (6.35)



LOCK STILE PREPARATION

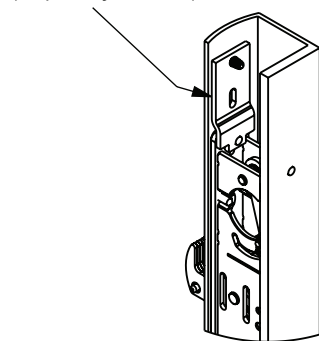
Latch guard recommended with 1850 Models for higher security.



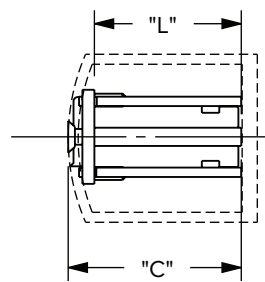
AVAILABLE BACKSETS	"A"
31/32" (24.61)	1.63" (41.40)
1-1/8" (28.58)	1.78" (45.21)
1-1/2" (38.10)	2.25" (57.15)

ALTERNATE MOUNTING METHODS

MOUNTING TAB
(Top Only Shown)



METHOD #1
ADAMS RITE
MOUNTING TABS
P/N: 91-0965



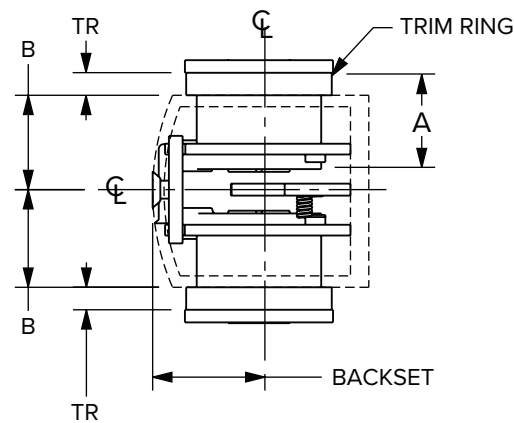
METHOD #2

Lock is secured to back web of stile by means of two (2) #10 (M5) flat head machine screws and two (2) tube spacers of proper length to position lock. To determine tube spacer length (L) use the following formula:

$$L = C - .25" (6.35)$$

Screws will be furnished approx. 1/4" longer than the spacer.

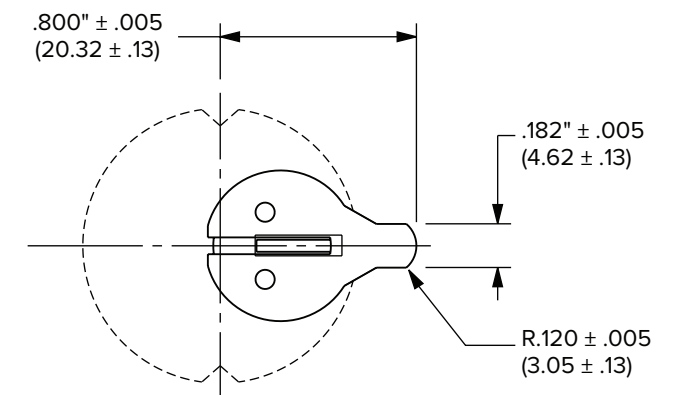
CYLINDER TRIM RING



Trim ring thickness (TR) will vary with specific cylinder make, number of pins & specific door thickness. To determine trim ring thickness, use the following formula:

$$TR = A + .125" (3.17) - B$$

CYLINDER LENGTH	TRIM RING REQUIRED FOR 1-3/4" THICK DOOR	TRIM RING REQUIRED FOR 2" THICK DOOR	TRIM RING REQUIRED FOR 2-1/4" THICK DOOR
1"	1/4" TRIM RING	1/8" TRIM RING	NO TRIM RING
1-1/8"	3/8" TRIM RING	1/4" TRIM RING	1/8" TRIM RING
1-1/4"	1/2" TRIM RING	3/8" TRIM RING	1/4" TRIM RING



The MS® Series locks are operable by any standard 1-5/32" diameter (29.37) mortise cylinder with special MS Cam dimensioned as above. Cylinders with MS Cams can be readily obtained from most cylinder manufacturers.



adamsrite.com | 800 626 7590
techsupport.adamsrite@assaabloy.com

MS1950, MS1850A, & MS1850S INSTALLATION INSTRUCTIONS

**PRODUCT MUST BE INSTALLED
ACCORDING TO ALL APPLICABLE BUILDING
AND LIFE SAFETY CODES**

Printed in the U.S.A.

Patent pending and/or patent www.assaabloydss.com/patents

Copyright © 2023, Hanchett Entry Systems, Inc., an ASSA ABLOY Group company. All rights reserved. Reproduction in whole or in part without the express written permission of Hanchett Entry Systems, Inc. is prohibited. 80-0180-5_8