

AMANO**125kHz Proximity Cards**

TOC921-1-0

TOC922-1-0

TOC923-1-0

**Specifications****Physical**

Dimensions	ISO7810 ID-1
Thickness	0.8 +/- 0.04mm (30 mil)
Material	Copper wire antenna and module in laminated PVC
Color	White
Chip type	EM4200

Electrical

Operating Frequency	125 ± 6 KHz, ISO/IEC
---------------------	----------------------

Environmental

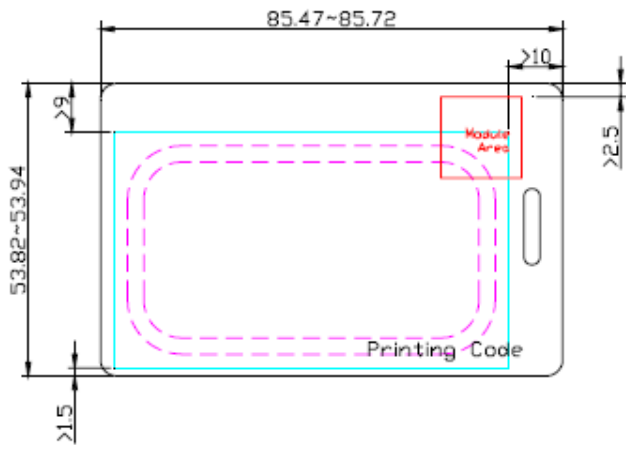
Operating Temp	-25 °C ~ 50 °C
Peak Storage Temp	-25 °C ~ 50 °C
Enclosure rating	IP rating [67]

Other

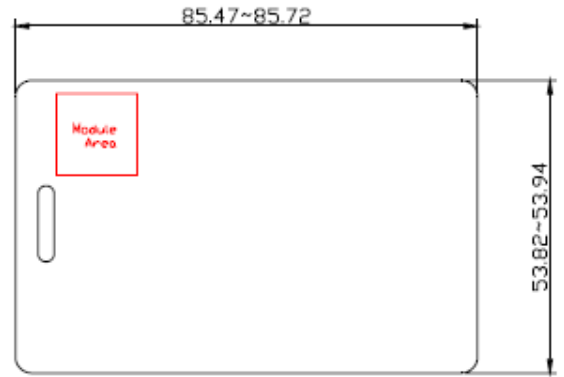
UID Numbers	Sequential
Compliance	RoHS

Engineering Drawing:

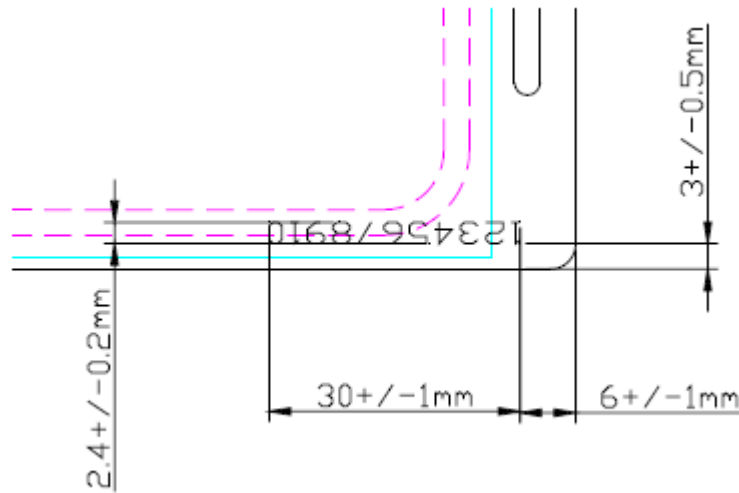
* Antenna and IC area



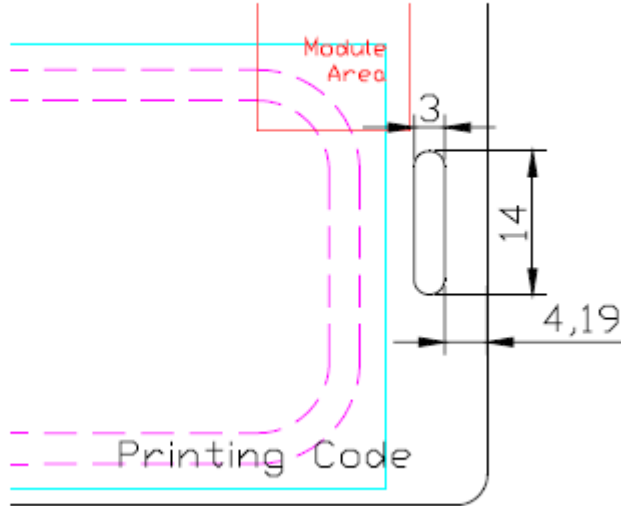
<Front>



<Back>



* Punch hole



Amano reserves the right to change specifications without prior notice.

WARRANTY: Amano warrants this product against defects in material and workmanship under normal use and service for 12 months from the date of shipment. Full warranty statement available on request.

ORDERING INFORMATION

TOC921-1-0	Amano ISO Credit Card, read-only Print Quality, 'unique number' to indicate 2 available positions for slotting
TOC922-1-0	Amano ISO Credit Card, read-only Clip-slot on short side of card
TOC923-1-0	Amano ISO Credit Card, read-only Clip-slot on long side of card

