



# AL175ULX Access Control Power Supply/Charger

## Overview:

The AL175ULX is a power-limited power supply/charger that will convert 115VAC / 60Hz input into two individually PTC protected 12VDC or 24VDC outputs (see specifications). It is intended for use in applications requiring UL Listing for Access Control System Units (UL 294) and applications requiring an interface with the Fire Alarm Control Panels.

## Specifications:

### Agency Listings:

- UL Listed for Access Control Systems (UL294).  
CUL Listed - CSA Standard C22.2  
No.205-M1983, Signal Equipment.
- MEA - NYC Dept. of Buildings Approved.
- CSFM - California State Fire Marshal Approved.
- Conforms to NFPA 101 life safety codes.



### Battery Backup:

- Maximum charge current: 400mA.
- Automatic switch over to stand-by battery when AC fails.

### Supervision:

- AC fail supervision (form “C” contacts).
- Dry trigger output (form “C” contacts).

### Fire Alarm Interface:

- Dry trigger input.

### Visual Indicators:

- AC input and DC output LED indicators.

### Added Features:

- Includes power supply, transformer and enclosure.

### Enclosure Dimensions:

13.5” x 13” x 3.25” (342.9mm x 330.2mm x 82.55mm).

### Input:

- Input 115VAC / 60 Hz, 0.6A.

### Output:

- Selectable 12VDC or 24VDC power-limited outputs.
- Class 2 Rated power-limited outputs.
- 1.75A continuous supply current @ 12VDC or 24VDC.
- Filtered and electronically regulated output.
- Short circuit and thermal overload protection.

## Power Supply Output Specifications:

Output VDC	Switch Position	Max. Stand-by Load DC	Max. Alarm Load DC	Battery (optional)
12VDC	SW1 OFF	1.75A	1.75A	12VDC
24VDC	SW1 ON	1.75A	1.75A	24VDC

## Stand-by Specifications:

Output	4 hr. of Stand-by and 5 Minutes of Alarm
12VDC / 7 AH Battery	Stand-by = 1.25A
24VDC / 7 AH Battery	Alarm = 1.25A

## Installation Instructions:

Wiring methods shall be in accordance with the National Electrical Code/NFPA 70/NFPA 72/ANSI, and with all local codes and authorities having jurisdiction. Product is intended for indoor use only.

See **Terminal Identification Chart** on Pg. 3 for a description of each terminal function.

1. Mount unit in the desired location. Mark and predrill holes in the wall to line up with the top two keyholes in the enclosure. Install two upper fasteners and screws in the wall with the screw heads protruding. Place the enclosure’s upper keyholes over the two upper screws; level and secure. Mark the position of the lower two holes. Remove the enclosure. Drill the lower holes and install two fasteners. Place the enclosure’s upper keyholes over the two upper screws. Install the two lower screws and make sure to tighten all screws (*Enclosure Dimensions, pg. 3*).  
Secure enclosure to earth ground.

2. Connect AC power to the black and white flying leads of the transformer. Secure green wire lead to earth ground. Use 18 AWG or larger for all power connections (Battery, DC output). Use 22 AWG to 18 AWG for power-limited circuits (trigger inputs, dry outputs).

**Keep power-limited wiring separate from non power-limited wiring (115VAC / 60Hz Input, Battery Wires). Minimum 0.25” spacing must be provided.**

**CAUTION: Do not touch exposed metal parts. Shut branch circuit power before installing or servicing equipment. There are no user serviceable parts inside. Refer installation and servicing to qualified service personnel.**

3. Set the AL175ULX to the desired DC output voltage by setting switch SW1 to the appropriate position (refer to **Power Supply Output Specification Table**).

4. Measure output voltage before connecting devices. This helps avoiding potential damage.
5. Connect one (1) 12VDC battery to the terminals marked [+ BAT -] (*Fig. 1, pg. 2*) for 12VDC operation. Use two (2) 12VDC batteries connected in series for 24VDC operation (Battery leads included).  
**Note:** For Access Control applications batteries are optional. When batteries are not used, a loss of AC will result in the loss of output voltage. When the use of stand-by batteries is desired, they must be lead acid or gel type. Use two (2) 12VDC batteries connected in series for 24VDC operation.
6. Connect appropriate signaling notification devices to AC Fail supervisory relay outputs.  
**Note:** To meet UL requirements, AC Supervisory outputs must be connected to the zone of Alarm Control Panel or to visual AC trouble indicator.
7. For Access Control Device & Fire Alarm Interface connections refer to desired Application Diagrams (*pg. 4*) and Terminal Identification Chart (*Pg. 3*).

### **Maintenance:**

Unit should be tested at least once a year for the proper operation as follows:

**Output Voltage Test:** Under normal load conditions, the DC output voltage should be checked for proper voltage level (refer to *Power Supply Output Specifications Chart*).

**Battery Test:** Under normal load conditions check that the battery is fully charged, check specified voltage both at battery terminal and at the board terminals marked [- BAT +] to ensure that there is no break in the battery connection wires.

**Note:** Maximum charging current under discharges is 0.40A.

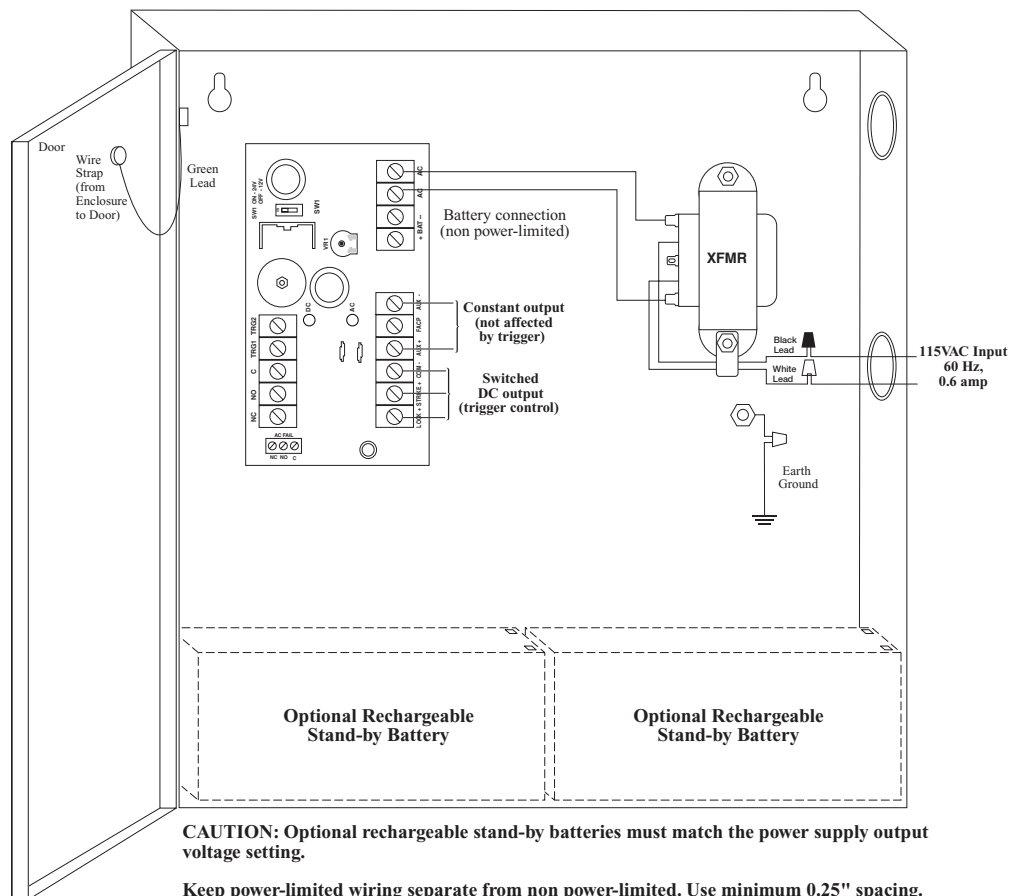
**Note:** Expected battery life is 5 years; however, it is recommended changing batteries in 4 years or less if needed.

### **LED Diagnostics:**

Red (DC)	Green (AC)	Power Supply Status
ON	ON	Normal function.
ON	OFF	Loss of AC. Battery backup is powering output.
OFF	ON	No DC output.
OFF	OFF	Loss of AC. Discharged or missing stand-by battery. No DC output.

*Fig. 1*

**CAUTION: De-energize unit prior to servicing. For continued protection against fire hazard replace fuses with the same type and rating. Do not expose to rain or moisture.**



**CAUTION: Optional rechargeable stand-by batteries must match the power supply output voltage setting.**

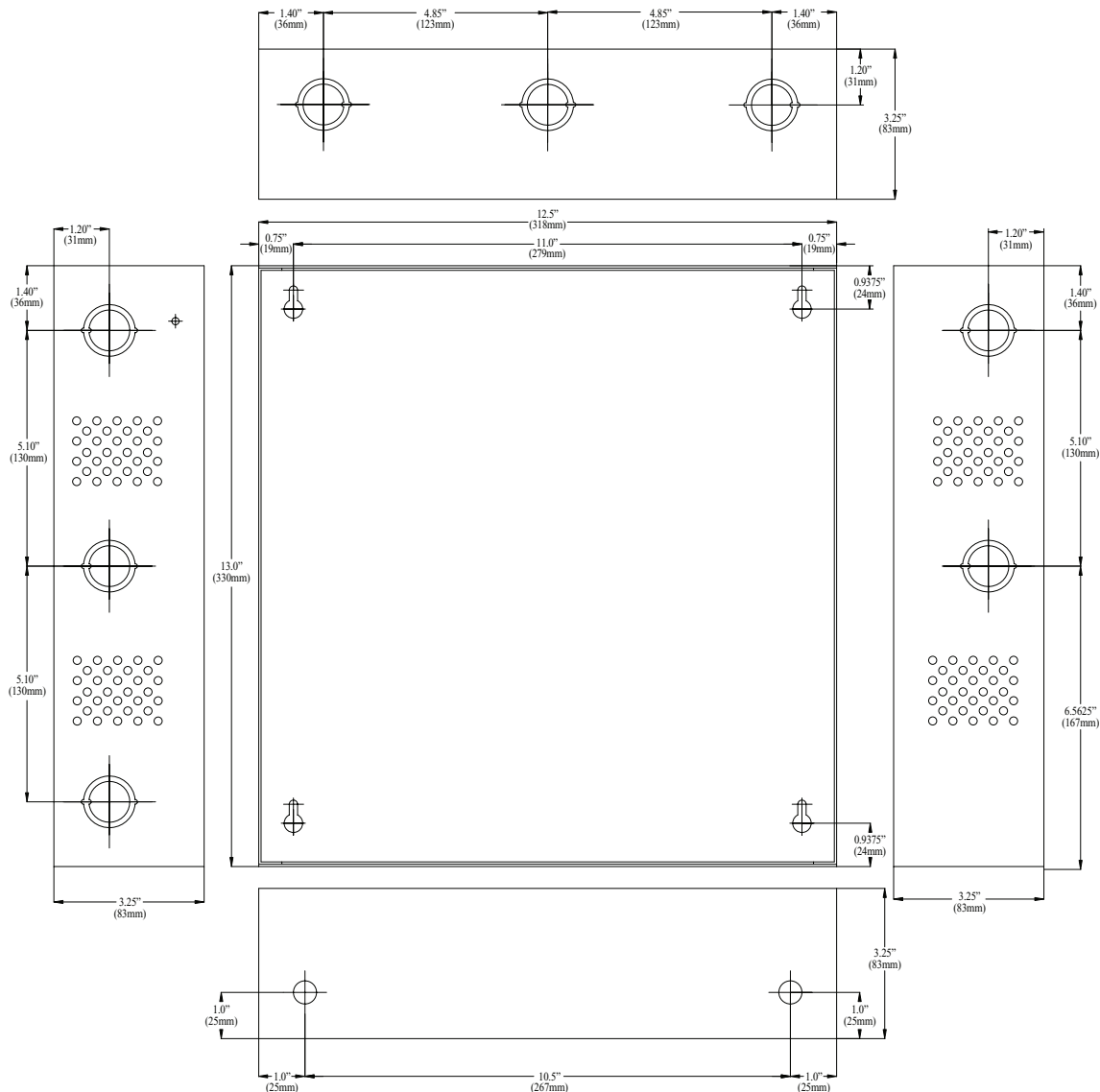
**Keep power-limited wiring separate from non power-limited. Use minimum 0.25" spacing.**

### Terminal Identification:

Terminal Legend	Function/Description
TRG1 and TRG2	These input terminals are designed to connect to the normally closed outputs of an access control or fire alarm relay. These terminals control [LOCK+], and [STRIKE+], as well as AL175ULX output relay contacts [NC, NO, C]
LOCK+	This terminal provides DC output voltage when [TRG1] and [TRG2] are shorted together and are typically used to power Mag Locks.
STRIKE+	This terminal provides DC output voltage when [TRG1] and [TRG2] are unshorted and are typically used to power Electric Strikes.
NC, NO, C	Isolated dry Form "C" contacts. Shorting [TRG1] and [TRG2] together causes these contacts to switch. They are typically used for controlling multiple AL175ULXs with fire alarm tie-in ( <i>Fig. 5 and Fig. 6, pg. 4</i> )
AUX +	Continuous positive (+) DC power output voltage. It is not affected by TRG1, TRG2 operation.
COM -	Common negative (-) output (ground).
FACP	Spare wiring terminal used for fire alarm tie-in application ( <i>Fig. 4, pg. 4</i> ).
+ BAT -	Stand-by battery connections.
AC FAIL NC, C, NO	Indicates loss of AC e.g connect audible device or alarm panel relay normally energized When AC power is present. Contact rating 1A @ 28VDC.

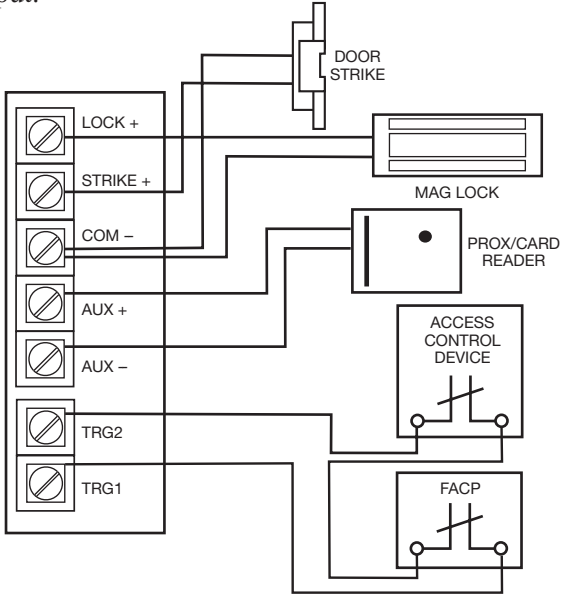
### Enclosure Dimensions:

13.5" x 13" x 3.25" (342.9mm x 330.2mm x 82.55mm)

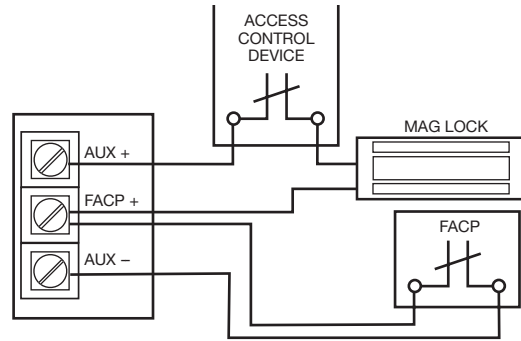


## Typical Application Diagrams:

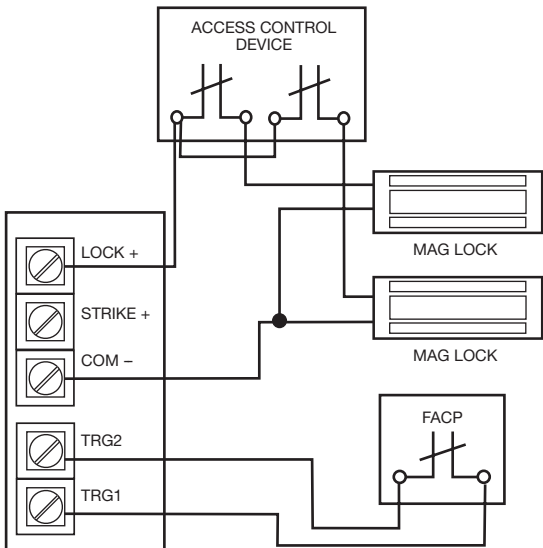
*Fig. 2 - Typical single mag lock or door strike installation with fire alarm tie-in using trigger controlled output:*



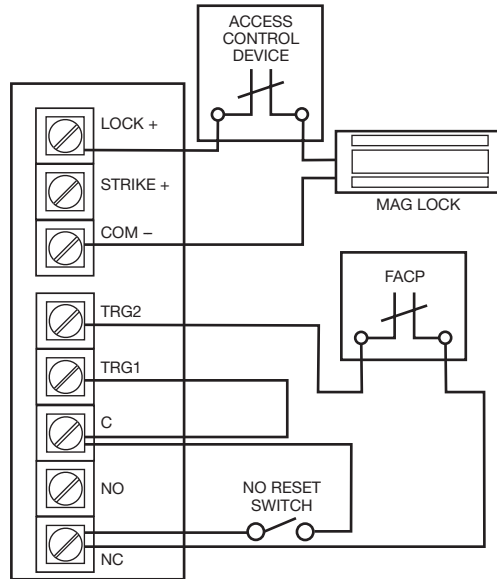
*Fig. 4 - Typical mag lock with fire alarm tie-in using aux output installation:*



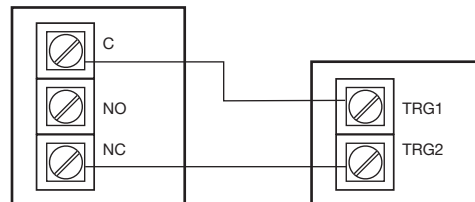
*Fig. 3 - Typical dual mag lock installation with fire alarm tie-in using trigger controlled outputs:*



*Fig. 5 - Latching fire alarm tie-in with manual reset:*



*Fig. 6 - Multiple AL175ULX power supply connections:*



Altronix is not responsible for any typographical errors. Product specifications are subject to change without notice.

140 58th Street, Brooklyn, New York 11220 USA, 718-567-8181, fax: 718-567-9056  
 web site: www.altronix.com, e-mail: info@altronix.com. Lifetime Warranty, Made in U.S.A.  
 IIAL175ULX Rev. 121307

C02P