

# RITE Touch® 1050

## Digital Glass Door Lock

The surface-mounted RITE Touch RT1050 digital glass door lock provides flexible, keyless access control for all glass doors.

### Function

The RITE Touch RT1050 is a digital door lock that provides keyless access control for all-glass openings. The RITE Touch makes extending access control to all-glass single doors or double doors with fixed leaf convenient and affordable while maintaining aesthetics. This surface mounted solution requires no modification to the glass and provides greater flexibility and access control for interior applications.

### Operation

The surface-mounted lock features two options for credential actuation on the secure side of the door: either by entering a user code using the touch-screen or by using provided MIFARE® credential cards. The lock features two modes of unlock from the inside of the door: either with the thumbturn or accessibility lever of the RT1050D or RT1050L respectively, or by using the override button.



RT1050L



RT1050D



### Features

#### Strike

Surface-mounted strike for fixed leaf of double glass doors included.

#### Door Thickness

7/16" to 1/2" [11.1 mm to 12.7 mm]  
thick glass doors.

#### Lock Body

Satin Chrome finish

#### Front Body

9/16" x 2-7/8" x 7-5/16"  
[14.3 mm x 73.0 mm x 185.7 mm]

#### Back Body

1-15/16" x 3-1/16" x 7-1/2"  
[49.2 mm x 77.8 mm x 190.5 mm]

#### Bolt

Twin bolts measuring 13/32" [10.3 mm] diameter with 1-1/8" [28.6 mm] throw. Bolt Extensions included separately in standard package for larger door gap, including twin bolts with 2-1/8" [54.0 mm] throw.

#### Operating Temperatures

5 to 130F [-15 to +55C]

#### Standard Package

Individually boxed with mounting plate, AA batteries (x4), credential cards (x4), single door magnet, bolt extensions, thin door plate, and mounting screws.

#### Shipping weight

6 lbs [2.72 kg]

### Electrical

- Powered by (4) x AA Alkaline batteries; 40,000 cycle battery life
- Programming via touch-screen
- Unit may be programmed for one Master code and one user code
- Supports up to 40 credential cards.

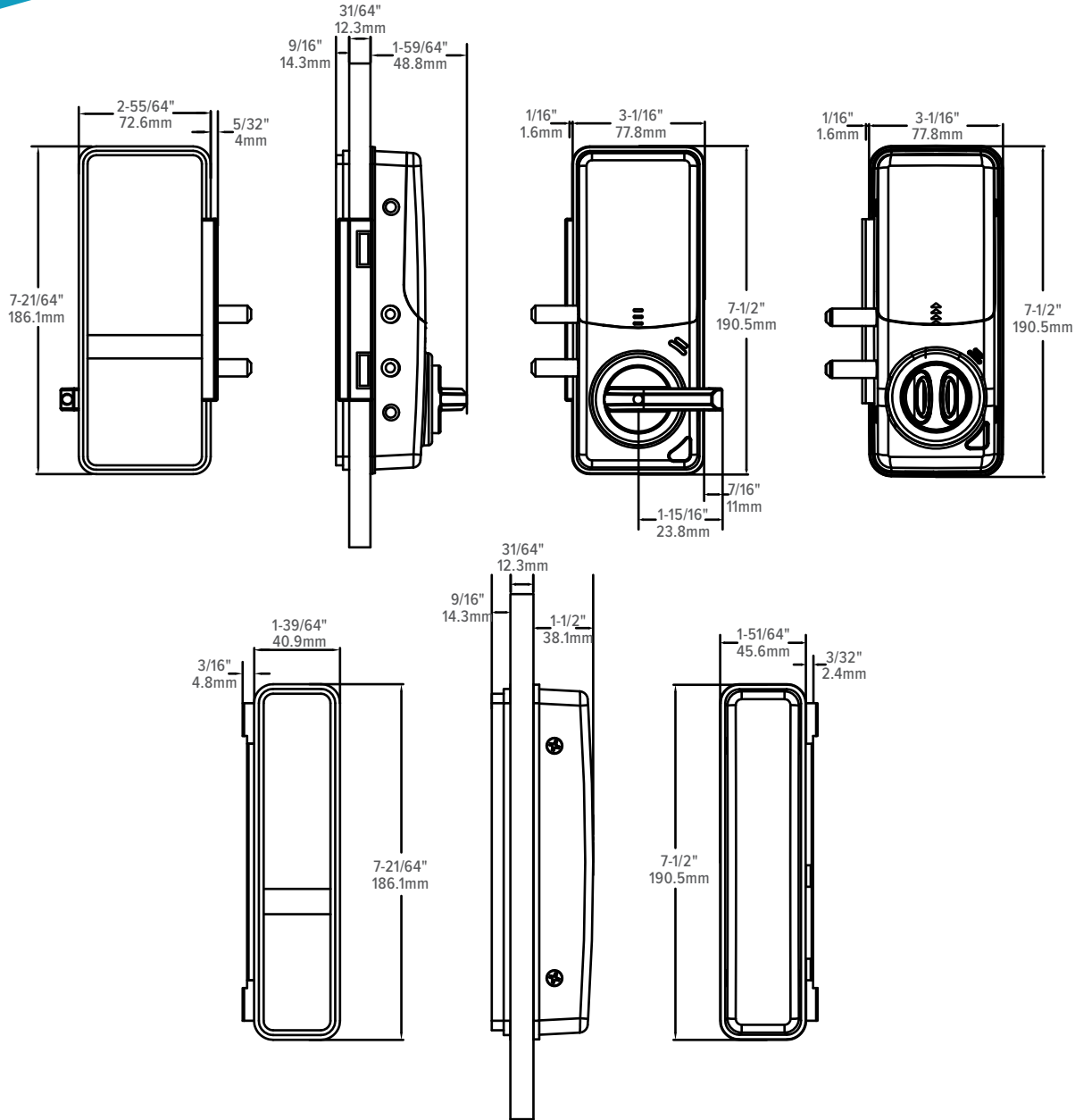
### Options

- RT1050D with thumbturn; RT1050L with ADA compliant accessibility lever
- Additional credential cards available separately, RT-5C-1050 pack of five (5) cards

#### Product Notes

- Indoor applications only
- For use with single doors or double doors with fixed leaf

## Dimensions



## How to Order &amp; Related Products

RITE Touch RT1050 Digital Glass Door Lock: Specify quantity and the following information. Order related products separately.

PRODUCT NO.	MODEL	TRIM
RT	1050	D
	1050 For glass doors	D Thumbturn
		L Accessibility Lever

## RELATED

When purchasing this product, please consider the following related products, available separately:

## ACCESSORIES

Extra credential card 5 pack (RT-5C-1050)