

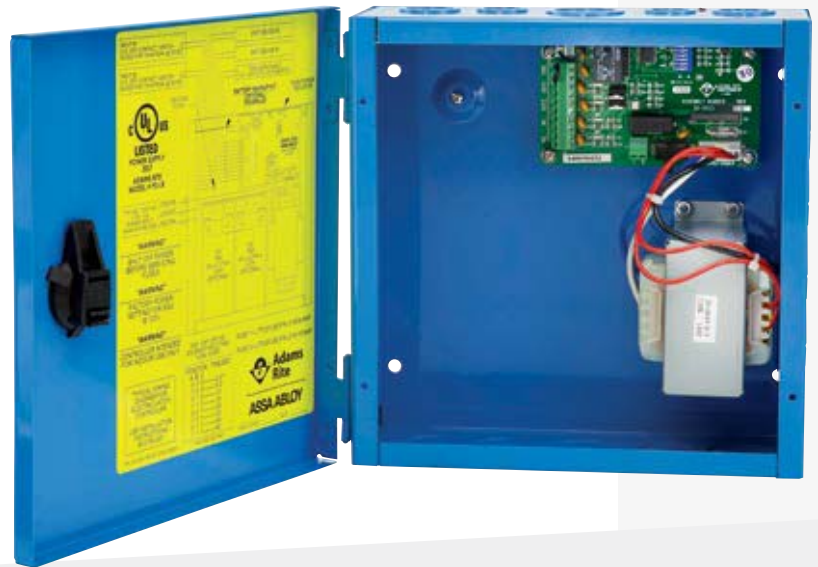
# PS-LR

## Power Supply

Linear power supply with optional battery backup for 3000 and 8000 Series vertical rod and mortise type exit devices with electric latch retraction (LR) option.

### Function

This Adams Rite power supply is strongly recommended for the electric latch retraction (LR) option on vertical rod and mortise types of exit devices. It operates at 28 VDC to power up to two LR exit devices in sequential or independent modes. The PS-LR is also equipped with a fire alarm disconnect interface circuitry.



### Certifications

CSA-C22.2 No. 223 listed  
UL listed

### Features

#### Housing

Hinged, steel cabinet measures 10" x 10-3/8" x 4-1/8" [254 mm x 263.5 mm x 104.8 mm]. Blue, baked enamel finish, with knockouts for conduit connections. Sized to accommodate two sealed, lead acid batteries (7AH, not included).

#### Operating Modes

The PS-LR is designed to power up to two 3000 LR or 8000 LR exit devices in the following operating modes:

- Near Simultaneous Mode – A single input switch (dry contact) operates two devices with less than one second delay. Ideal for double-door applications.
- Independent Mode – Each LR exit device is controlled by its own input switch.

#### Shipping Weight

10 lbs [4.5 kg].

### Electrical

#### Input Power

115 VAC or 230 VAC, 0.7A/0.4A

#### Primary Fuse

The PS-LR has two user-serviceable fuses:  
F1: Transformer output: 4.0A/250V 5x20MM;  
F2: Transformer input: 3.15A/250V 5x20MM

#### Output Voltage

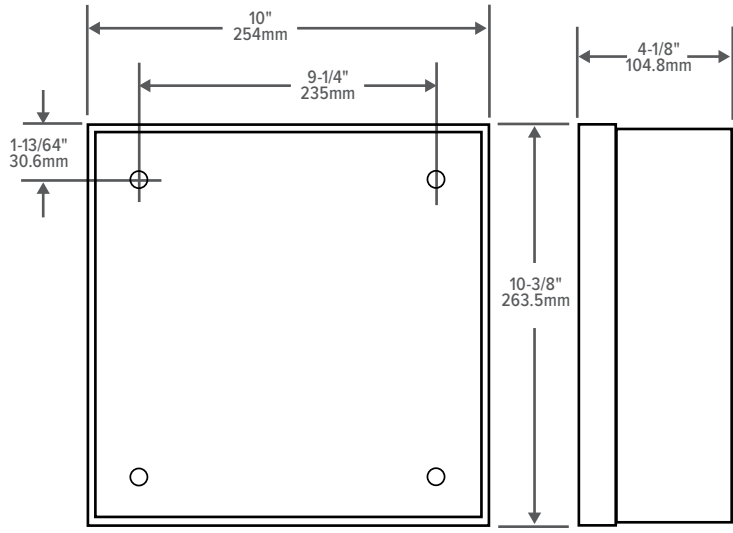
16 Amp @ 28VDC

### Options

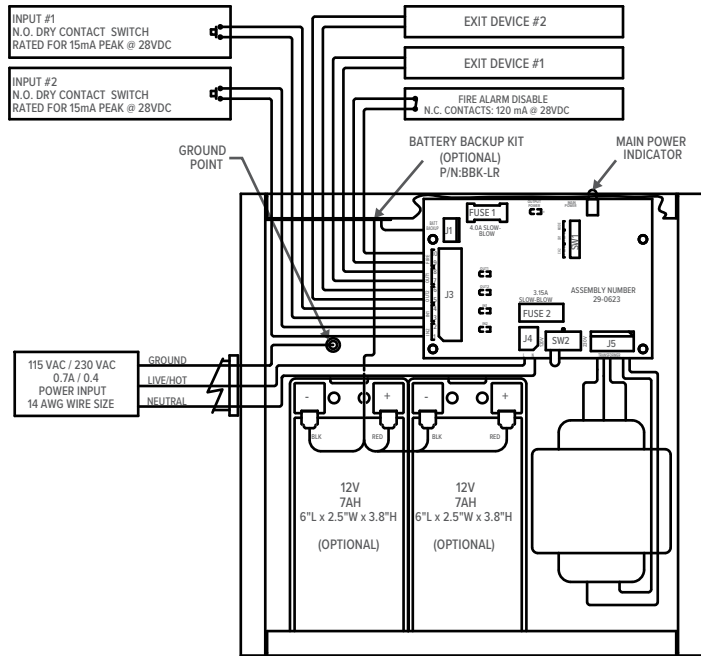
Battery Backup Kit (BBK-LR) available separately to add battery backup capability to the PS-LR. The enclosure is sized to accommodate two 12 volt – 7AH sealed, lead acid batteries (not included).

All measurements are approximate and are provided for informational purposes only. Refer to the product Installation Instructions.

# Dimensions



# Layout & Wiring



# How to Order, Related & Compatible Products

**PS-LR Power Supply:** Specify quantity and the following information. Order compatible products separately.

MODEL	POWER SUPPLY
PS	-LR
	LR Power Supply for exit devices w/ LR option

**RELATED**

When purchasing this product, please consider the following available separately:

ACCESSORIES	POWER
BBK-LR Battery Backup Kit	4612 Power Transfer Device

**COMPATIBLE**

EXIT DEVICES
8000LR Series electrified exit devices with LR latch retraction