

# PS-1

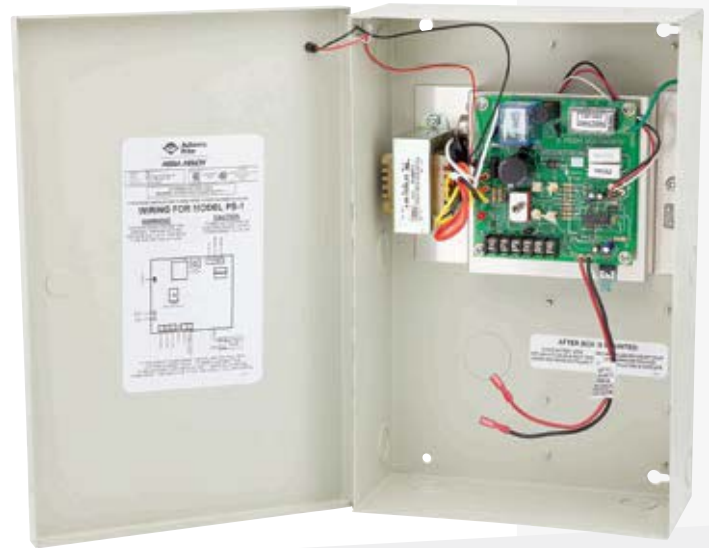
## Power Supply

One Amp linear power supply with integrated battery backup circuitry for electric strikes, maglocks, and other access control devices.

### Function

Provides filtered and regulated voltage output to power electric strikes, magnetic locks, or other access control devices. Output is selectable in the field for 12 or 24 VDC.

Charging circuit is built in for battery backup power (batteries not included) with 12 or 24 VDC operation. LED on circuit board indicates power input.



### Certifications

UL 294 listed

UL listed

### Features

#### Housing

Hinged, steel cabinet measures 12-1/8" x 4" x 12-1/8" [308 mm x 101.6 mm x 308 mm]. Beige, baked enamel finish with knockouts for conduit and key lock. Sized to accommodate two sealed, lead acid batteries (4AH, not included).

#### Fire Alarm

UL listed low current fire alarm disconnect requires only a minimum size fire alarm relay and wire gauge.

#### Shipping weight

12 lbs [5.4 kg].

### Electrical

#### Input Power

110 VAC, 60 Hz, 0.5A

#### Battery Fuse

2A, 5 x 20MM

#### Primary Fuse

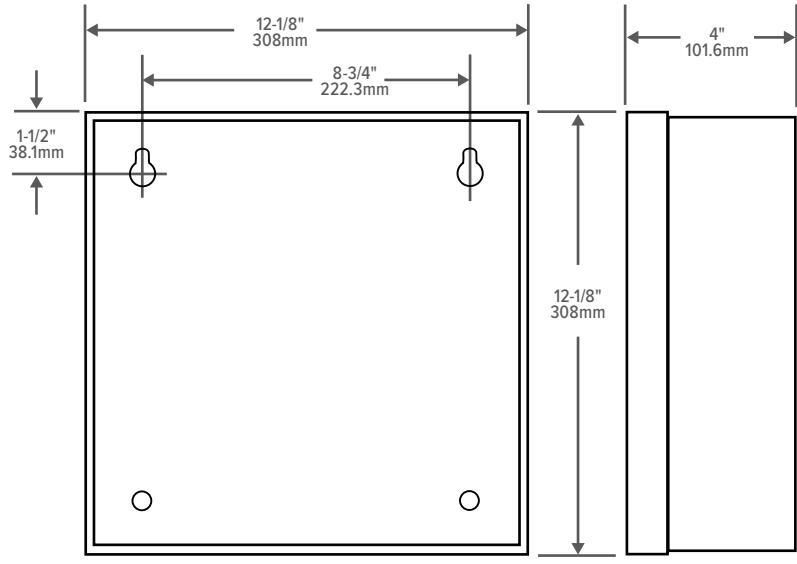
800 mA, 5 x 20MM

#### Output Voltage

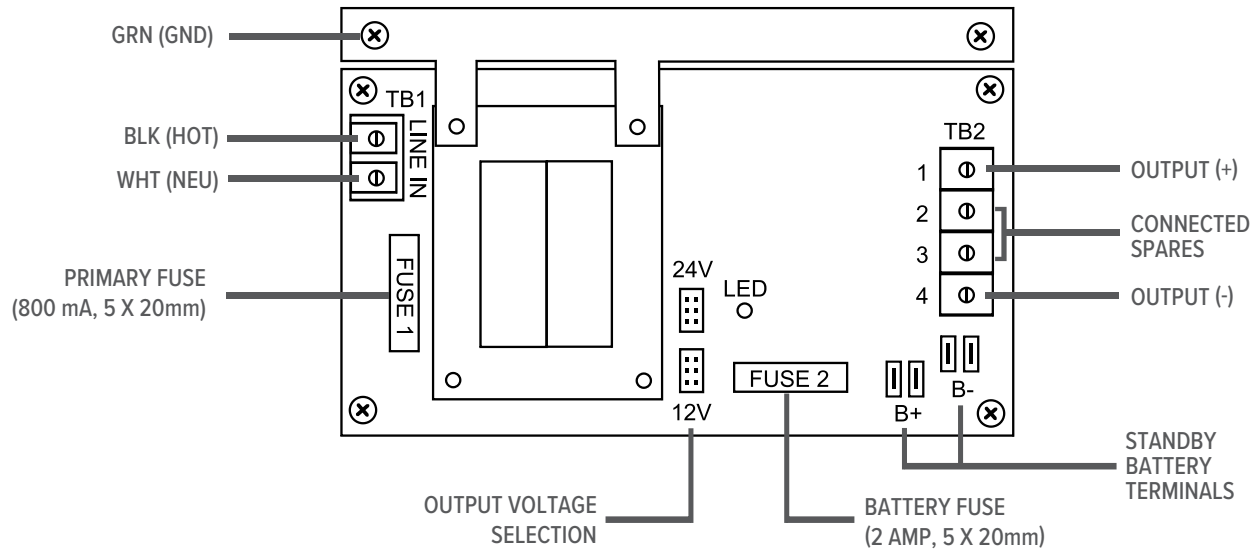
Field-selectable 1 Amp @ 12VDC or 24VDC. (Maximum 13.8 VDC/27.6 VDC)

All measurements are approximate and are provided for informational purposes only. Refer to the product Installation Instructions.

# Dimensions



# Layout & Wiring



# How to Order, Related & Compatible Products

PS-1 Power Supply: Specify quantity and the following information. Order compatible products separately.

MODEL	POWER SUPPLY
PS	-1
1 Standard Power Supply	

**RELATED** When purchasing this product, please consider the following available separately:

ACCESSORIES	POWER
Batteries not included	4612 Power Transfer Device

## COMPATIBLE

DEADLATCHES	EXIT DEVICES	ELECTRIC STRIKES	TRIM
4300 Electrified Deadlatch	8700, 8800 Series electrified rim exit devices with EL option	7100/7101, 7110/7111, 7130/7131, 7140, 7160, 7170 Electric Strikes, 7240, 7270 Fire-Rated Electric Strikes, 7400/7401, 7410/7411, 7430/7431, 7440, 74R1, 74R2 Electric Strikes	3080E Series Entry Trim