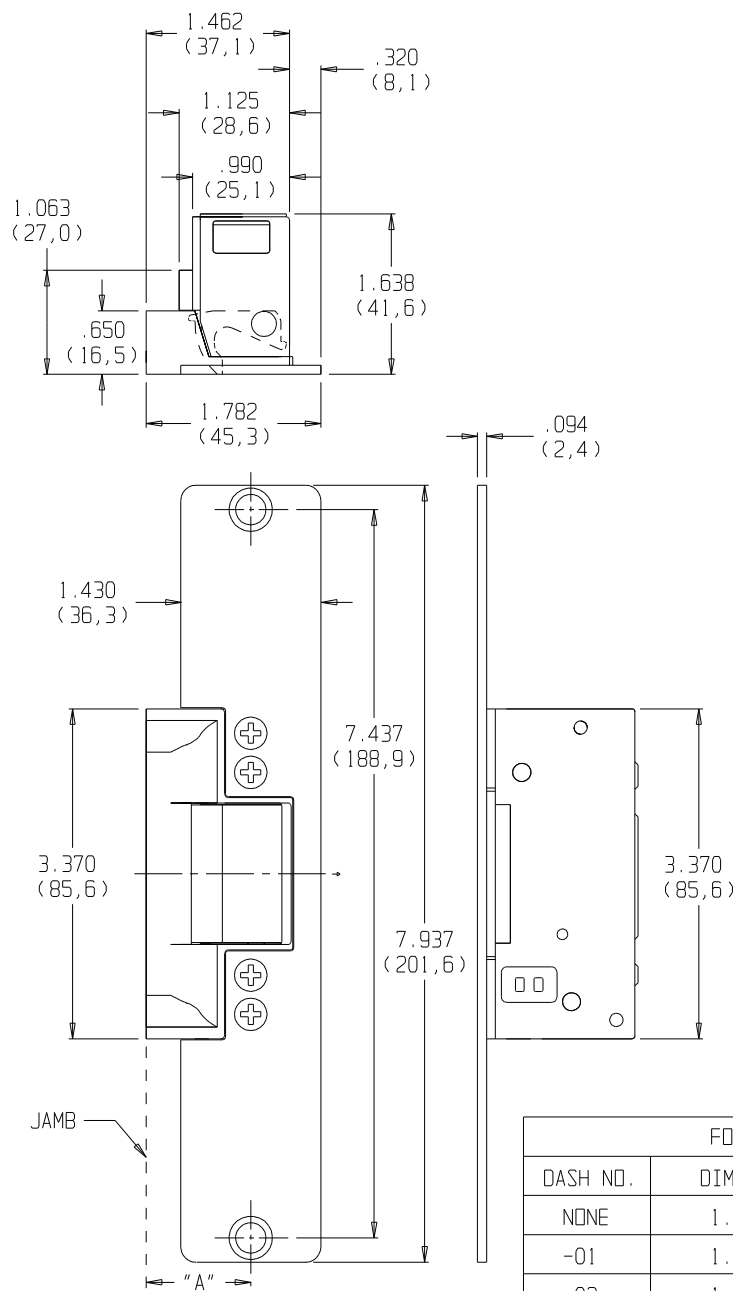


INSTALLATION INSTRUCTIONS

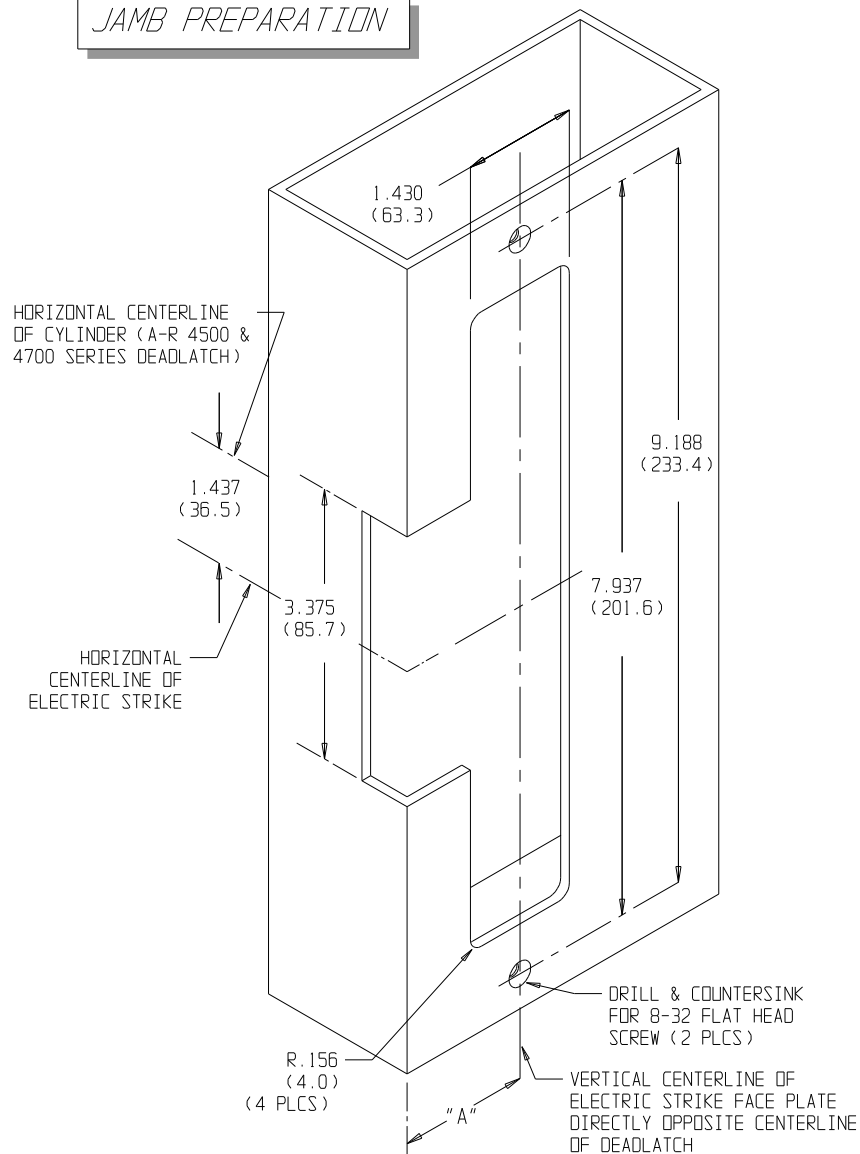
1. PREPARE DOOR JAMB PER DRAWING.
2. INSTALL MOUNTING CLIPS TO JAMB USING 8-32 x 3/8 SCREWS & PRESSED METAL NUTS. LEAVE SCREWS SLIGHTLY LOOSE TO PERMIT EASY ALIGNMENT OF CASE ASSEMBLY & CLIPS.
3. SPACERS ARE PROVIDED TO ASSURE FLUSH FINAL ASSEMBLY OF FACE PLATE & JAMB. ADD ONE OR MORE SPACERS BETWEEN JAMB & MOUNTING CLIP WHEN FACE PLATE EXTENDS BEYOND THE JAMB. WHEN THE FACE PLATE SETS INSIDE THE JAMB, SPACERS MUST BE ADDED BETWEEN THE MOUNTING CLIP & THE ELECTRIC STRIKE FACE PLATE. SEE DETAIL "A" TO ATTACH SPACER TO MOUNTING CLIP. REMOVE PROTECTIVE COATING FROM SPACER & PRESS TO DESIRED MOUNTING CLIP SURFACE. MAKE SURE CLEARANCE HOLE IN SPACER ALIGNS WITH HOLE IN MOUNTING CLIP.
4. ATTACH SUBCOVER AND FACE PLATE TO THE CASE ASSEMBLY USING FOUR 8-32 X 1/4 SCREWS.
5. USING WIRE NUTS PROVIDED, CONNECT WIRES COMING FROM THE STRIKE TO THE WIRES COMING FROM THE LOW VOLTAGE SIDE OF THE TRANSFORMER.
6. INSERT ELECTRIC STRIKE INTO JAMB AND ATTACH TO THE CLIPS USING TWO #12 COMBINATION SCREWS.
7. SECURE 8-32 SCREWS HOLDING MOUNTING CLIPS TO JAMB.

STATIC STRENGTH 1500 lbs.	DYNAMIC STRENGTH 70-foot-pound-force	ENDURANCE 250,000 cycles
------------------------------	---	-----------------------------

ELECTRIC STRIKE DIMENSIONS



JAMB PREPARATION



FOR EXTENDED LIP: (DIM "A" DOOR → TO JAMB EDGE)

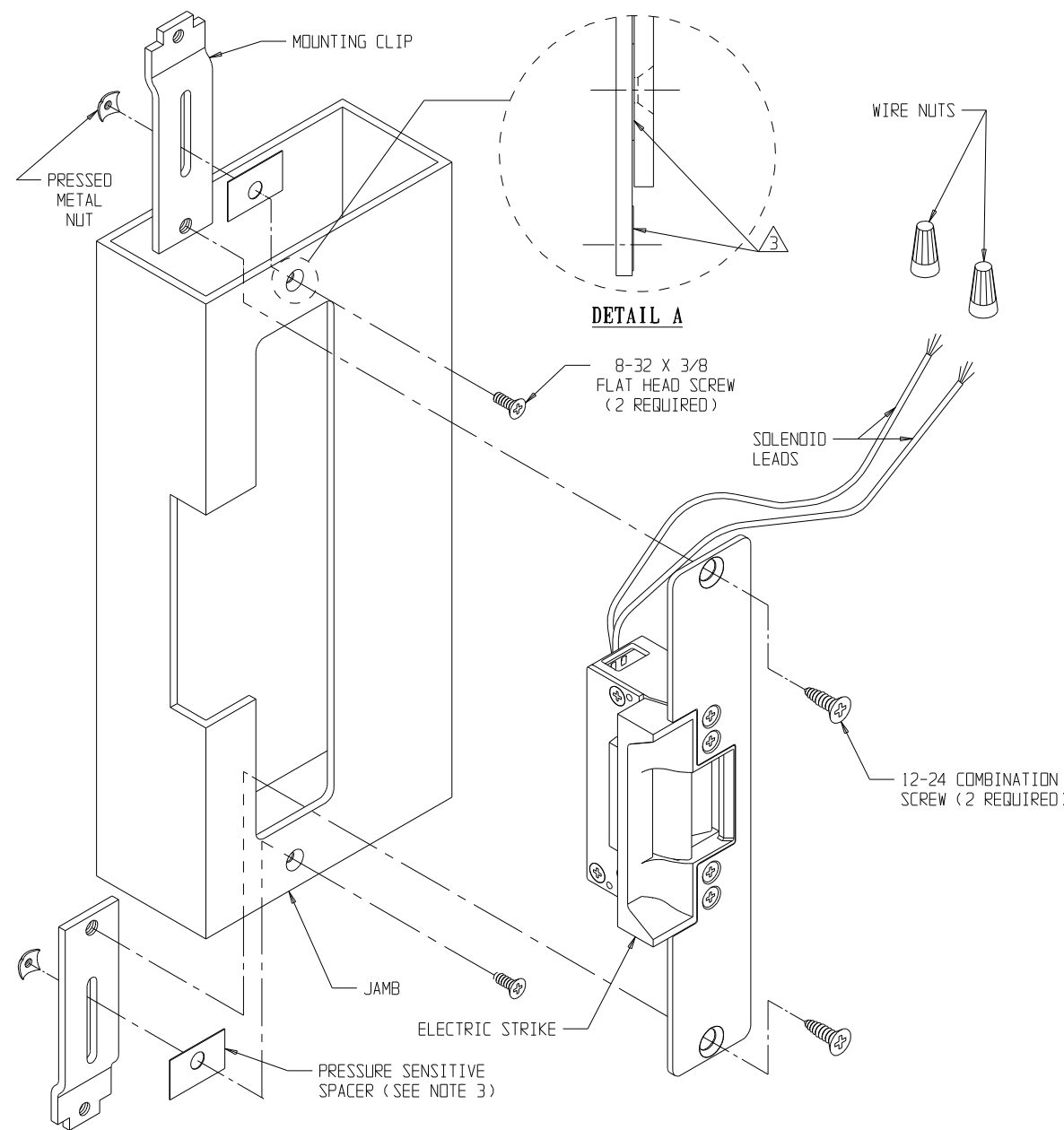
DASH NO.	DIM "A"	DASH NO.	DIM "A"	DASH NO.	DIM "A"
NONE	1.06	-05	2.00	-10	2.63
-01	1.50	-06	2.13	-11	2.75
-02	1.63	-07	2.25	-12	2.88
-03	1.75	-08	2.38	-13	3.00
-04	1.88	-09	2.50		

STANDARD UNIT FITS DIM. "A" UP TO 1.06" (SEE DASH NO.)

PRODUCT MUST BE INSTALLED ACCORDING TO ALL APPLICABLE BUILDING AND LIFE SAFETY CODES

REF. TEMPLATE NO. : 52035-0

PAGE 1 OF 2
PAGE 2 OF 2 IS 80-0180-381 REV. H



Adams Rite
ASSA ABLOY

www.adamsrite.com
Phone: 800-626-7590
800-872-3267
Fax: 866-582-4641
800-232-7329

80-0180-379

Rev. G

Ecn 11955D

Date: 06/21/12

7110 ELECTRIC STRIKE FOR ALUMINUM JAMB W/ AR 4500/4700 DEADLATCHES

Page 1 of 2

Appvd: MP

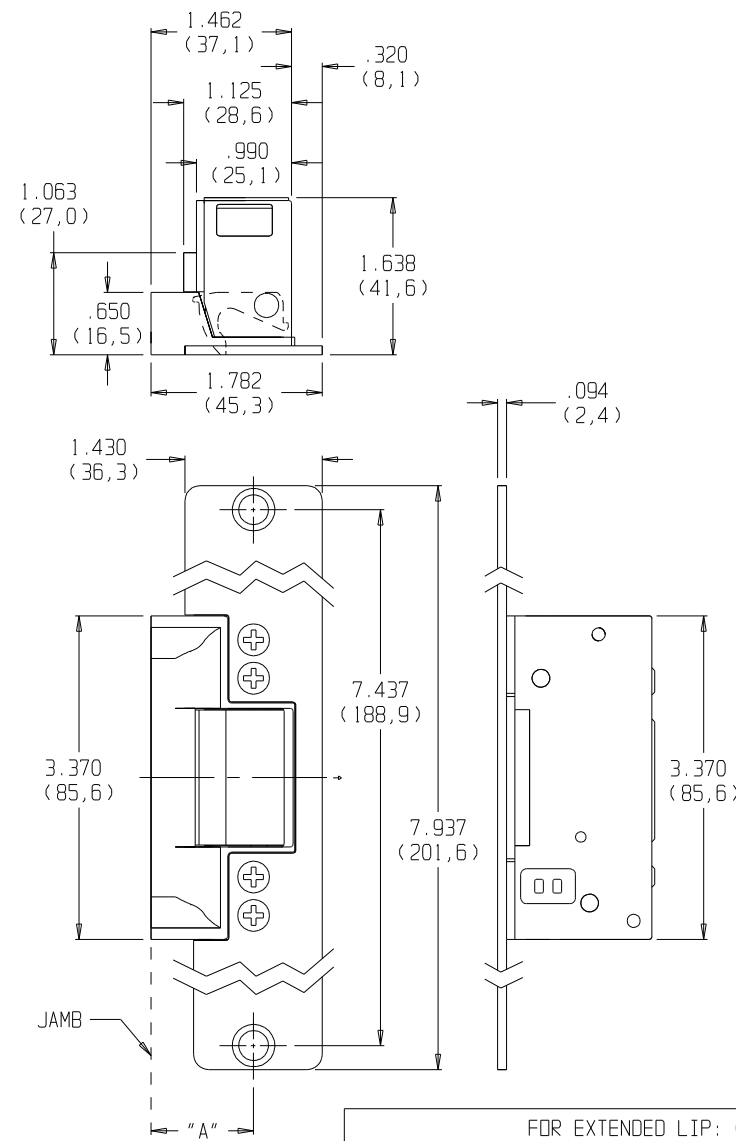
Date: 07/20/12

INSTALLATION INSTRUCTIONS

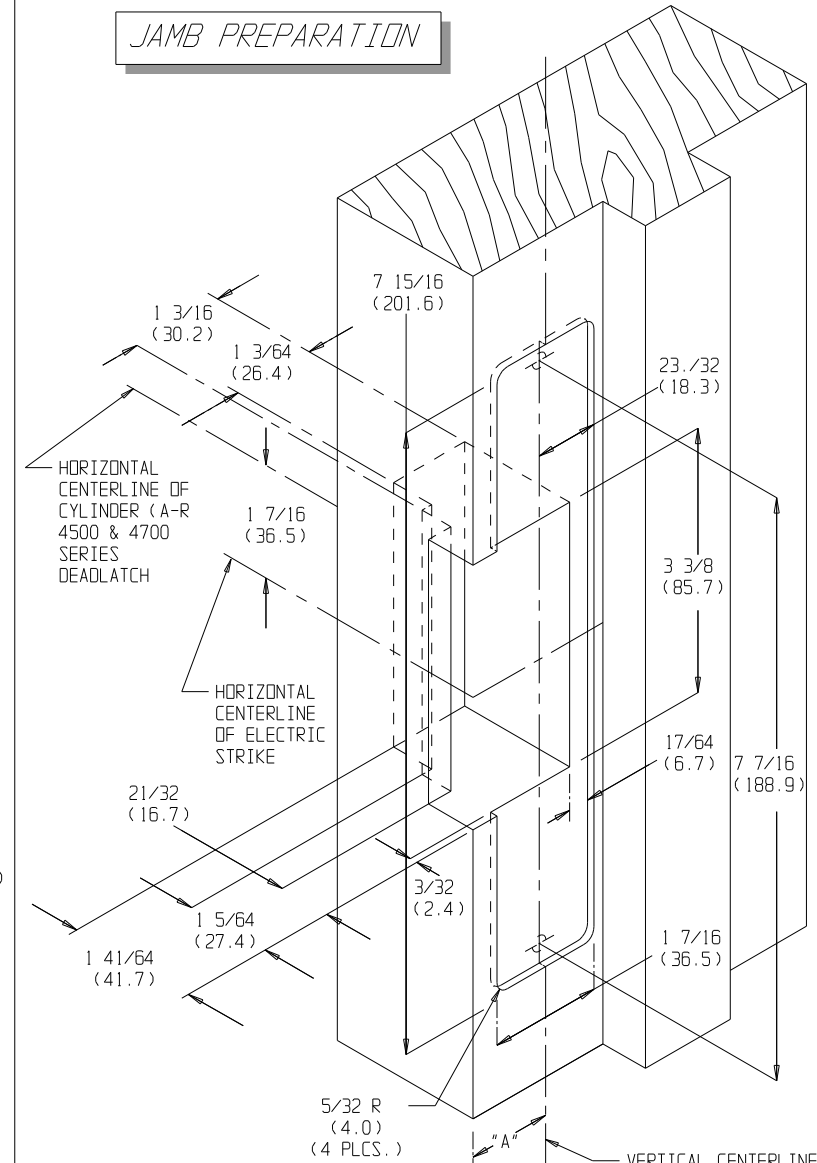
1. PREPARE DOOR JAMB PER DRAWING.
2. ATTACH SUBCOVER AND FACE PLATE TO THE CASE ASSEMBLY USING FOUR 8-32 X 1/4 SCREWS.
3. USING WIRE NUTS PROVIDED, CONNECT WIRES FROM SOLENOID TO THE WIRES COMING FROM THE LOW VOLTAGE SIDE OF THE TRANSFORMER.
4. INSERT ELECTRIC STRIKE INTO JAMB. ATTACH WITH TWO #12 COMBINATION SCREWS.

STATIC STRENGTH 1500 lbs.	DYNAMIC STRENGTH 70-foot-pound-force	ENDURANCE 250,000 cycles
------------------------------	---	-----------------------------

ELECTRIC STRIKE DIMENSIONS



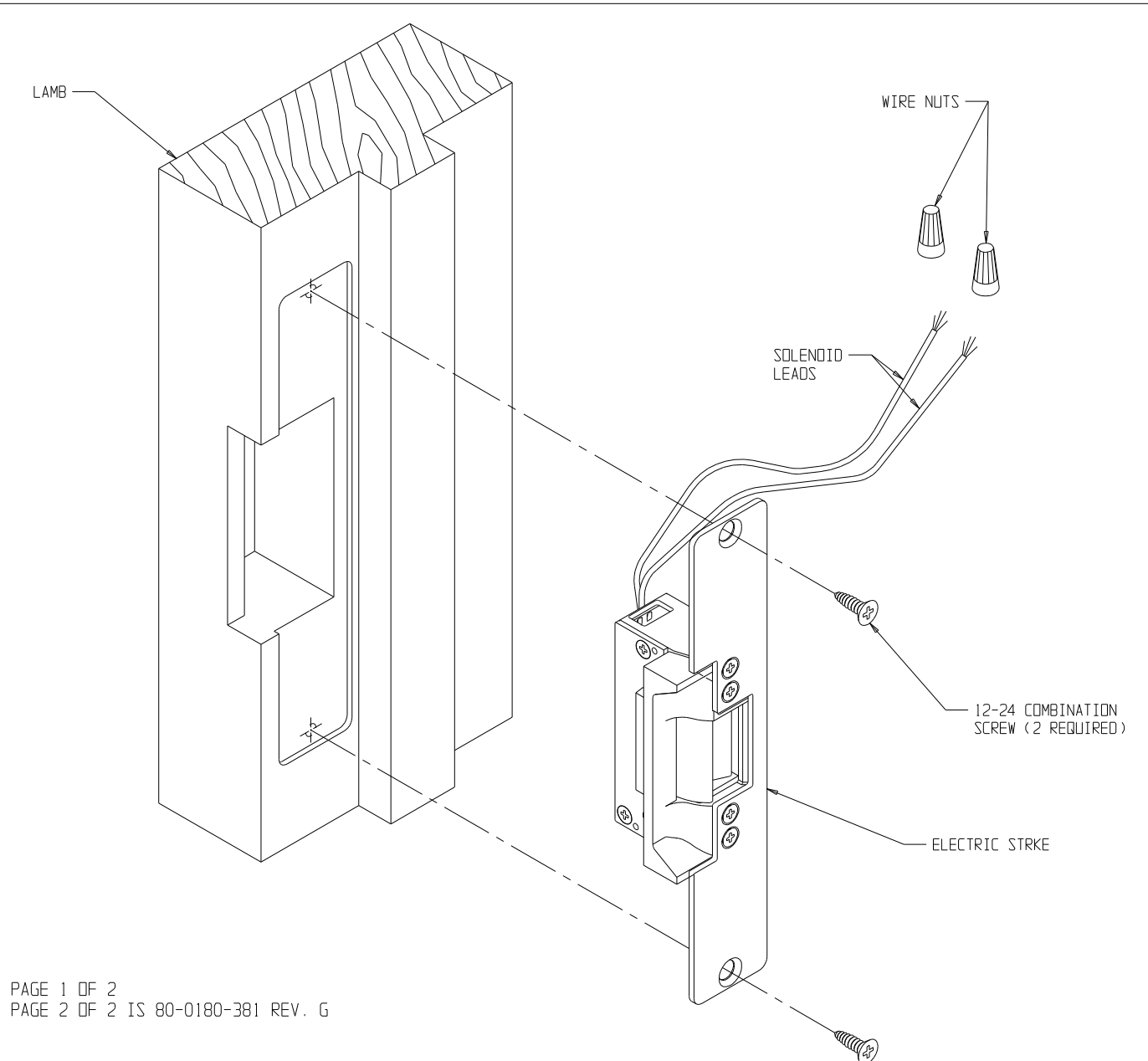
JAMB PREPARATION



FOR EXTENDED LIP: (DIM "A" DOOR + TO JAMB EDGE)

DASH NO.	DIM "A"	DASH NO.	DIM "A"	DASH NO.	DIM "A"
NONE	1.06	-05	2.00	-10	2.63
-01	1.50	-06	2.13	-11	2.75
-02	1.63	-07	2.25	-12	2.88
-03	1.75	-08	2.38	-13	3.00
-04	1.88	-09	2.50		

NOTE: WHEN DOOR SILENCERS ARE USED ON FRAME, ADJUST STRIKE LOCATION TO ENSURE COMMON LATCH AND STRIKE CENTERLINES.



PAGE 1 OF 2
PAGE 2 OF 2 IS 80-0180-381 REV. G

REF. TEMPLATE NO. : 52030-0

STANDARD UNIT FITS DIM. "A" UP TO 1 1/16" (SEE DASH NO.)

PRODUCT MUST BE INSTALLED ACCORDING TO ALL APPLICABLE BUILDING AND LIFE SAFETY CODES



www.adamsrite.com
Phone: 800-626-7590
800-872-3267
Fax: 866-582-4641
800-232-7329

80-0180-357
Rev. G

Ecn 11955B

Date: 06-28/12

Page 1 of 2

Appvd: MP

Date: 07/06/12

7110 ELECTRIC STRIKE FOR WOOD JAMB W/ AR 4500/4700/4900 DEADLATCHES

Notes:

Fail-Secure Operation - Unlocks when energized. If power fails the strike remains in a locked condition.

Fail-Safe Operation - Locks when energized. Used in applications requiring automatic unlocking in case of power failure.

Available Voltages: 12V AC Intermittent duty, 12V AC/DC Continuous duty, 16V AC Intermittent duty, 16V AC/DC Continuous duty, 24V AC Intermittent duty, 24V AC/DC Continuous duty.

Warning !

AC Intermittent duty solenoids are designed to be energized 30 seconds at a time. Energizing for longer periods will damage the solenoid.

AC Continuous duty strikes are supplied with a A/R # 4603 rectifier attached to the solenoid leads. These are silent operation strikes - without the "buzzing" sound. They use a DC solenoid with an externally attached, full-wave bridge rectifier.

Wiring

The number of wires will vary depending on features of the strike. The voltage and amperage ratings are marked on all strike labels. The solenoid wires are not polarized.

Monitoring (Optional)

Monitored strikes contain two, internally mounted, switches: one is activated by the latch bolt's penetration of the strike and the other indicates that the strike jaw is either locked or unlocked by the solenoid.

All unused leads from monitor switches should be insulated.

- Common contact -Black
- Normally open contact (NO) -White
- Normally closed contact (NC) -Red
- Maximum switching current -7 Amps @ 250 VAC

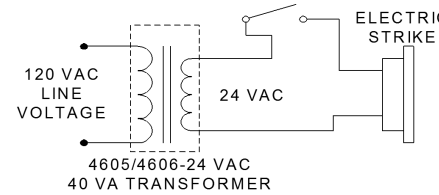
Warning !

Intermittent duty solenoids should not be converted to fail-safe configuration. Fail-safe units use only continuous duty solenoids.

Solenoid Data

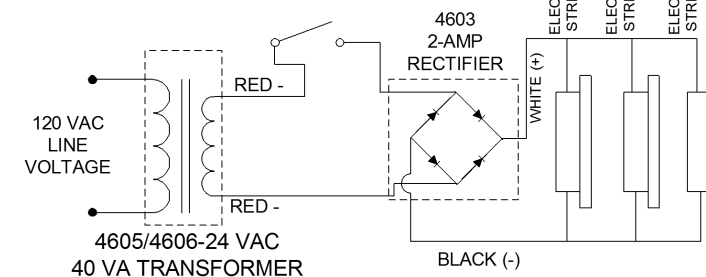
24 VDC CONT.	WHITE STRIPE ON BLACK	141.6	.170	.170	4.09	4.09
16 VDC CONT.	GREEN STRIPE ON BLACK	61.8	.222	.222	3.05	3.05
12 VDC CONT.	RED STRIPE ON BLACK	34.6	.332	.332	3.81	3.81
24 VAC INT.			.744	.431	19.15	6.43
16 VAC INT.	BLUE STRIPE ON BLACK	16.3	1.030	.636	17.30	6.60
12 VAC INT.	YELLOW STRIPE ON BLACK	8.8	1.420	.813	17.74	5.82
DESCRIPTION	WIRE COLOR	COIL RESISTANCE (OHMS ±5%)	PEAK INSTANTANEOUS CURRENT (AMPS)	CONTINUOUS OR HOLD CURRENT (AMPS)	PEAK INSTANTANEOUS POWER (WATTS)	CONTINUOUS OR HOLD POWER (WATTS)

Control Switch (N.O.)
(ex. Pushbutton, keypad, Card Reader)
DRY CONTACTS!



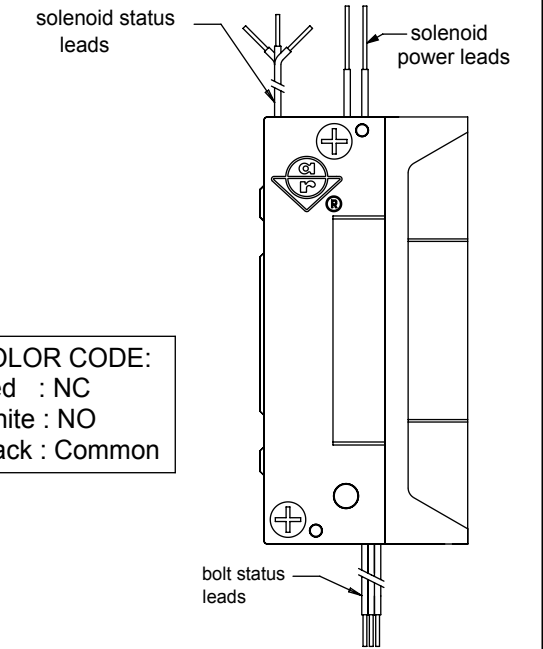
**TYPICAL ELECTRIC STRIKE WIRING DIAGRAM
INTERMITTENT DUTY FAIL-SECURE 24 VAC**

Control Switch (N.O.)
(ex. Pushbutton, keypad, Card Reader)
DRY CONTACTS!

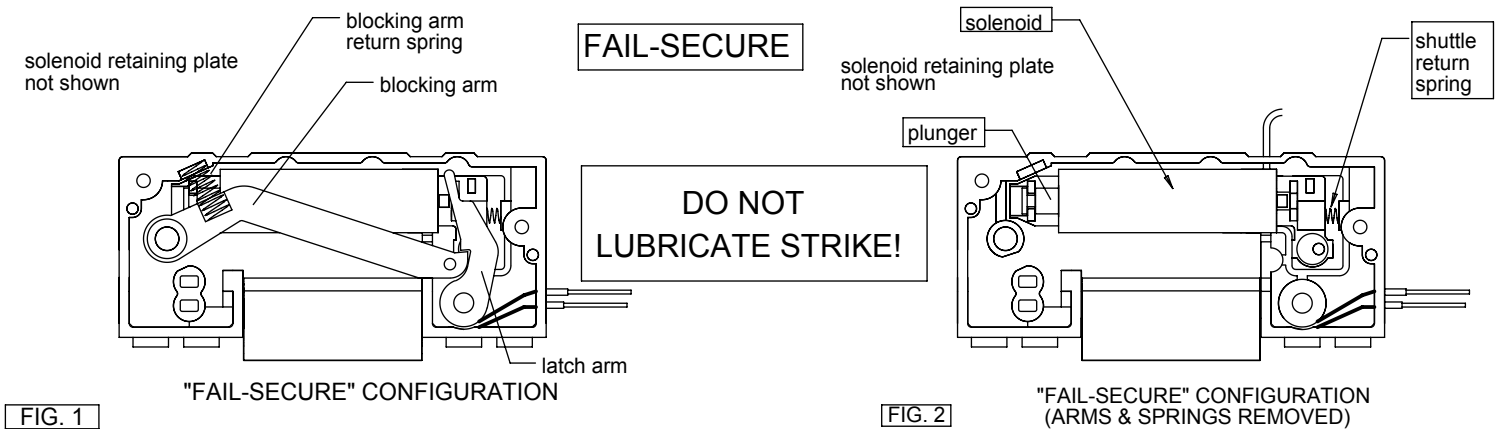


**TYPICAL ELECTRIC STRIKE WIRING DIAGRAM
INTERMITTENT/CONTINUOUS DUTY 24 VDC**

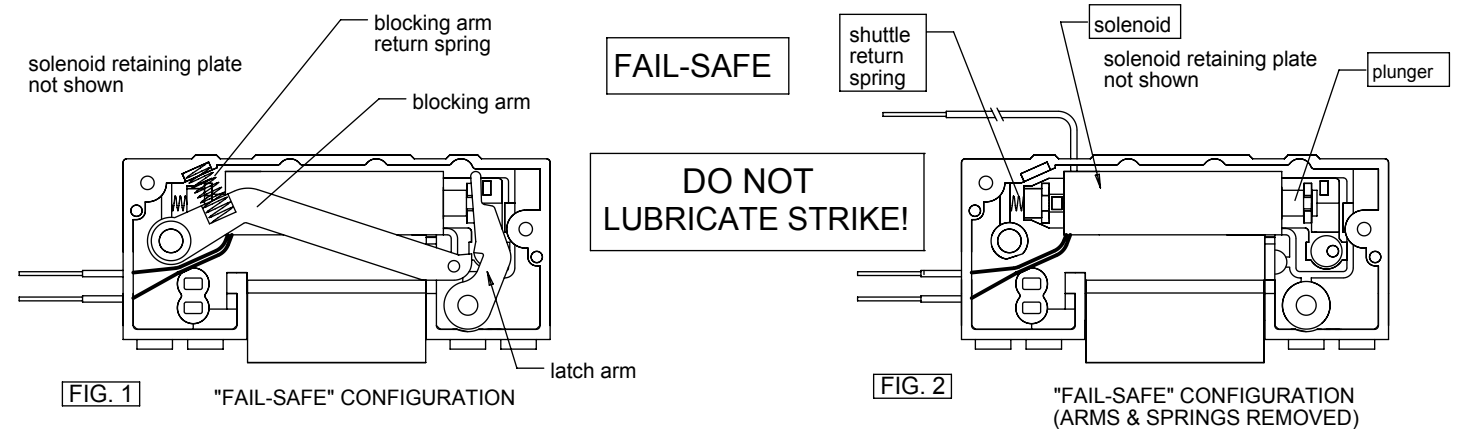
WIRE CODING (MONITORED VERSION)



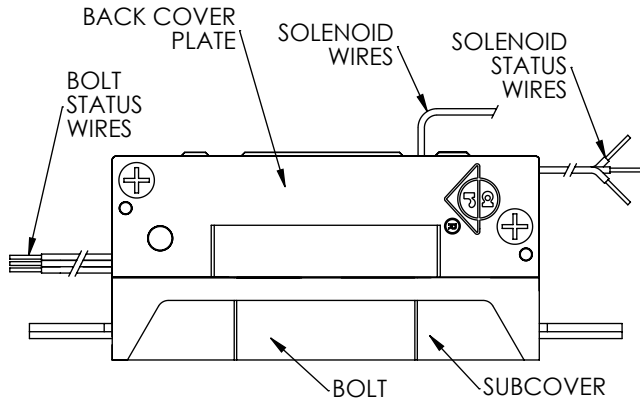
FIELD REVERSIBLE (FAIL-SECURE)



FIELD REVERSIBLE (FAIL-SAFE)

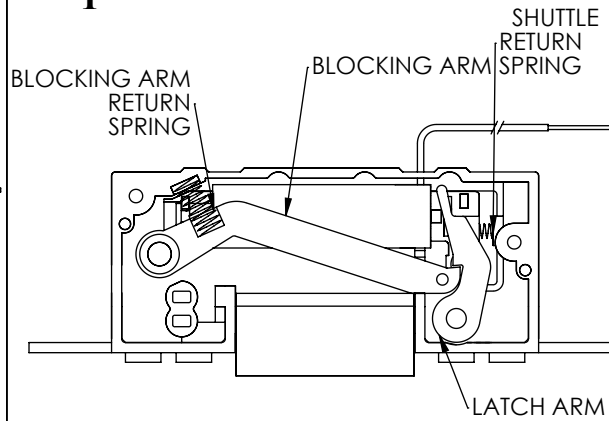


WIRE CODING FOR MONITORED VERSION



MONITOR WIRING	POWER INPUT WIRING
NC: RED	12VAC: YELLOW/BLACK
NO: WHITE	12VDC, 24VAC: RED/BLACK
COMMON: BLACK	24VDC: WHITE/BLACK

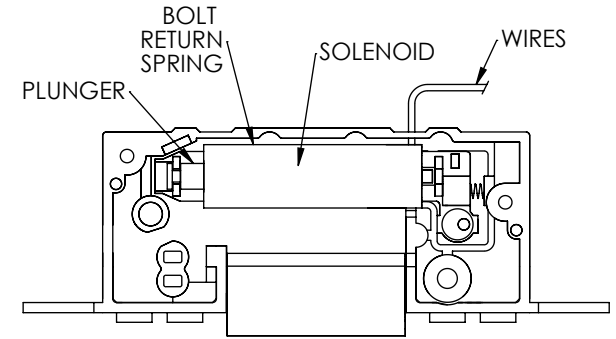
STEP 1



REMOVE SUBCOVER (ONE SCREW)
 REMOVE BACK COVER PLATE (TWO SCREWS)
 CAREFULLY REMOVE BLOCKING ARM SPRING
 REMOVE BLOCKING ARM AND LATCH ARM

STEP 2

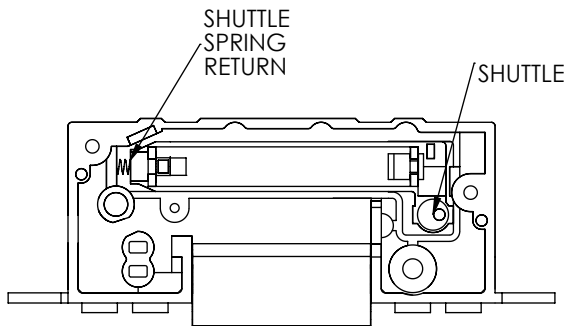
FAIL SECURE



REMOVE SOLENOID

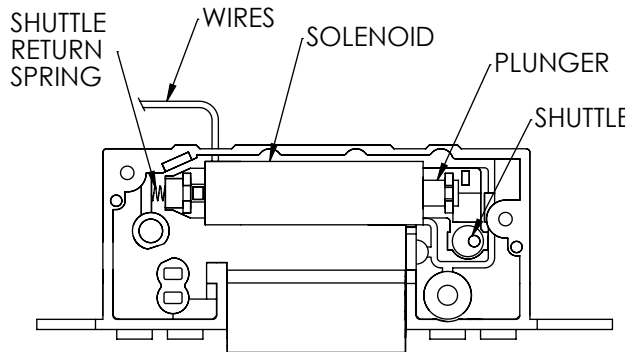
STEP 3

FAIL SAFE



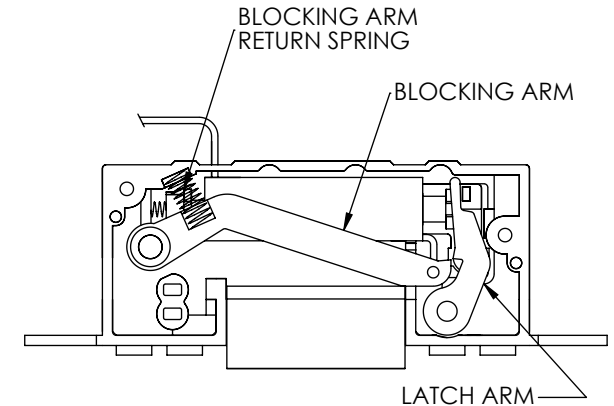
TRANSFER SHUTTLE RETURN SPRING TO OPPOSITE END OF SHUTTLE. NOTE: WHATEVER THE FUNCTION, THE SHUTTLE RETURN SPRING SHOULD ALWAYS BE AT OPPOSITE END TO THE SOLENOID PLUNGER.

STEP 4



REVERSE SOLENOID AND REPLACE, ENSURING CORRECT PLACEMENT AND ALIGNMENT. WITH THE SOLENOID SEATED PROPERLY THE SHUTTLE SHOULD MOVE FREELY.

STEP 5



REPLACE LATCH ARM AND BLOCKING ARM (WITH SPRING)
 REPLACE BACK COVER PLATE
 REPLACE SUBCOVER
 * TEST PRIOR TO INSTALLATION*



www.adamsrite.com
 Phone: 800-626-7590
 800-872-3267

Fax: 866-582-4641
 800-232-7329



7100 EL-STRIKE FIELD CONVERSION

80-0180-472

Rev. C Ecn 11955D

INSTALLATION INSTRUCTIONS

Date: 07/20/12

Appvd: MP