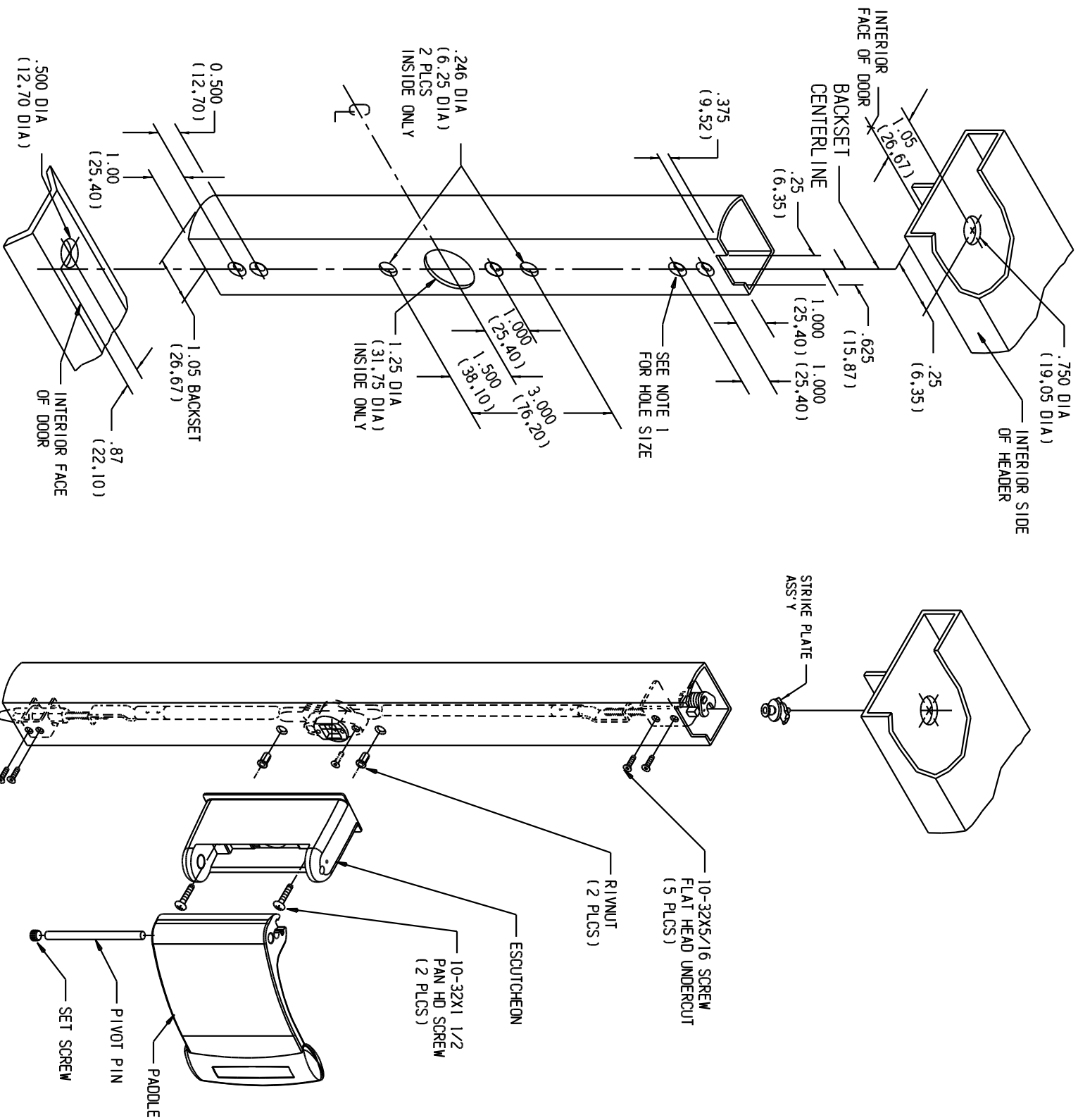


# CONCEALED VERTICAL ROD & PADDLE

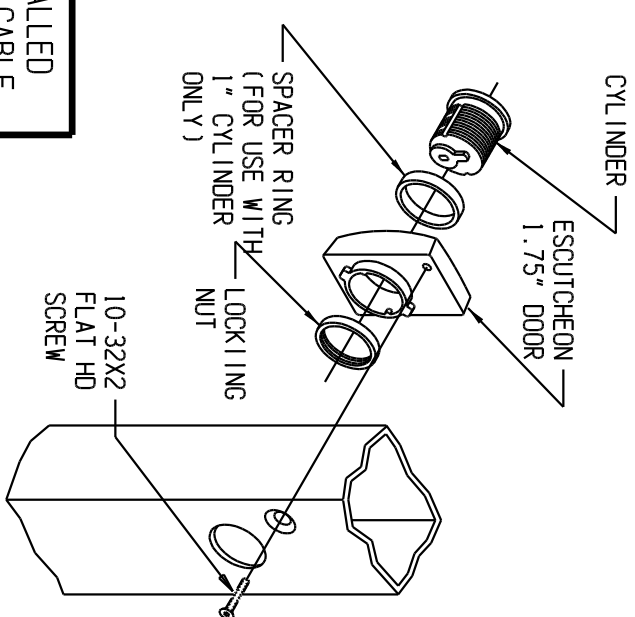
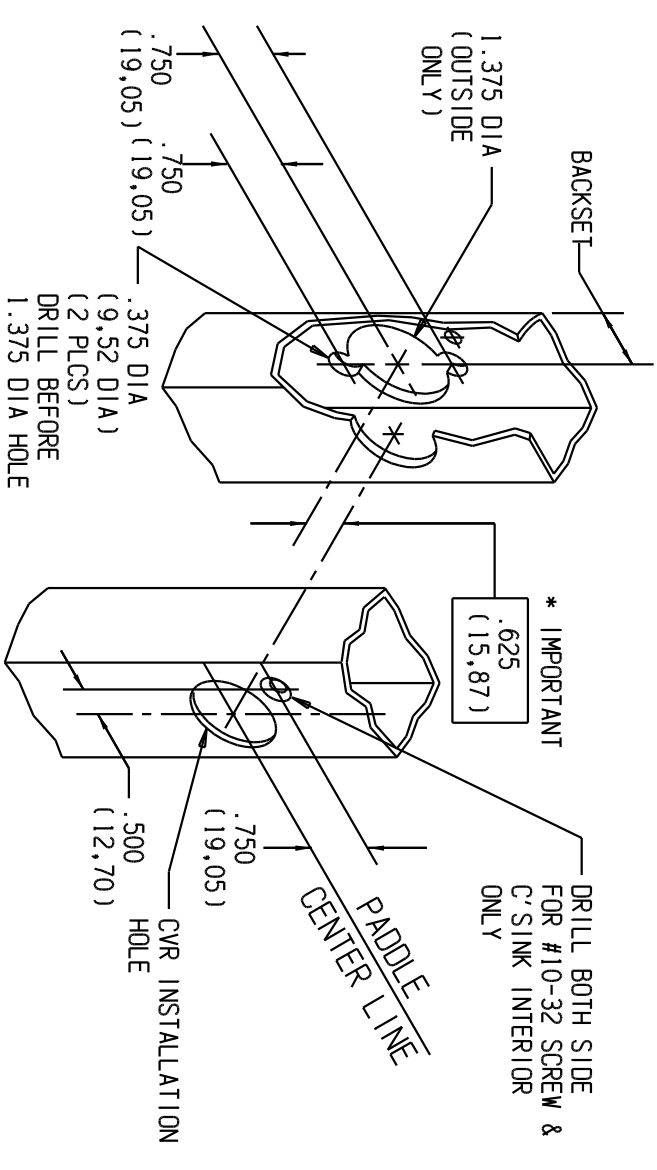
**IMPORTANT!**  
FOLLOW THE INSTALLATION  
INSTRUCTIONS ON THE OPPOSITE SIDE.

# AMERICAN MORTISE CYLINDER

ALL DIMENSIONS IN INCH WITH MM EQUIVALENT IN ( ).



NOTE 1: DRILL AND COUNTERSINK 5 HOLES FOR #10-32 FLAT HEAD SCREWS, INSIDE ONLY.



PRODUCT MUST BE INSTALLED  
ACCORDING TO ALL APPLICABLE  
BUILDING AND LIFE SAFETY CODES



**Adams Rite**

**ASSA ABLLOY**

www.adamsrite.com  
Phone: 800-626-7590  
800-872-3267  
Fax: 866-582-4641  
800-232-7329

**80-0180-128**

**4781 TWO-POINT LATCH**

**INSTALLATION INSTRUCTIONS**

Rev. **G**

Ecn 11955A

Date: 06-21-12

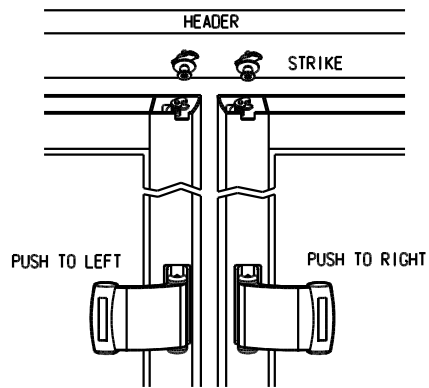
Page 1 of 2

Appvd: MP

Date: 07-06-12

# INSTALLATION INSTRUCTION CHECKLIST

## 4781 TWO-POINT LATCH



### IMPORTANT!

The rod mechanism is unhandled. It can be installed in either push to left or push to right without alteration. The doors' lead stile and header preparation are IDENTICAL *not* mirror image. Note in the sketch above that the yoke type bolt *always* faces right (as viewed from inside) and the strike post is toward the back of the backset centerline for *both* doors.

**NOTE** STEPS 1 THRU 5 ARE MORE EASILY ACCOMPLISHED IF DOOR IS NOT INSTALLED IN FRAME.

### HOW TO FIND BACKSET

