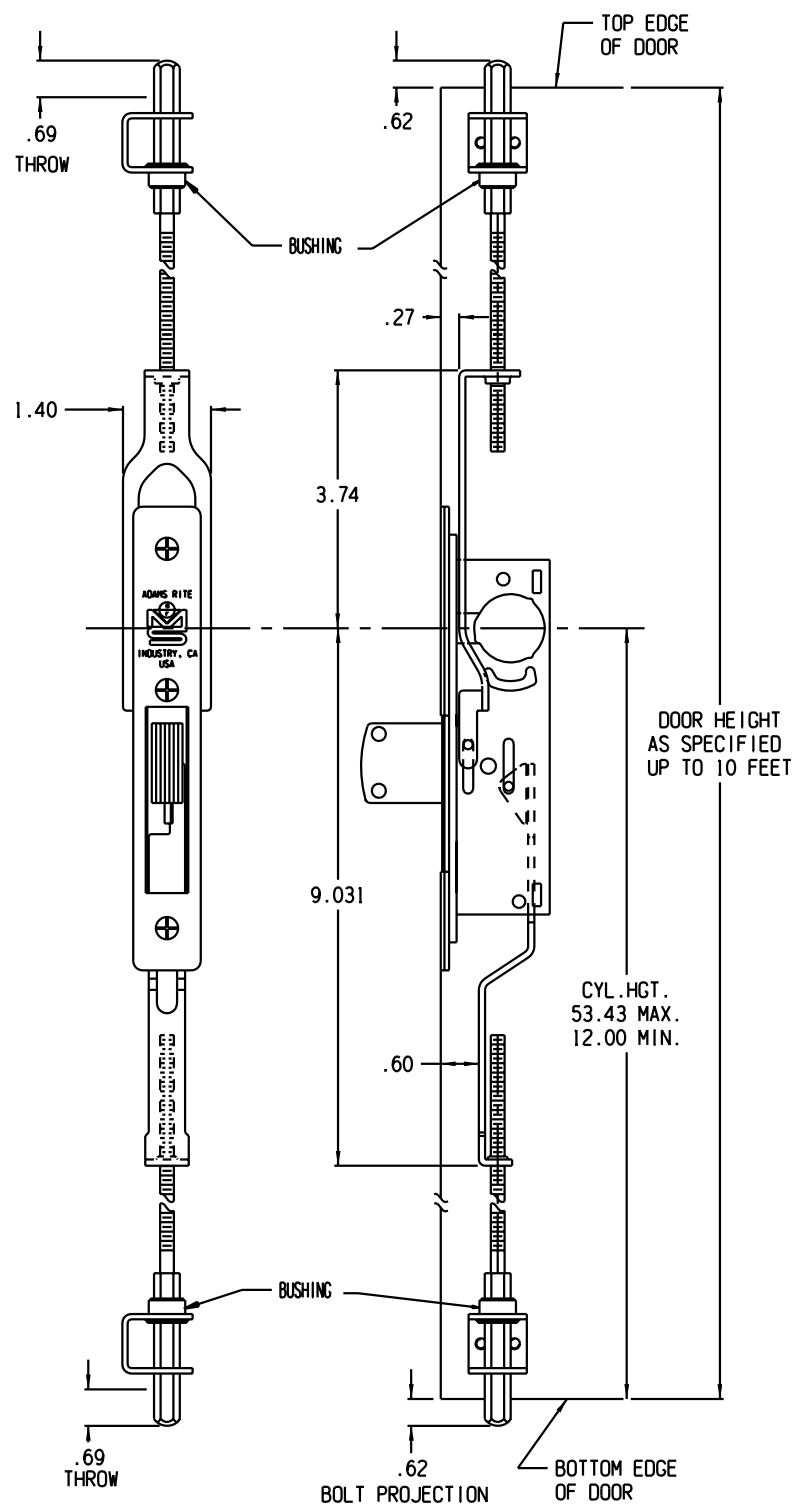
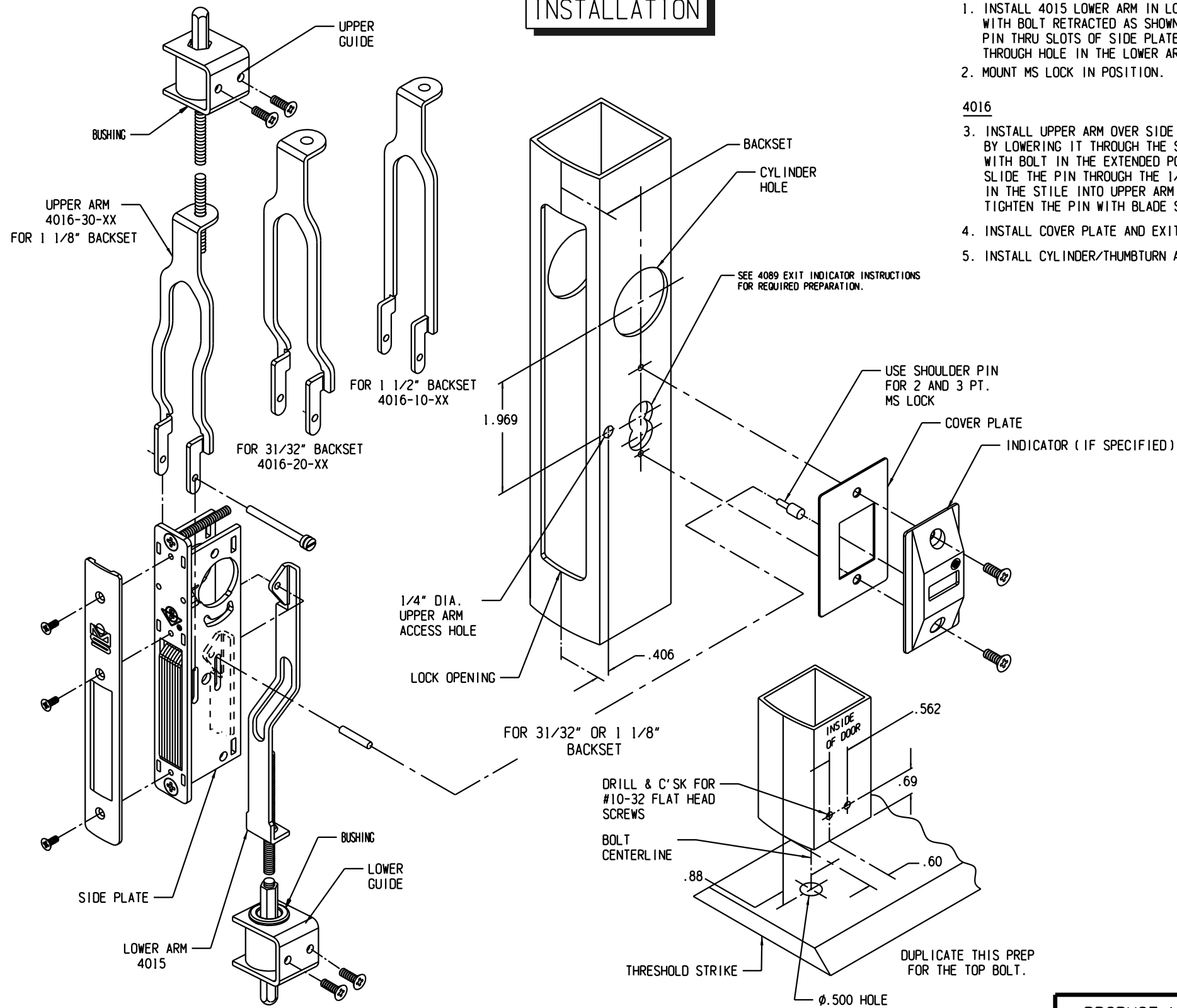


DIMENSIONS



INSTALLATION



4015

1. INSTALL 4015 LOWER ARM IN LOCK FROM REAR WITH BOLT RETRACTED AS SHOWN. DRIVE ROLL PIN THRU SLOTS OF SIDE PLATES PASSING THROUGH HOLE IN THE LOWER ARM.
2. MOUNT MS LOCK IN POSITION.

4016

3. INSTALL UPPER ARM OVER SIDE PLATES BY LOWERING IT THROUGH THE STILE WITH BOLT IN THE EXTENDED POSITION. SLIDE THE PIN THROUGH THE 1/4" HOLE IN THE STILE INTO UPPER ARM AND THE LOCK. TIGHTEN THE PIN WITH BLADE SCREW DRIVER.
4. INSTALL COVER PLATE AND EXIT INDICATOR.
5. INSTALL CYLINDER/THUMBTURN AS REQUIRED.

PRODUCT MUST BE INSTALLED ACCORDING TO ALL APPLICABLE BUILDING AND LIFE SAFETY CODES



Adams Rite Manufacturing Co.
260 Santa Fe Street,
Pomona, CA 91767
Phone: 909-632-2300
Fax: 909-632-2369
www.adamsrite.com

80-0180-4016

4015 / 4016, 3-POINT LOCK (STANDARD STILES)

INSTALLATION INSTRUCTIONS

Rev. G

Ecn 11874

Date: 01/25/2012

Page 1 of 1

Appvd: MP

Date: 01/26/2012