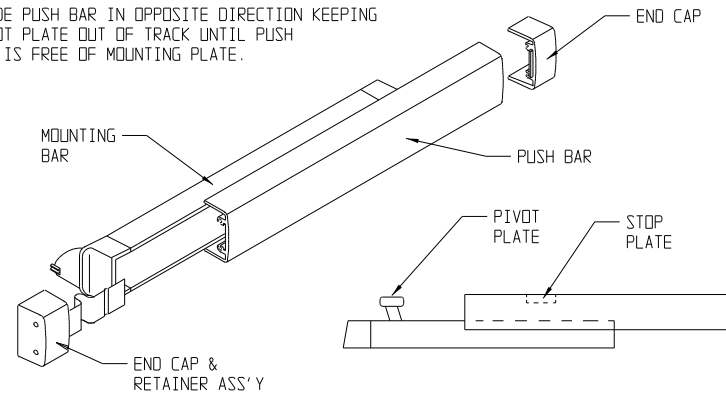


SEPARATING PUSH BAR AND MOUNTING BAR PROCEDURE

1. REMOVE BOTH END CAPS. THE RETAINER IS ATTACHED TO THE NOSE END CAP.
2. SLIDE PUSH BAR TOWARD HINGE SIDE OF DOOR.
3. CONTINUE TO SLIDE THE PUSH BAR PAST THE PIVOT PLATE THAT RIDES IN PUSH BAR TRACK.
4. SLIDE PUSH BAR IN OPPOSITE DIRECTION KEEPING PIVOT PLATE OUT OF TRACK UNTIL PUSH BAR IS FREE OF MOUNTING PLATE.



INSTALLING PUSH BAR TO MOUNTING BAR

1. WITH PUSH BAR IN HAND AND MOUNTING BAR ATTACHED TO DOOR, FIND STOP PLATE STAKED INTO PUSH BAR. (THIS PLATE IS ON THE LATCH END OF ASSEMBLED UNIT). SLIDE THE PIVOT PLATE NEAREST HINGE INTO TRACK OF PUSH BAR UNTIL SECOND PIVOT PLATE IS EXPOSED. INSERT SECOND PIVOT PLATE INTO TRACK ON PUSH BAR AND SLIDE IN OPPOSITE DIRECTION UNTIL PUSH BAR AND MOUNTING BAR ALIGN.

LATCH & STRIKE INSTALLATION

INSTALL LATCH AND STRIKE USING SCREWS SHOWN. BE SURE LATCH AND STRIKE ARE SECURELY MOUNTED. NOTE: LATCH FOR BEVELED DOORS IS NOT REHANDABLE

MOUNTING BAR INSTALLATION

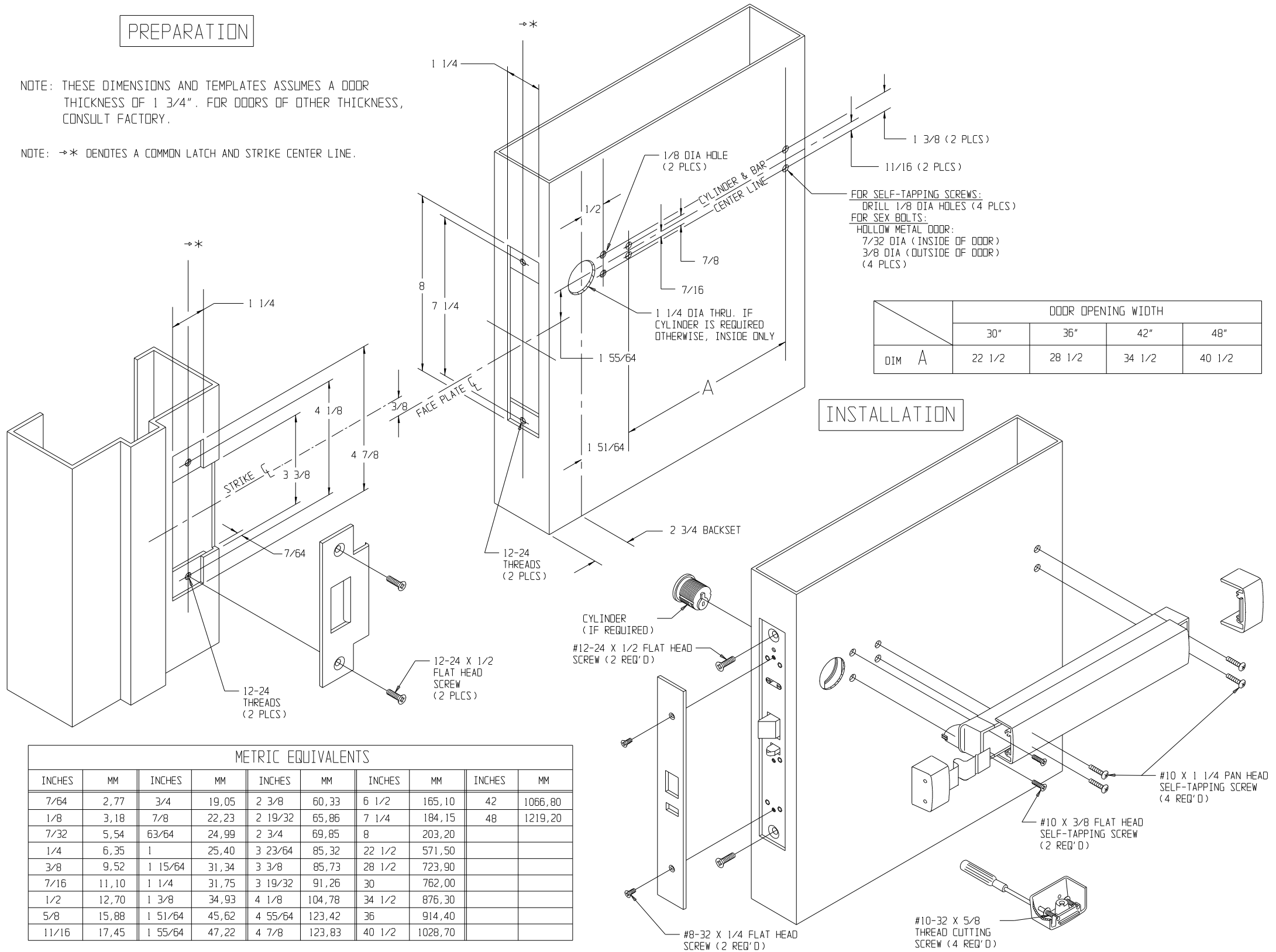
1. REMOVE PUSH BAR FROM MOUNTING BAR FOLLOWING THE "SEPARATING PUSH BAR AND MOUNTING BAR PROCEDURE".
2. DEPRESS LATCH BOLT.
3. INSERT BAR ASSEMBLY CAM PLUG THROUGH DOOR AND SIDE PLATE. NOTE: SQUARE KEY ON PLUG MUST ALIGN WITH SQUARE NOTCH ON SIDE PLATE.
4. USE #10 TYPE "AB" SELF-TAPPING SCREWS FOR BOTH HOLLOW METAL AND WOOD DOOR TO SECURE LATCH END OF MOUNTING BAR.
5. IF SEX BOLTS ARE USED INSTEAD OF SELF-TAPPING SCREWS, INSERT SEX BOLTS THROUGH DOOR SO THEY ALIGN WITH 7/32 DIA HOLES ON INTERIOR OF DOOR. PLACE MOUNTING BAR AGAINST DOOR AND USE 10-32 MACHINE SCREWS TO ATTACH BAR TO DOOR.
6. INSTALL PUSH BAR. FOLLOWING "PUSH BAR TO MOUNTING BAR PROCEDURE".

NOTE: FOR CUTOFF INSTRUCTIONS FOR NON-STANDARD DOORS AND LATCH & BAR RE-HANDING INSTRUCTIONS, SEE THE OPPOSITE SIDE OF THIS INSTRUCTION SHEET.

PREPARATION

NOTE: THESE DIMENSIONS AND TEMPLATES ASSUMES A DOOR THICKNESS OF 1 3/4". FOR DOORS OF OTHER THICKNESS, CONSULT FACTORY.

NOTE: →* DENOTES A COMMON LATCH AND STRIKE CENTER LINE.



		DOOR OPENING WIDTH			
		30"	36"	42"	48"
DIM	A	22 1/2	28 1/2	34 1/2	40 1/2

METRIC EQUIVALENTS									
INCHES	MM	INCHES	MM	INCHES	MM	INCHES	MM	INCHES	MM
7/64	2,77	3/4	19,05	2 3/8	60,33	6 1/2	165,10	42	1066,80
1/8	3,18	7/8	22,23	2 19/32	65,86	7 1/4	184,15	48	1219,20
7/32	5,54	63/64	24,99	2 3/4	69,85	8	203,20		
1/4	6,35	1	25,40	3 23/64	85,32	22 1/2	571,50		
3/8	9,52	1 15/64	31,34	3 3/8	85,73	28 1/2	723,90		
7/16	11,10	1 1/4	31,75	3 19/32	91,26	30	762,00		
1/2	12,70	1 3/8	34,93	4 1/8	104,78	34 1/2	876,30		
5/8	15,88	1 51/64	45,62	4 55/64	123,42	36	914,40		
11/16	17,45	1 55/64	47,22	4 7/8	123,83	40 1/2	1028,70		



www.adamsrite.com
 Phone: 800-626-7590
 800-872-3267
 Fax: 866-582-4641
 800-232-7329

80-0180-83
 Rev. L

Ecn 11955B

PRODUCT MUST BE INSTALLED
 ACCORDING TO ALL APPLICABLE
 BUILDING AND LIFE SAFETY CODES

**3300 FIRE RATED EXIT DEVICE
 FOR HOLLOW METAL DOOR**

CUT-OFF INSTRUCTIONS FOR NON-STANDARD DOORS

1. DRIVE OUT TWO ROLL PINS.
2. REMOVE MOUNTING CAP.
3. COLLAPSE BAR AND TAPE DOWN IN THE AREA OF CUT-OFF.
4. DETERMINE EXTRUSION LENGTH ("B" DIM). (NOTE: 3 19/32" MINIMUM DIMENSION FROM RIVET CENTERLINE TO NEW CUT-OFF LENGTH AS SHOWN.)
5. MEASURE MOUNTING BAR (NOT PUSH BAR), AND MARK EXTRUSION LENGTH ON TAPE.
6. SAW OFF EXCESS LENGTH, REMOVE TAPE AND DEBURR.
7. LAY MOUNTING CAP OVER MOUNTING BAR (FIG "C") AND USE AS A GUIDE TO DRILL TWO 1/8" DIA HOLES.
8. RE-INSTALL MOUNTING CAP INTO MOUNTING BAR AND DRIVE TWO ROLL PINS INTO HOLES.

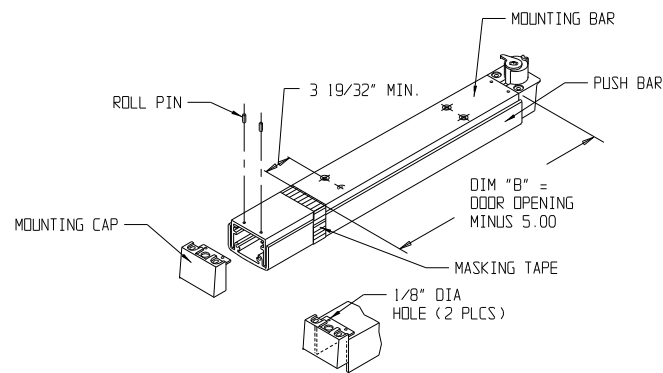
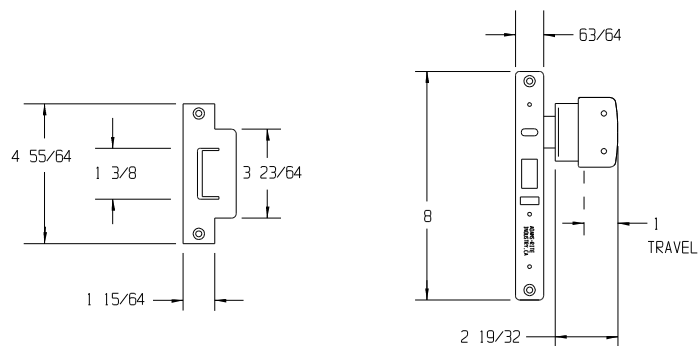


FIG. "C"

CHANGING HAND OF EXIT DEVICE

LATCH REVERSAL (LATCHES WITH BEVEL MOUNTING PLATES NOT REVERSIBLE)

1. REMOVE SPRING RETAINER PLATE.
2. REMOVE TWO SPRINGS.
3. REMOVE AUXILIARY BOLT.
4. REMOVE LATCH BOLT AND DEADLOCKING ARM ASS'Y BEING CAREFUL NOT TO LOSE SMALL INTERNAL SPRING.
5. REMOVE INTERNAL (DEADLOCKING) SPRING.
6. SLIDE PIN OUT OF LATCH BOLT AND REMOVE DEADLOCKING ARM.
7. REPLACE DEADLOCKING ARM ON OPPOSITE SIDE OF LATCH BOLT AND INSTALL PIN.
8. INSTALL INTERNAL SPRING AND INSERT LATCH BOLT AND DEADLOCKING ARM ASS'Y INTO LATCH CASE.
9. INSTALL AUXILIARY BOLT.
10. REPLACE TWO SPRINGS.
11. INSTALL SPRING RETAINER PLATE AND TIGHTEN SCREWS.

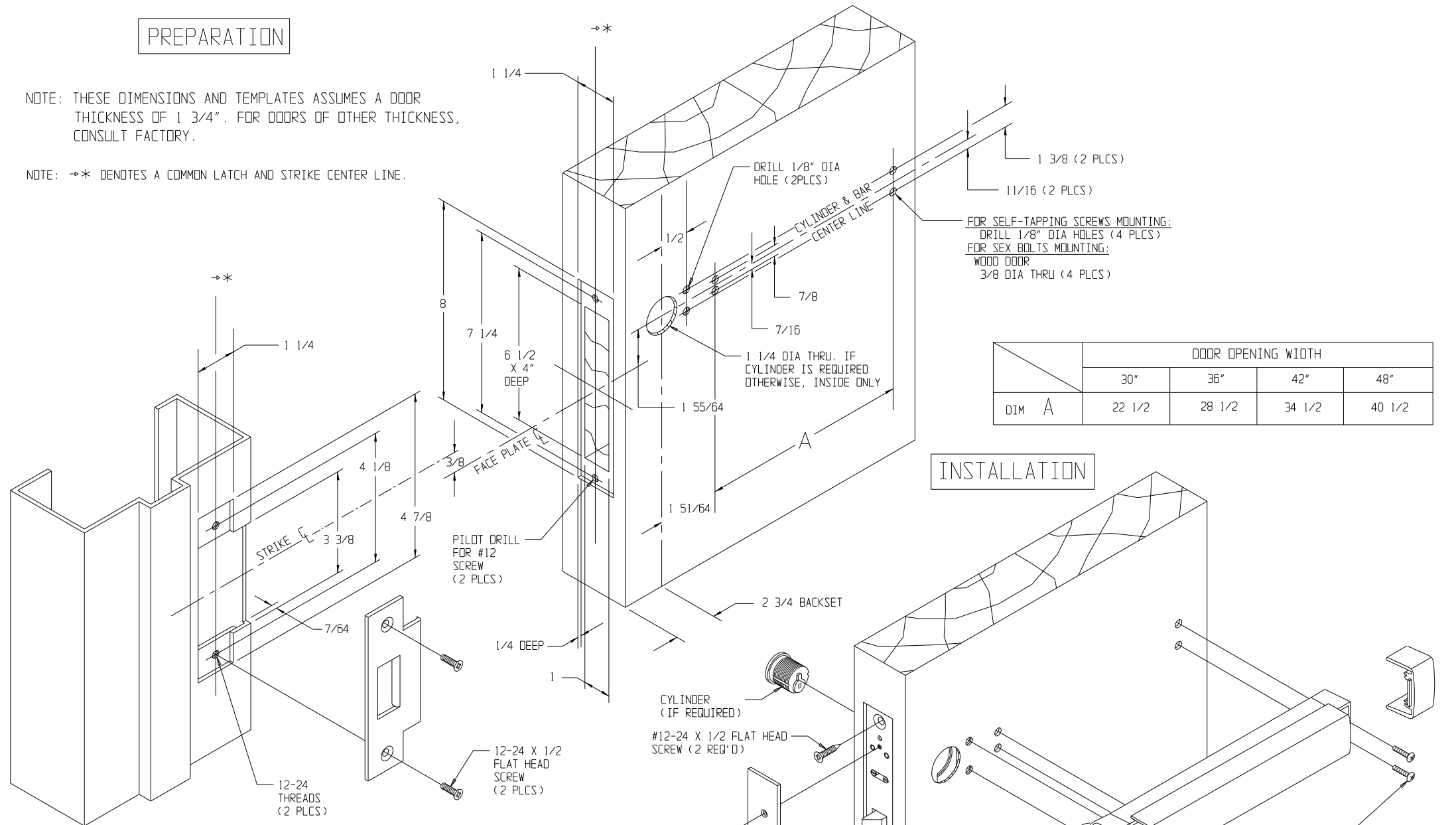


NOTE: FOR SEPARATING PUSH BAR & MOUNTING BAR PROCEDURE; INSTALLING PUSH BAR TO MOUNTING BAR PROCEDURE; MOUNTING BAR INSTALLATION PROCEDURE AND LATCH & STRIKE INSTALLATION, SEE OPPOSITE SIDE OF THIS INSTRUCTION SHEET.

PREPARATION

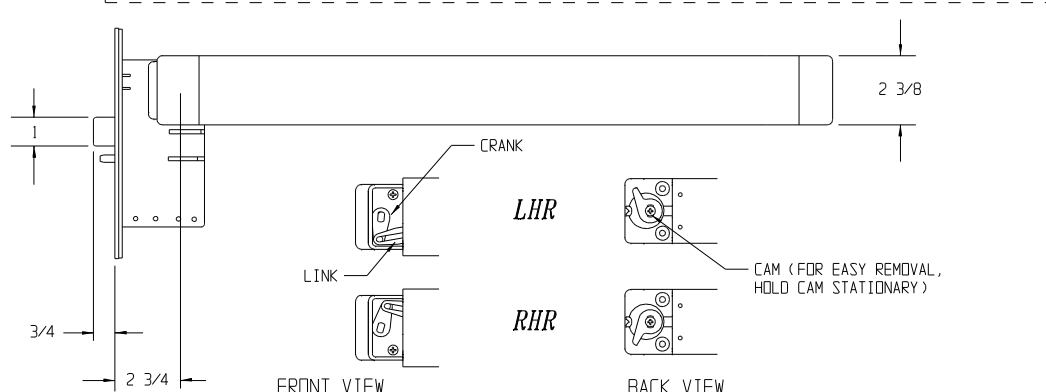
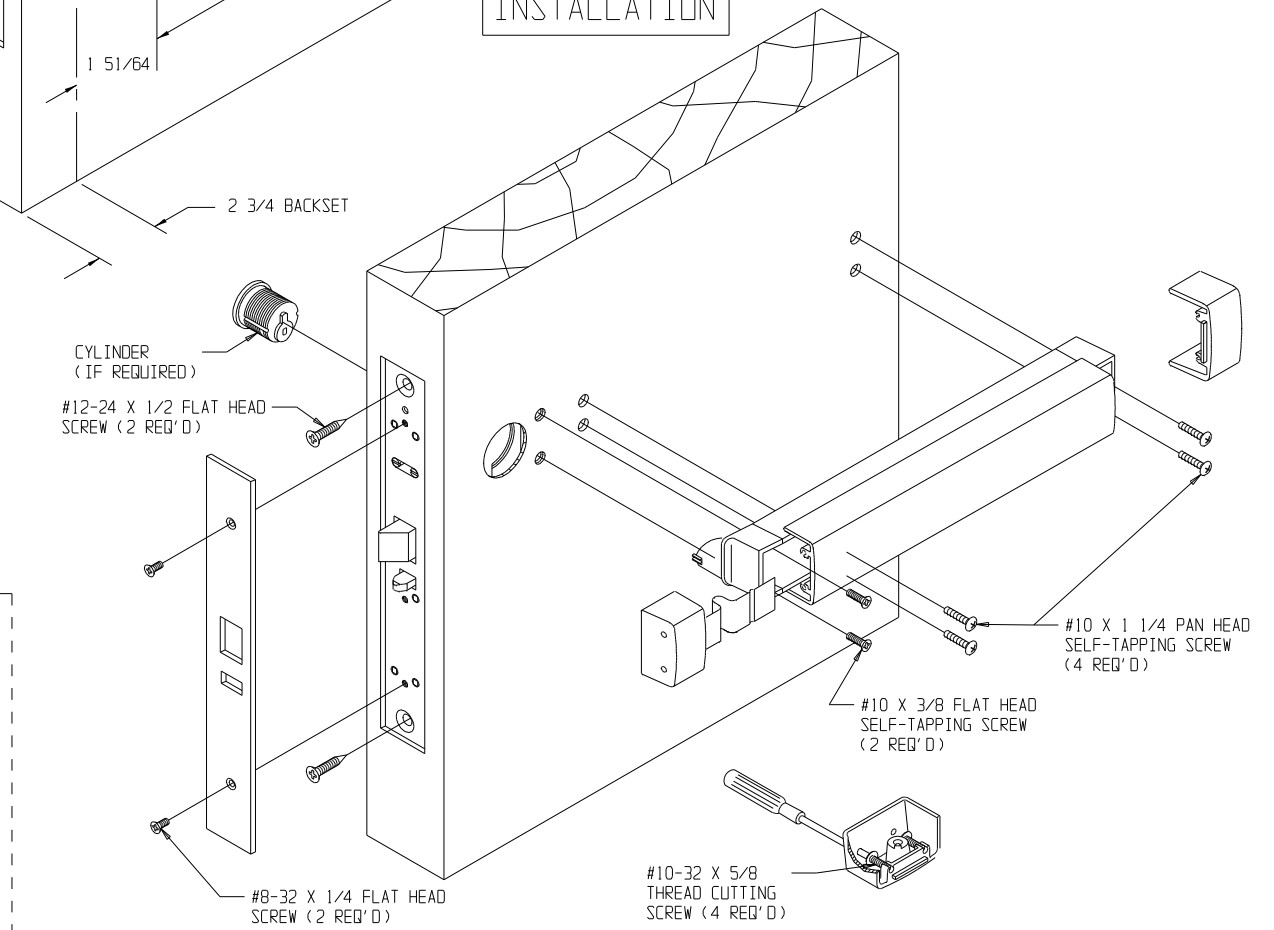
NOTE: THESE DIMENSIONS AND TEMPLATES ASSUMES A DOOR THICKNESS OF 1 3/4". FOR DOORS OF OTHER THICKNESS, CONSULT FACTORY.

NOTE: →* DENOTES A COMMON LATCH AND STRIKE CENTER LINE.



		DOOR OPENING WIDTH			
		30"	36"	42"	48"
DIM A		22 1/2	28 1/2	34 1/2	40 1/2

INSTALLATION



FRONT VIEW
DEPRESS PUSH BAR AND MOVE CRANK ARM TO OPPOSITE SIDE. CONTINUE MOVING CRANK ARM AS YOU RELEASE BAR

BACK VIEW
1. REMOVE CAM SCREW.
2. FLIP CAM OVER TO OPPOSITE POSITION.
3. REPLACE CAM SCREW AND TIGHTEN SECURELY.

3300 FIRE RATED EXIT DEVICE FOR WOOD DOOR