

eForce® 3090-150

Keyless Entry

A battery-operated keyless entry control device, the eForce 3090-150 Keyless Entry provides access control for Adams Rite deadlocks, deadlatches, and exit devices.

Function

The eForce 3090-150 Keyless Entry is a battery-operated keyless entry control for Adams Rite deadlocks, deadlatches and exit devices, that is compatible with aluminum and hollow metal door applications. The device can accommodate up to 150 users, including master, supervisor, emergency users plus two one-time codes. The eForce 3090-150 can operate in three modes: Standard, Passage, and Lockout. All programming is accomplished via the keypad. Device operation is confirmed by both a visual LED light indicator and an audible sound generated by a Piezo horn.

Operation

In the standard mode of operation, a programmed 2 to 7-digit character followed by a star (*) key allows for one entry when used with Adams Rite deadlatches or exit devices. When an authorized code is entered, rotate lever downward 90° to unlock or unlatch locking device. When released, lever returns to horizontal. The MS Deadlocks must always be relocked manually when used with the eForce 3090-150. Hold open time is adjustable from 1 to 9 seconds. eForce 3090-150 accepts any standard mortise cylinder with MS® cam, available separately.



Certifications

FCC Part 15 compliant

Features

- Surface mounted with concealed fasteners. Suitable for 1-3/4" [44.5 mm] to 2-1/4" [57.2 mm] door thickness
- Non-handed with clutched lever protection
- Powered by 4 AA alkaline batteries; supports 60,000 activations

Housing

Measures 1-3/4" [44.5 mm] wide x 15-3/8" [390.5 mm] high.

Handle

Clutch-protected cast zinc alloy, finished to match housing, field selectable handing.

Keypad

UV stable keypad material.

Operating Temperatures

Full outdoor rating; Temperature range from -31 to +151F [-35 to +66C] and 5 to 95% humidity (non-condensing).

Standard Package

Individually boxed with mounting hardware for 1-3/4" [44.5 mm] to 2-1/4" [57.2 mm] door thickness.

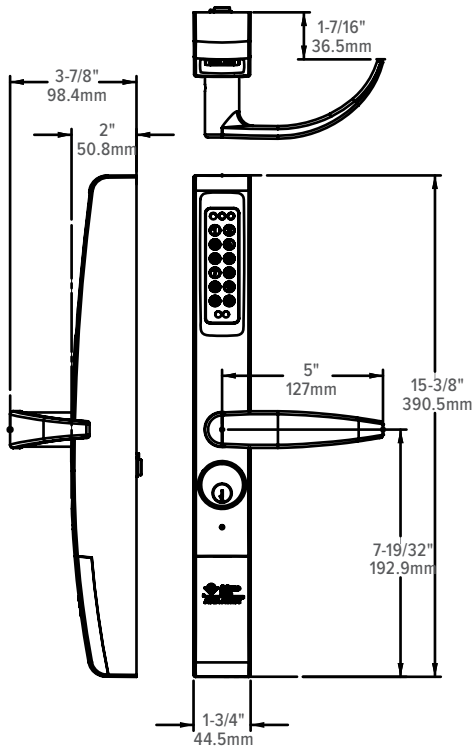
Shipping weight

5-1/2 lbs [2.49 kg].

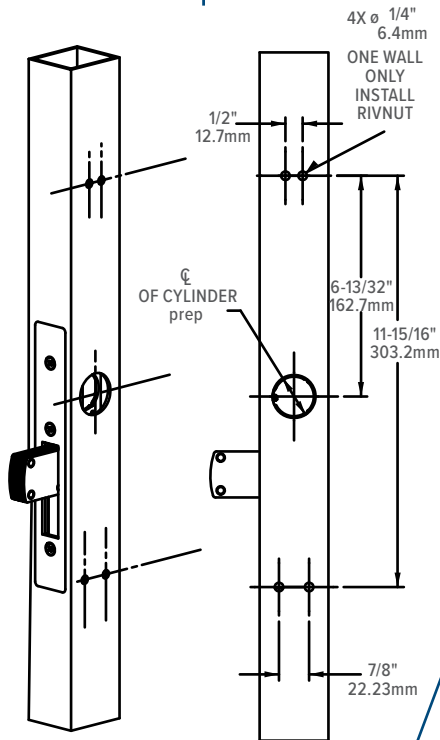
Options

- Remote activation input cable RSK-3090 available separately.
- Available in choice of powder coat 121 Dark Bronze to match 313 Dark Bronze Anodized, or US26D (626) Satin Chrome.

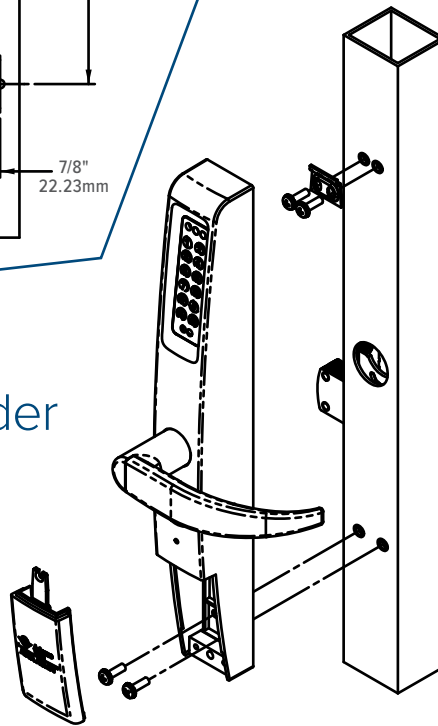
Dimensions



Stile Preparation



Lock & Cylinder Installation



How to Order, Related, & Compatible Products

3090-150 eForce® Keyless Entry: Specify quantity and the following information. Order related products separately.

MODEL	COMPATIBLE PRODUCTS	FINISH
3090	-01	-626
	01 Adams Rite latches or 8000 Series Exit Devices, Yale 7200 series, Corbin Russwin ED4000 series exit devices only	121 To match 313 Dark Bronze Anodized
	02 Adams Rite MS® deadlocks	626 Satin Chrome

RELATED

When purchasing this product, please consider the following related products, available separately:

CYLINDERS	ACCESSORIES
Standard 1" length, 1-5/32" diameter mortise cylinder with MS® cam such as 4036 Mortise Cylinder	RSK-3090 Remote Activation Kit

COMPATIBLE

DEADLOCKS	DEADLATCHES	EXIT DEVICES
MS1850S, MS1850S-050, MS1850SN, MS1850SN-050, MS1950, MS1950-050 Series Deadlocks	4510, 4530, 4900, 4920AN Series Deadlatches	8100, 8200 SVR, 8300, 8400 Mortise, 8500, 8600 CVR, 8700, 8800 Rim, 8900 SCVR Exit Devices with 31/32" backset or greater. Yale 7200 Series, Corbin Russwin ED4000 Series. Please check model number for availability.