

1870HM

Cylinder-Operated Flushbolt

Designed for greater key control, the 1870HM Cylinder-Operated Flushbolt prevents accidental locking of the inactive leaf of paired hollow metal doors. May be installed to lock at threshold or at header.

Function

Designed for use instead of conventional flip-lever operated flushbolts, 1870HM Cylinder-Operated Flushbolts give building management key control of the inactive leaf of paired hollow metal doors. Prevents casual locking of the inactive leaf by unauthorized persons. Uses same basic over-center action mechanism as MS® pivoted bolt deadlocks. Recommended for installation at both top and bottom of inactive door with MS1850SN MS Deadlock in active door for greatest security. May be installed to lock at threshold or at header.

Operation

360° turn of key throws or retracts the hex-section bolt. Key can be removed only when bolt is in a positively locked or unlocked position. Lock accepts any standard 1" [25.4 mm] length, 1-5/32" [29.4 mm] diameter mortise cylinder with MS® cam such as the 4036 Mortise Cylinder, or thumbturn such as the 4066 Thumbturn, available separately. Lock accepts cylinder from either or both sides.



Features

Cylinder Backset

1-1/4" [31.8 mm] only.

Cylinder Height

Standard length (cylinder center to door end) is 13-1/2" [342.9 mm]. Please contact factory for other lengths available by special order.

Case

Steel with corrosion-resistant plating. Measures 7/8" x 6" x 1-21/32" [22.2 mm x 152.4 mm x 42.1 mm].

Bolt

Stainless steel. Hexagonal 3/8" [9.5 mm] flat to flat, with 11/16" [17.5 mm] throw.

Strike

2-1/4" x 15/16" [57.2 mm x 23.8 mm] strike is supplied.

Faceplate

Measures 1" x 8" [25.4 mm x 203.2 mm]. Available in choice of 313 Dark bronze anodized, 335 Black anodized, 628 Clear anodized.

Standard Package

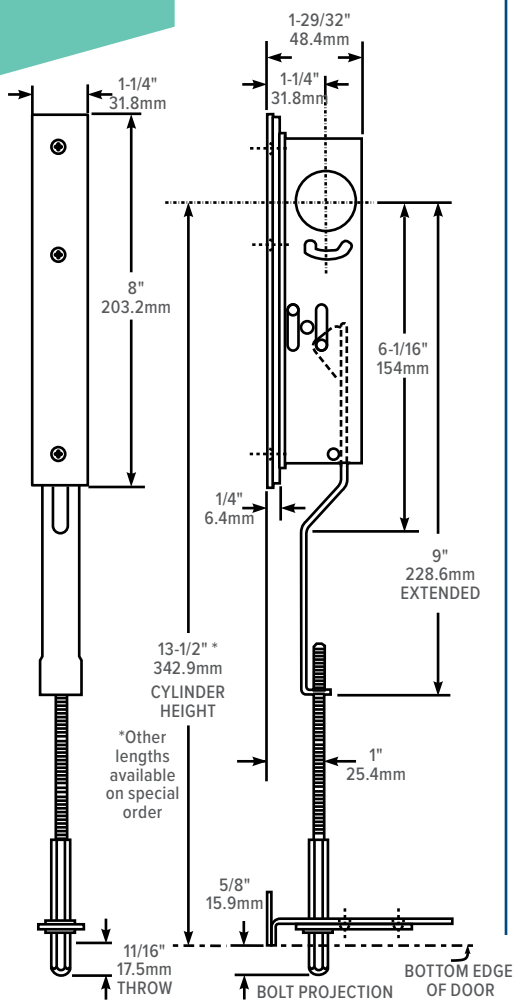
Flushlock mechanism boxed with actuator arm attached, rod/bolt assembly unattached. Stainless steel bolt guide, mounting screws, and installation instructions included. Cylinder available separately.

Shipping Weight

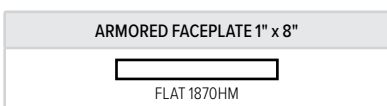
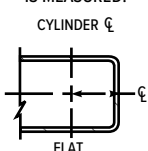
1-1/4 lbs [.57 kg].

All measurements are approximate and are provided for informational purposes only. Refer to the product Installation Instructions.

Dimensions

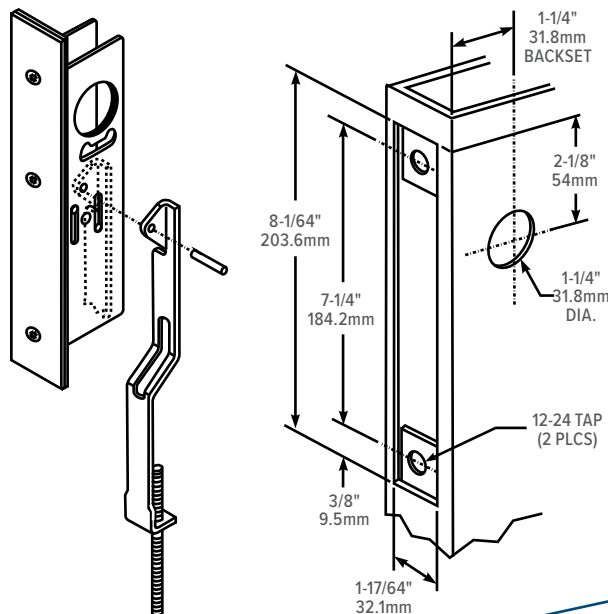


HOW BACKSET IS MEASURED:

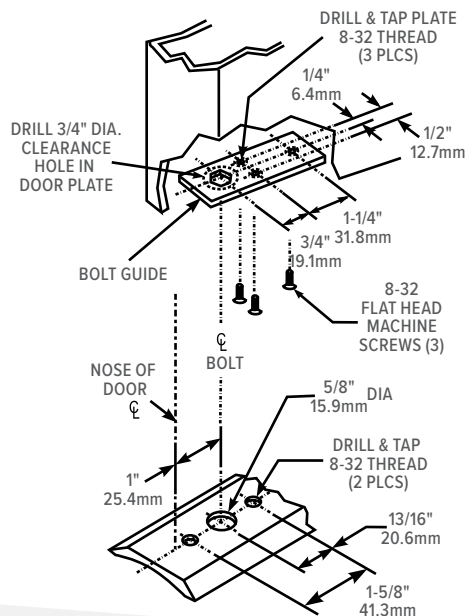


Door Preparation

For installation locking threshold.
Invert for header locking.



Lock & Cylinder Installation



How to Order & Related Products

1870HM Cylinder-Operated Flushbolt: Specify quantity and the following information. Order related products separately.

MODEL	FACEPLATE SHAPE	FINISH
187	OHM	- 628
	OHM Flat	313 Dark Bronze Anodized
		335 Black Anodized
		628 Clear Anodized

RELATED When purchasing this product, please consider the following related products, available separately:

CYLINDERS	ACCESSORIES	SPECIAL ORDER OPTIONS
Standard 1" length, 1-5/32" diameter mortise cylinder with MS® cam such as 4036 Mortise Cylinder, 4066 Thumbturn MS4043 Cylinder Guard	4104 Mounting Bridge, 91-0965 Mounting Kit for radiused door, 91-0966 Mounting Kit for beveled door, 26-00090XX Tube Spacer	Other cylinder height / length available by special order. Please contact factory.