

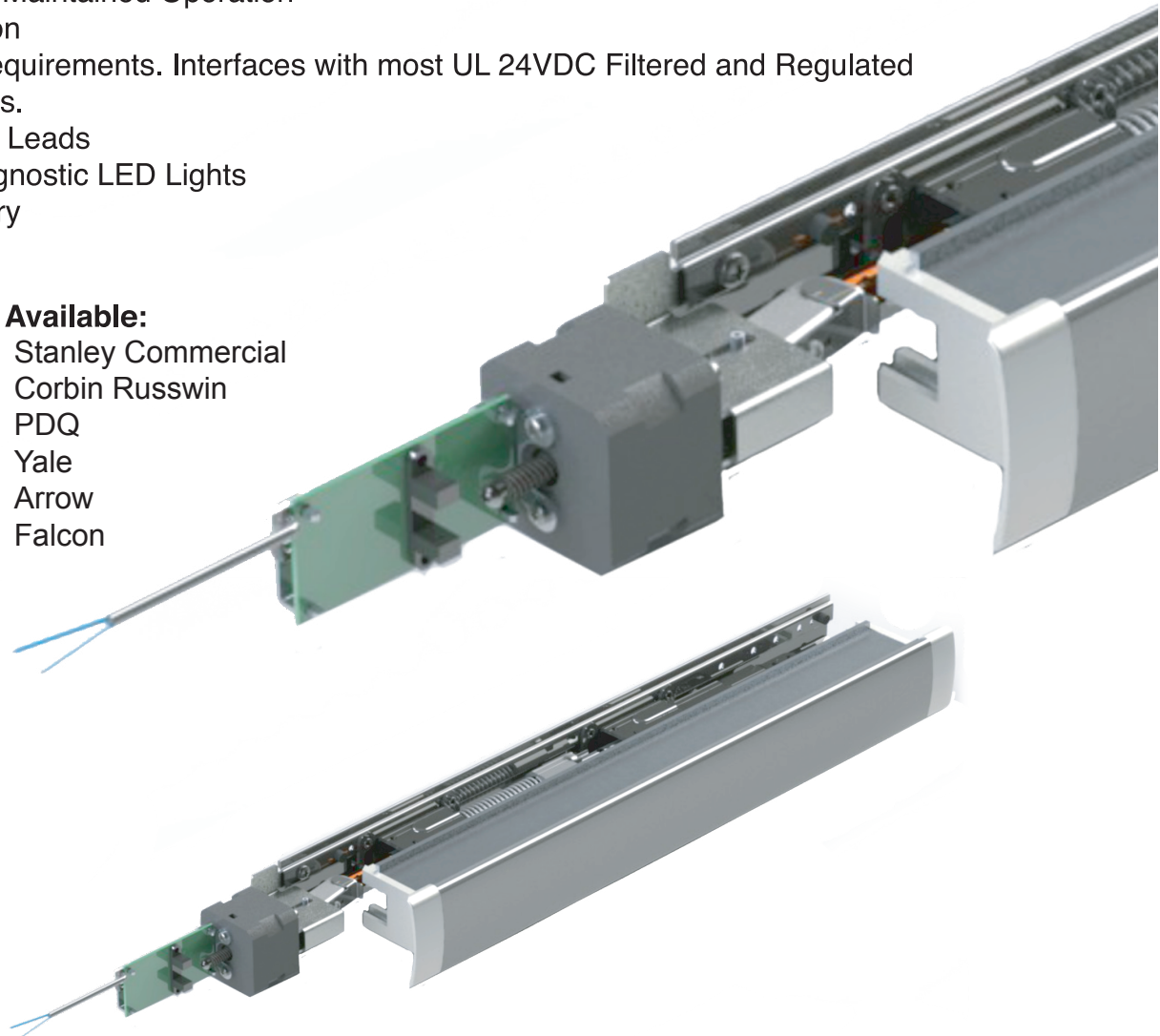
LOCK INTO THE ACSI ADVANTAGE

1550K-MD Motor Drive Electric Latch Retraction Kit

- All models UL Listed
- For Use on Fire Rated and Panic Devices
- Simultaneous Latch Retraction and Dogging (Pushpad Depressed) on All Devices.
- Field or Factory Installed
- Momentary or Maintained Operation
- Quiet Operation
- Low Power Requirements. Interfaces with most UL 24VDC Filtered and Regulated Power Supplies.
- Non-Polarized Leads
- On-Board Diagnostic LED Lights
- Automatic Retry

Manufacturers Available:

Von Duprin	Stanley Commercial
Hager	Corbin Russwin
Dorma	PDQ
Precision	Yale
Sargent	Arrow
	Falcon



For more information contact the factory at 1-800-753-5558 or visit www.acsi-inc.com