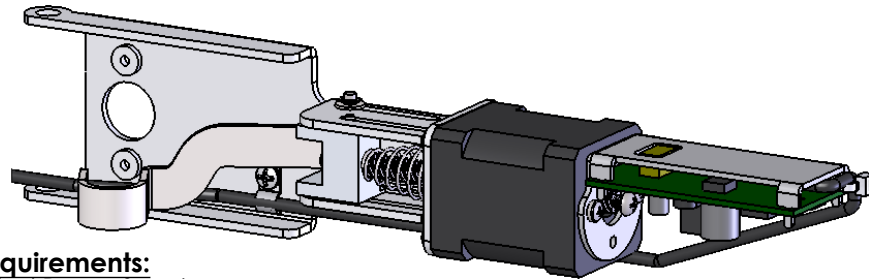


Allowable Cutoff From Device Length	
Standard 36"	Standard 48"
9.00"	12.00"

INSTALLATION INSTRUCTIONS 1550K-MDS MOTOR DRIVE ELECTRIC LATCH RETRACTION KIT

FOR USE WITH SARGENT 80 SERIES EXIT DEVICES
FOR USE WITH ARROW 1000, 3000, AND 4000 SERIES EXIT DEVICES



2-Conductor Wire Run	
Distance	Wire Gauge
70'	22
110'	20
180'	18
280'	16
450'	14
720'	12

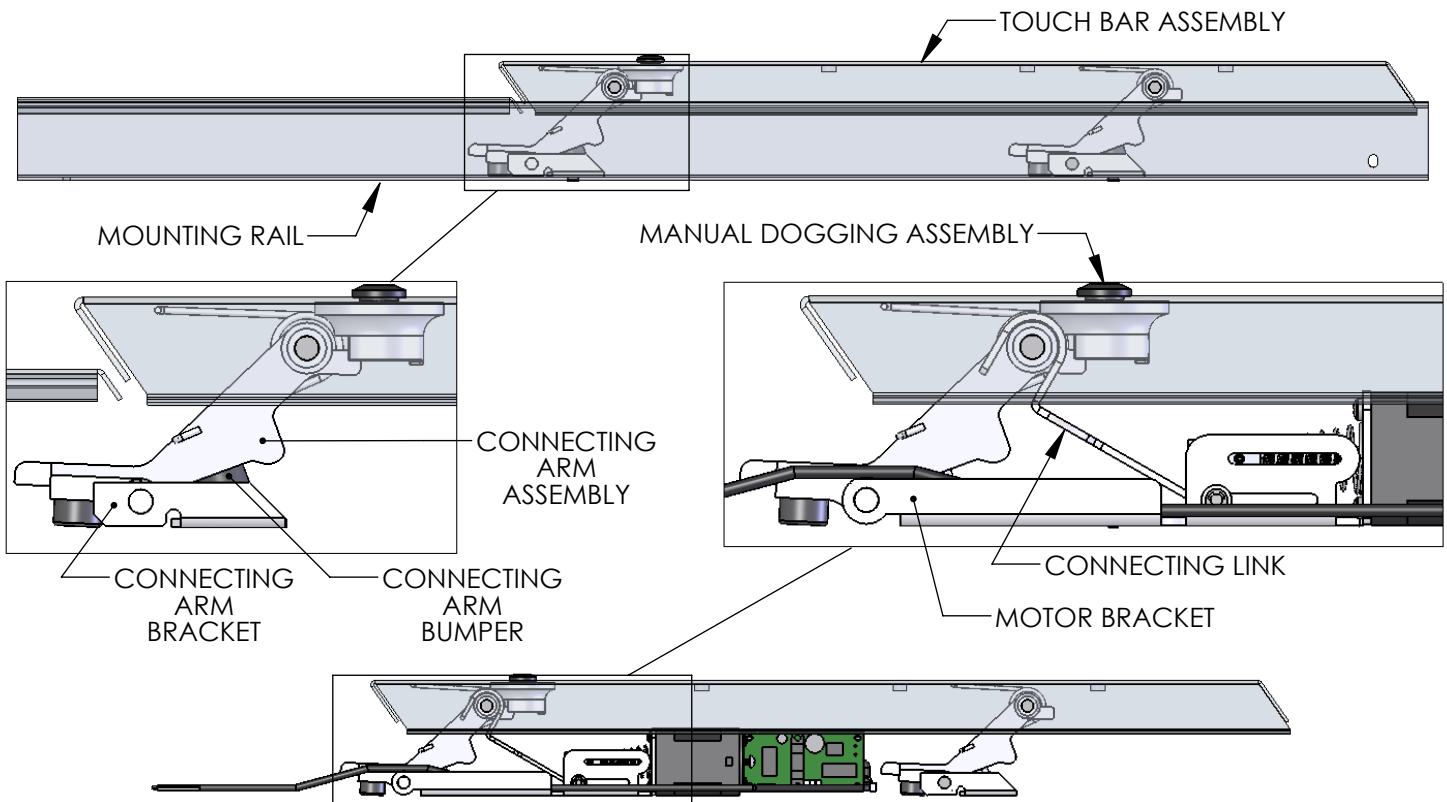
Electrical Input Requirements:

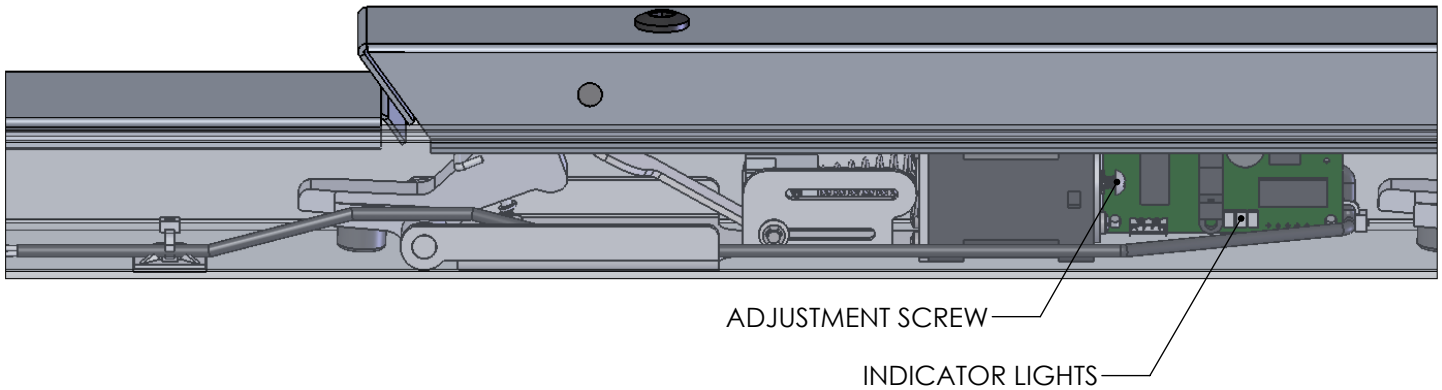
Filtered and Regulated Power Supply
Voltage: 24VDC \pm 10%
Current: 1A MAX Inrush, 400mA MAX Holding
Non-polarized Leads

PROVIDES SIMULTANEOUS ELECTRIC LATCH RETRACTION AND DOGGING (TOUCH BAR DEPRESSED)

Installation:

1. Separate the mounting rail from the touch bar assembly.
2. Remove and discard the connecting arm bumper from both the front and rear connecting arm assemblies.
3. Remove and discard the connecting arm bracket from the rear connecting arm assembly.
4. Separate the manual dogging assembly, if present, from the touch bar assembly.
5. Locate the 1550K-MDS Kit near the rear connecting arm assembly.
6. Attach the connecting link to the rear connecting arm assembly.
7. Attach the motor bracket to the rear connecting arm assembly.
8. Attach the manual dogging assembly, if present, to the touch bar assembly.





Installation (Cont.):

9. Route the lead wires over the rear connecting arm assembly.
10. Attach the mounting rail to the touch bar assembly.
11. Secure the lead wires to the inside of the mounting rail using the supplied ty-wrap mount and ty-wrap.
12. Apply the supplied technical assistance labels to the center chassis assembly cover and the end cap cover.
Do not remove any regulatory labels adhered to the device.

Motor Drive Electric Latch Retraction Adjustment:

1. Verify the device is properly adjusted for mechanical operation. Electric operation should not exceed the mechanical operation or there will be a high risk of damage to the device. **We suggest setting the latch retraction under electric operation at 1/16" less than the latch retraction under mechanical operation.**
2. Locate the adjustment screw in the rear of the motor assembly. Rotate the adjustment screw clockwise to increase the latch retraction or counterclockwise to decrease the latch retraction.

Onboard Indicator Light Assignments:

Maintain input power to the exit device and check the onboard indicator lights.
Remove input power before attempting a solution.

Green (Power)	Yellow (Sensor)	Red (Error)	Indication	Possible Solution
Off	Off	Off	No Power.	Connect the wiring between the power supply and the exit device.
On	On	Off	Normal Operation. The touch bar is retracted to the dogged position and dogged; the latch is retracted by default. The device is allowed 2 attempts.	
On	Off	On	Error in operation. The touch bar did not retract to the dogged position within 2 attempts.	Rotate the adjustment screw counterclockwise to decrease the latch retraction.
On	On	Blink	Error in operation. The touch bar is retracted to the dogged position but not able to remain dogged. The device is allowed 5 attempts.	Rotate the adjustment screw counterclockwise to decrease the latch retraction.
On	On	On	Error in operation. Without power being removed, the touch bar went from being dogged to unintentionally being extended, and then the touch bar did not retract to the dogged position within 2 attempts.	Cycle the input power.
On	Blink	On	Error in operation. The touch bar did not extend from the dogged position when the power was last removed. The device will not attempt a retraction.	Clear the jam condition manually and cyle the input power.