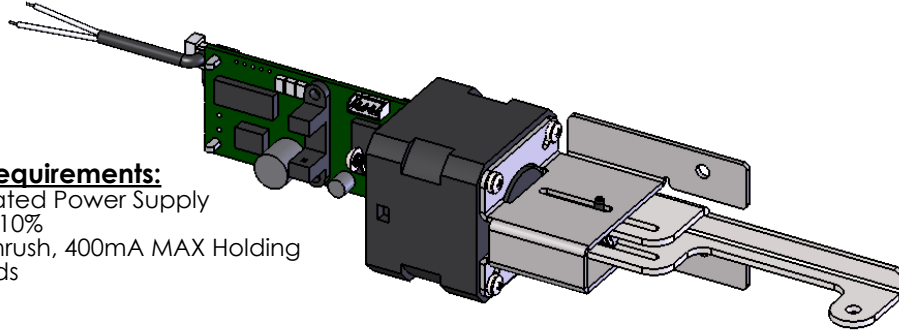


Allowable Cutoff From Device Length	
Standard 36"	Standard 48"
2.00"	2.00"

## INSTALLATION INSTRUCTIONS 1550K-MDO MOTOR DRIVE ELECTRIC LATCH RETRACTION KIT

FOR USE WITH FALCON DOR-O-MATIC 1690 AND 1790 SERIES EXIT DEVICES  
FOR USE WITH FIRST CHOICE 3600 AND 3700 SERIES EXIT DEVICES



2-Conductor Wire Run	
Distance	Wire Gauge
70'	22
110'	20
180'	18
280'	16
450'	14
720'	12

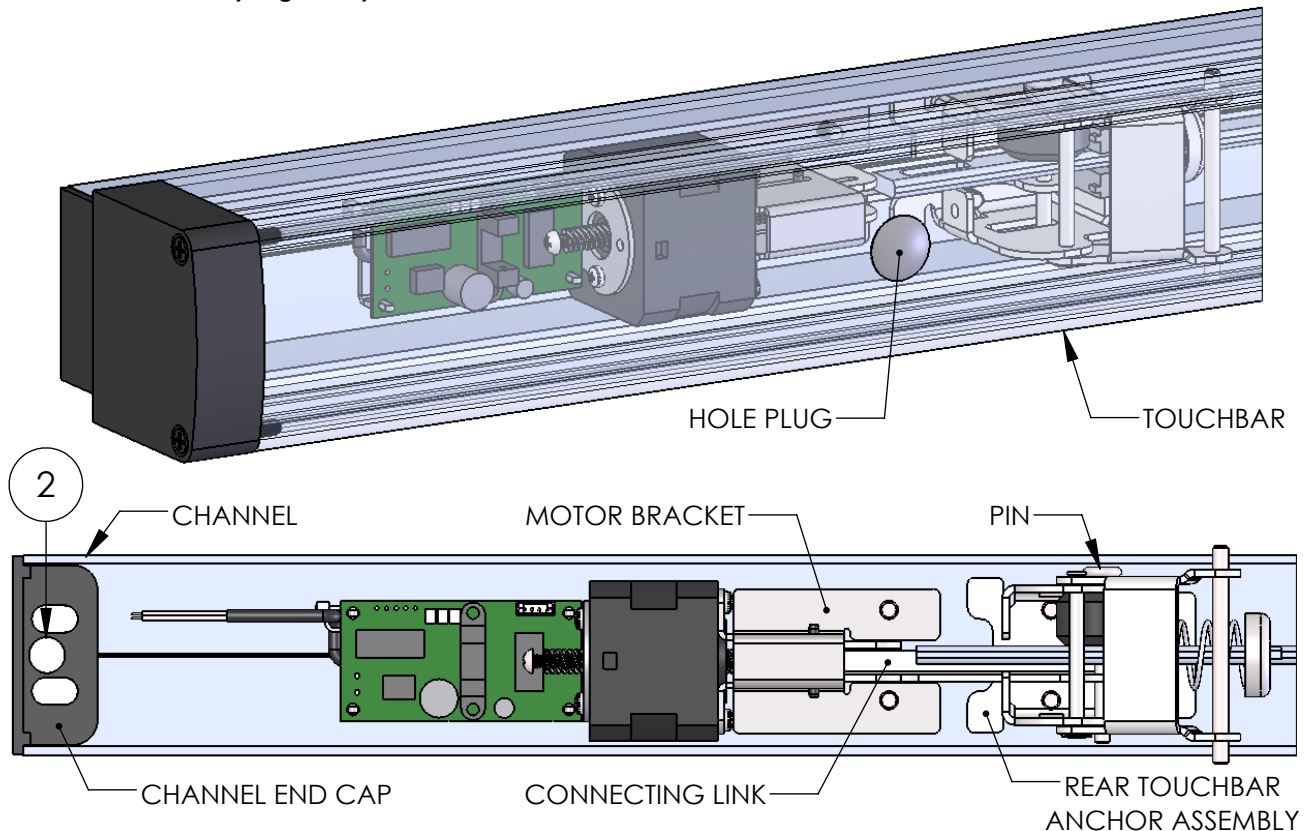
### Electrical Input Requirements:

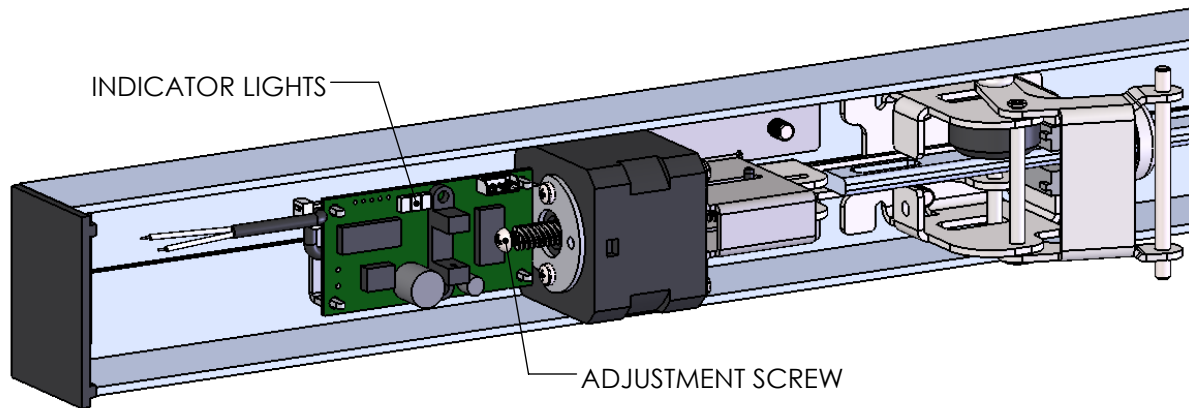
Filtered and Regulated Power Supply  
Voltage: 24VDC  $\pm$  10%  
Current: 1A MAX Inrush, 400mA MAX Holding  
Non-polarized Leads

PROVIDES SIMULTANEOUS ELECTRIC LATCH RETRACTION AND DOGGING (TOUCHBAR DEPRESSED)

### Installation:

1. Separate the touchbar from the exit device.
2. Drill a 3/8" diameter hole through the channel end cap and channel for wire access from the power supply to the exit device.
3. Remove the manual dogging assembly from the channel and discard, but keep the screws.
4. Remove the screws that secure the rear touchbar anchor assembly to the channel for pin access.
5. Locate the 1550K-MDO Kit near the holes that secured the manual dogging assembly.
6. Attach the connecting link to the pin of the rear touchbar anchor assembly.
7. Attach the rear touchbar anchor assembly to the channel.
8. Attach the motor bracket to the channel using the manual dogging assembly screws through the holes that secured the manual dogging assembly.
9. Attach the touchbar to the exit device.
10. Install the supplied hole plug into the manual dogging hole of the touchbar.
11. Apply the supplied technical assistance labels to the center case cover and the hinge style end cap.  
**Do not remove any regulatory labels adhered to the device.**





**Motor Drive Electric Latch Retraction Adjustment:**

1. Verify the device is properly adjusted for mechanical operation. Electric operation should not exceed the mechanical operation or there will be a high risk of damage to the device. **We suggest setting the latch retraction under electric operation at 1/16" less than the latch retraction under mechanical operation.**
2. Locate the adjustment screw in the rear of the motor assembly. Rotate the adjustment screw clockwise to increase the latch retraction or counterclockwise to decrease the latch retraction.

**Onboard Indicator Light Assignments:**

Maintain input power to the exit device and check the onboard indicator lights.

**Remove input power before attempting a solution.**

Green (Power)	Yellow (Sensor)	Red (Error)	Indication	Possible Solution
Off	Off	Off	No Power.	Connect the wiring between the power supply and the exit device.
On	On	Off	Normal Operation. The touchbar is retracted to the dogged position and dogged; the latch is retracted by default. The device is allowed 2 attempts.	
On	Off	On	Error in operation. The touchbar did not retract to the dogged position within 2 attempts.	Rotate the adjustment screw counterclockwise to decrease the latch retraction.
On	On	Blink	Error in operation. The touchbar is retracted to the dogged position but not able to remain dogged. The device is allowed 5 attempts.	Rotate the adjustment screw counterclockwise to decrease the latch retraction.
On	On	On	Error in operation. Without power being removed, the touchbar went from being dogged to unintentionally being extended, and then the touchbar did not retract to the dogged position within 2 attempts.	Cycle the input power.
On	Blink	On	Error in operation. The touchbar did not extend from the dogged position when the power was last removed. The device will not attempt a retraction.	Clear the jam condition manually and cycle the input power.